



US00D989187S

(12) **United States Design Patent** (10) **Patent No.:** **US D989,187 S**
Lu (45) **Date of Patent:** **** Jun. 13, 2023**

(54) **ABDOMINAL EXERCISING HULA HOOP**

(71) Applicant: **Xiaoqiang Lu**, Zhejiang (CN)

(72) Inventor: **Xiaoqiang Lu**, Zhejiang (CN)

(**) Term: **15 Years**

(21) Appl. No.: **29/782,967**

(22) Filed: **May 10, 2021**

(30) **Foreign Application Priority Data**

Jan. 13, 2021 (CN) 202130023210.3

(51) **LOC (14) Cl.** **21-01**

(52) **U.S. Cl.**

USPC **D21/457**; D21/662; D21/683

(58) **Field of Classification Search**

USPC D21/420, 455, 457, 465, 466, 662, 683,
D21/680, 691, 694, 797; D24/200, 211,
D24/215; D30/160

CPC . A63B 19/00; A63B 21/0004; A63B 21/0608;
A63B 21/002; A63B 21/4009; A63B
21/068; A63B 21/065

See application file for complete search history.

(56) **References Cited**

U.S. PATENT DOCUMENTS

- 3,348,333 A * 10/1967 Cascioli A63B 19/00
473/576
- 3,509,660 A * 5/1970 Seymour A63B 21/0608
473/576
- D882,888 S * 4/2020 Steinkraus A63B 19/02
D30/121
- D937,357 S * 11/2021 Ju D21/457
- 11,173,336 B1 * 11/2021 Xu A63B 21/0608
- D953,663 S * 5/2022 Soto D30/160
- D954,857 S * 6/2022 Yang D21/662
- 11,446,533 B1 * 9/2022 Xu A61H 15/00
- D965,693 S * 10/2022 Li A63B 21/0608
D21/457

D965,705 S * 10/2022 Yang A63B 21/0618
D21/683

D969,240 S * 11/2022 Hu A63B 21/222
D21/683

2014/0342882 A1 * 11/2014 Huang A63B 21/222
482/110

2016/0332018 A1 * 11/2016 Granat H05B 45/00

2017/0100620 A1 * 4/2017 Hsiao A63B 21/0618

(Continued)

FOREIGN PATENT DOCUMENTS

- CN 306563520 * 5/2021
- GB 6142617 * 6/2021
- JP D1709359 * 3/2022

OTHER PUBLICATIONS

Swiss Activa+ Infinity Hoop Smart Weighted Hula Hoop, amazon.com, first available date Feb. 13, 2022 [online], [site visited date Nov. 8, 2022], Available from the internet, URL: <https://www.amazon.com/Swiss-Activa-Smart-Hula-Hoop/dp/B0995Y2FFP> (Year: 2022).*

(Continued)

Primary Examiner — Samantha Q Lawrence

Assistant Examiner — Thanh Luu Wong

(57) **CLAIM**

The ornamental design for an abdominal exercising hula hoop, as shown.

DESCRIPTION

FIG. 1 is a front elevational view of an abdominal exercising hula hoop showing my new design;
FIG. 2 is a rear elevational view thereof;
FIG. 3 is a left side view thereof;
FIG. 4 is a right side view thereof;
FIG. 5 is a perspective view thereof; and,
FIG. 6 is another perspective view thereof.

1 Claim, 6 Drawing Sheets



FIG. 1

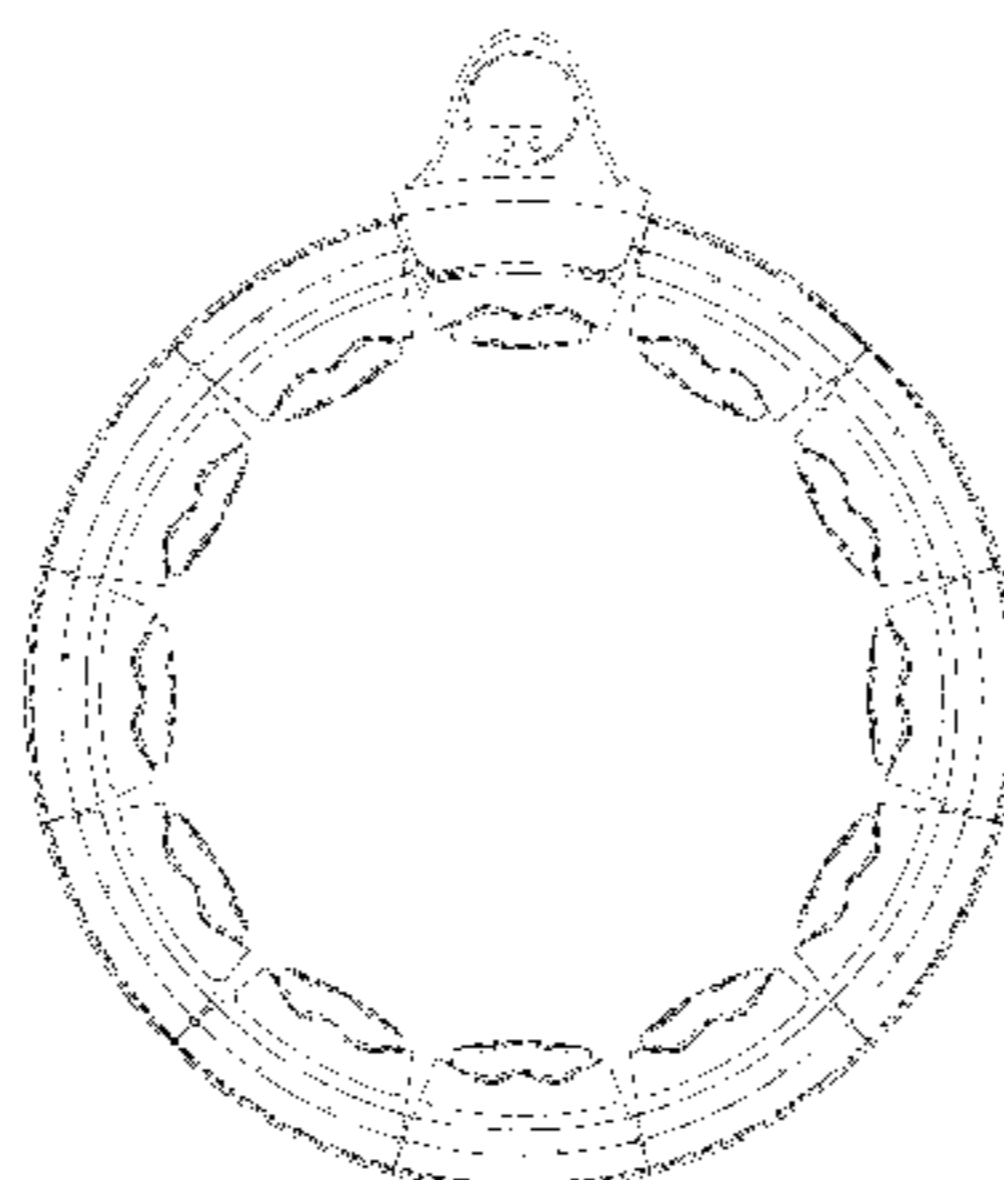


FIG. 2

(56)

References Cited

U.S. PATENT DOCUMENTS

2021/0252323 A1* 8/2021 Lu A63B 21/151
2021/0299508 A1* 9/2021 Gupilan, Sr. A63B 19/02

OTHER PUBLICATIONS

Swiss Activa+ Infinity Hoop Smart Weighted Hula Hoop With Digital Counter, swissactiva.com, [online], [site visited date Nov. 8, 2022], Available from the internet, URL: <https://swissactiva.com/products/smart-hula-hoop-with-digital-watch> (Year: 2022).*

Ubuy Swiss Activa+ Infinity Hoop, guinea.ubuy.com, first available Jun. 12, 2022 [online], [site visited Nov. 8, 2022], Available from the internet, URL: <https://bit.ly/3GI78Th> (Year: 2022).*

Screen captures from YouTube video clip entitled "Swiss Activa+ Smart Hula Hoop," uploaded on Apr. 24, 2022 by user "Swiss Activa+". Retrieved from Internet: <<https://www.youtube.com/watch?v=r1LcAS6541w>> (Year: 2022).*

Sports Hoops Yoga Home Fitness , aliexpress.com, [online], [site visited date Nov. 8, 2022], Available from the internet, URL: <https://www.aliexpress.com/i/3256803166418235.html> (Year: 2022).*

ZXKQ Intelligent Magnetic Therapy Adjustable Hula Hoop, amazon.co.uk, first available date Jun. 26, 2021 [online], [site visited date Nov. 8, 2022], Available from the internet, URL: <https://www.amazon.co.uk/Intelligent-Magnetic-Adjustable-Equipment-Beginners/dp/B097ZXGT3N> (Year: 2021).*

ANNPLUS O2 Waist Training Hoop Set, amazon.com, first available date Sep. 1, 2021 [online], [site visited date Nov. 8, 2022], Available from the internet, URL: <https://www.amazon.com/ANNPLUS-Training-Headband-24-5-53-5-Equipment/dp/B09FDXJM57?th=1> (Year: 2021).*

* cited by examiner

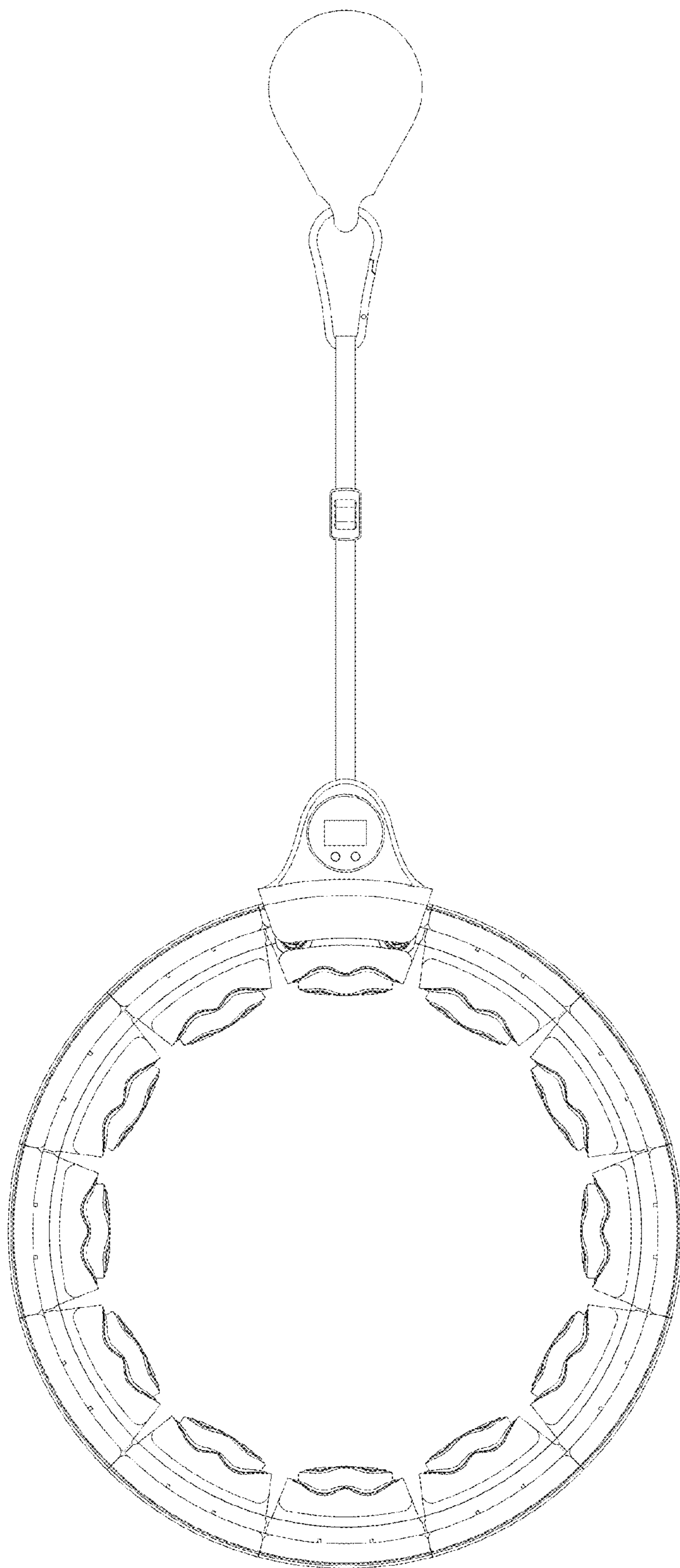


FIG. 1

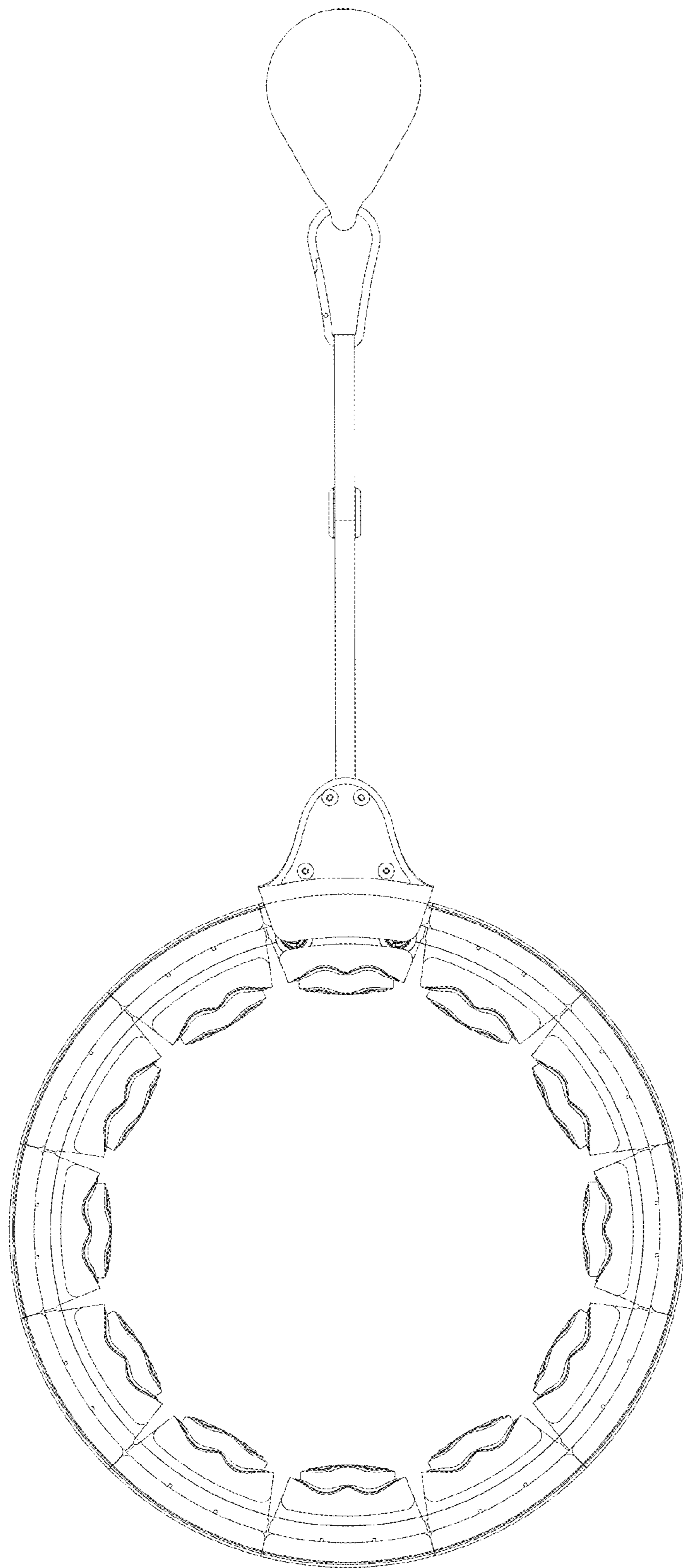


FIG. 2

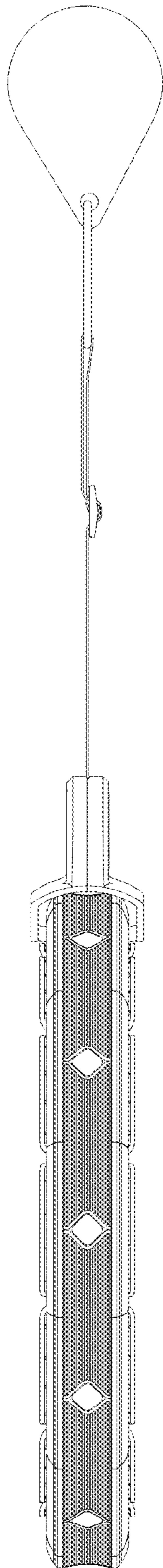


FIG. 3

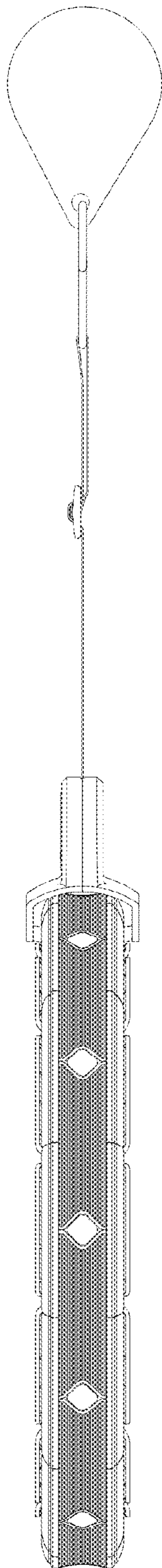


FIG. 4

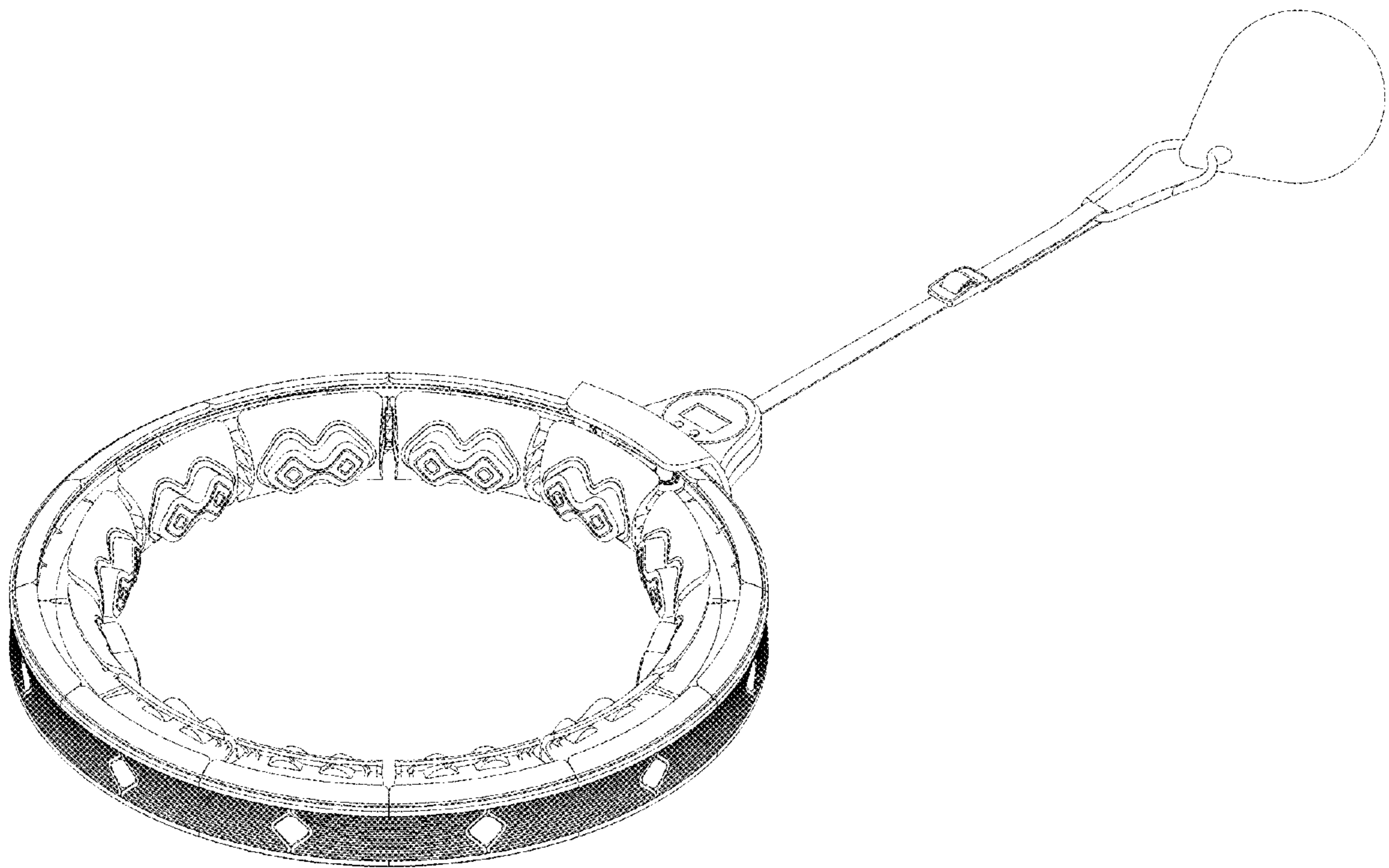


FIG. 5

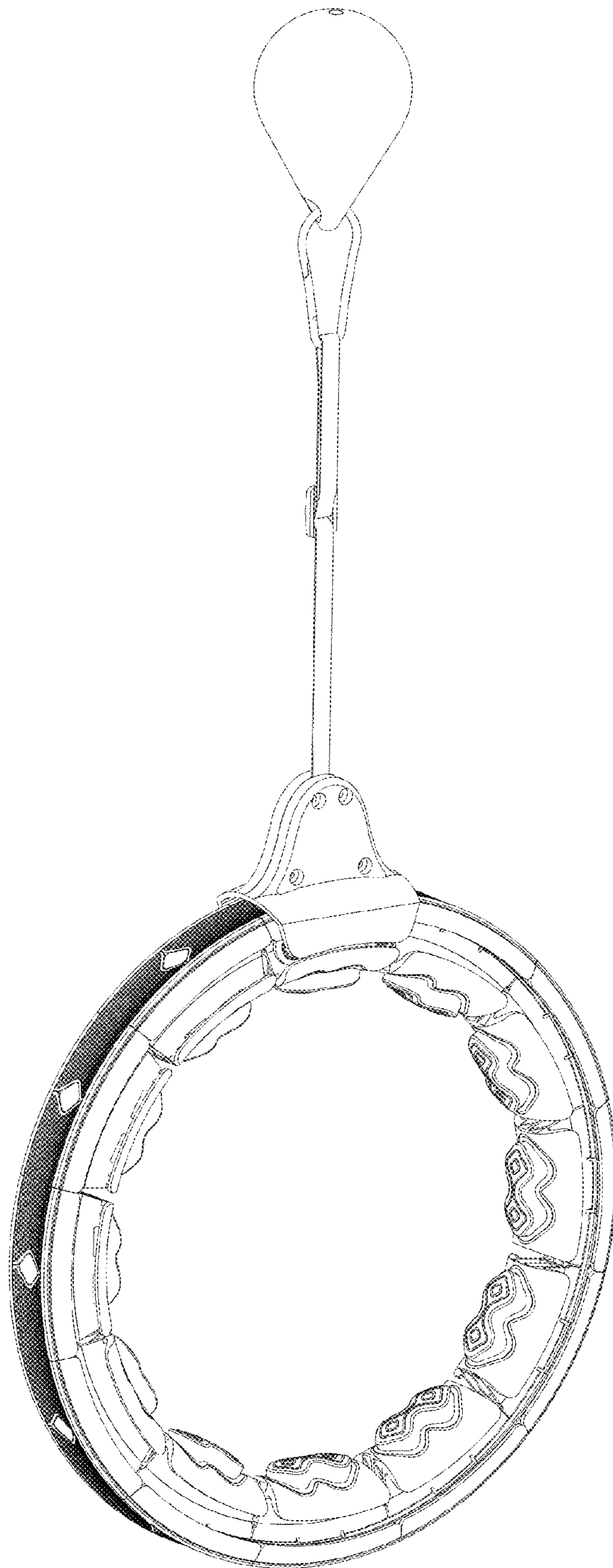


FIG. 6