



US00D989184S

(12) **United States Design Patent**
Neumann

(10) **Patent No.:** **US D989,184 S**
(45) **Date of Patent:** **** Jun. 13, 2023**

- (54) **BLOCK STACKING GAME**
- (71) Applicant: **Alexander Neumann**, Dorchester, MA (US)
- (72) Inventor: **Alexander Neumann**, Dorchester, MA (US)
- (73) Assignee: **Alexander Neumann**, Dorchester, MA (US)

D270,800 S * 10/1983 Fuller D21/491
 4,522,404 A * 6/1985 Di Gregorio A63H 33/04
 446/124
 D413,361 S * 8/1999 Silvey D21/478
 (Continued)

(**) Term: **15 Years**

(21) Appl. No.: **29/798,104**
 (22) Filed: **Jul. 6, 2021**

- (51) **LOC (14) Cl.** **21-01**
- (52) **U.S. Cl.**
USPC **D21/386**; D21/478; D21/480; D21/484
- (58) **Field of Classification Search**
USPC D21/366, 368, 386, 389, 393, 478, 479,
D21/480, 484
CPC A63H 33/04; A63H 33/044; A63H 33/048;
A63H 33/06; A63H 33/062; A63H
33/067; A63H 33/08; A63H 33/084;
A63H 33/082; A63H 33/086; A63H
33/088; A63H 33/108
See application file for complete search history.

FOREIGN PATENT DOCUMENTS

GB 3104606 * 10/2020

OTHER PUBLICATIONS

JaxoJoy, Foam Building Blocks, published on Dec. 6, 2017 [online]. Retrieved from internet (Date: Jan. 13, 2023), https://www.amazon.com/JaxoJoy-Foam-Building-Blocks-Recommended/dp/B072QZLD5Y/ref=cm_cr_ar_p_d_product_top?ie=UTF8 (Year: 2017).*
 (Continued)

Primary Examiner — Katherine A Holbrow
Assistant Examiner — Riya Salil Kamat
 (74) *Attorney, Agent, or Firm* — Soroker Agmon Nordman Riba

(57) **CLAIM**
 The ornamental design for a block stacking game, as shown and described.

DESCRIPTION

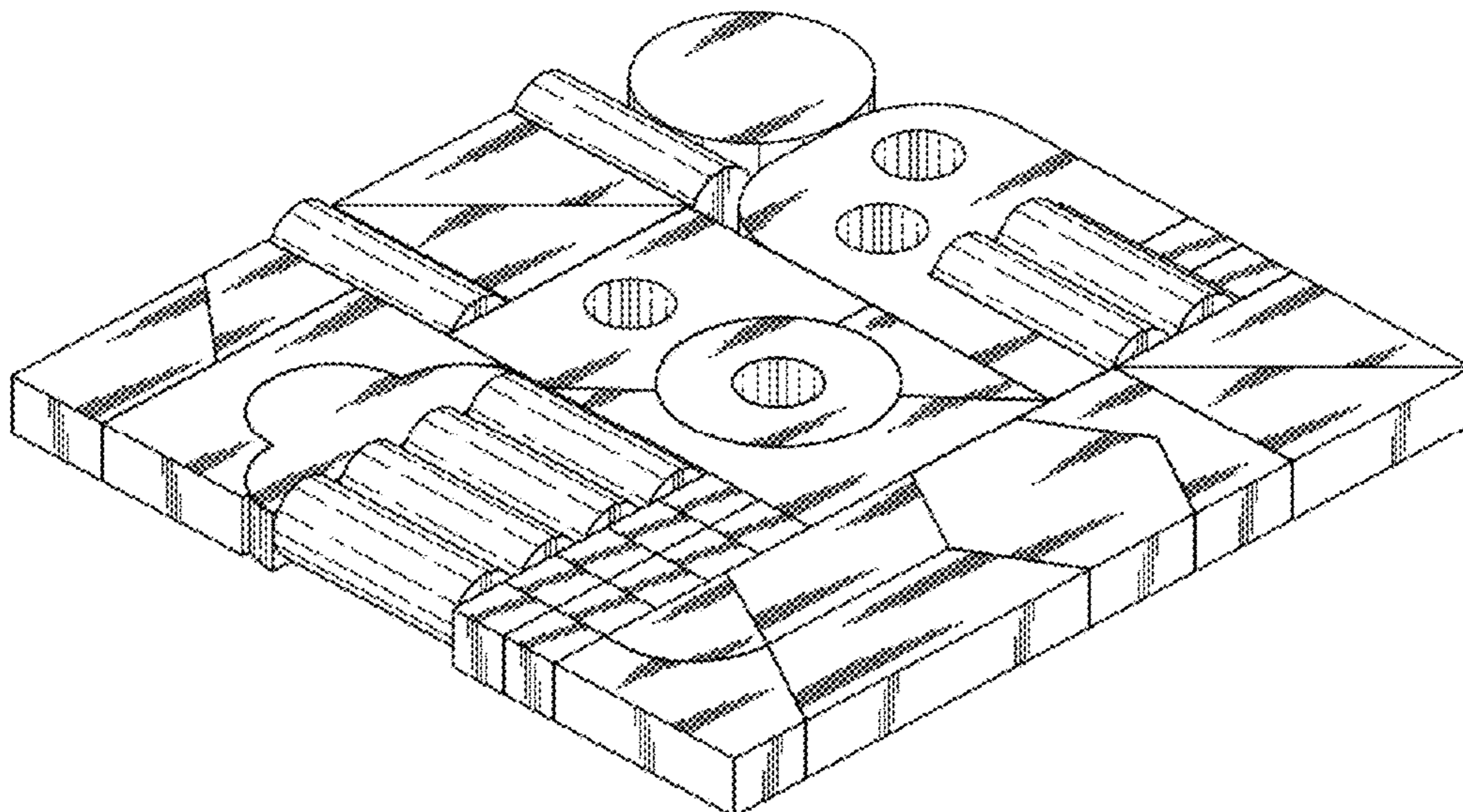
FIG. 1 is a top perspective view of the block stacking game; FIG. 2 is a top perspective exploded view thereof; FIG. 3 is a top view thereof; FIG. 4 is a bottom view thereof; FIG. 5 is a right side view thereof; FIG. 6 is a left side view thereof; FIG. 7 is a back view thereof; and, FIG. 8 is a front view thereof.

The claim is directed to the collective appearance of the block stacking game set shown in the figures. The components of the set are arranged on the drawing sheet for the convenience of illustration, and the relative positioning of the block stacking game forms no part of the claimed design.

(56) **References Cited**
U.S. PATENT DOCUMENTS

- D108,659 S * 3/1938 Koerschgen 273/157 R
- D128,374 S * 7/1941 Herman D21/480
- 3,863,918 A * 2/1975 Kramer A63H 33/04
446/85
- D235,039 S * 5/1975 Olsen D6/335
- D243,202 S * 1/1977 Guignard D21/365
- D262,388 S * 12/1981 Bogue 273/157 R
- 4,307,886 A * 12/1981 Kemper A63F 9/34
428/33

1 Claim, 6 Drawing Sheets



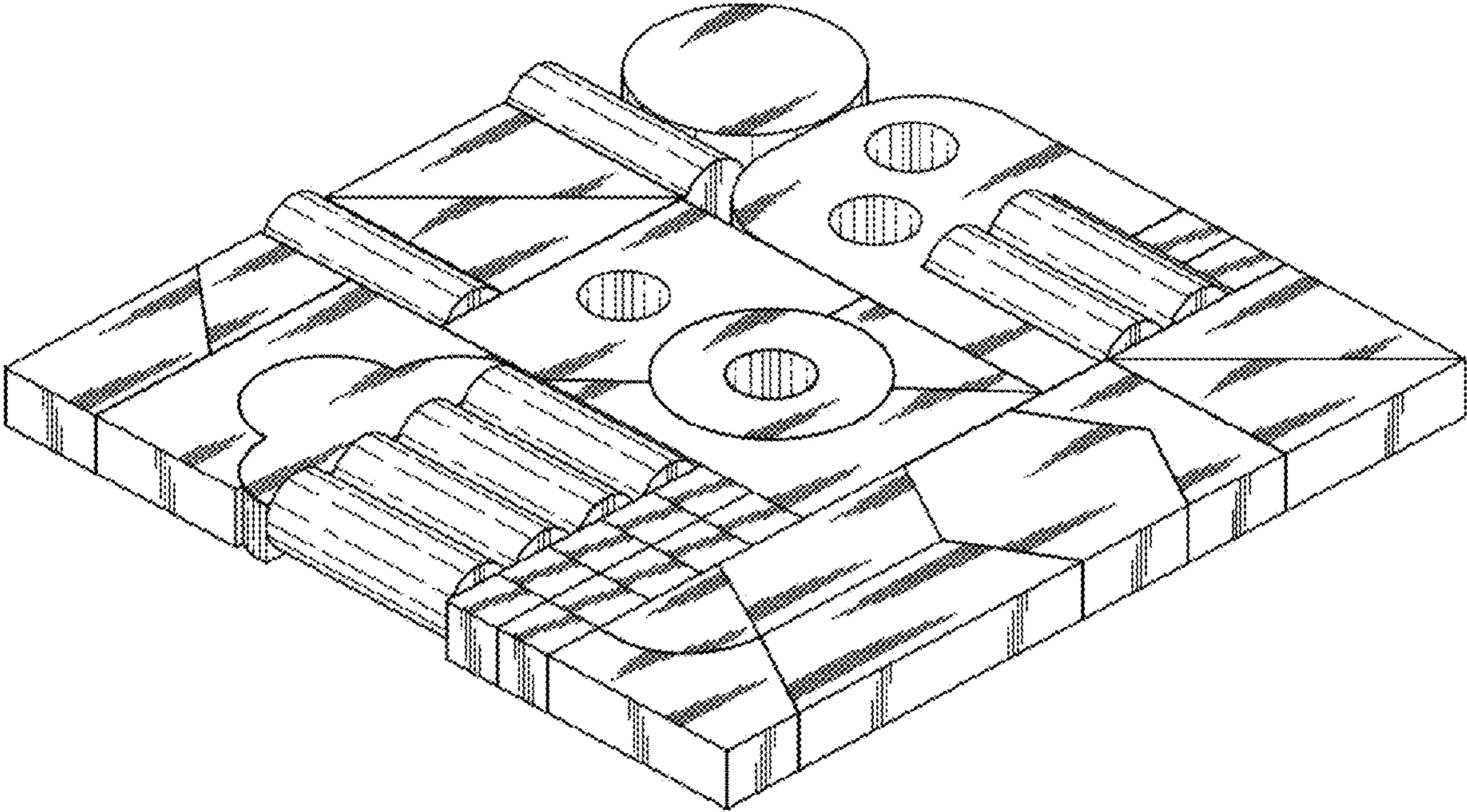


FIG. 1

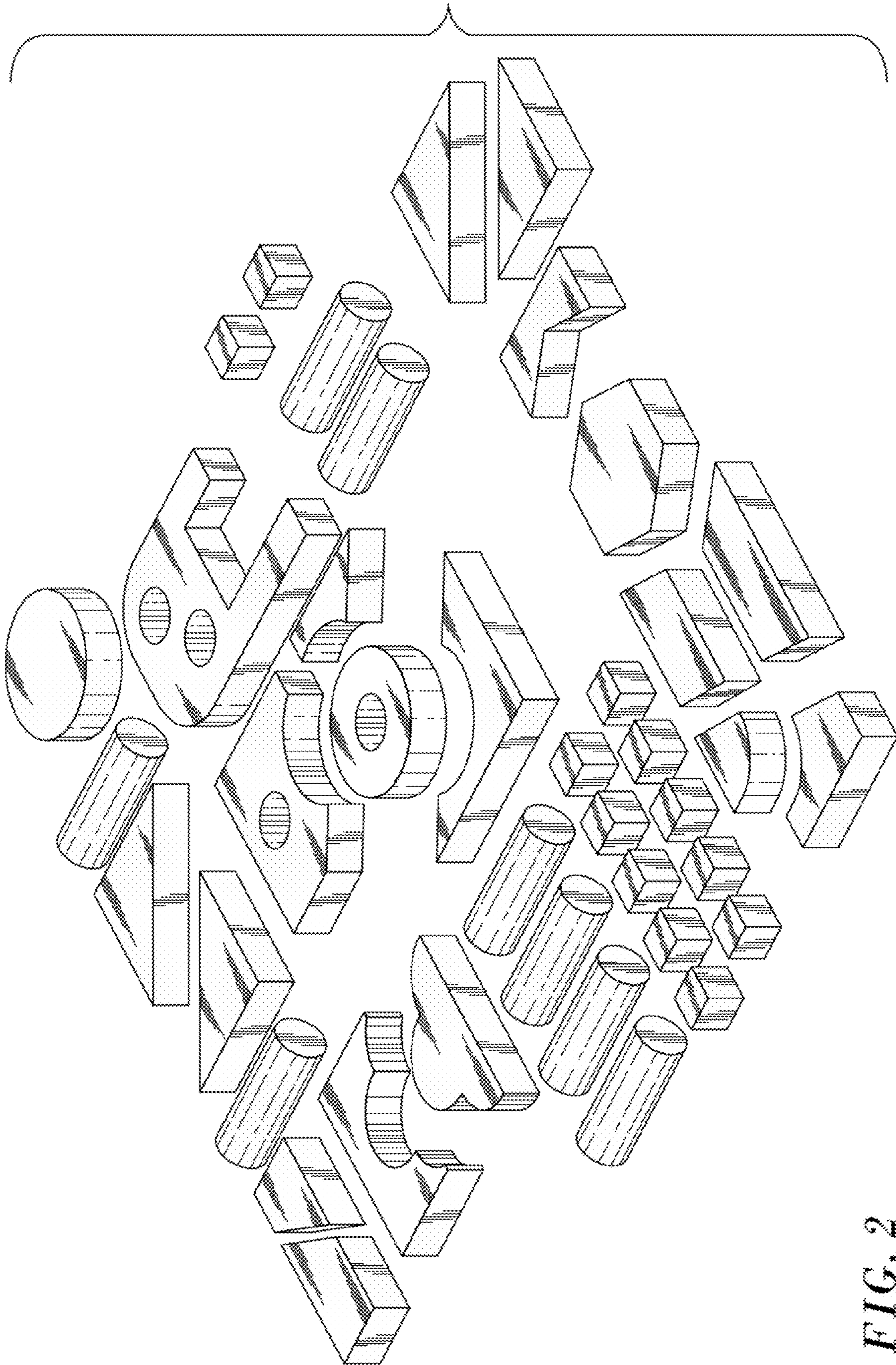


FIG. 2

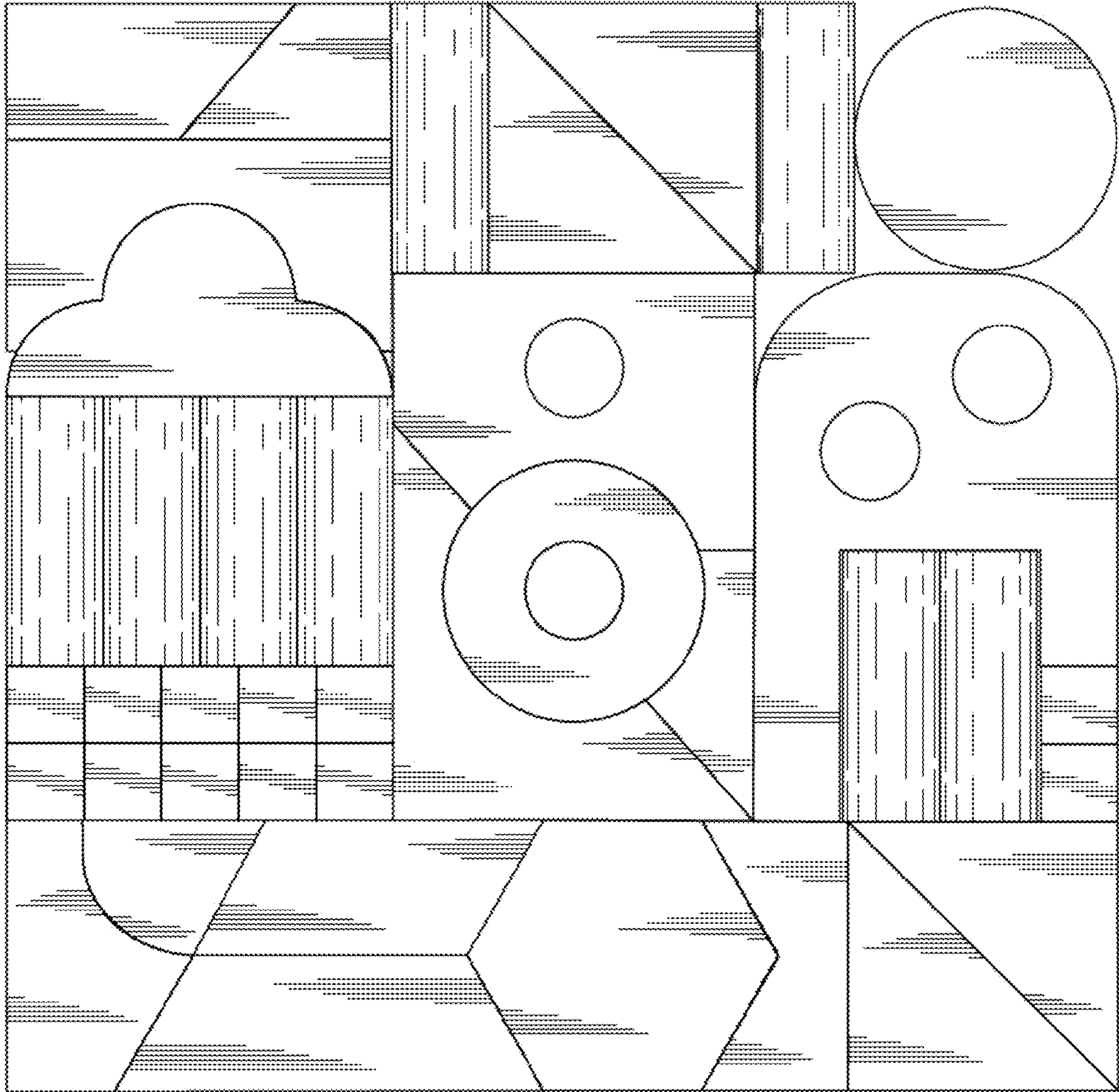


FIG. 3

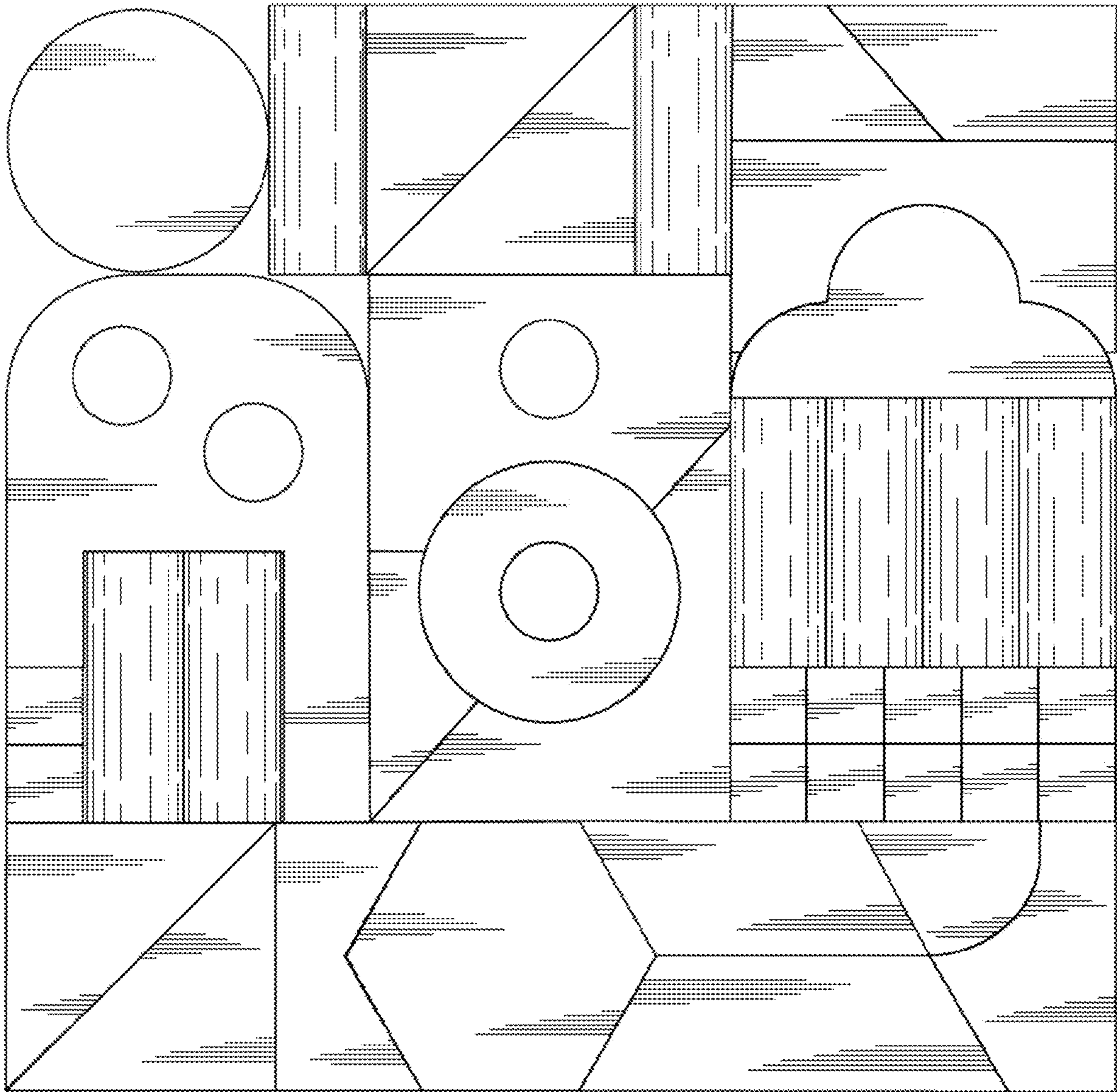


FIG. 4

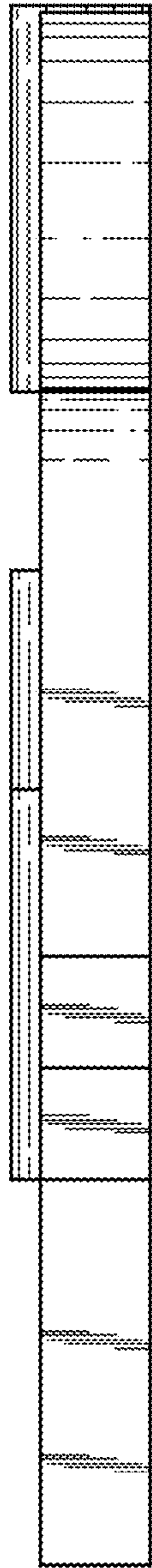


FIG. 5

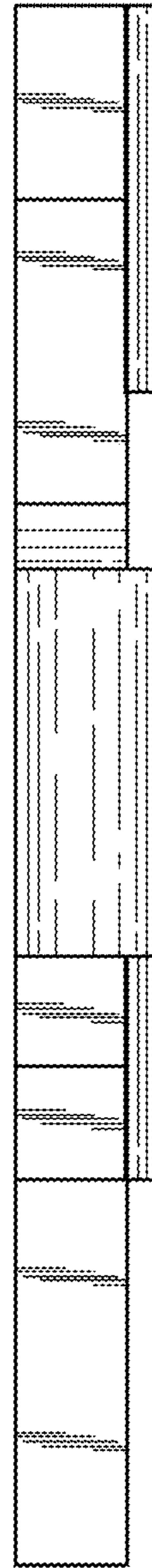


FIG. 6

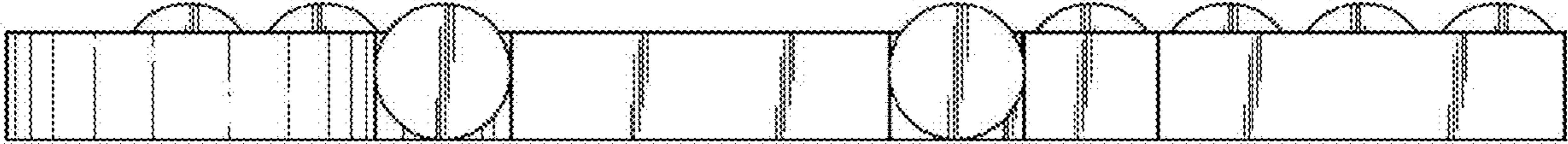


FIG. 7

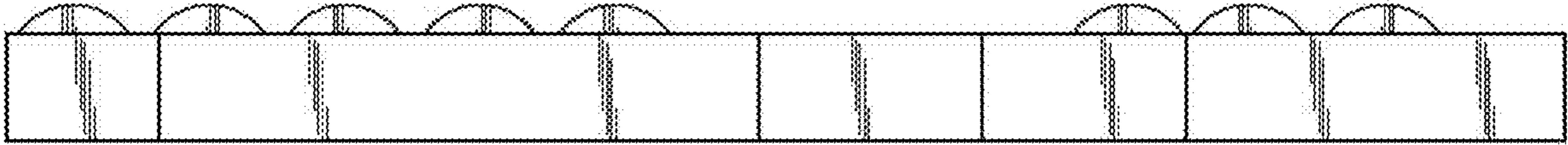


FIG. 8