



US00D989182S

(12) **United States Design Patent**
Conrad

(10) **Patent No.:** **US D989,182 S**
(45) **Date of Patent:** **** Jun. 13, 2023**

(54) **STEERING WHEEL FOR ELECTRONIC GAME DEVICES**

(71) Applicant: **Endor AG**, Landshut (DE)

(72) Inventor: **Bernhard Conrad**, Buch am Erlbach (DE)

(**) Term: **15 Years**

(21) Appl. No.: **35/512,962**

(22) Filed: **Sep. 3, 2021**

(80) **Hague Agreement Data**

Int. Filing Date: **Sep. 3, 2021**
Int. Reg. No.: **DM/217338**
Int. Reg. Date: **Sep. 3, 2021**
Int. Reg. Pub. Date: **Nov. 19, 2021**

(30) **Foreign Application Priority Data**

Mar. 29, 2021 (EM) 008480479

(51) **LOC (14) Cl.** **21-01**

(52) **U.S. Cl.**
USPC **D21/333**

(58) **Field of Classification Search**

USPC D21/324, 333; D14/384, 385, 388, 389,
D14/390, 412, 413, 414, 415, 416, 417,
D14/454, 455; D12/175, 176, 177
CPC A63F 13/20; A63F 13/24; A63F 13/98;
A63F 13/245

See application file for complete search history.

(56) **References Cited**

U.S. PATENT DOCUMENTS

D427,600 S * 7/2000 Probstel D14/414
D592,114 S * 5/2009 Tombazis D12/176

D708,675 S * 7/2014 Delrue D21/333
D737,184 S * 8/2015 Oosuda D12/175
D813,123 S * 3/2018 Allison D12/175
D856,227 S * 8/2019 Mariotti D12/175
D867,237 S * 11/2019 Resta D12/175
D909,004 S * 1/2021 Brendel D21/333
D911,447 S * 2/2021 Conrad D21/333
D918,106 S * 5/2021 Mignot D12/176
D931,167 S * 9/2021 Kim D12/175
D932,962 S * 10/2021 Kawahata D12/175
D944,152 S * 2/2022 Diboine D12/176
D954,840 S * 6/2022 Jackermeier D21/333
D955,489 S * 6/2022 Conrad D21/333
2017/0210603 A1 * 7/2017 Maffeis B66C 13/44

* cited by examiner

Primary Examiner — Mehri F Bajoul

(57) **CLAIM**

The ornamental design for a steering wheel for electronic game devices, as shown and described.

DESCRIPTION

The patent or application file contains at least one drawing executed in color. Copies of this patent or patent application publication with color drawing(s) will be provided by the Office upon request and payment of the necessary fee.

1. Steering wheel for electronic game devices

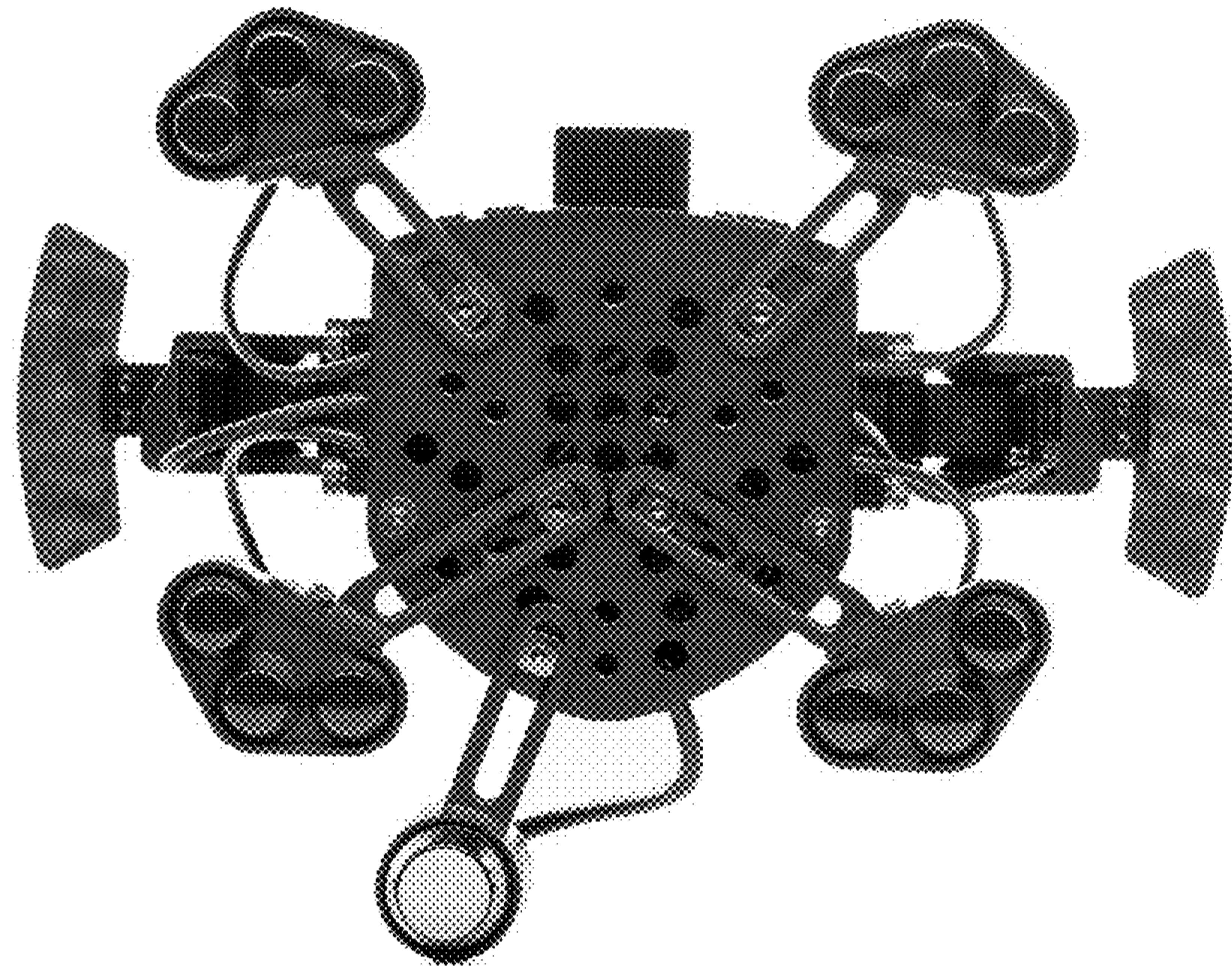
- 1.1 : Front
- 1.2 : Back
- 1.3 : Bottom
- 1.4 : Top
- 1.5 : Right
- 1.6 : Left
- 1.7 : Perspective

The color shown in the reproduction depicts a reflection on the steering wheel for electronic game devices that does not form part of the claimed design.

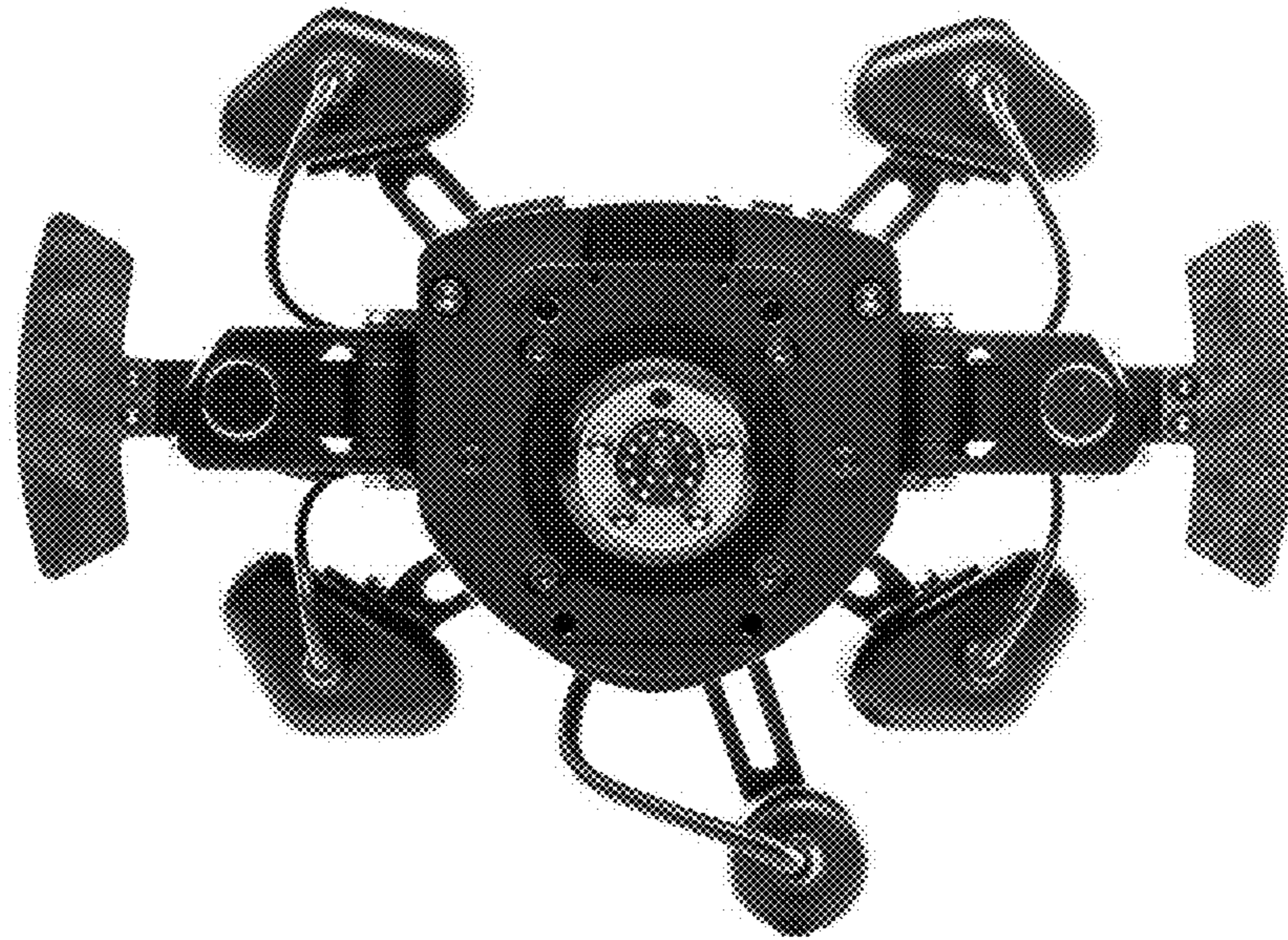
1 Claim, 7 Drawing Sheets
(7 of 7 Drawing Sheet(s) Filed in Color)



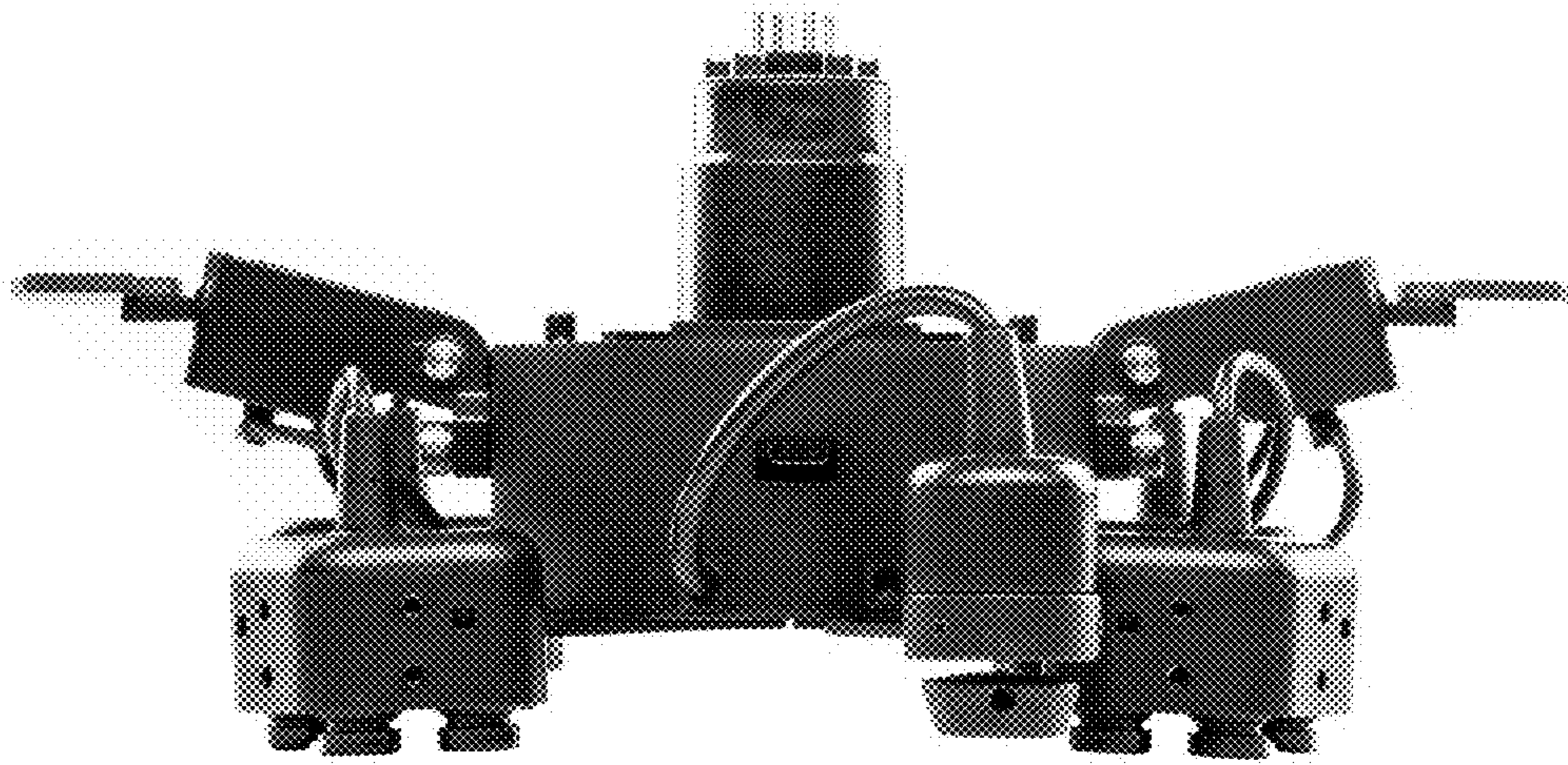
1.1



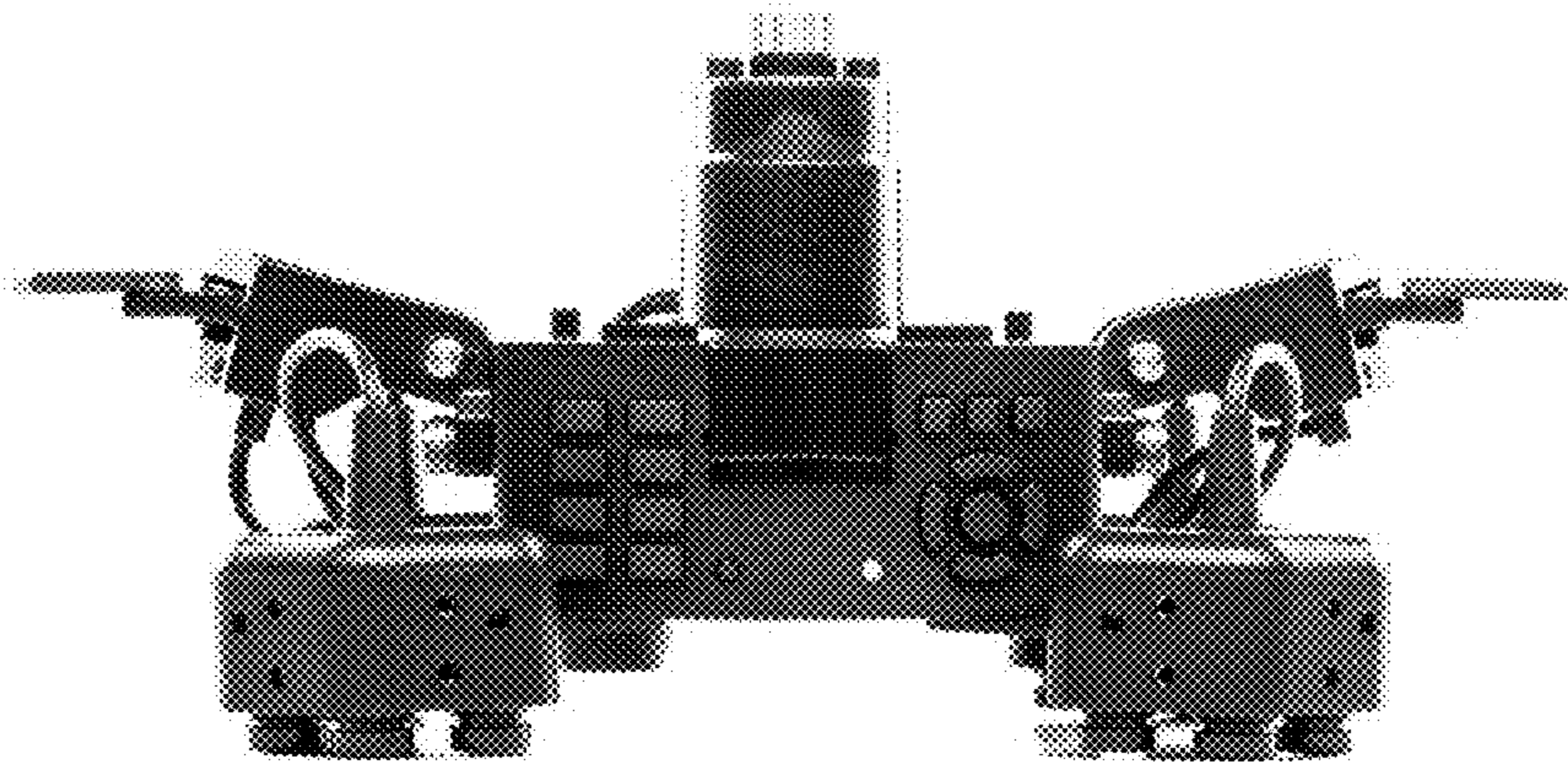
1.2



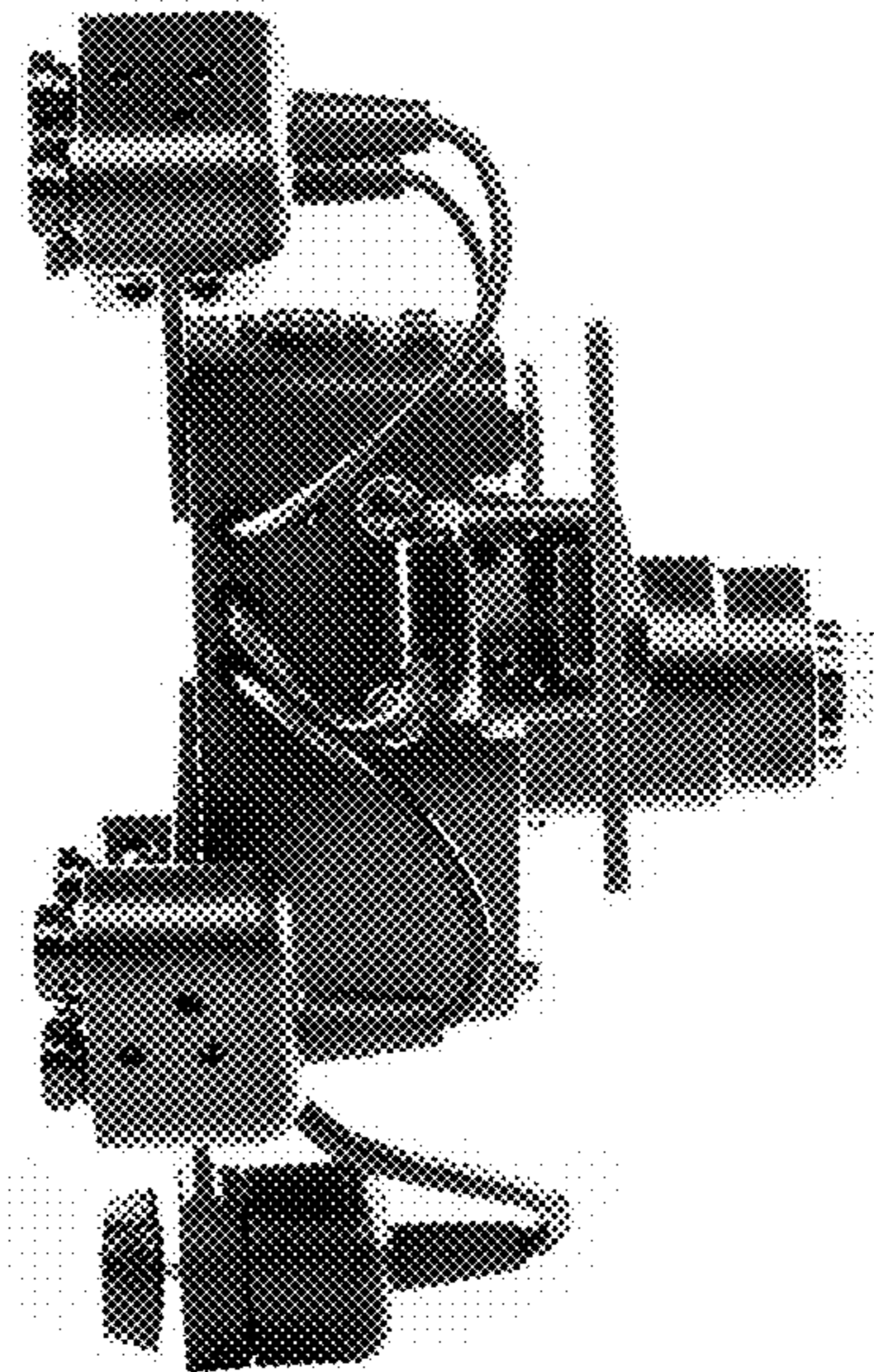
1.3



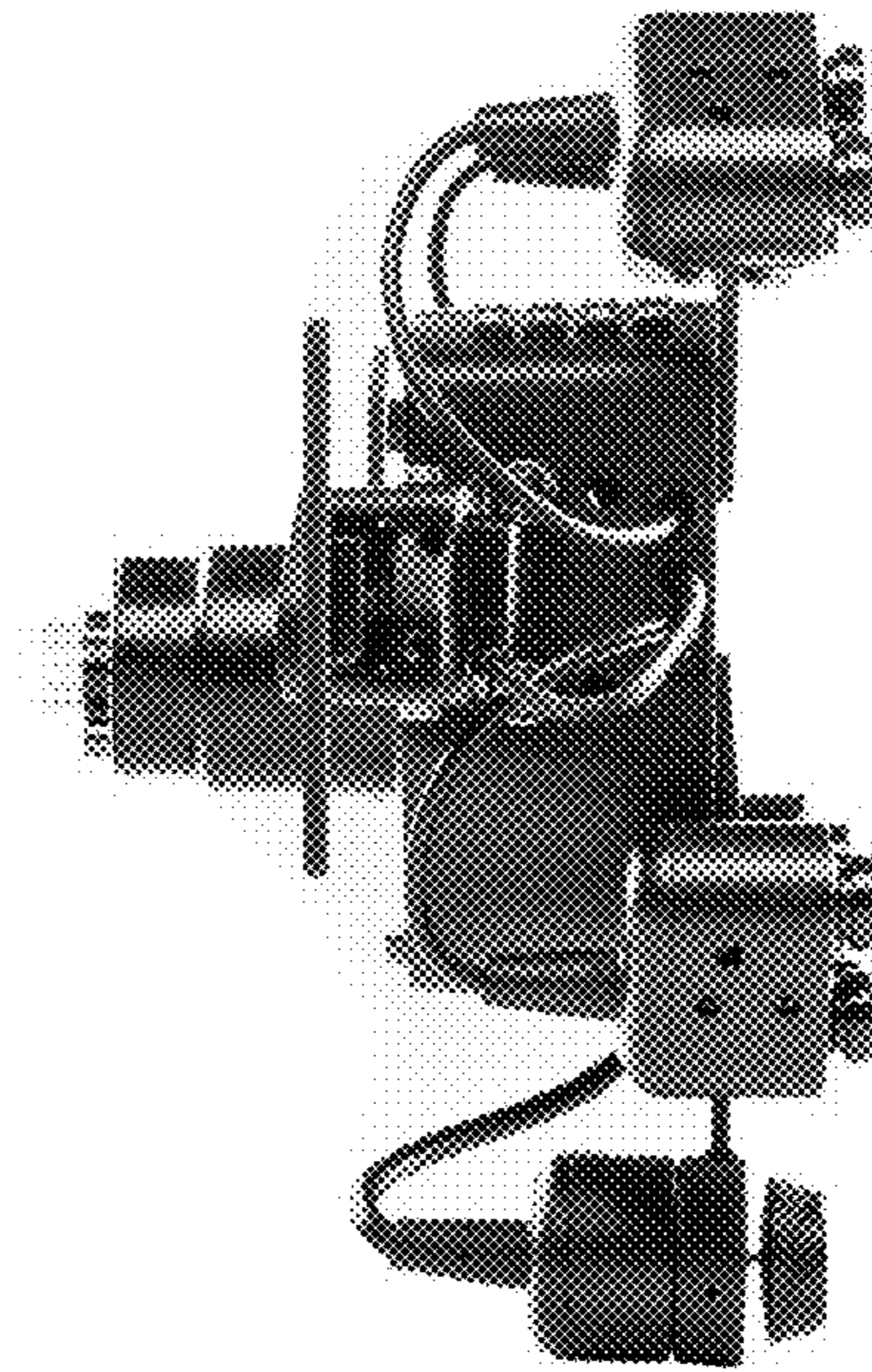
1.4



1.5



1.6



1.7

