



US00D989181S

(12) **United States Design Patent**
Wang

(10) **Patent No.:** **US D989,181 S**

(45) **Date of Patent:** **** Jun. 13, 2023**

- (54) **WHACK A FROG GAME**
- (71) Applicant: **Shantou Chenghai District Lichengfeng Plastic Products Factory, Shantou (CN)**
- (72) Inventor: **Lixiong Wang, Shantou (CN)**
- (**) Term: **15 Years**
- (21) Appl. No.: **29/860,191**
- (22) Filed: **Nov. 17, 2022**
- (51) **LOC (14) Cl.** **21-01**
- (52) **U.S. Cl.**
USPC **D21/324**
- (58) **Field of Classification Search**
USPC D21/324, 329, 333, 353, 383, 409,
D21/575-579; D14/400, 403, 412;
D17/1-6, 24; D7/350.2, 552.2, 654, 672;
D10/87; 273/148 B, 148 R; 463/1, 30,
463/37; 345/163
CPC G06F 3/01; G06F 3/016; A63F 2300/00;
A63H 2200/00
See application file for complete search history.

- D768,301 S * 10/2016 Pauschitz D24/195
- D770,054 S * 10/2016 Pauschitz D24/195
- D891,519 S 7/2020 Chen
- D921,118 S 6/2021 Yu
- D943,026 S 2/2022 Yu

OTHER PUBLICATIONS

Whack A Frog Game, Toys for 2 Year Old Boy and Toddlers, 5 Modes, 45 Levels, with 9 Music Spray and Light-up, Baby Early Learning Developmental Interactive Toys Birthday Gifts for Ages 2, 3, 4+ Year Old Boy, Aug. 25, 2022, HopeRock, https://www.amazon.com/dp/B0B7WXXKWJ?ref=myi_title_dp (Last Accessed: Nov. 17, 2022).

HopeRock Interactive Whack A Frog Game, 5 Modes, 45 Levels, with 9 Music Spray and Light-up, Fun Gift for Age 3, 4, 5, 6, 7, 8 Years Old Kids, Boys, Girls, 2 Hammers Included, Aug. 25, 2022, HopeRock, https://www.amazon.com/dp/B0BHSN6448?ref=myi_title_dp (Last Accessed: Nov. 17, 2022).

(Continued)

Primary Examiner — Katie Jane Stofko

(74) *Attorney, Agent, or Firm* — Runit Ranjit Kanakia

(57) **CLAIM**

The ornamental design for a whack a frog game, as shown and described.

DESCRIPTION

FIG. 1 is a perspective view of a whack a frog game showing my new design;

FIG. 2 is a front view thereof;

FIG. 3 is a rear view thereof;

FIG. 4 is a right side view thereof;

FIG. 5 is a left side view thereof;

FIG. 6 is a top view thereof; and,

FIG. 7 is a bottom view thereof.

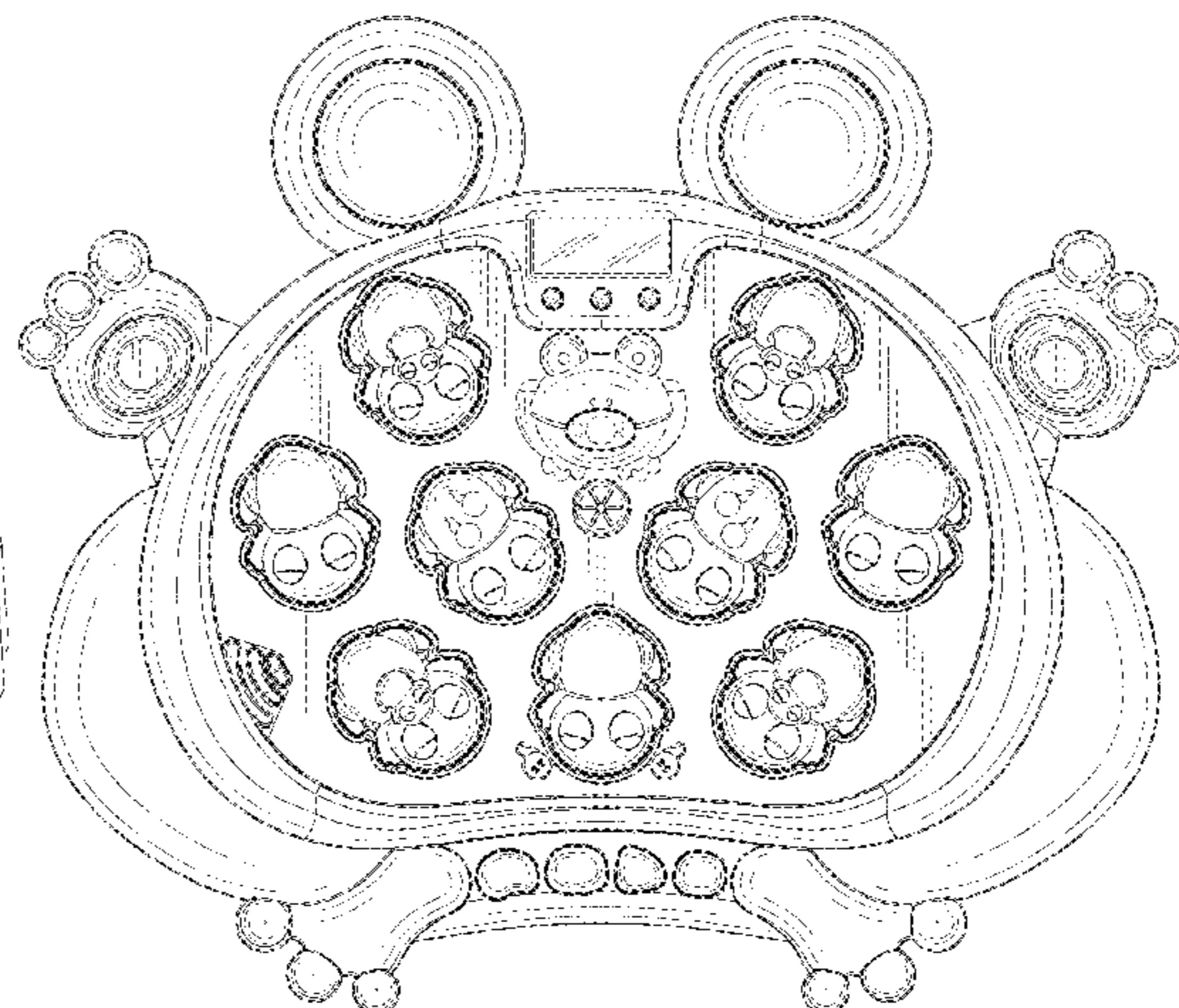
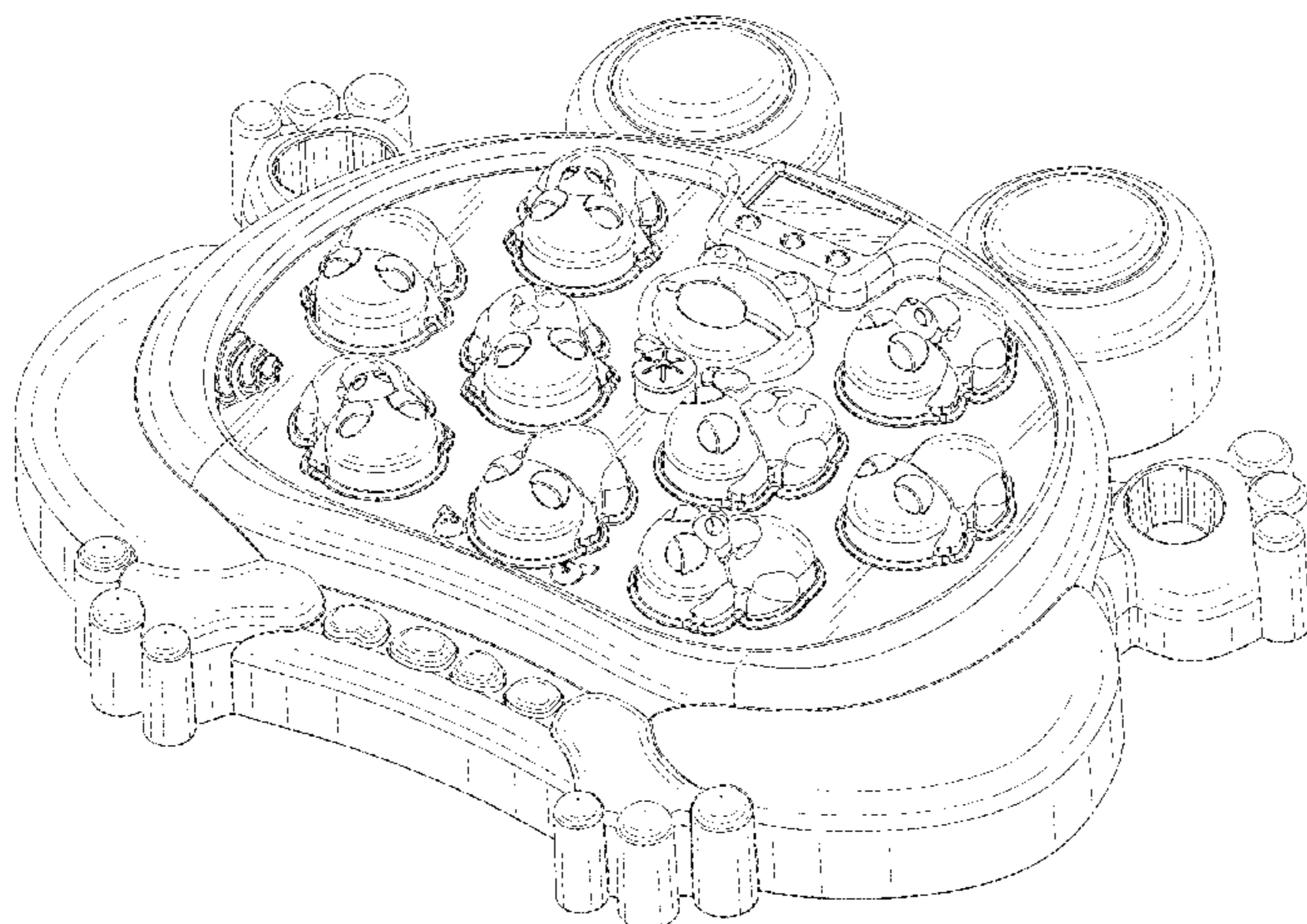
Broken lines in the drawings depict portions of the whack a frog game that form no part of the claimed design.

1 Claim, 7 Drawing Sheets

(56) **References Cited**

U.S. PATENT DOCUMENTS

- 4,603,860 A * 8/1986 Wey A63F 9/34
273/448
- D309,436 S * 7/1990 Zeisel D21/600
- D318,075 S * 7/1991 Capper D21/600
- D354,993 S * 1/1995 Morrison D21/324
- D370,221 S * 5/1996 Firlow D21/600
- D384,703 S * 10/1997 Chuang D21/600
- D440,552 S * 4/2001 Chen D21/600
- D557,346 S * 12/2007 Hall D21/324
- D599,221 S * 9/2009 Bialek-Wester D10/15
- D637,431 S * 5/2011 Clavette D3/315
- D662,372 S * 6/2012 Jowett D7/676



(56)

References Cited

OTHER PUBLICATIONS

HopeRock Toys for 2 Year Old Boy,5 Modes,45 Levels,with 9 Music Spray and Light-up,Whack A mole Game, Baby Early Learning Developmental Interactive Toys Birthday Gifts for Ages 2,3,4+ Year Old Boy, Aug. 25, 2022, HopeRock, https://www.amazon.com/dp/B0BHT1JDZ4?ref=myi_title_dp (Last Accessed: Nov. 17, 2022).

* cited by examiner

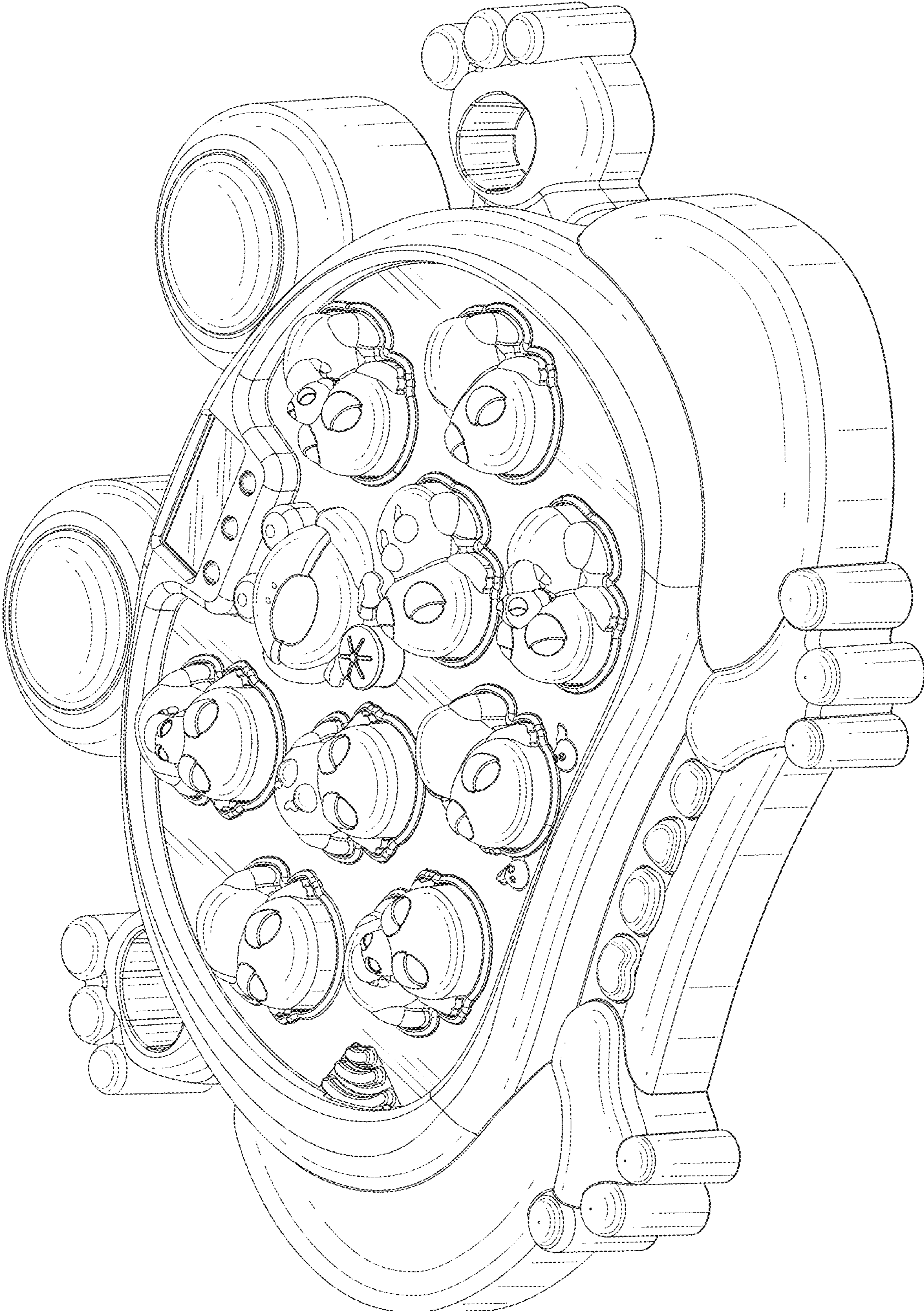


FIG.1

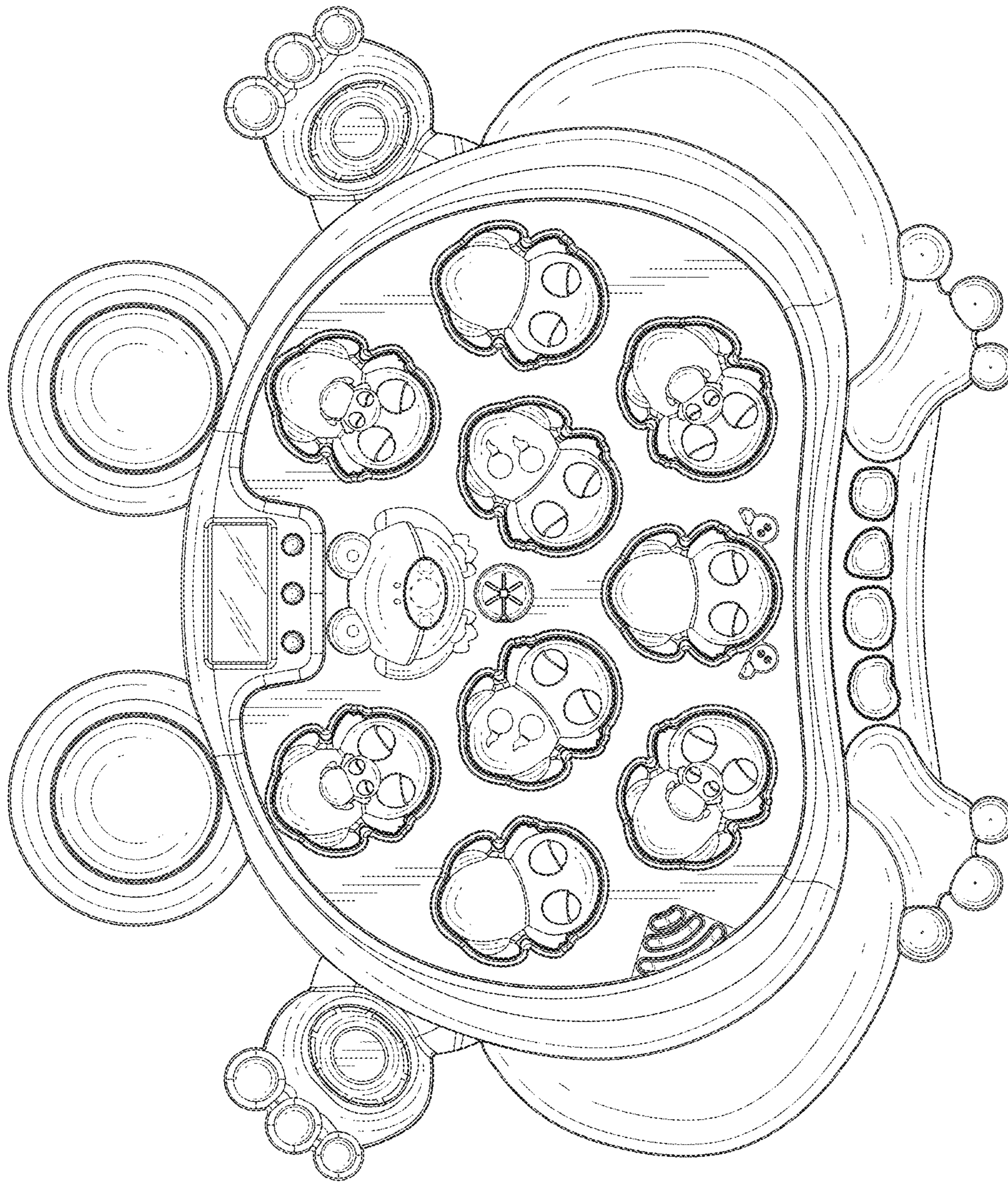


FIG.2

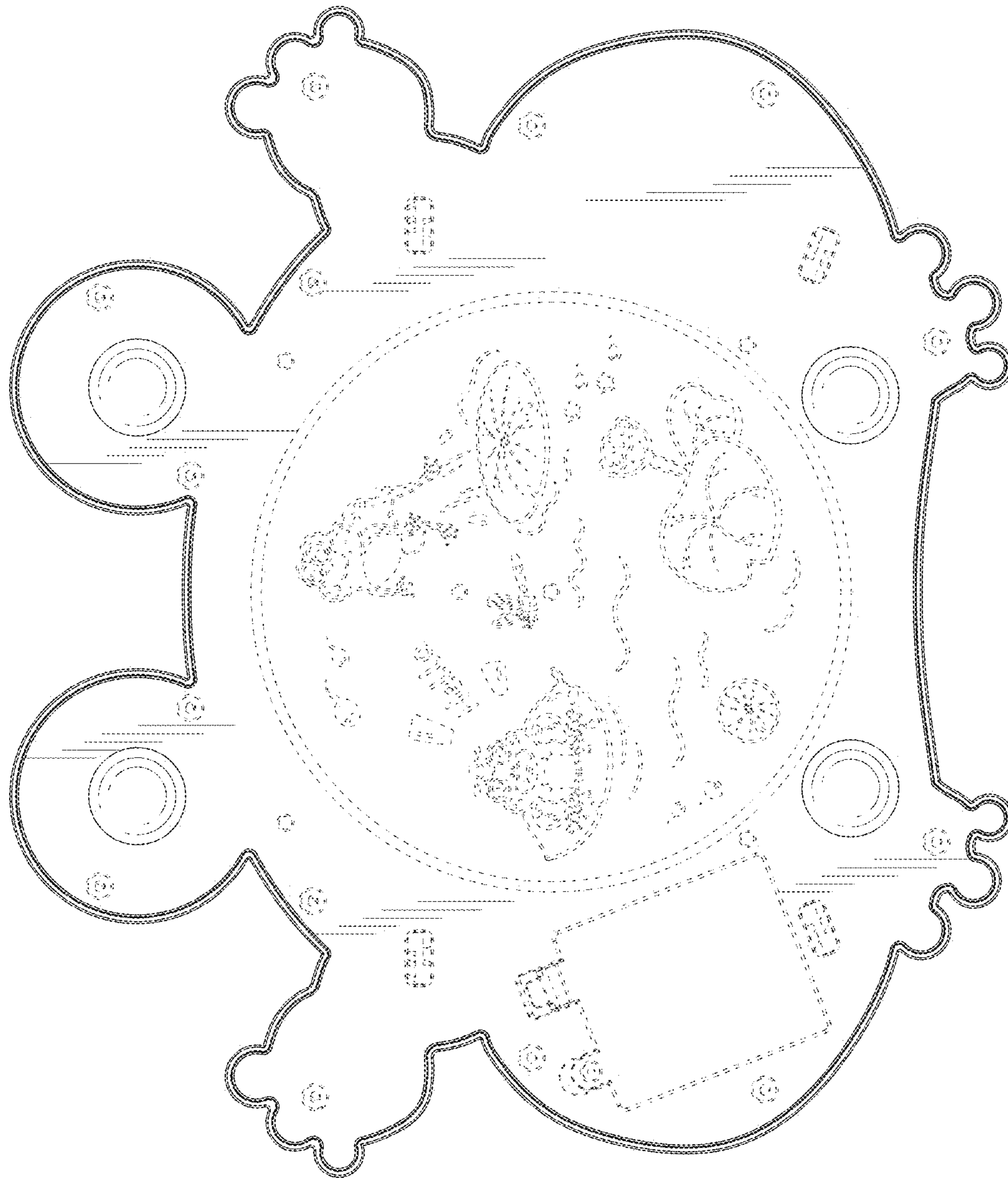


FIG. 3

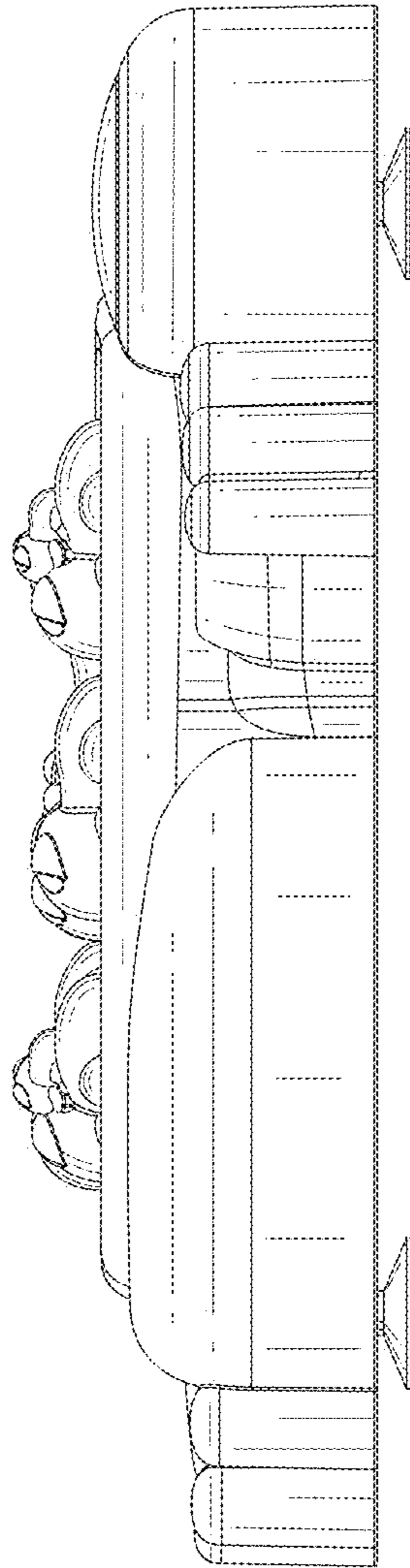


FIG.4

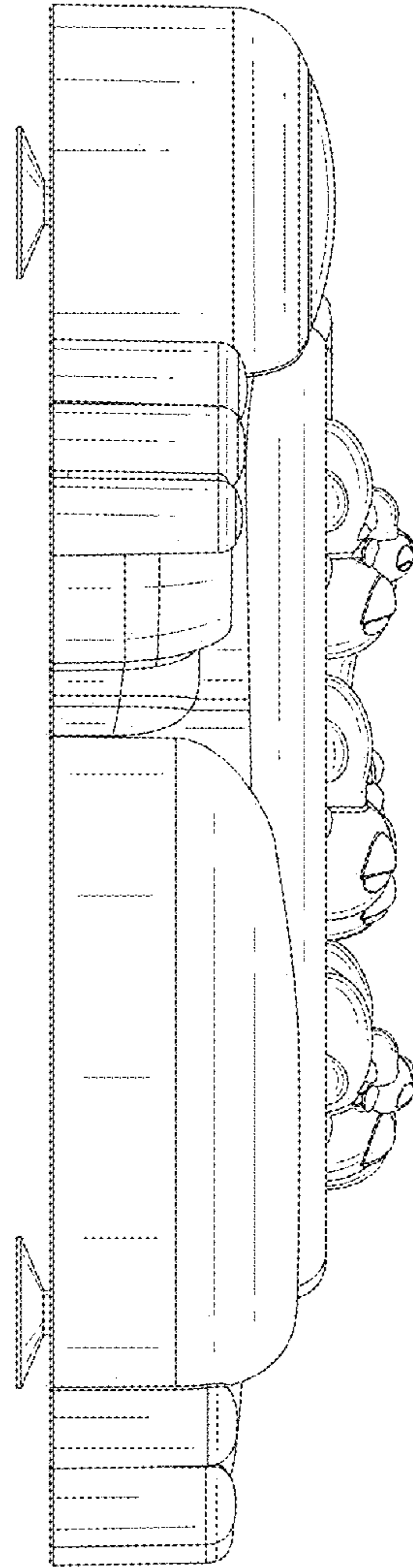


FIG.5

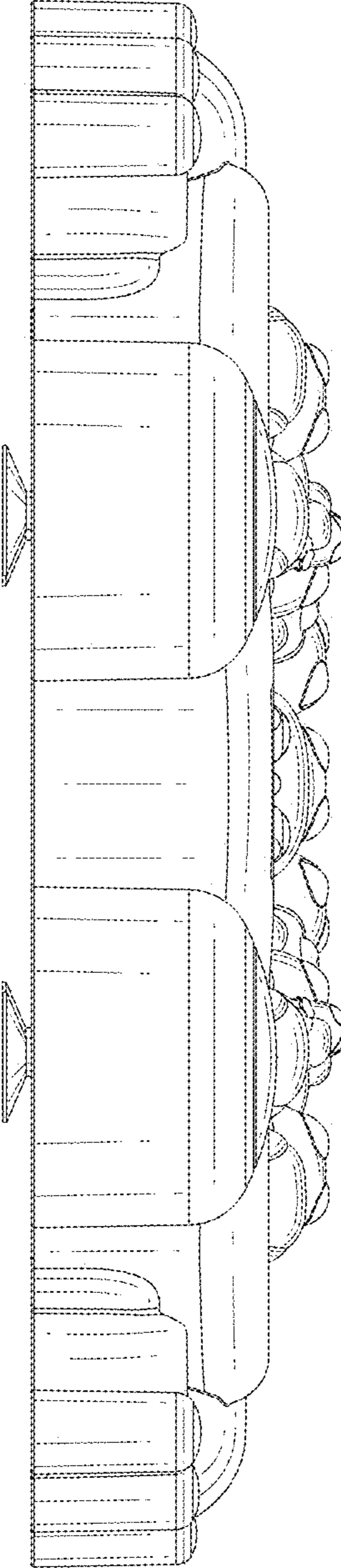


FIG.6

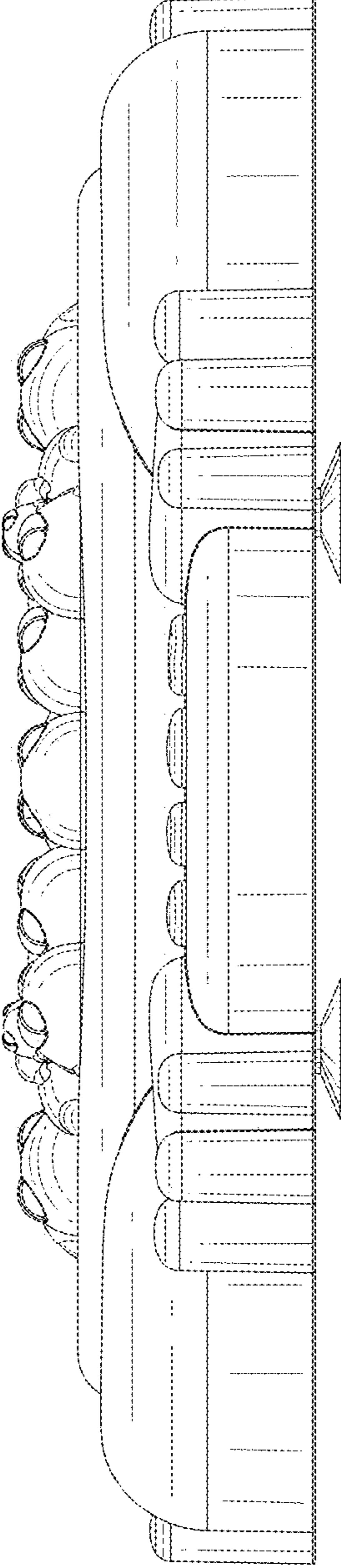


FIG. 7