



US00D989180S

(12) **United States Design Patent**
Xing

(10) **Patent No.:** **US D989,180 S**

(45) **Date of Patent:** **** Jun. 13, 2023**

(54) **CORNHOLE BOARD**

(71) Applicant: **Yufeng Xing**, Liaoyuan (CN)

(72) Inventor: **Yufeng Xing**, Liaoyuan (CN)

(**) Term: **15 Years**

(21) Appl. No.: **29/861,443**

(22) Filed: **Nov. 30, 2022**

(51) **LOC (14) Cl.** **21-01**

(52) **U.S. Cl.**

USPC **D21/303**

(58) **Field of Classification Search**

USPC D21/300–304, 312, 319, 322, 334, 336,
D21/341, 342, 343, 397, 699, 789–792;
473/175, 179, 180, 182, 185, 187, 569,
473/592; 273/398–404, 343, 317, 336,
273/348, 407, 408, 410, 108, 287, 331,
273/236, 118 R, 123 R, 127 R, 120 R,
273/127 B, 395, 396, 245; D6/392, 718;
5/110–114, 120–123, 89.1, 127–130, 625,
5/627, 655, 630–634

CPC A63B 63/00; A63B 63/003; A63B 63/08;
A63B 67/00; A63B 67/02; A63B 67/06;
A63B 67/066; A63B 2063/001; A63B
2063/002; A63B 2067/065; A63B
2067/063; A63B 2067/061; A63B
2208/12; A63B 71/00; A63B 2210/50;
A63B 2024/0046; A63B 69/3661; A63B
69/0097; A63F 7/386

See application file for complete search history.

(56) **References Cited**

U.S. PATENT DOCUMENTS

1,558,766	A *	10/1925	Smith	A63B 57/357 473/184
4,709,929	A *	12/1987	Mills	A63B 63/08 273/402
4,961,586	A *	10/1990	Conville	A63F 9/02 273/402
6,244,598	B1 *	6/2001	Conville	A63B 67/06 273/402

(Continued)

Primary Examiner — Katie Jane Stofko

(74) *Attorney, Agent, or Firm* — Runit Ranjit Kanakia

(57) **CLAIM**

The ornamental design for a cornhole board, as shown and described.

DESCRIPTION

FIG. 1 is a top perspective view of a cornhole board in a used state, showing my new design;

FIG. 2 is a bottom perspective view thereof;

FIG. 3 is another bottom perspective view in another angle thereof;

FIG. 4 is a front elevational view thereof, the rear elevational view being a mirror image of FIG. 4;

FIG. 5 is a left side view thereof;

FIG. 6 is a right side view thereof;

FIG. 7 is a top plan view thereof;

FIG. 8 is a bottom plan view thereof;

FIG. 9 is a partial enlarged view of FIG. 1;

FIG. 10 is a partial enlarged view of FIG. 1;

FIG. 11 is a partial enlarged view of FIG. 1;

FIG. 12 is a partial enlarged view of FIG. 1;

FIG. 13 is a partial enlarged view of FIG. 1;

FIG. 14 is a partial enlarged view of FIG. 2;

FIG. 15 is a partial enlarged view of FIG. 2;

FIG. 16 is a partial enlarged view of FIG. 3;

FIG. 17 is a partial enlarged view of FIG. 7;

FIG. 18 is a partial enlarged view of FIG. 7;

FIG. 19 is a partial enlarged view of FIG. 7;

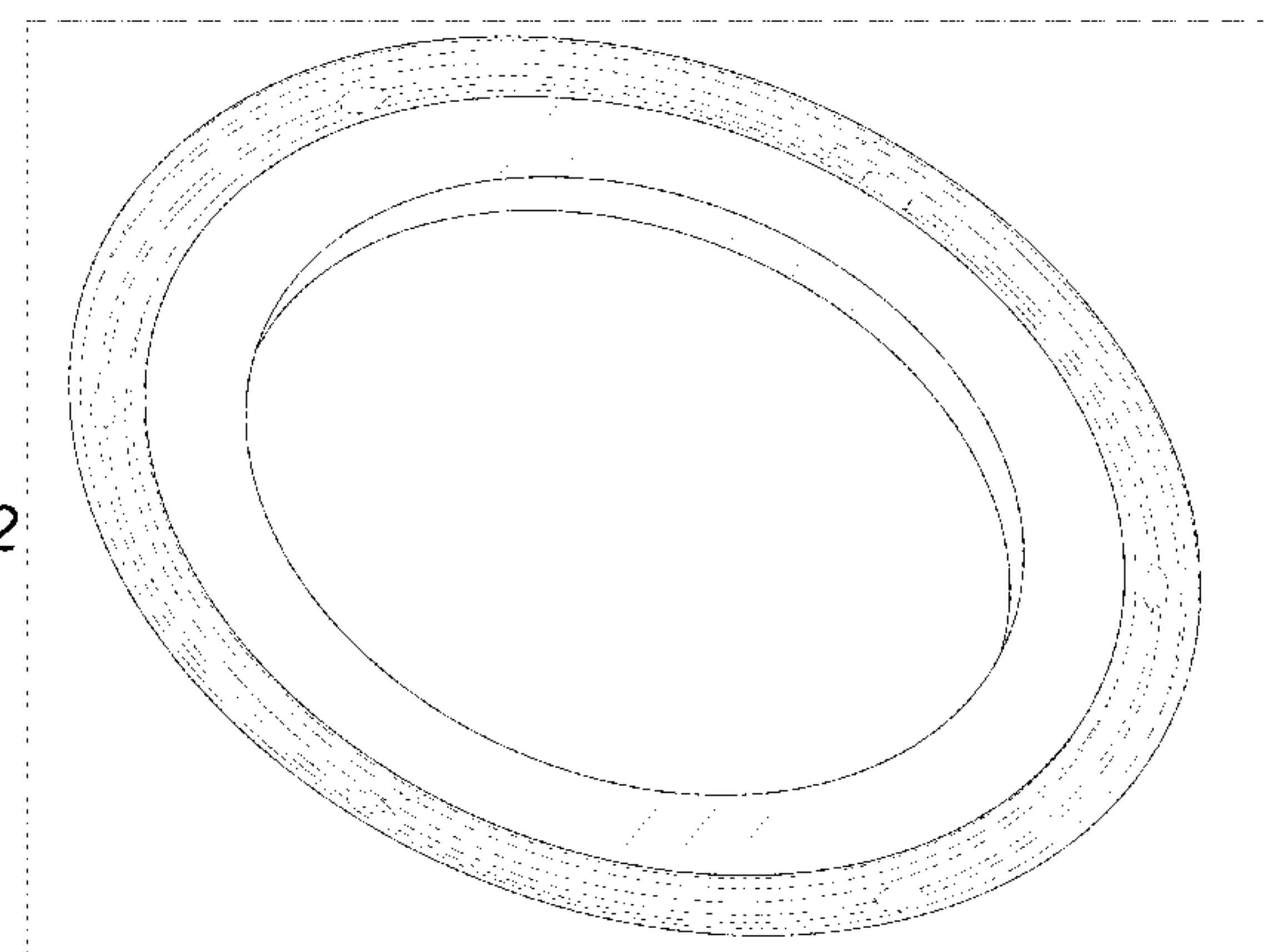
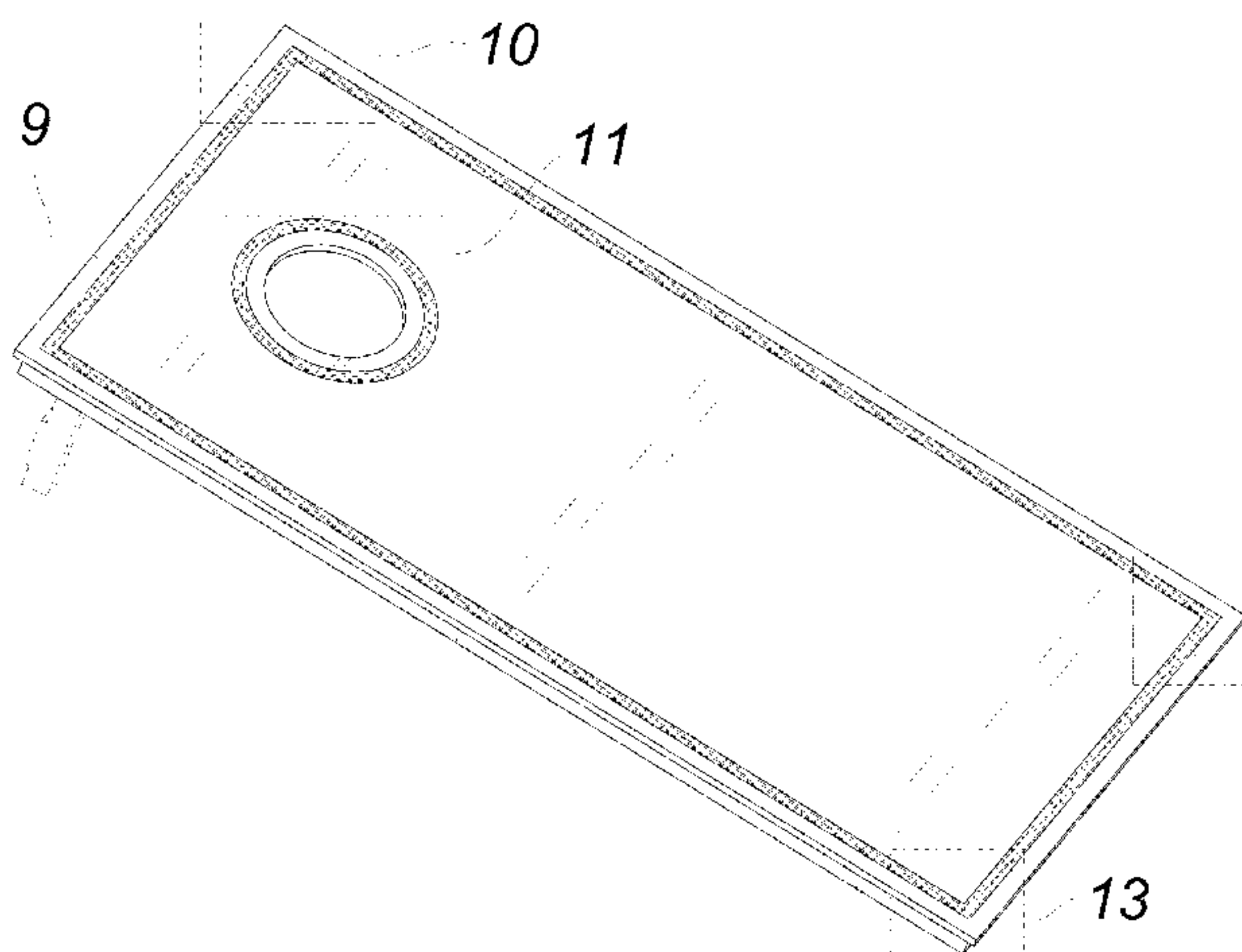
FIG. 20 is a partial enlarged view of FIG. 7;

FIG. 21 is a partial enlarged view of FIG. 7; and,

FIG. 22 is a partial enlarged view of FIG. 8.

The broken lines in the figures are for the purposes of illustrating portions of the cornhole board, which form no part of the claimed design.

1 Claim, 15 Drawing Sheets



(56)

References Cited

U.S. PATENT DOCUMENTS

D635,197 S	3/2011	Pryor	
8,162,318 B1 *	4/2012	Peterson	A63B 67/06 273/343
D688,749 S	8/2013	Pavony	
D706,353 S	6/2014	Montenare	
D706,354 S	6/2014	Montenare	
D706,355 S	6/2014	Montenare	
9,687,708 B2 *	6/2017	Bennett	A63B 71/0036
10,226,675 B2 *	3/2019	Wilder	H04R 1/028
10,286,276 B2 *	5/2019	O'Neill	A63B 67/06
D860,325 S	9/2019	Ding	
10,401,020 B2 *	9/2019	Finch	F21V 21/088
D895,732 S	9/2020	Saleeby	
10,835,794 B1 *	11/2020	McMahon	G01B 5/14
D910,757 S	2/2021	Green	
D954,827 S	6/2022	Good	
D966,415 S	10/2022	Zhuang	
2006/0125186 A1 *	6/2006	Digges, III	A63B 67/06 273/402
2011/0215528 A1 *	9/2011	Conville	A63B 67/06 273/402
2017/0014704 A1 *	1/2017	Bell	A63F 9/0278

* cited by examiner

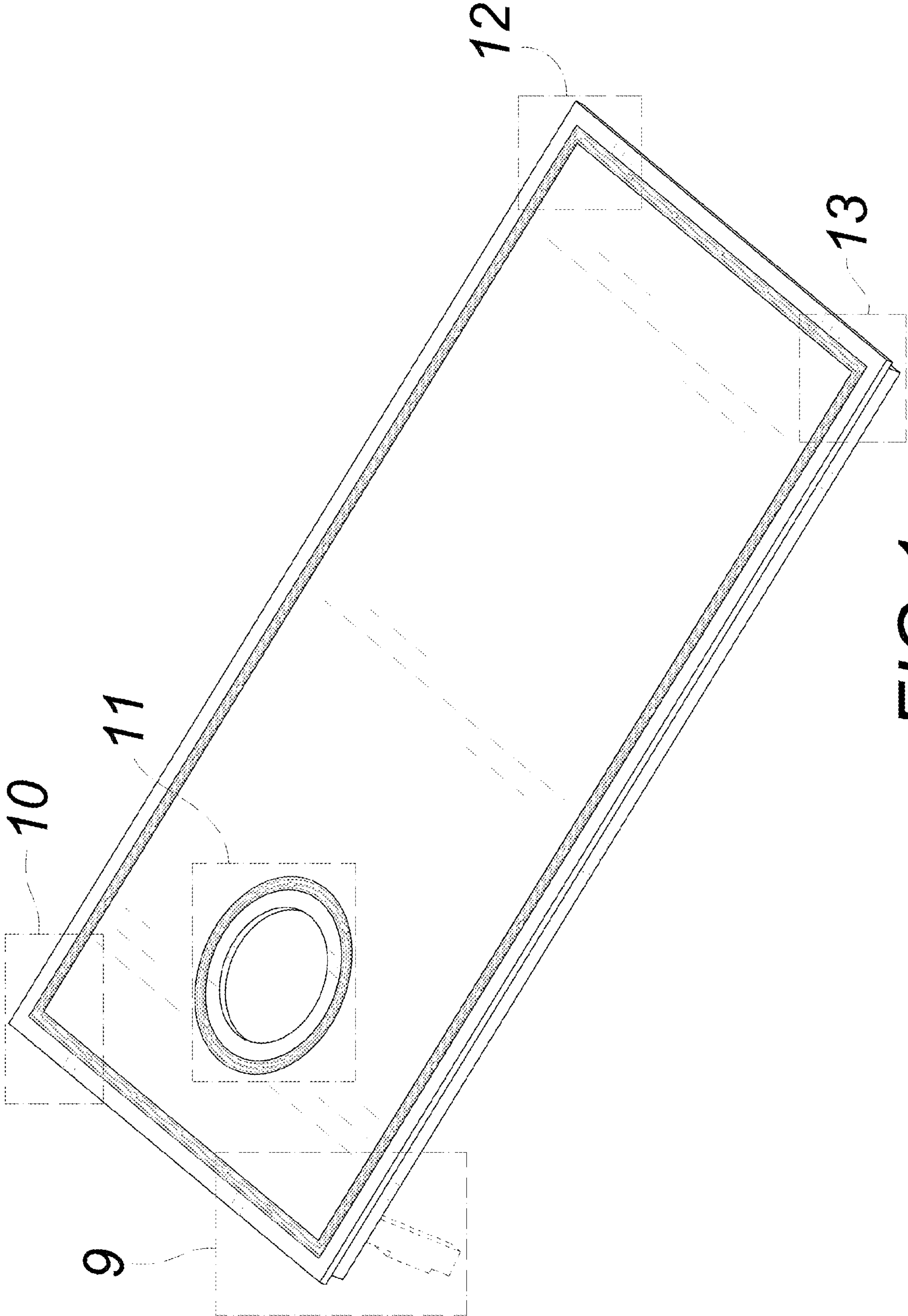


FIG. 1

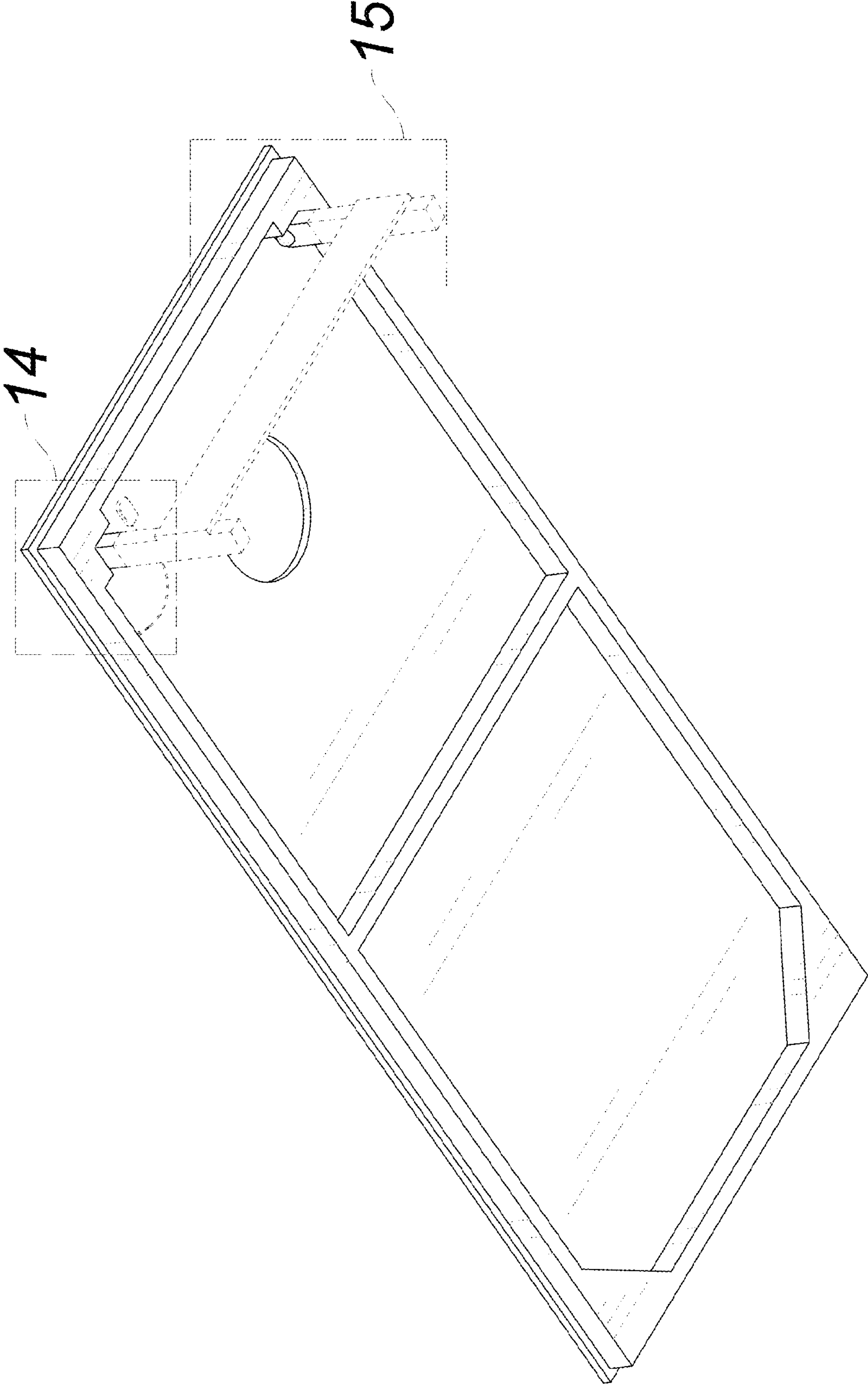


FIG. 2

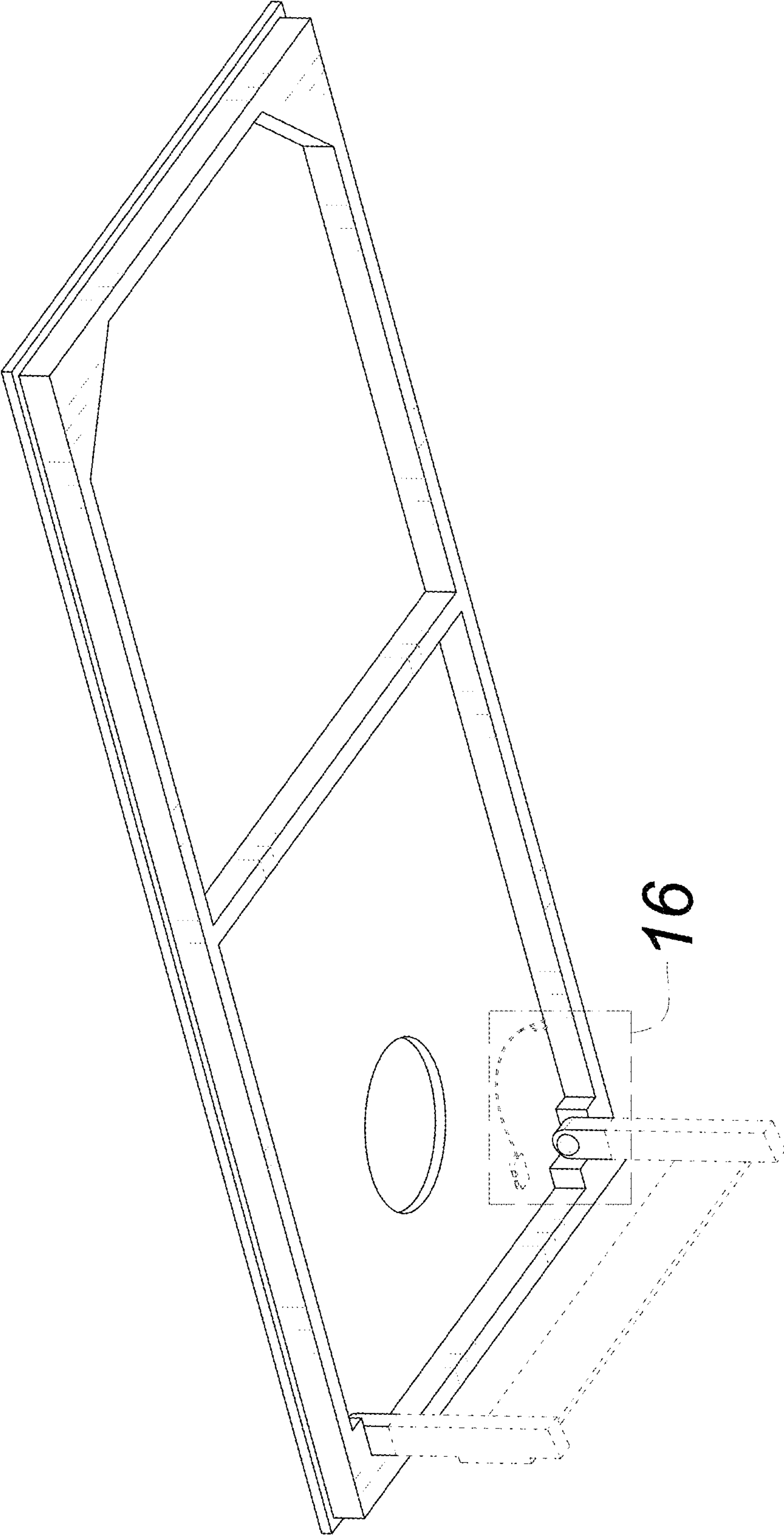


FIG. 3

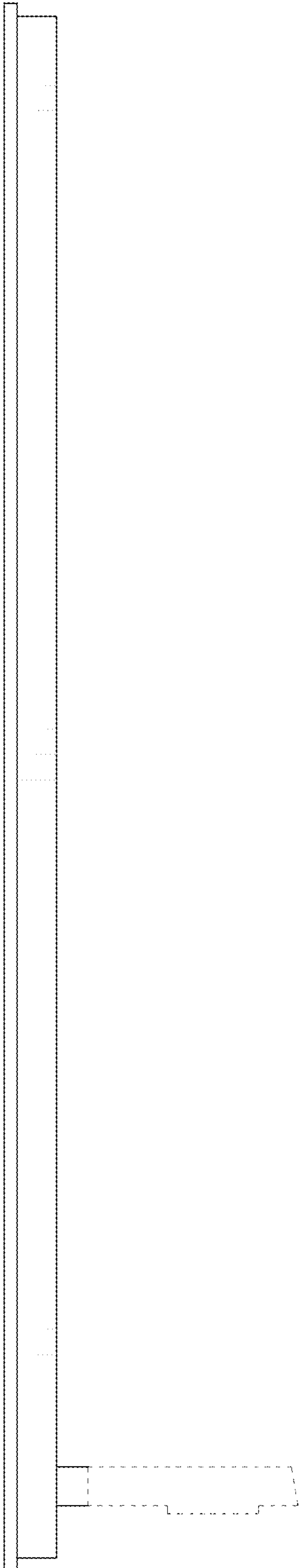


FIG. 4

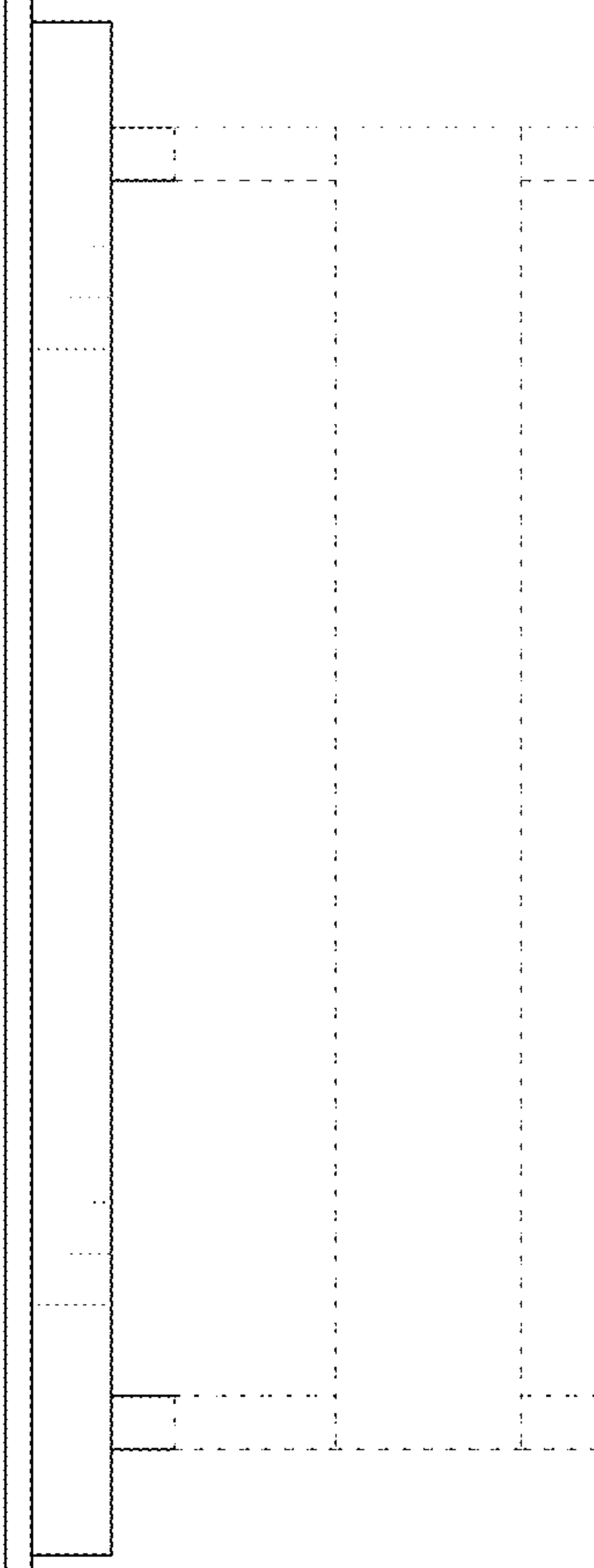


FIG. 5

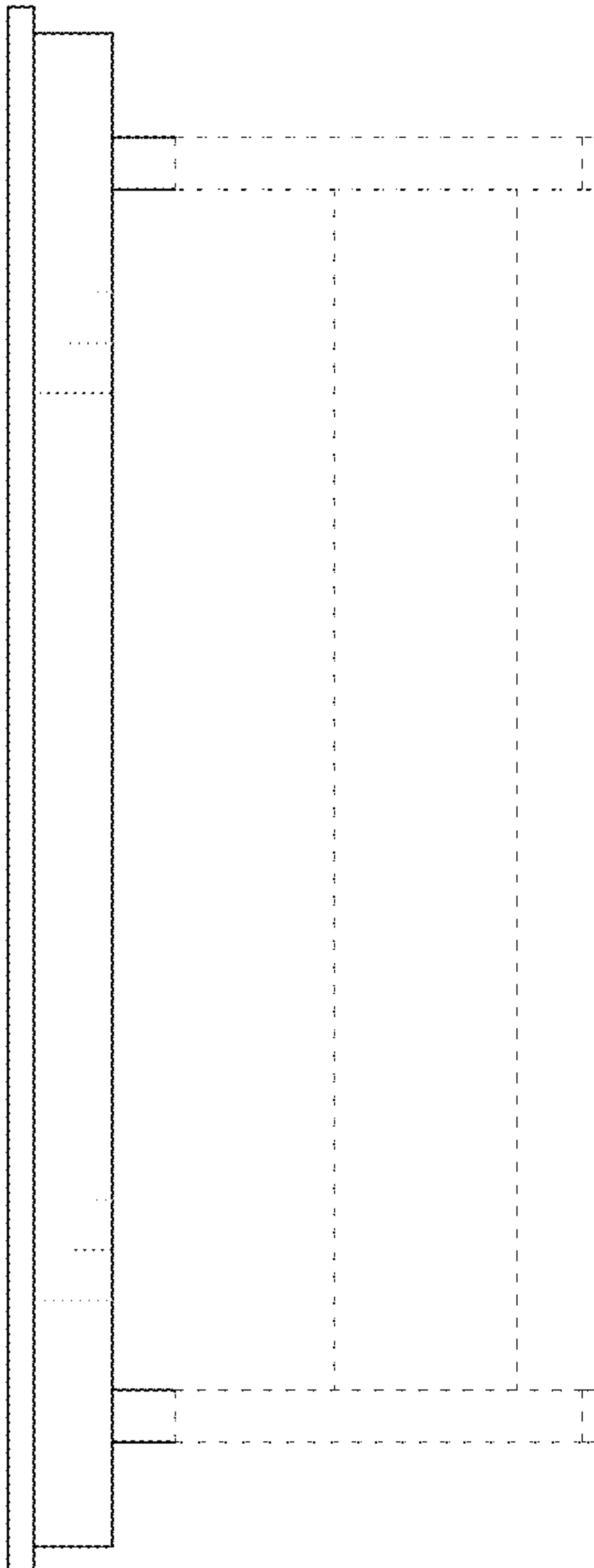


FIG. 6

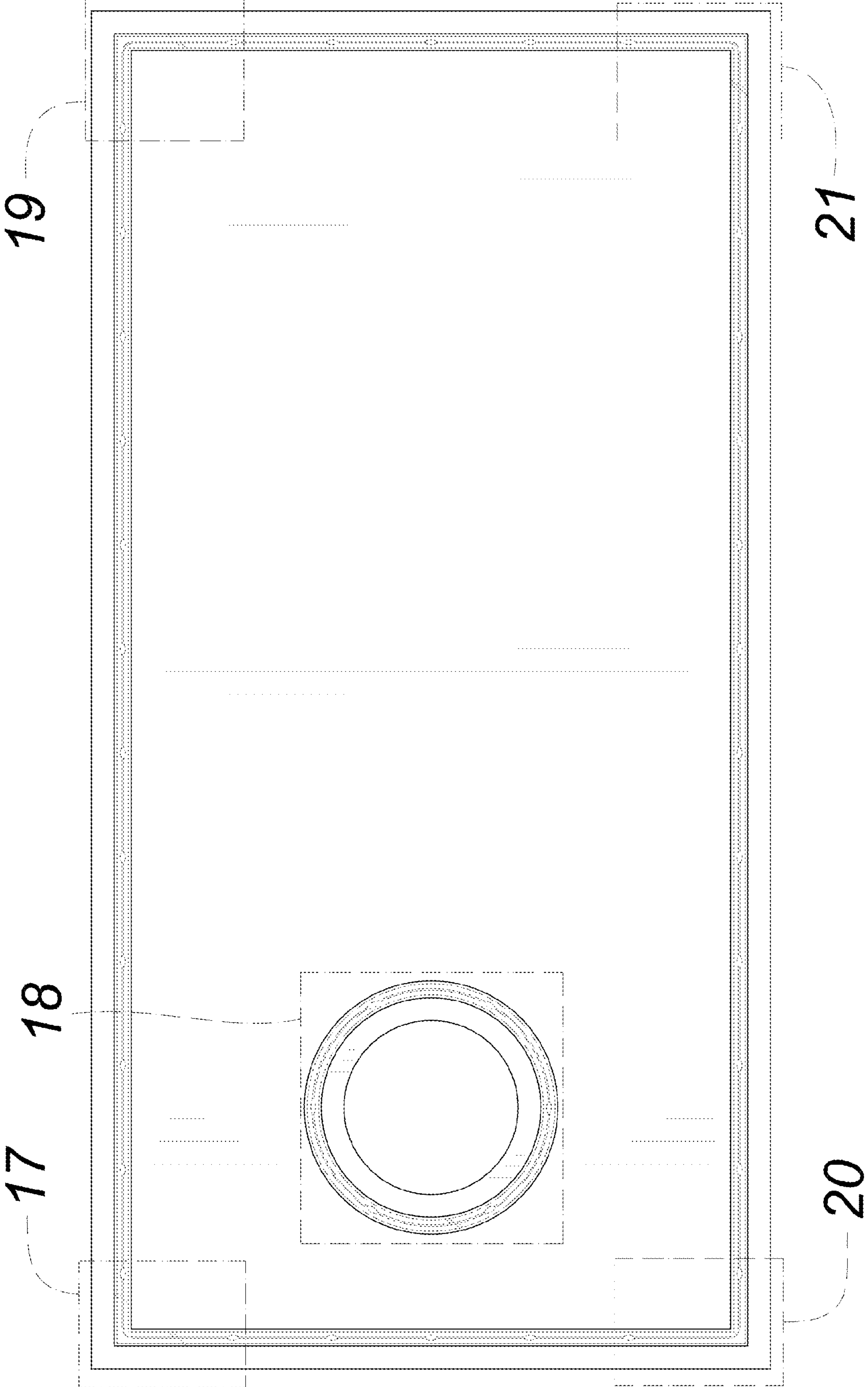
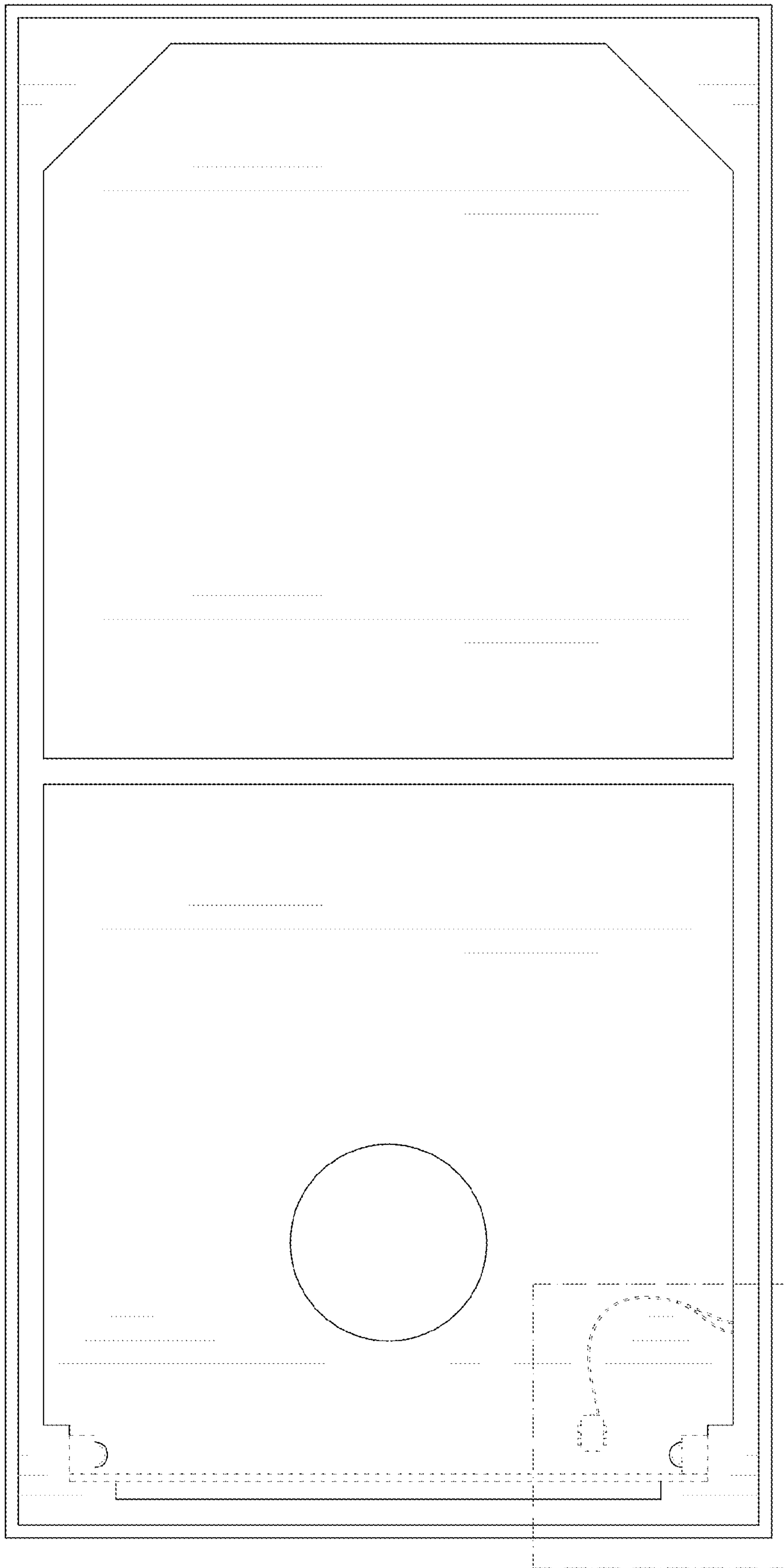


FIG. 7



22

FIG. 8

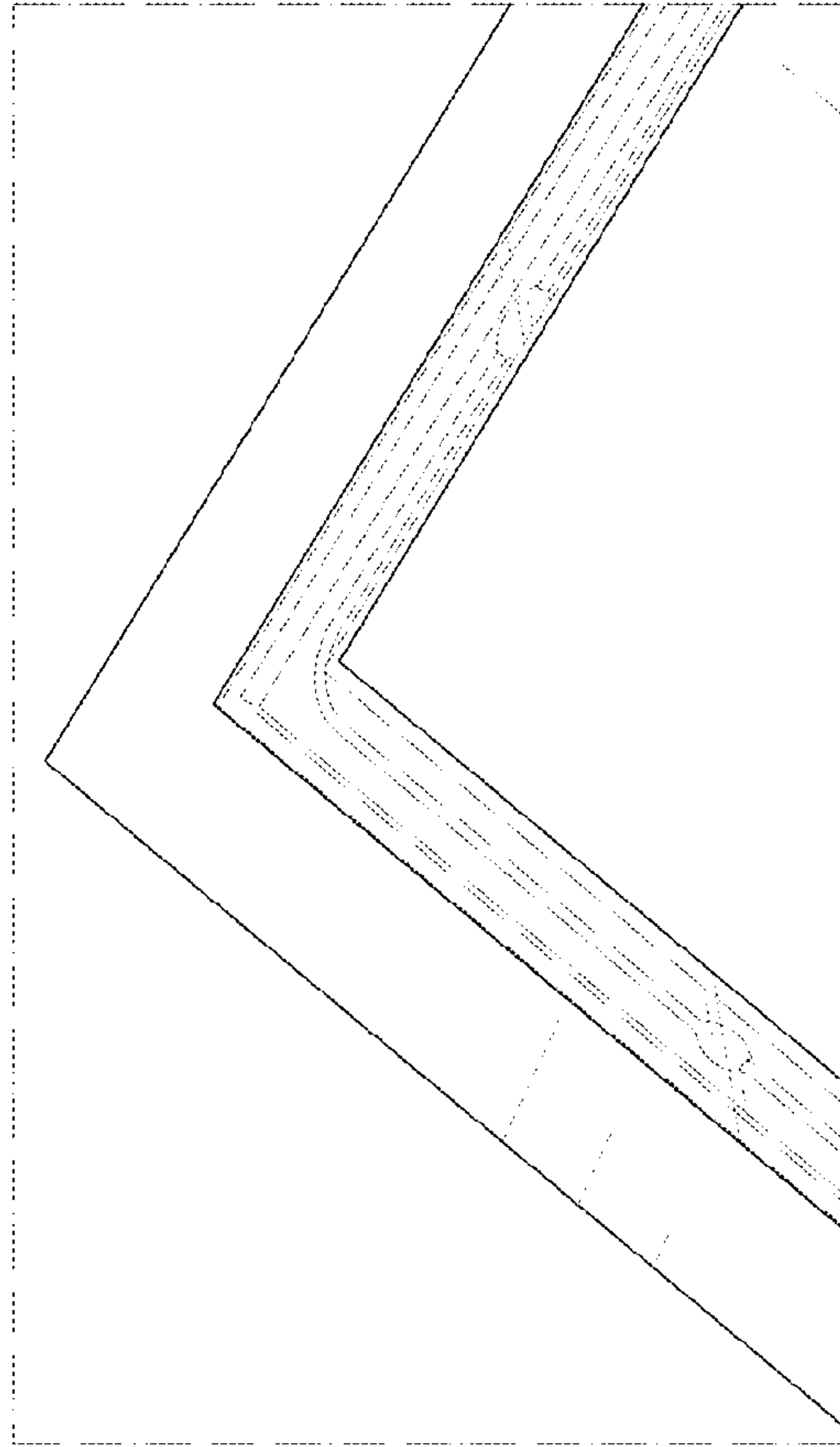


FIG. 10

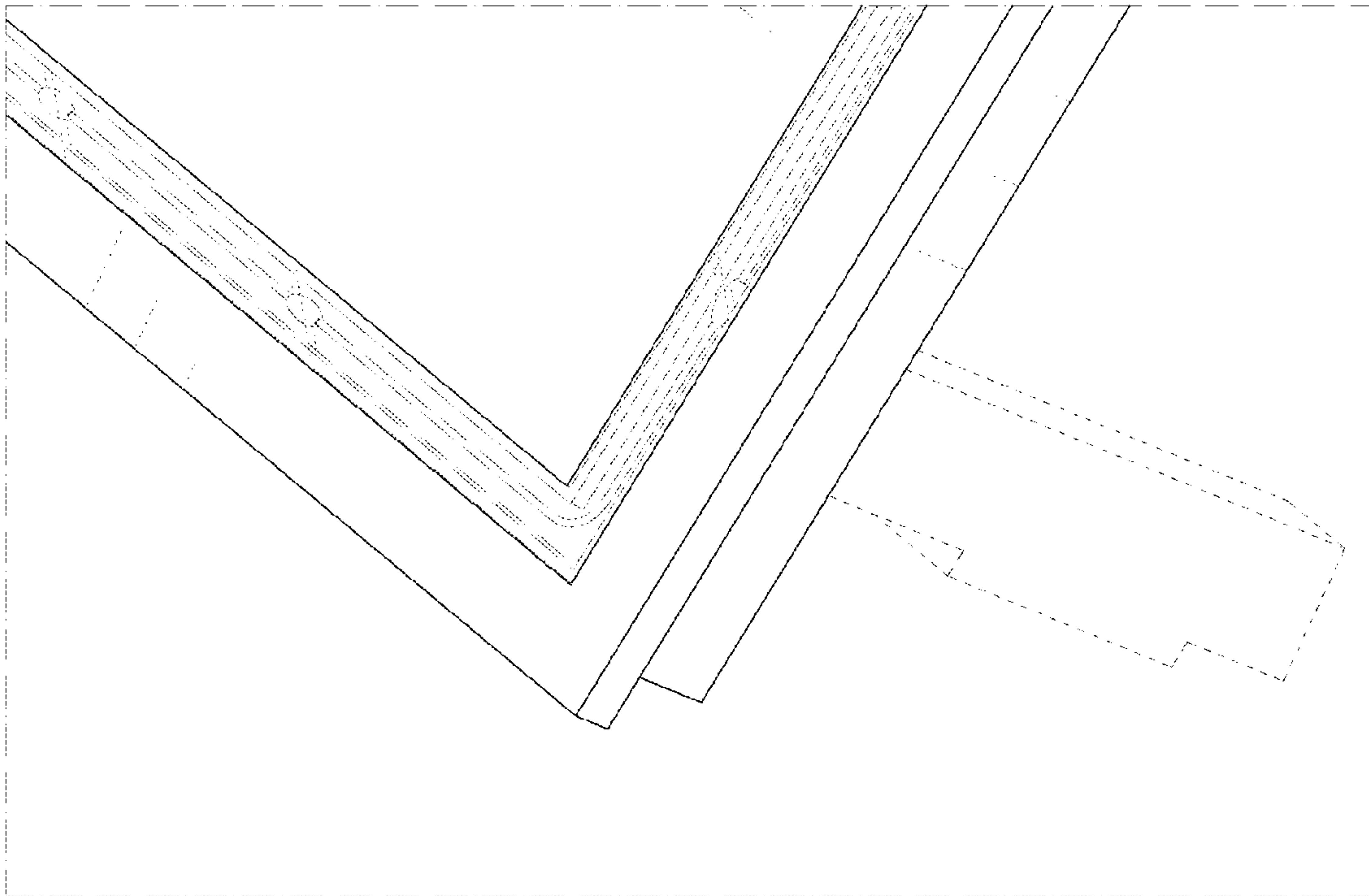


FIG. 9

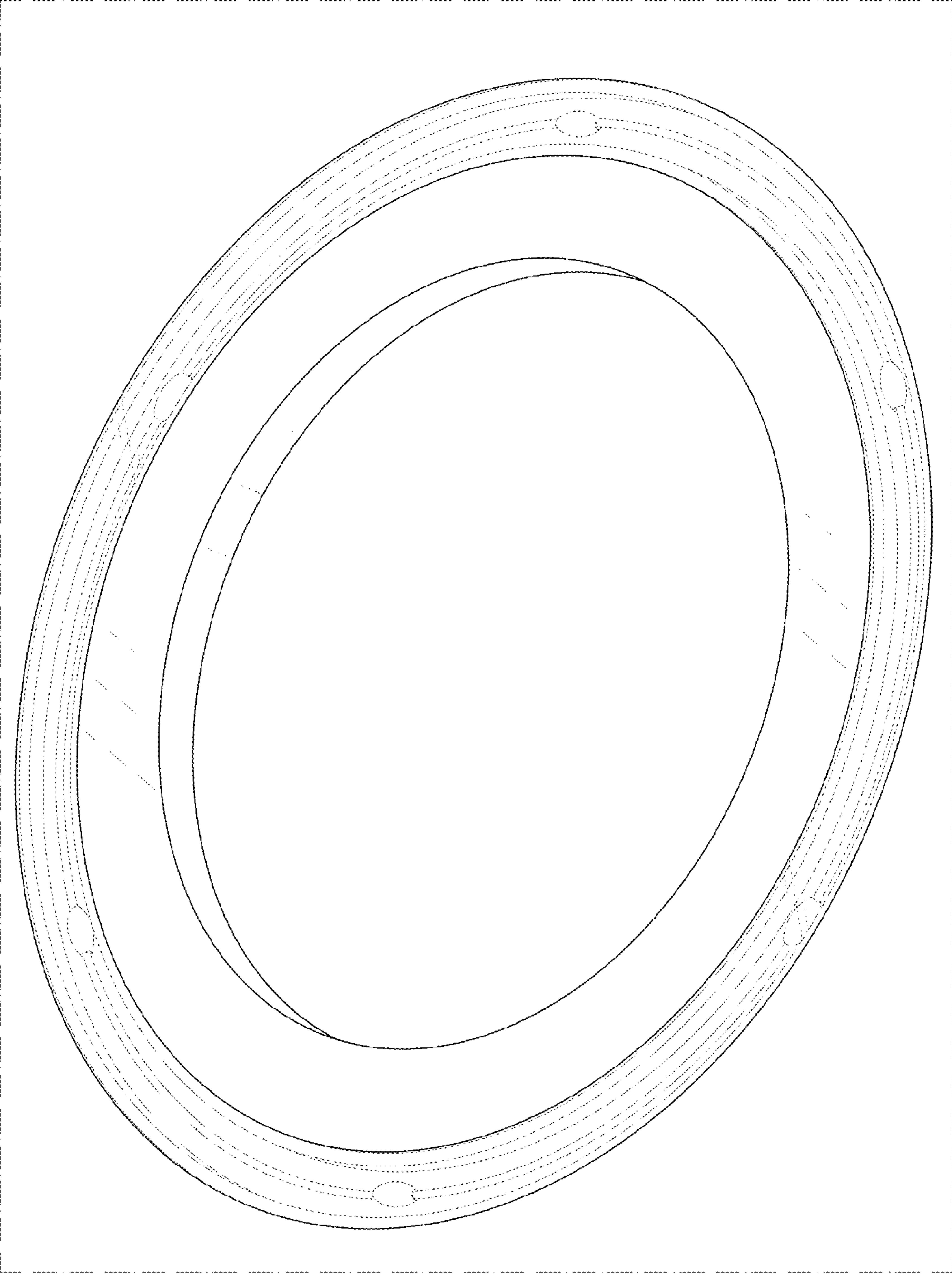


FIG. 11

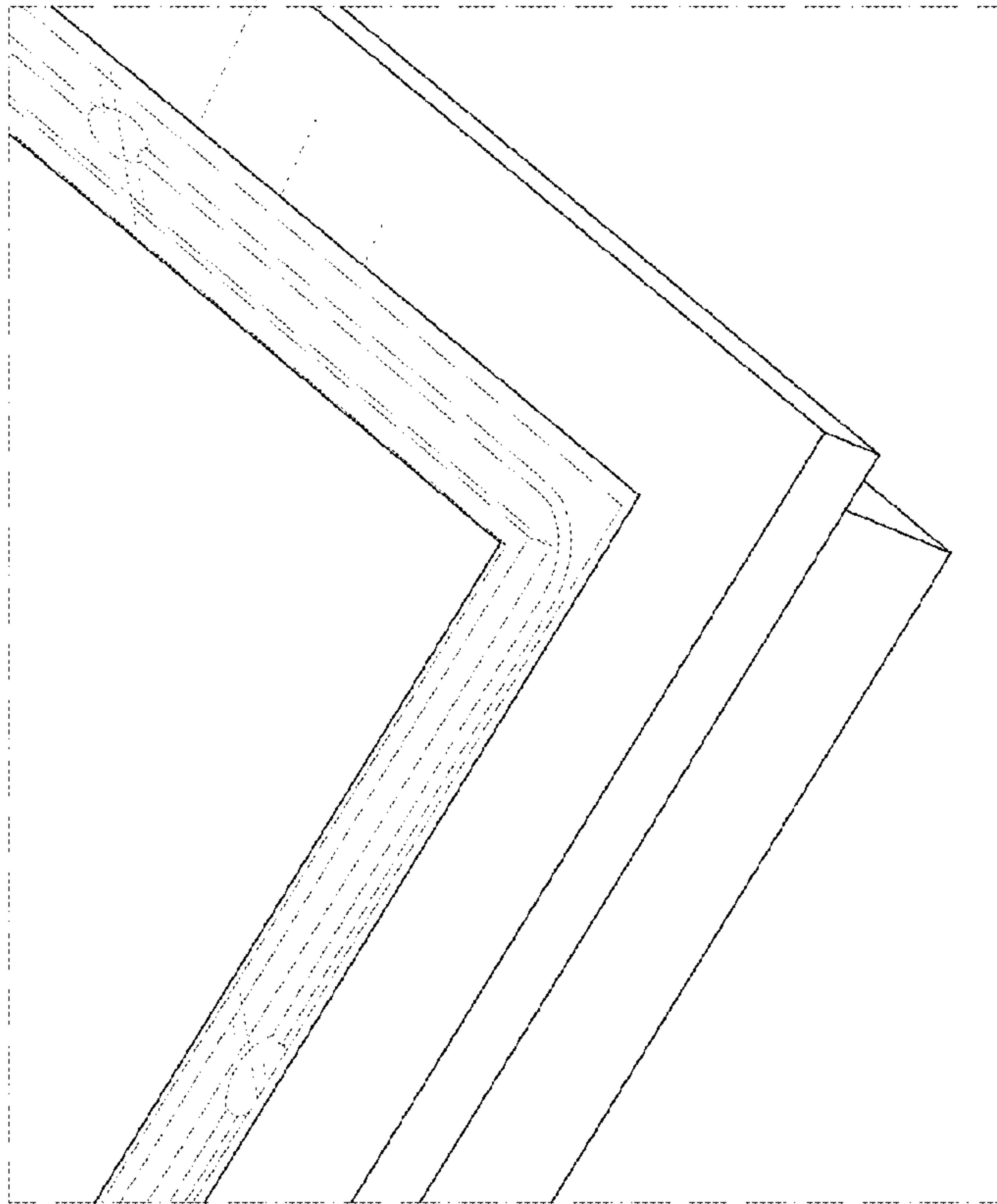


FIG. 13

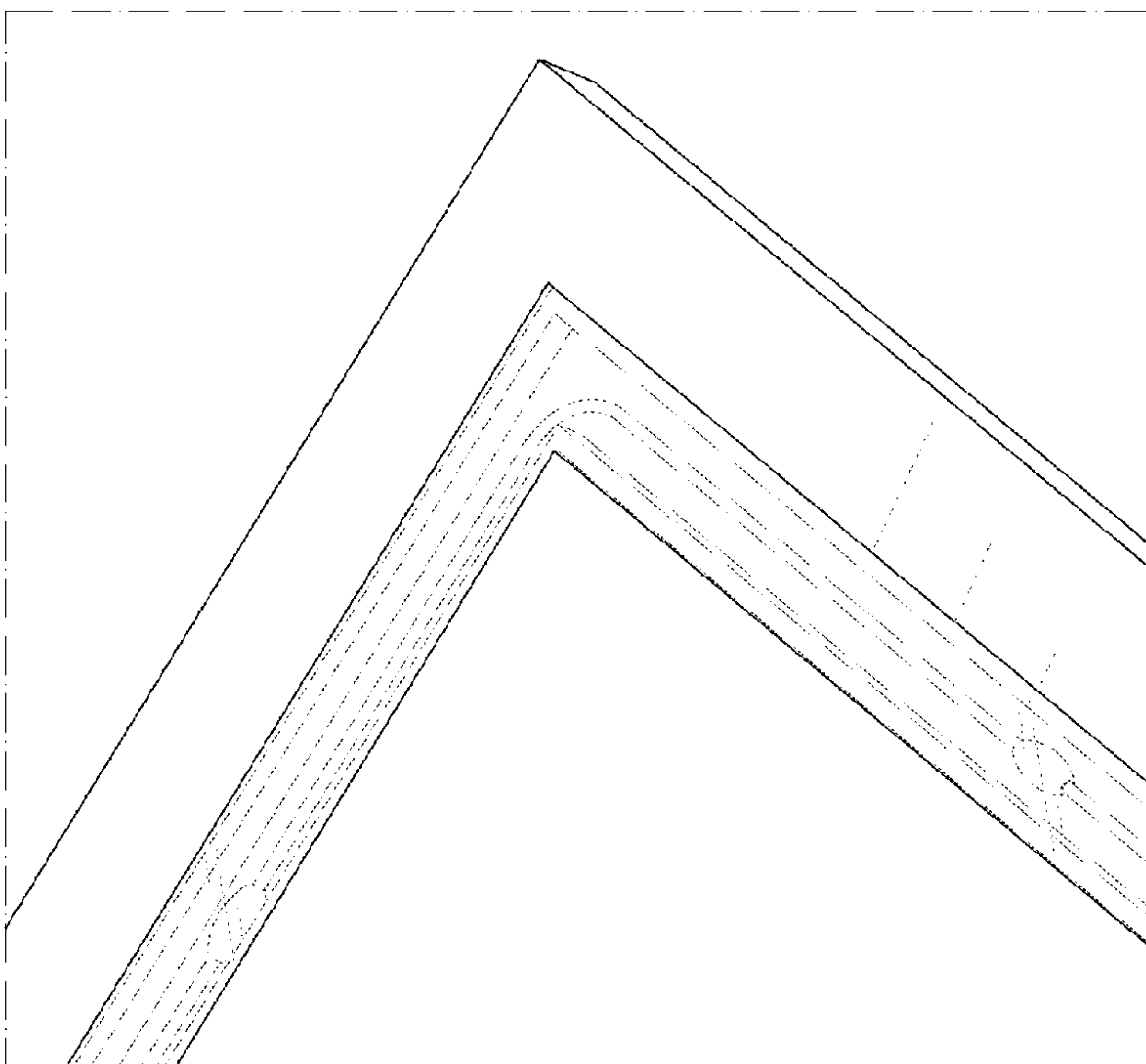


FIG. 12

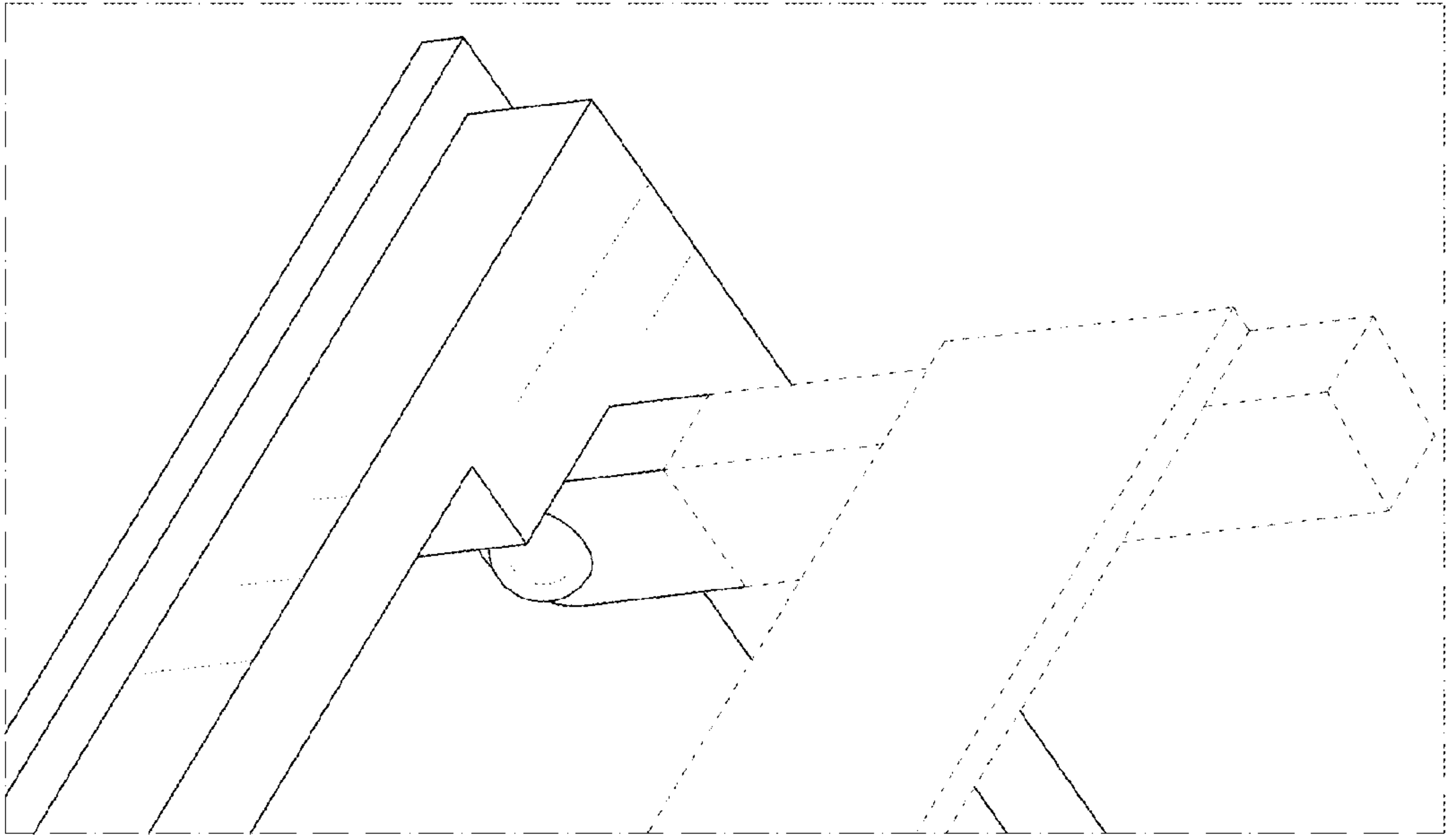


FIG. 15

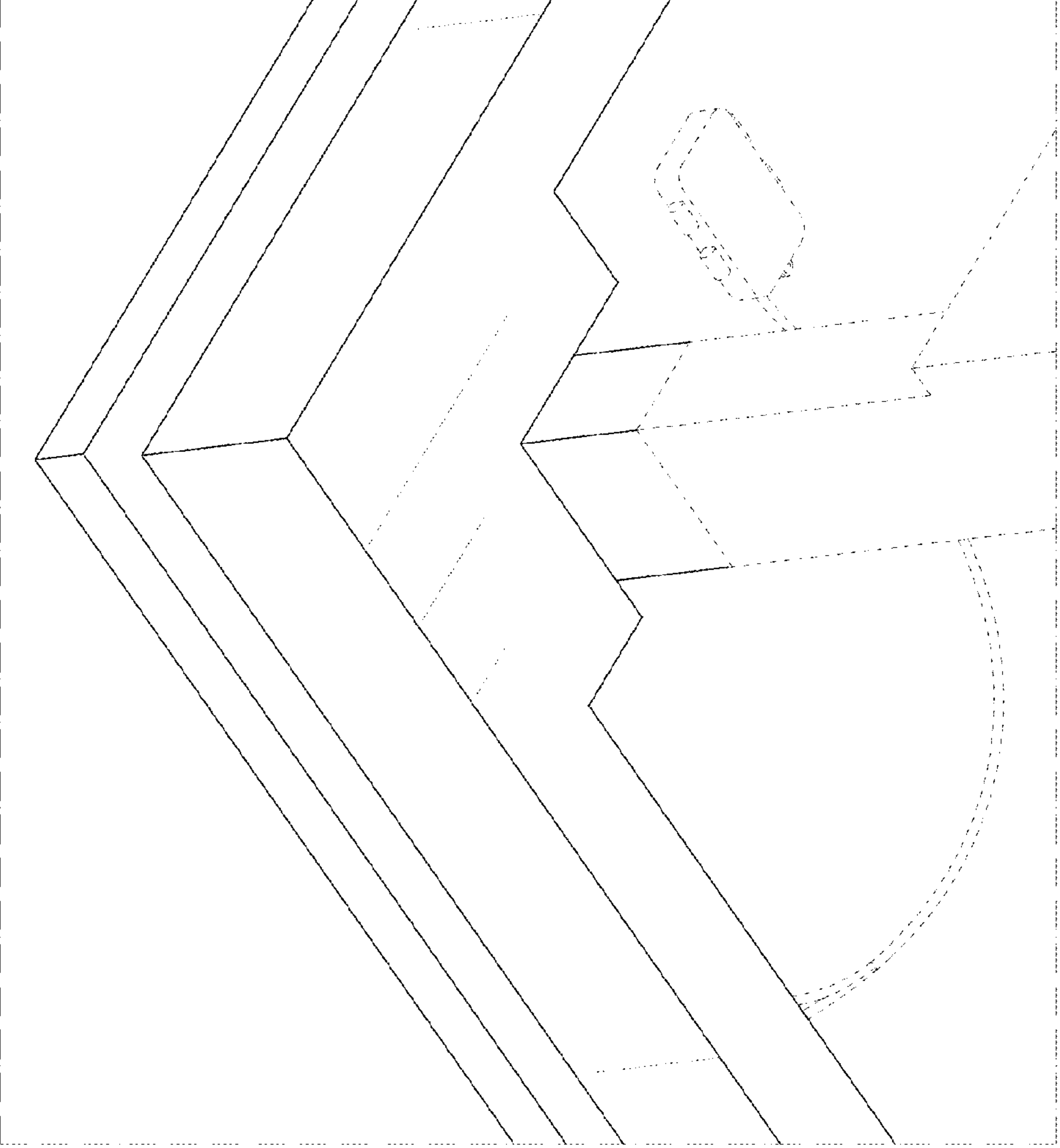


FIG. 14

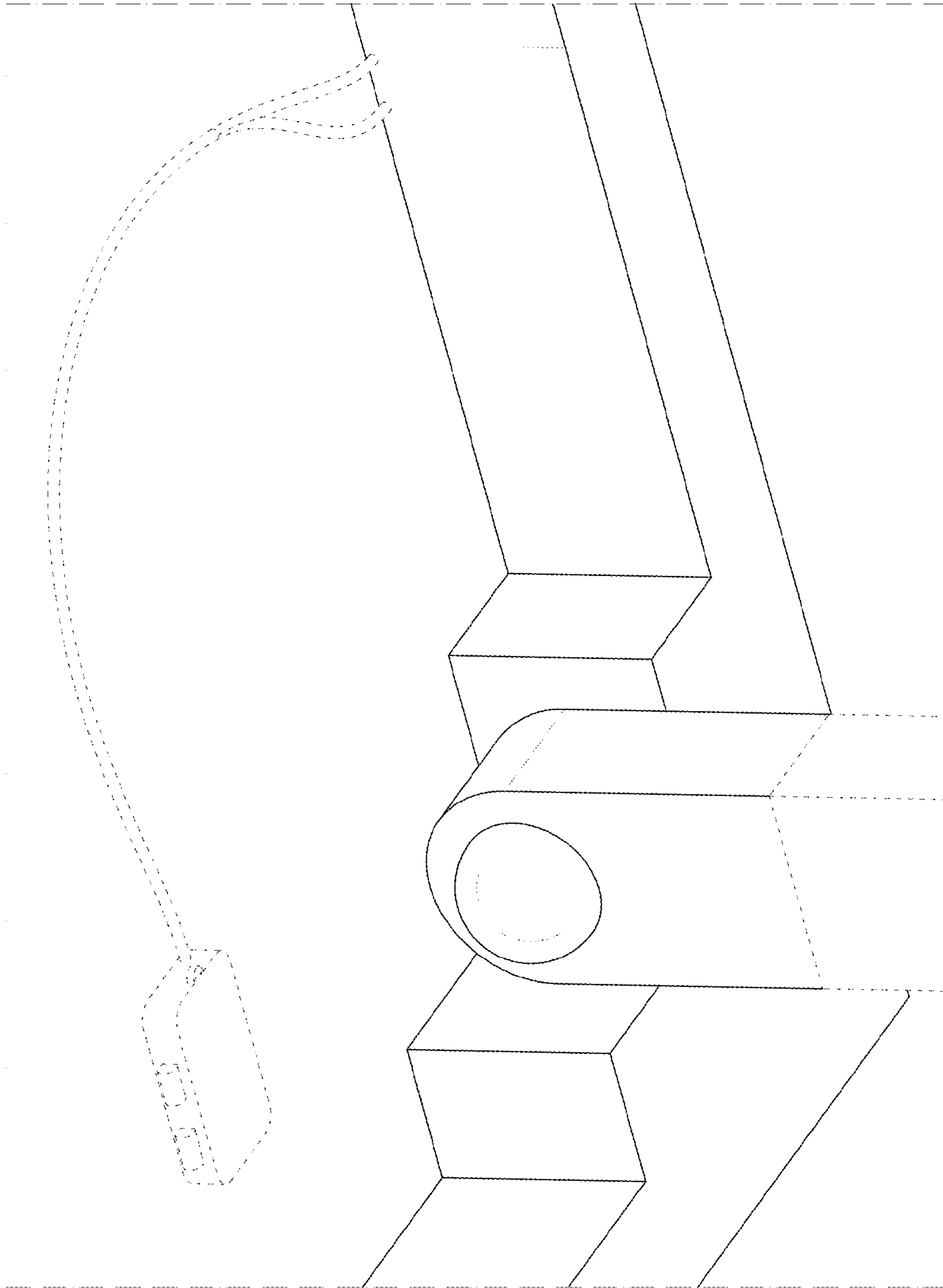


FIG. 16

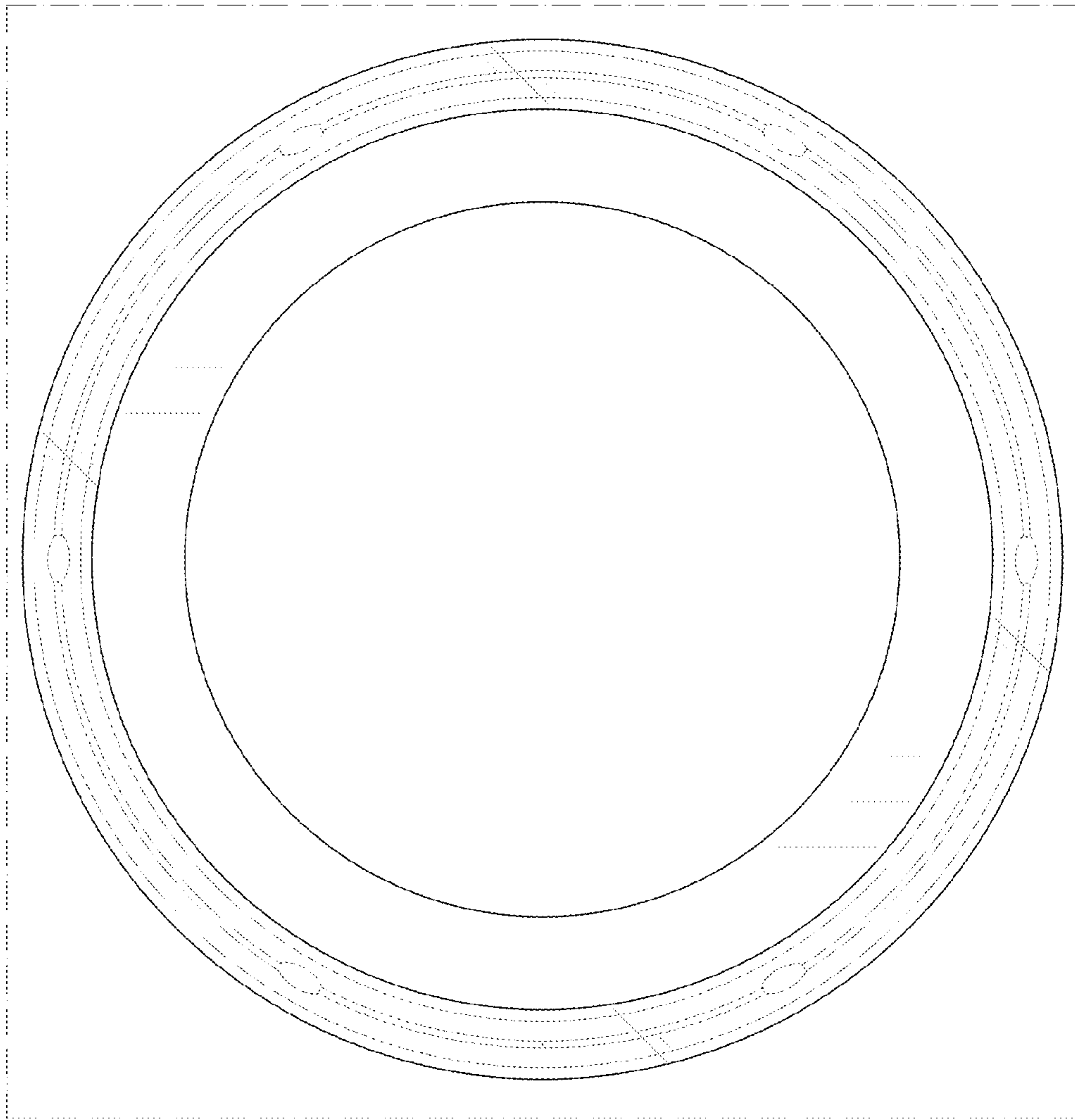


FIG. 18

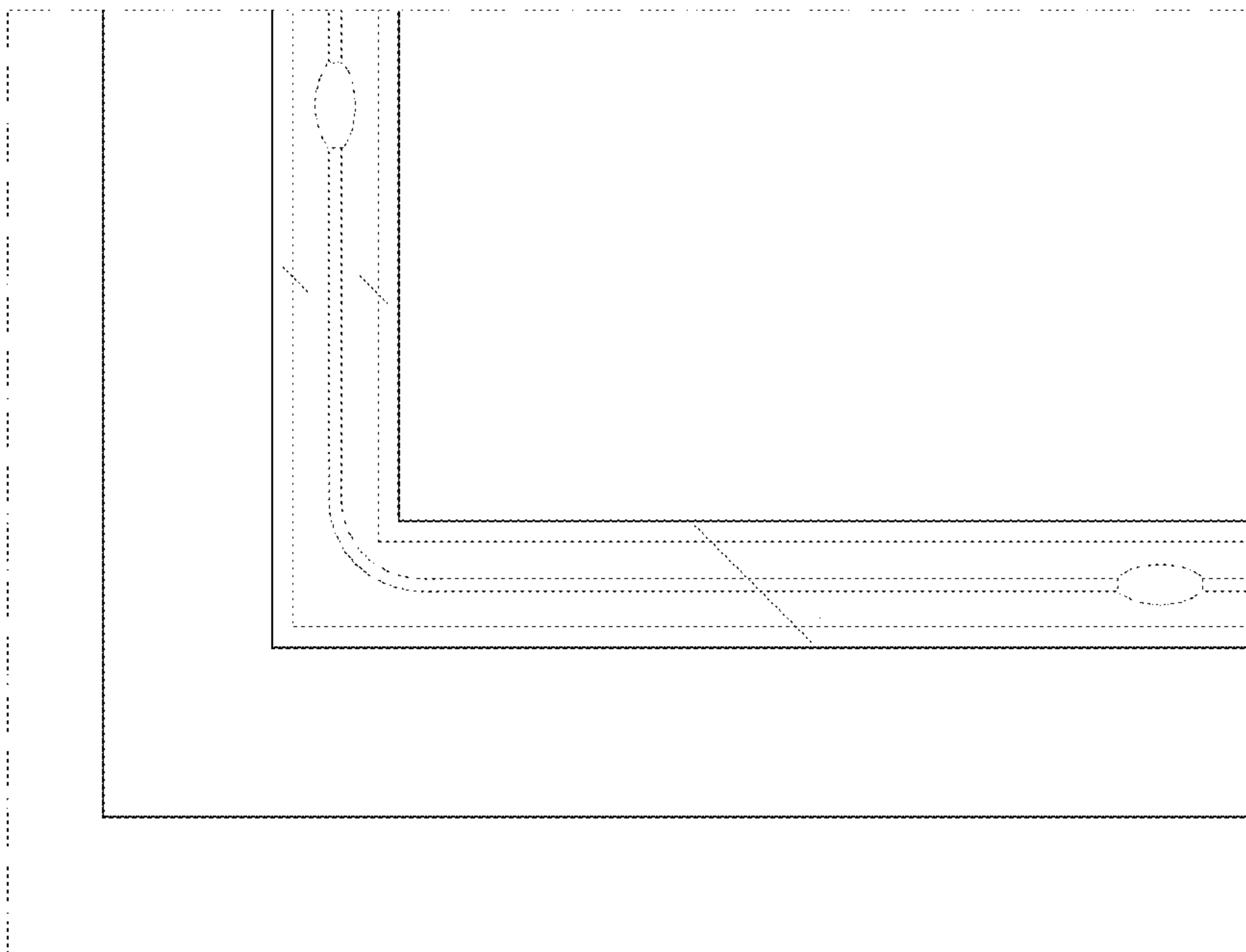


FIG. 17

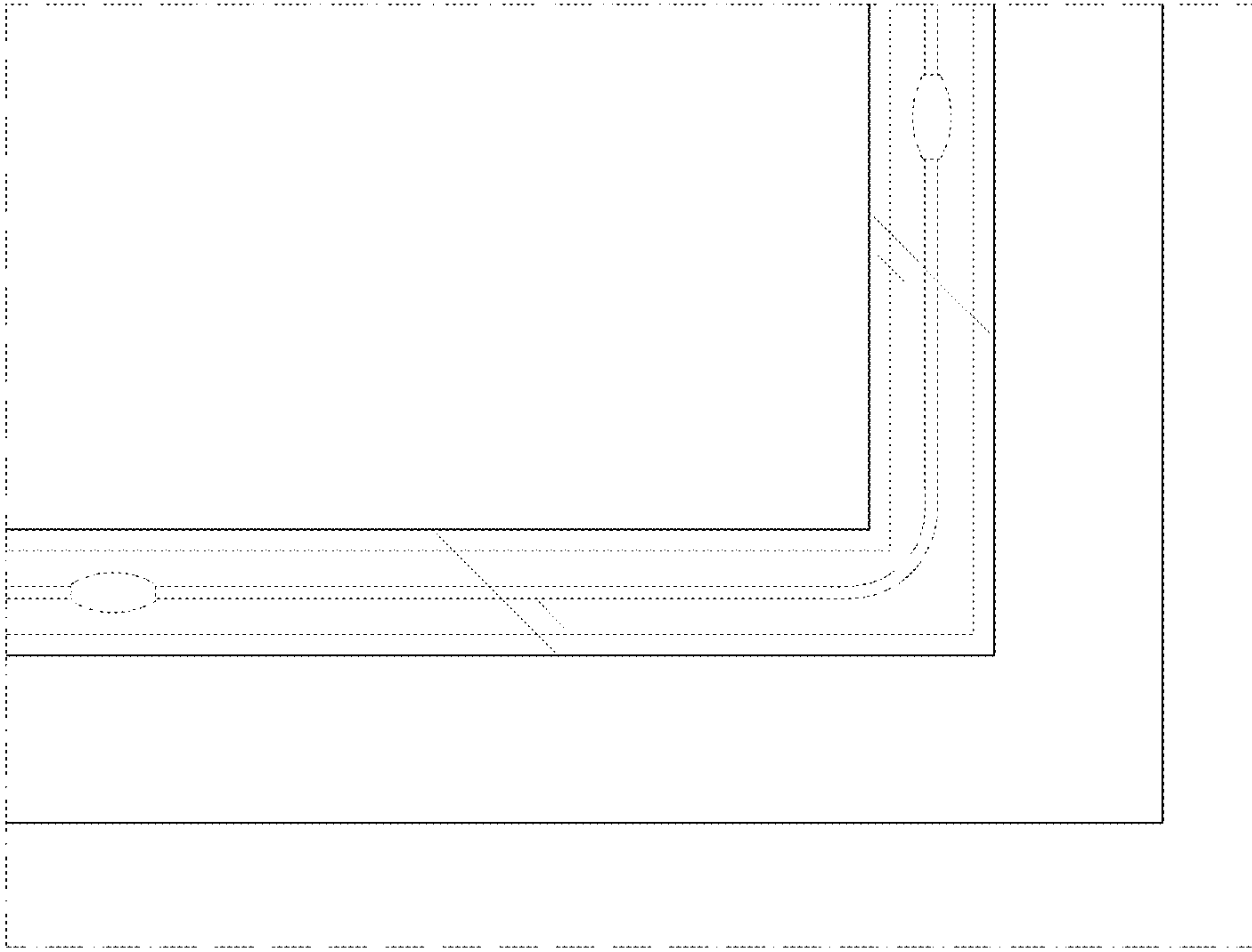


FIG. 19

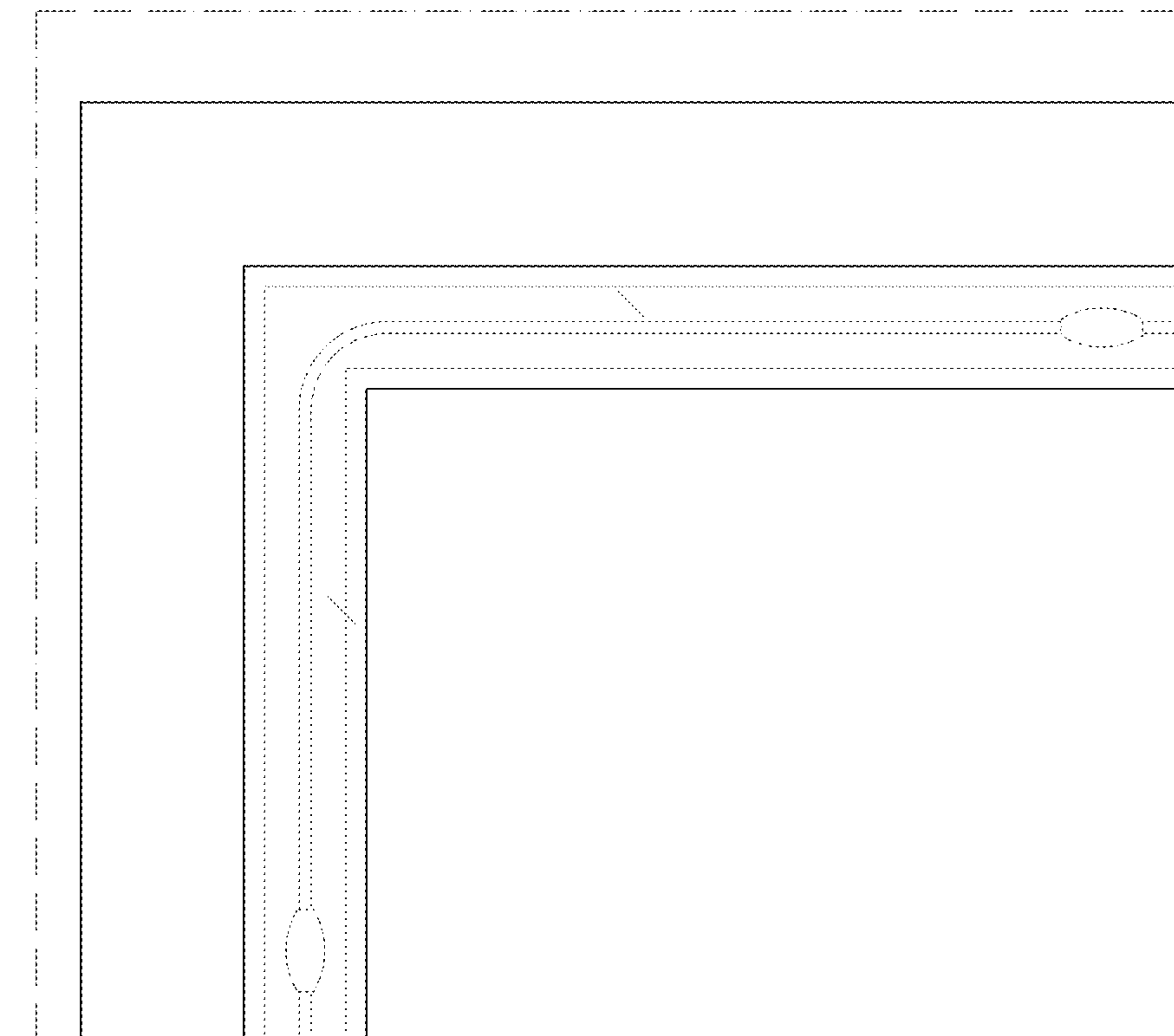


FIG. 20

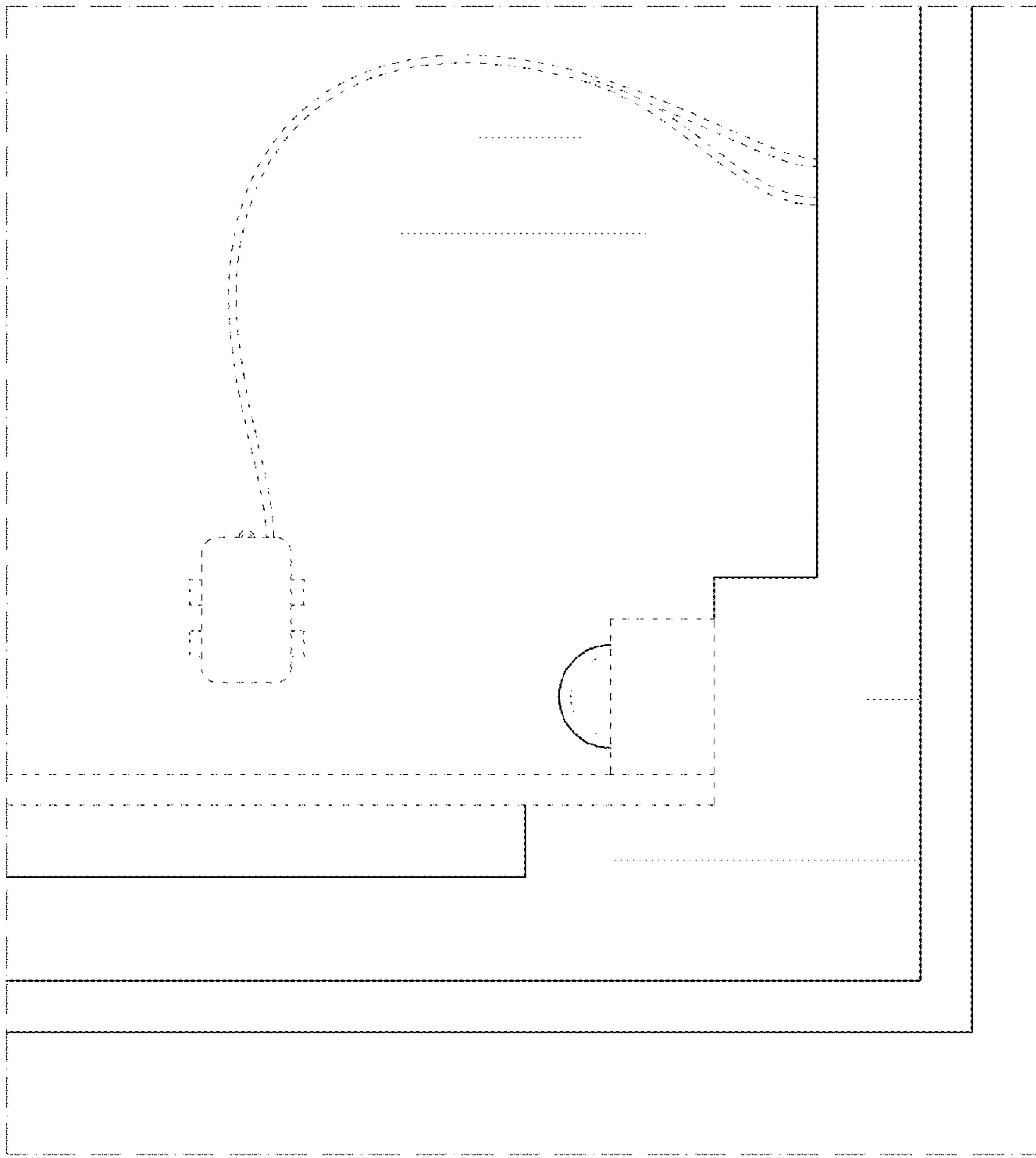


FIG. 22

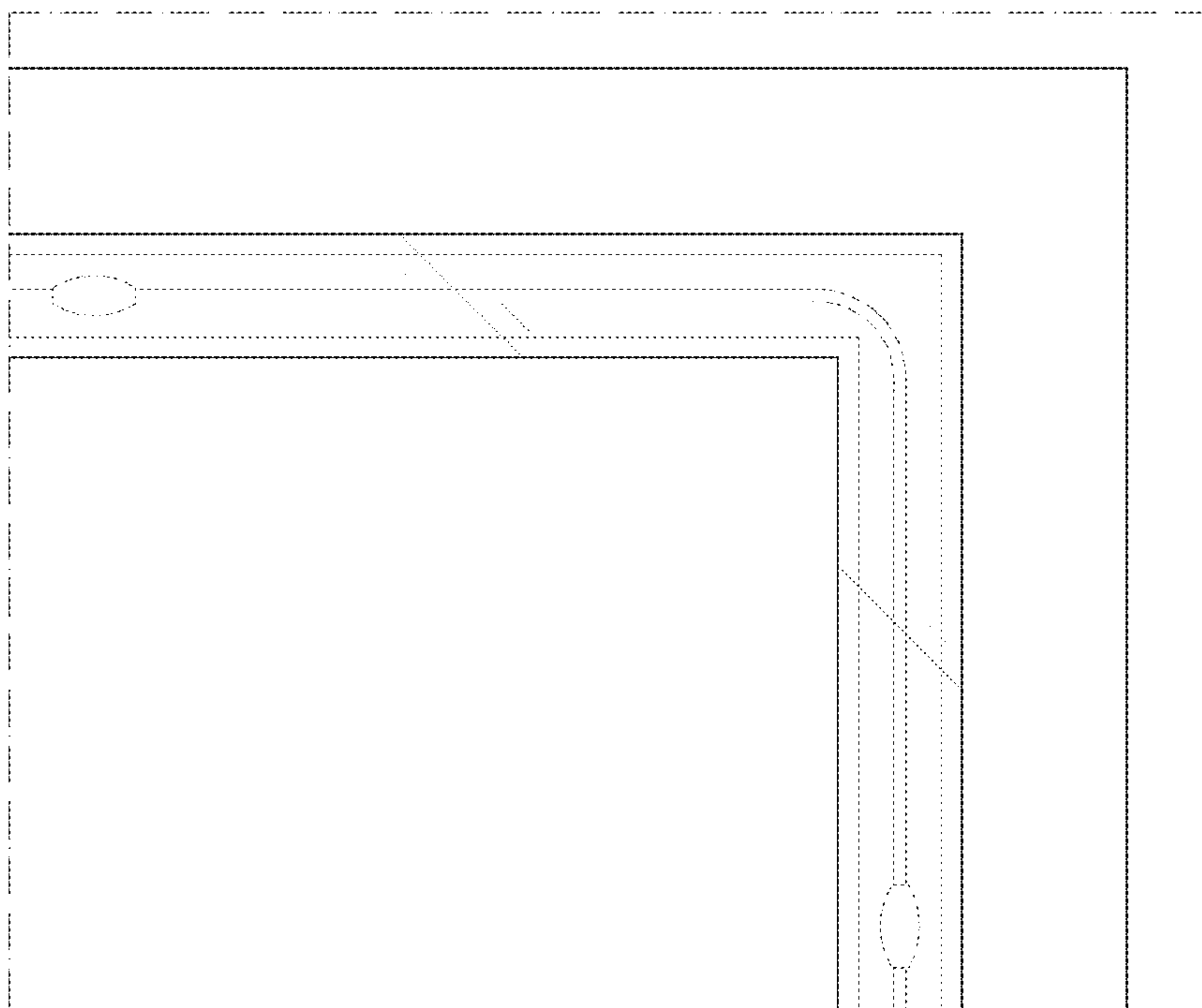


FIG. 21