



US00D989179S

(12) **United States Design Patent**  
**Nichols**

(10) **Patent No.:** **US D989,179 S**  
(45) **Date of Patent:** **\*\* Jun. 13, 2023**

(54) **GAME BOARD**

(71) Applicant: **Yardbird Outside, LLC**, Austin, TX  
(US)

(72) Inventor: **Steve Charles Nichols**, Austin, TX  
(US)

(73) Assignee: **Yardbird Outside, LLC**, Driftwood,  
TX (US)

(\*\*) Term: **15 Years**

(21) Appl. No.: **29/778,644**

(22) Filed: **Apr. 14, 2021**

(51) **LOC (14) Cl.** ..... **21-01**

(52) **U.S. Cl.**  
USPC ..... **D21/303**

(58) **Field of Classification Search**  
USPC ..... D21/300–307, 319, 335, 312, 322, 324,  
D21/342, 386, 688, 699, 705, 731;  
D6/332  
CPC ..... A63B 71/06; A63B 63/00; A63B 67/06;  
A63B 63/08; A63B 67/066; A63B 67/00;  
A63B 71/022; A63B 63/04; A63B  
63/045; F21V 23/04

See application file for complete search history.

(56) **References Cited**

**U.S. PATENT DOCUMENTS**

6,866,268 B2 \* 3/2005 Christianson ..... A63B 65/10  
273/DIG. 26  
7,607,666 B1 \* 10/2009 Studier ..... A63B 63/00  
116/222  
D621,881 S \* 8/2010 Youngberg ..... D21/303  
D635,197 S \* 3/2011 Pryor ..... D21/303  
8,162,318 B1 \* 4/2012 Peterson ..... A63B 67/06  
273/343

D729,319 S \* 5/2015 Meissner ..... D21/303  
9,381,414 B1 \* 7/2016 Gatton ..... A63B 63/08  
11,173,363 B1 \* 11/2021 Pontrelli ..... A63B 71/023  
D955,482 S \* 6/2022 Turner ..... D21/303  
D966,415 S \* 10/2022 Zhuang ..... D21/303  
2006/0125186 A1 6/2006 Digges et al.  
2008/0042360 A1 2/2008 Veikley  
2013/0082442 A1 \* 4/2013 Hanel ..... A63B 67/06  
273/398  
2014/0151963 A1 \* 6/2014 Bennett ..... A63B 71/0036  
29/890.035  
2015/0108719 A1 4/2015 Devine  
2017/0138586 A1 \* 5/2017 Finch ..... F21V 21/088  
2018/0043227 A1 \* 2/2018 Segerstrom ..... A63B 67/06  
2018/0085649 A1 3/2018 O'Neill  
2019/0381379 A1 12/2019 Angel et al.  
2020/0001158 A1 1/2020 Poetter  
2021/0308550 A1 \* 10/2021 Li ..... A63B 71/0622  
2022/0331676 A1 \* 10/2022 Nichols ..... A63B 63/08

\* cited by examiner

*Primary Examiner* — Mehri F Bajoul

(74) *Attorney, Agent, or Firm* — Banner & Witcoff, Ltd.

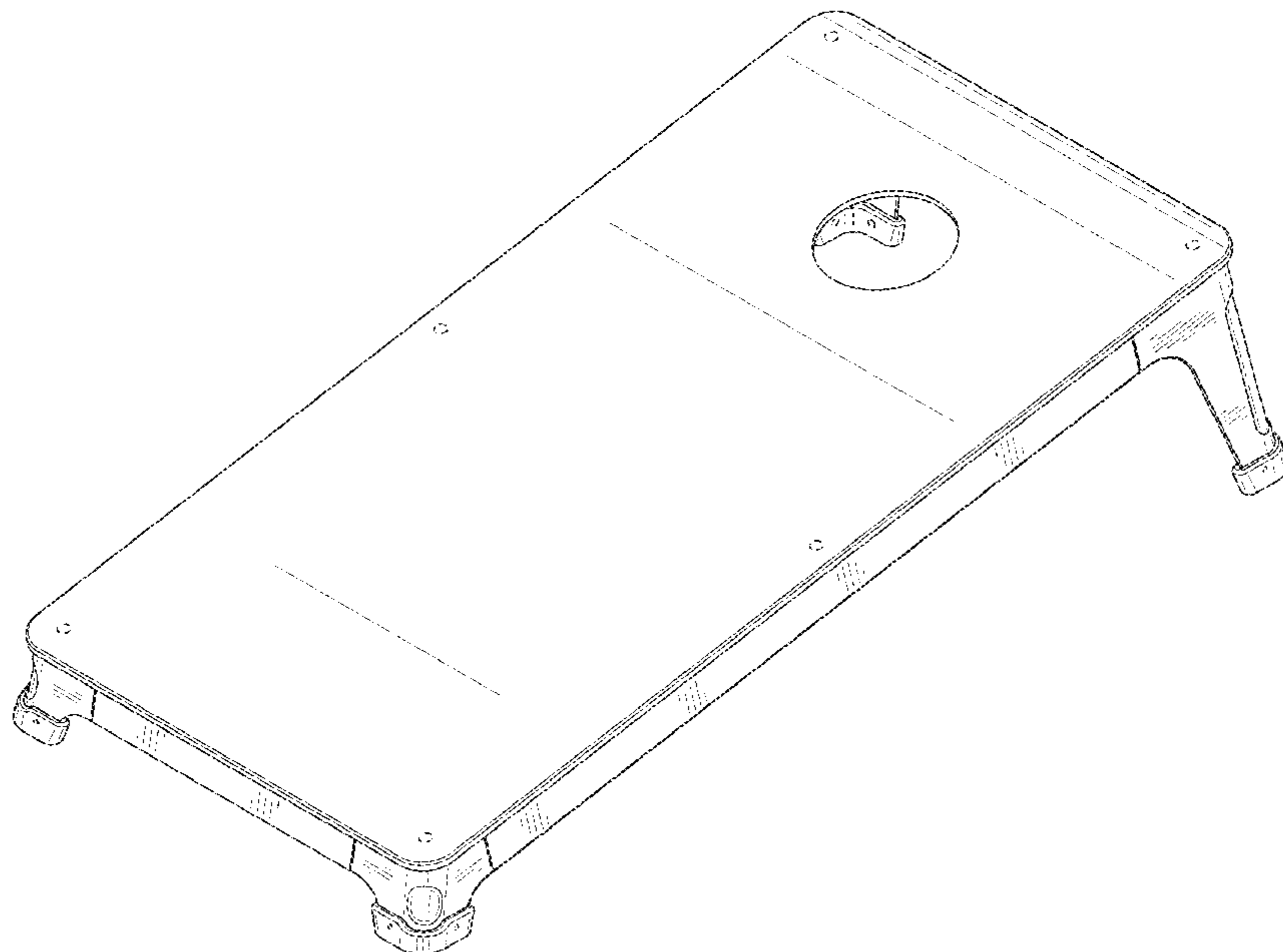
(57) **CLAIM**

The ornamental design for a game board, as shown and described.

**DESCRIPTION**

FIG. 1 is a front, top, right perspective view of a cornhole game showing my new design;  
FIG. 2 is a right side elevational view thereof;  
FIG. 3 is a left side elevational side view thereof;  
FIG. 4 is a front elevational view thereof;  
FIG. 5 is a rear elevational view thereof;  
FIG. 6 is a top plan view thereof; and,  
FIG. 7 is a bottom plan view thereof.  
The broken lines depicting portions of the cornhole game form no part of the claimed design.

**1 Claim, 7 Drawing Sheets**



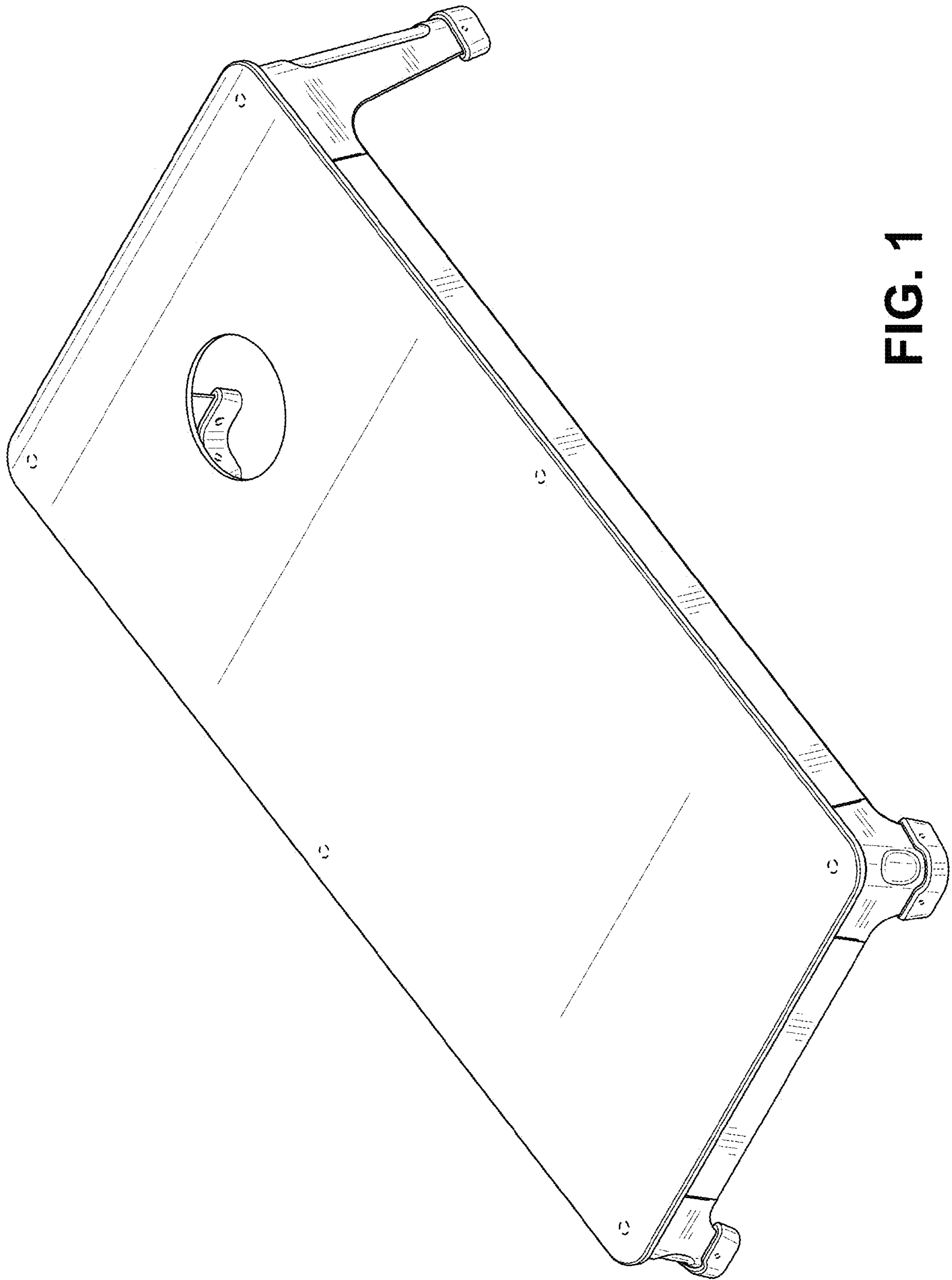


FIG. 1

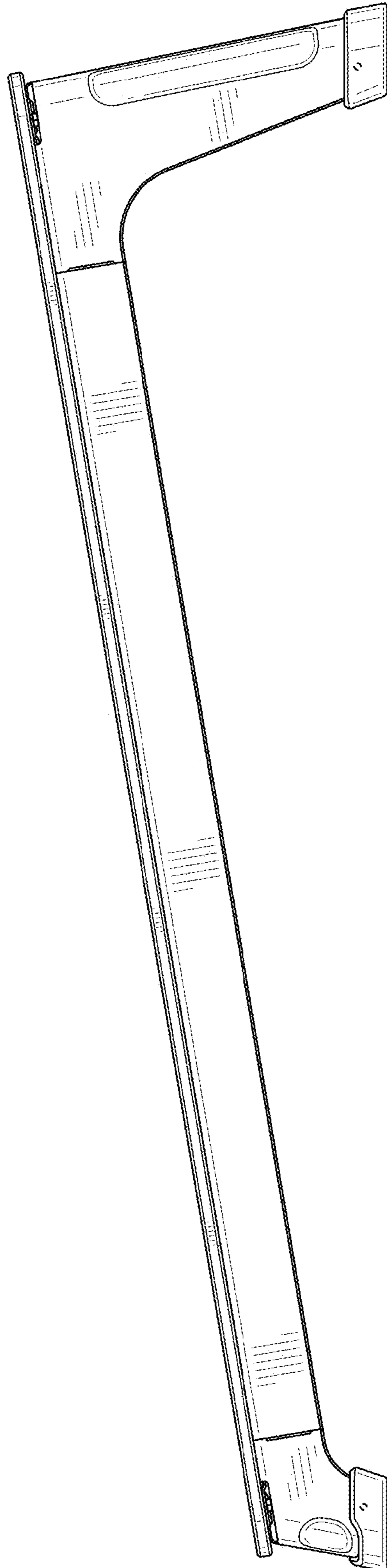


FIG. 2

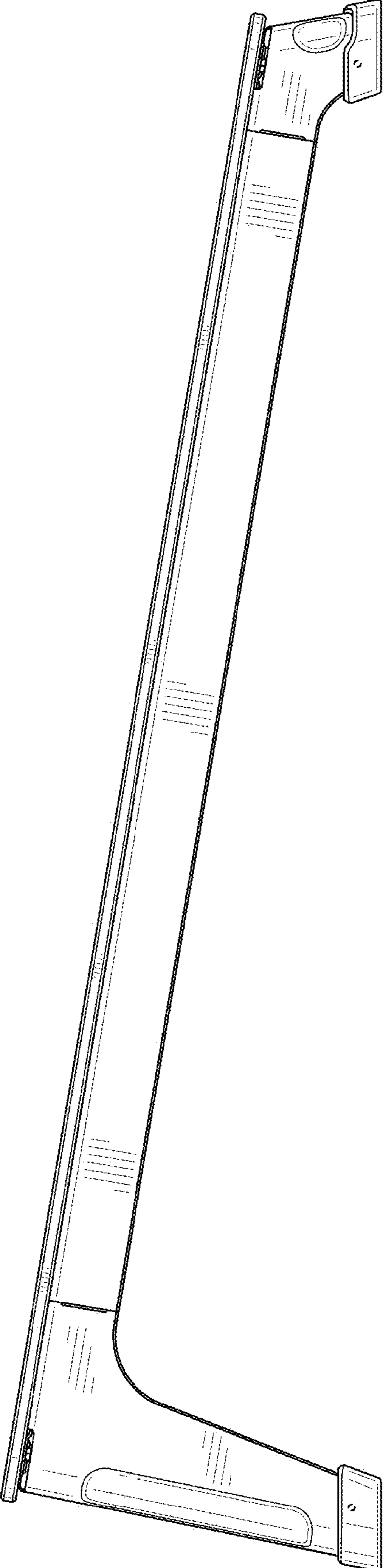


FIG. 3

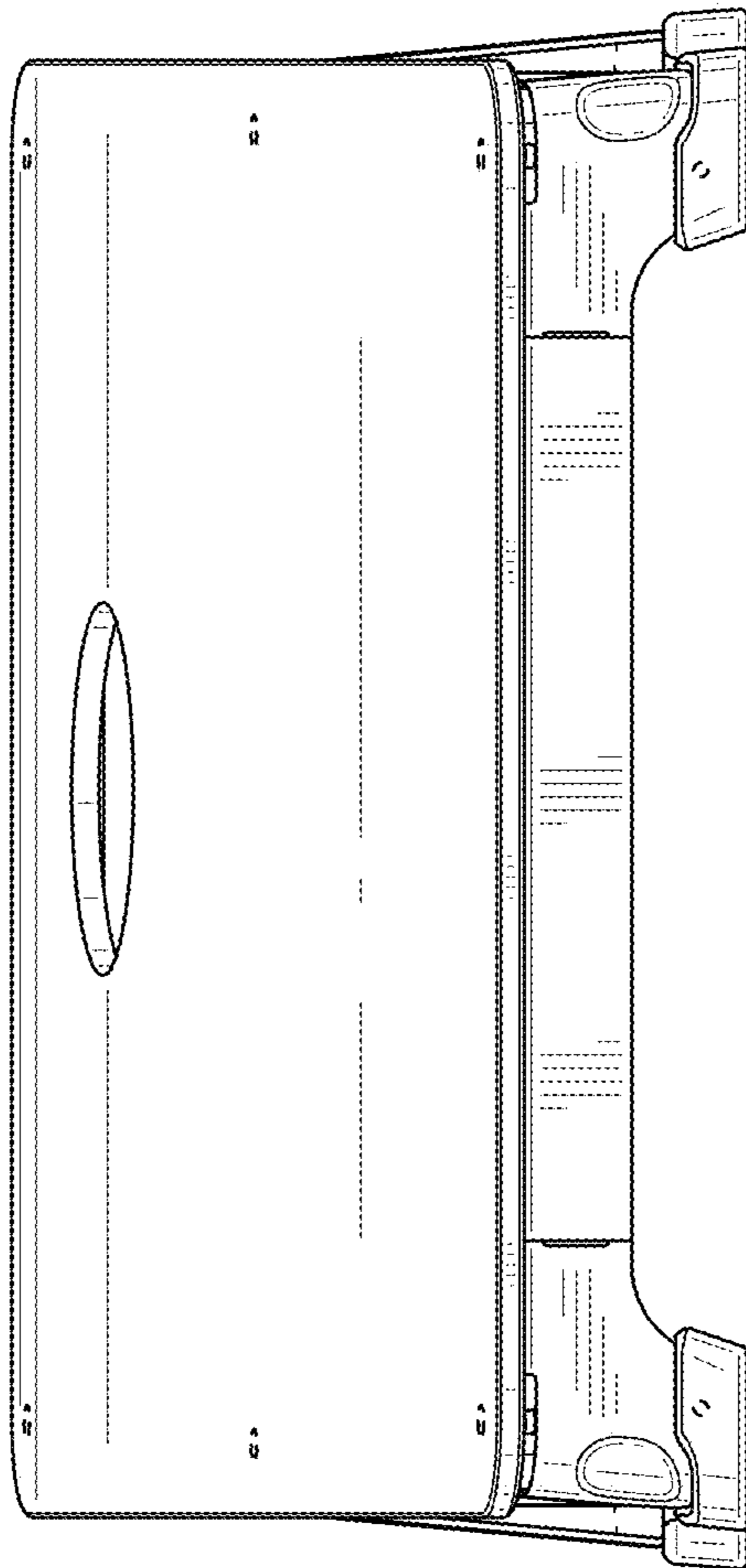


FIG. 4

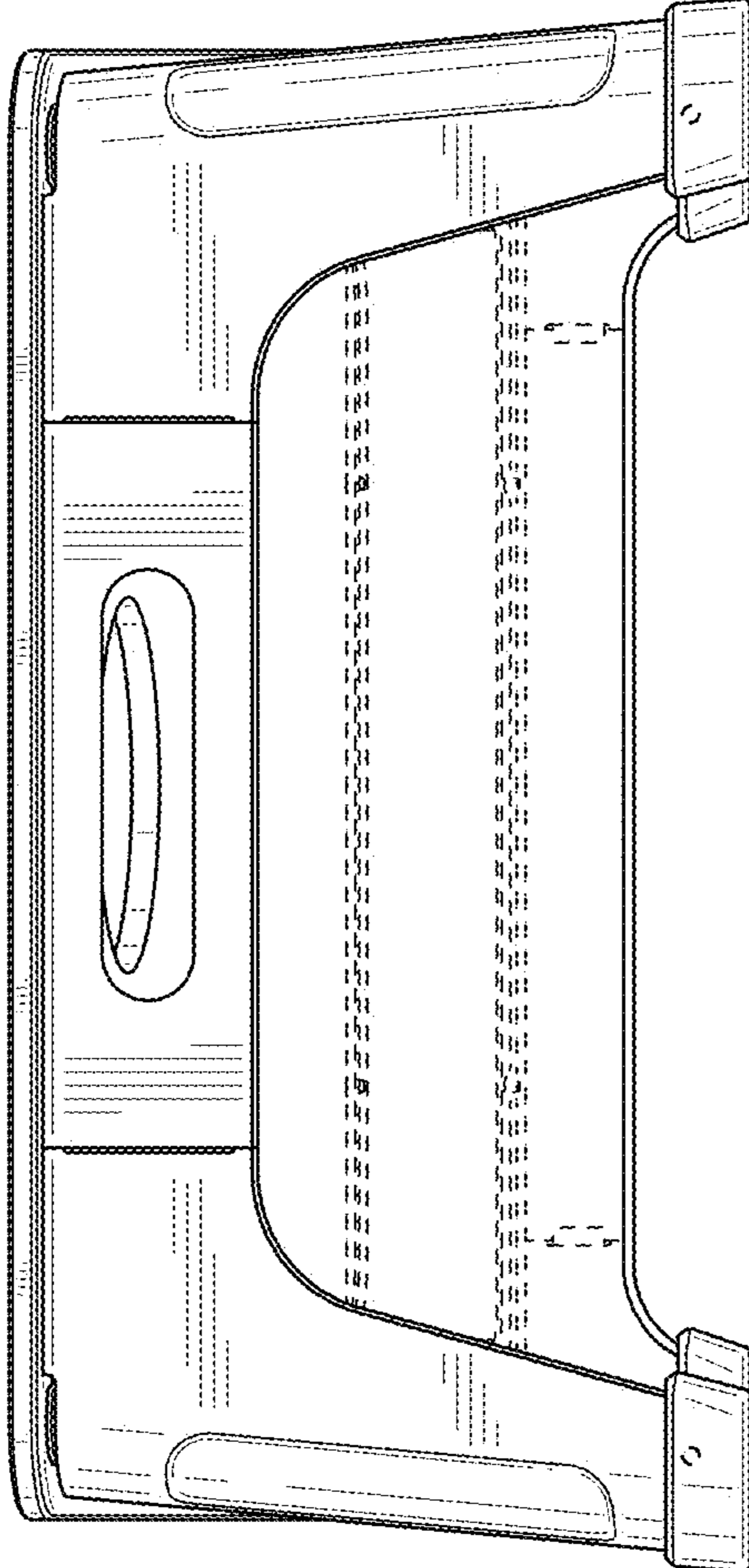


FIG. 5

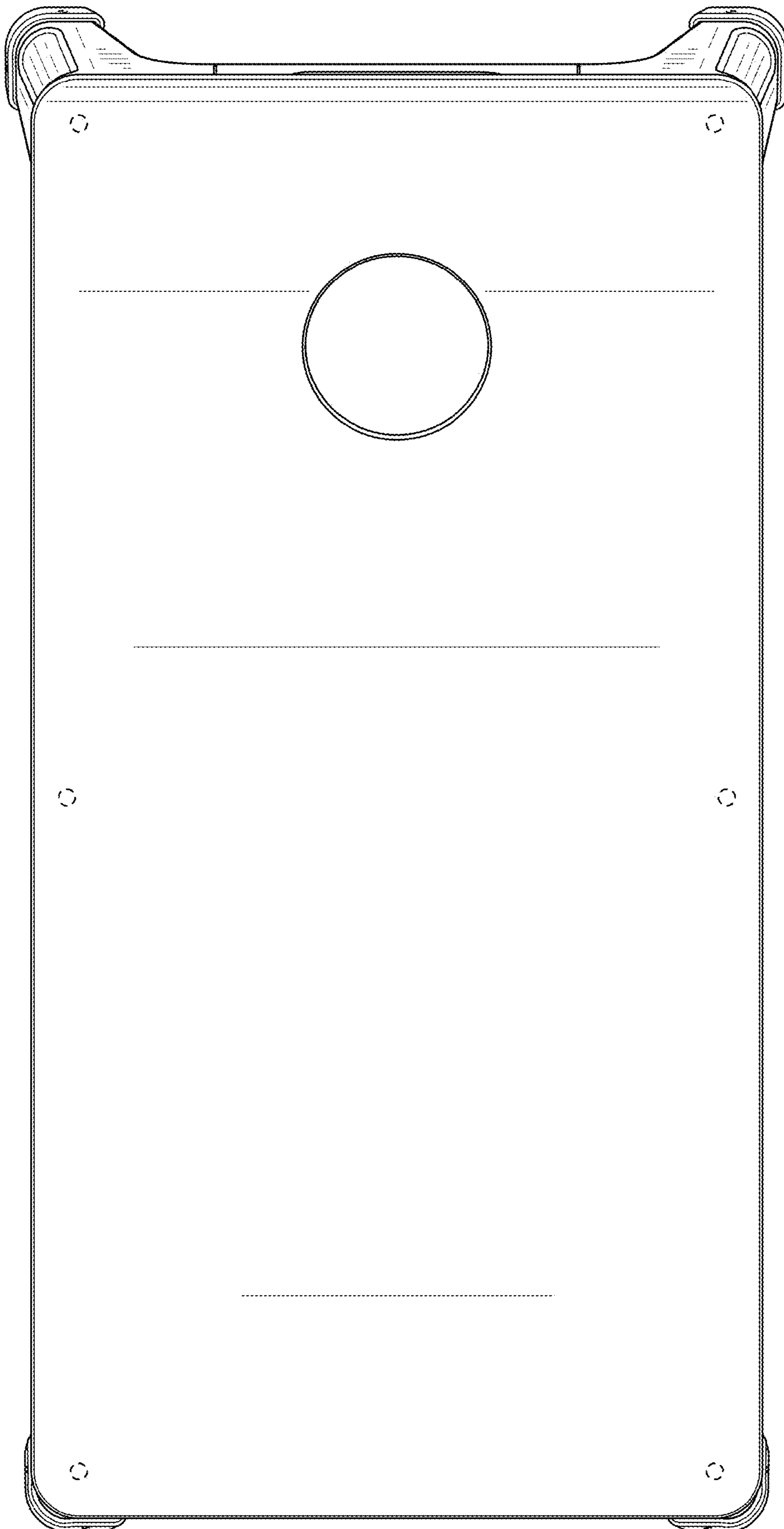


FIG. 6

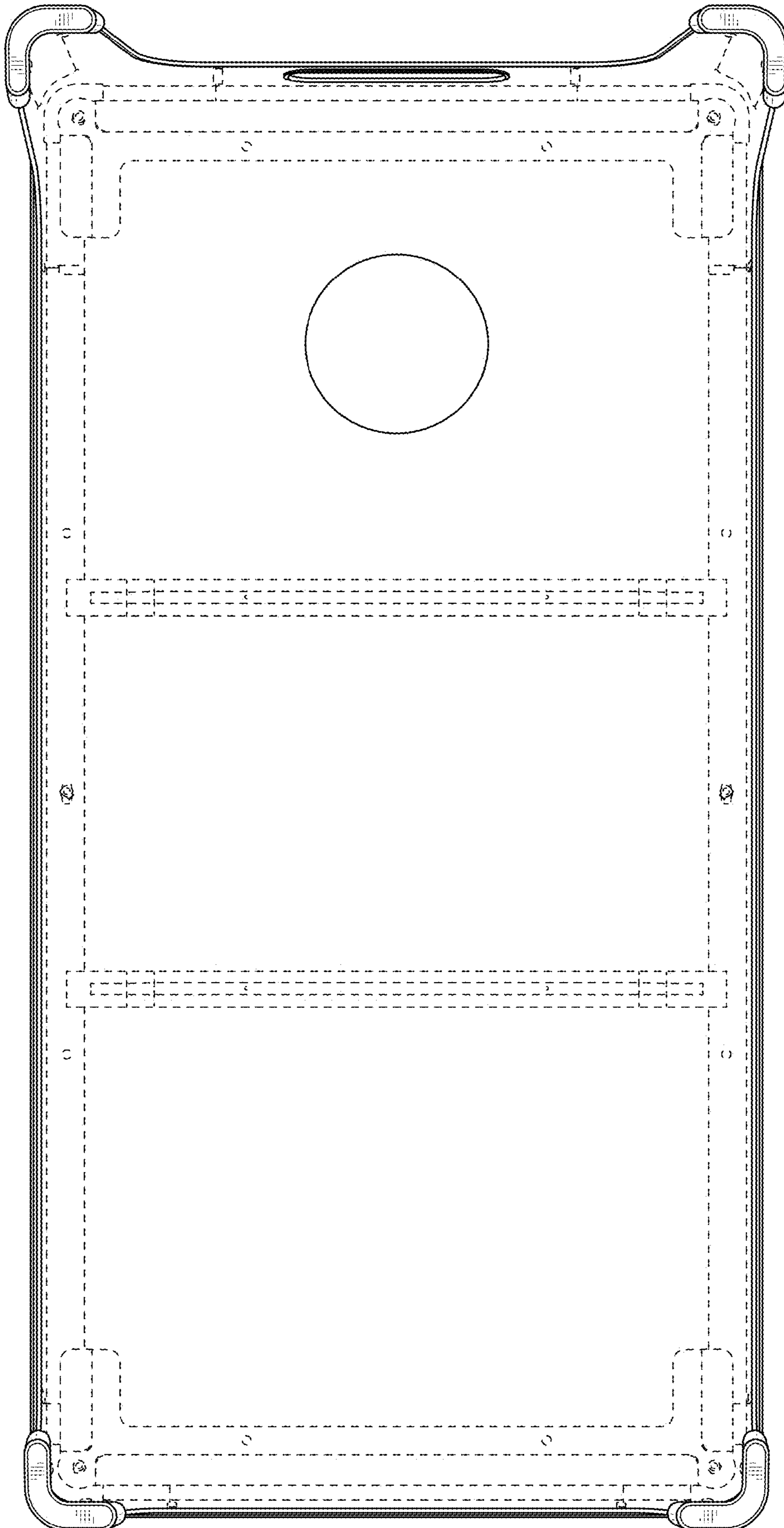


FIG. 7