



US00D989178S

(12) **United States Design Patent**
Tian

(10) **Patent No.:** **US D989,178 S**

(45) **Date of Patent:** **** Jun. 13, 2023**

(54) **INFLATABLE TOY**

(71) Applicant: **Xin Tian**, Ganzhou (CN)

(72) Inventor: **Xin Tian**, Ganzhou (CN)

(**) Term: **15 Years**

(21) Appl. No.: **29/820,229**

(22) Filed: **Dec. 21, 2021**

(51) **LOC (14) Cl.** **21-01**

(52) **U.S. Cl.**
USPC **D20/29; D20/31; D21/808**

(58) **Field of Classification Search**
USPC D6/597–599, 601; D11/57, 134, 137,
D11/158, 162, 141; D20/29–31;
D21/490, 576–596, 598, 599, 602,
D21/606–609, 611, 618–620, 661, 653,
D21/656, 658, 808

CPC A63H 3/00
See application file for complete search history.

(56) **References Cited**

U.S. PATENT DOCUMENTS

D340,484 S	*	10/1993	Sachetti	D21/615
D349,530 S	*	8/1994	Pedersen	D21/615
D423,612 S	*	4/2000	Tatopoulos	D21/615
D478,362 S	*	8/2003	Nakase	D21/578
D479,862 S	*	9/2003	Takahashi	D21/578
D554,713 S	*	11/2007	Wong	D21/578
D590,455 S	*	4/2009	Sato	D21/584
D747,777 S	*	1/2016	Greenly	D21/615
D762,271 S	*	7/2016	Chow	D21/615
D785,724 S	*	5/2017	Morales	D21/615
D798,620 S		10/2017	Liu		
D858,674 S		9/2019	Shu		
D870,215 S	*	12/2019	Ikoma	D21/615
D871,516 S	*	12/2019	Katayama	D21/615
D881,288 S	*	4/2020	Katayama	D21/578
D883,403 S	*	5/2020	Chen	D21/615
D886,917 S	*	6/2020	Ikoma	D21/615

OTHER PUBLICATIONS

“Decalare 6FT Inflatable Christmas Yard”, Nov. 4, 2021, site visited Dec. 4, 2022: [https://www.amazon.com/Decalare-inflatable-Christmas-decorations-decoration/dp/B09FFDKN4G/\(Year: 2021\).](https://www.amazon.com/Decalare-inflatable-Christmas-decorations-decoration/dp/B09FFDKN4G/(Year: 2021).)*

* cited by examiner

Primary Examiner — Michael C Stout

Assistant Examiner — Melvin L Davis

(74) *Attorney, Agent, or Firm* — Daniel M. Cohn;

Howard M. Cohn

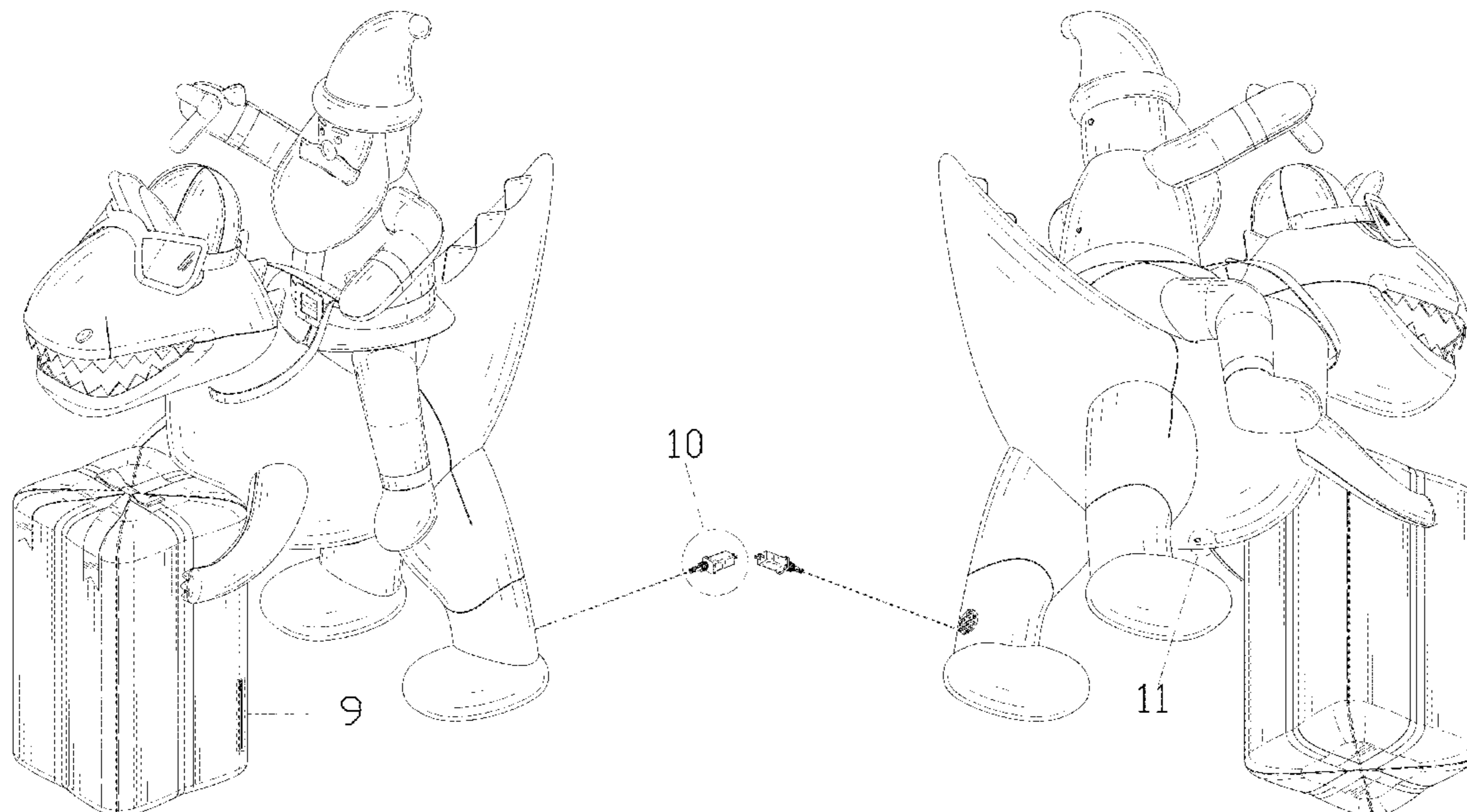
(57) **CLAIM**

The ornamental design for an inflatable toy, as shown and described.

DESCRIPTION

FIG. 1 is a perspective view of an inflatable toy showing my new design;
FIG. 2 is another perspective view thereof;
FIG. 3 is a front elevational view thereof;
FIG. 4 is a rear elevational view thereof;
FIG. 5 is a left side elevational view thereof;
FIG. 6 is a right side elevational view thereof;
FIG. 7 is a top plan view thereof;
FIG. 8 is a bottom plan view thereof;
FIG. 9 is an enlarged view of portion 9 shown in FIG. 1;
FIG. 10 is an enlarged view of portion 10 shown in FIG. 1;
and,
FIG. 11 is an enlarged view of portion 11 shown in FIG. 2.
The dash-dash broken lines in the drawings depict portions of the inflatable toy that form no part of the claimed design.
The dot-dash broken lines represent boundaries of the enlarged portions and form no part of the claimed design.

1 Claim, 11 Drawing Sheets



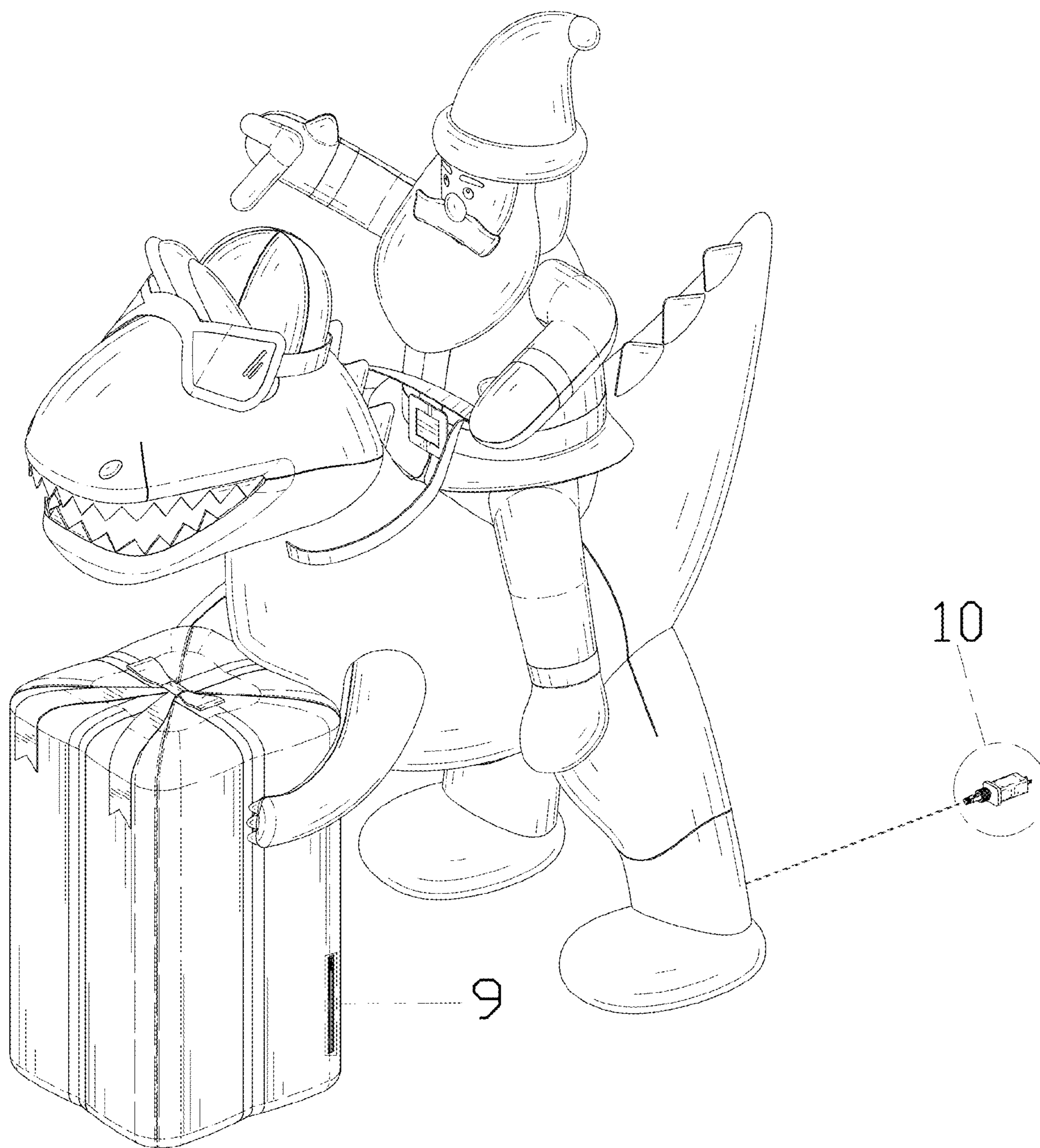


FIG. 1

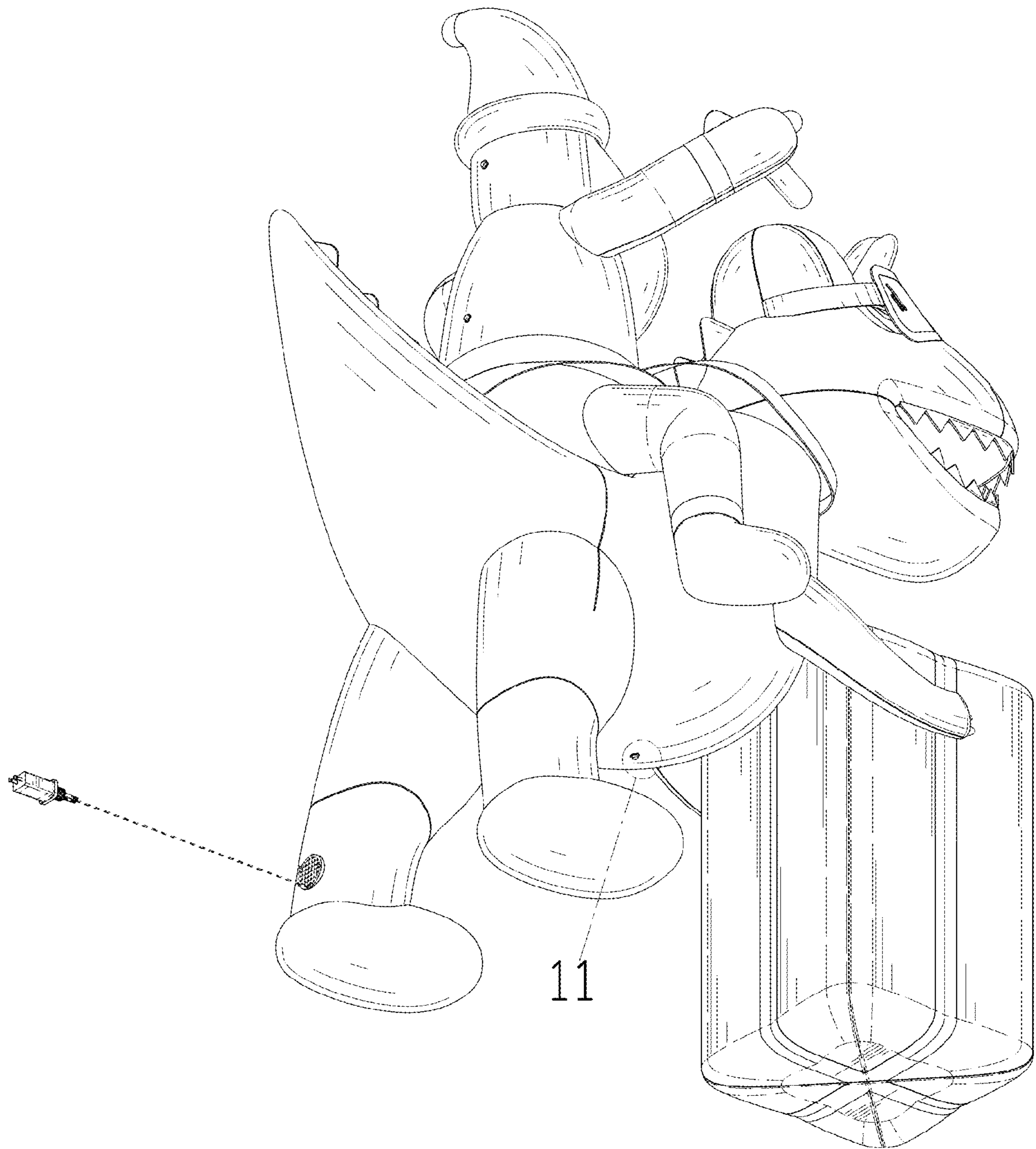


FIG. 2

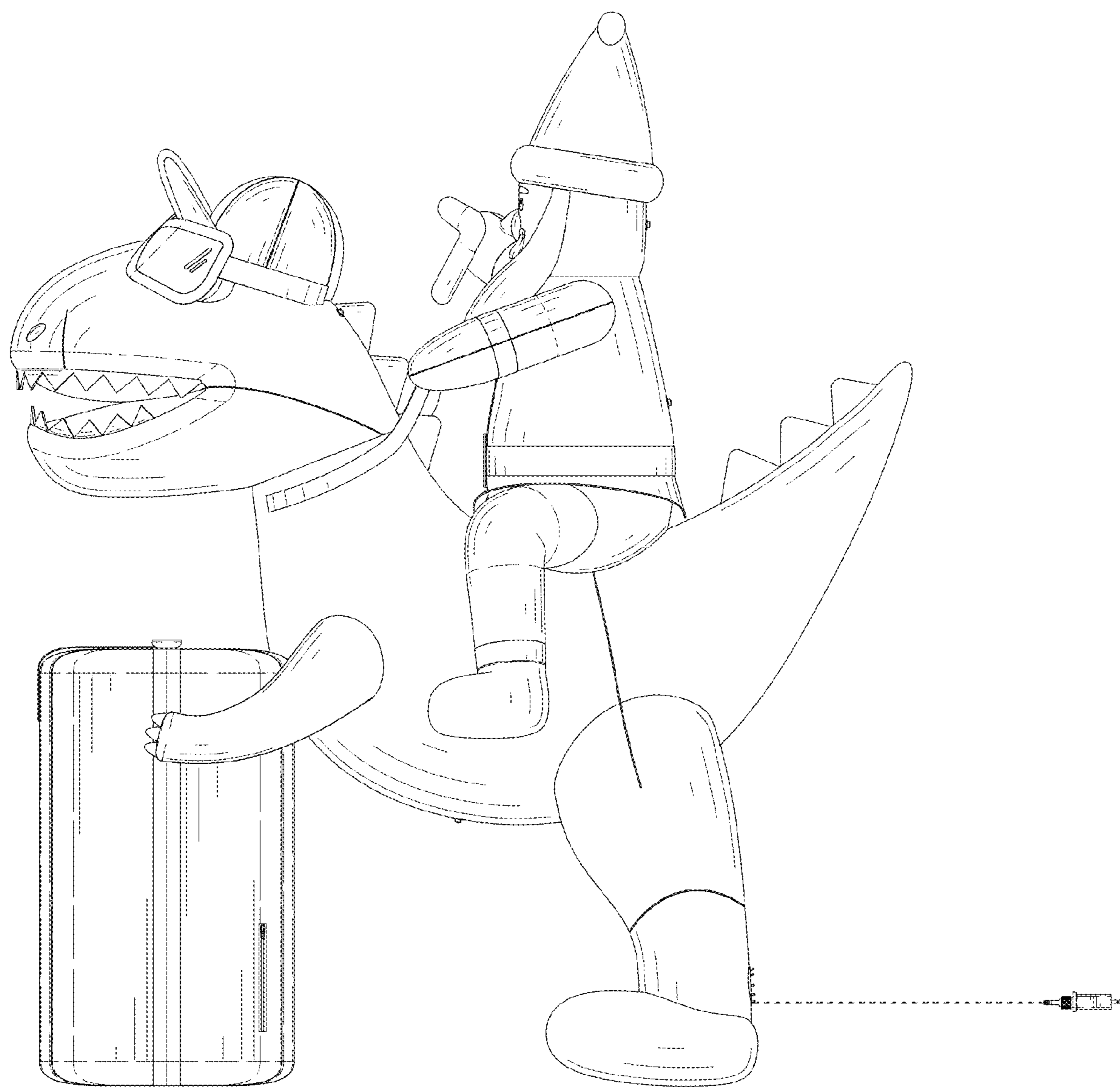


FIG. 3



FIG. 4

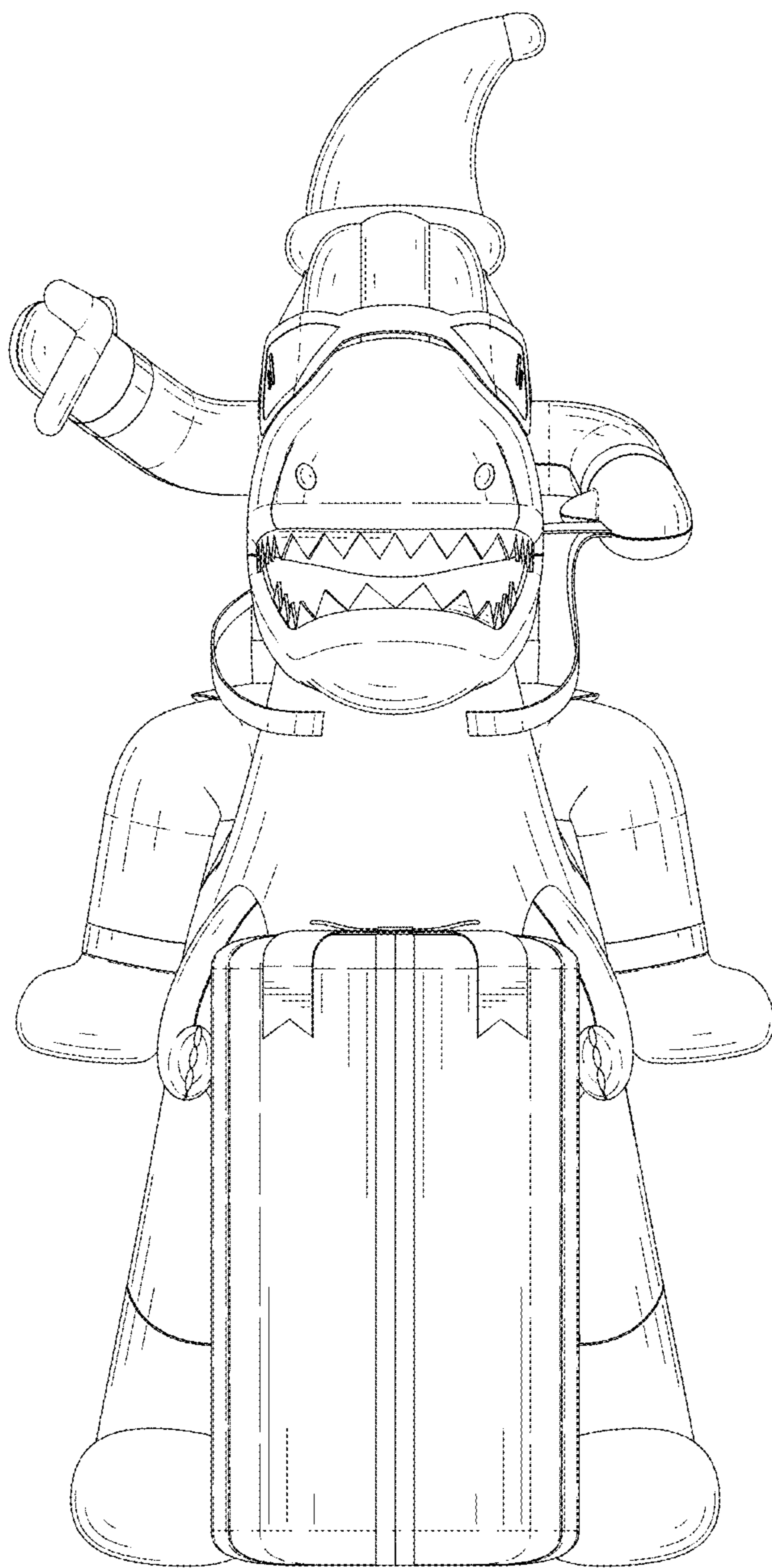


FIG. 5

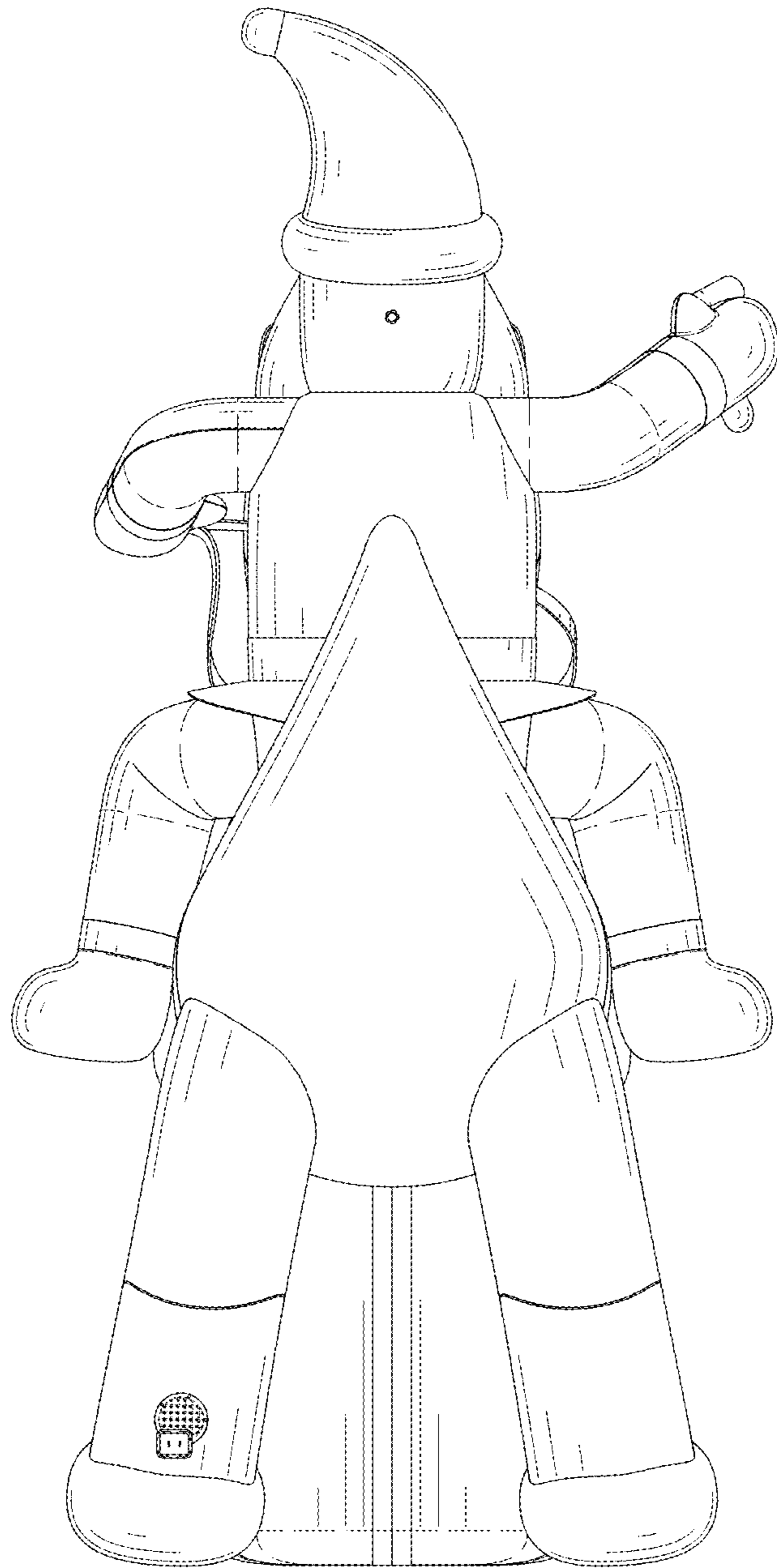


FIG. 6

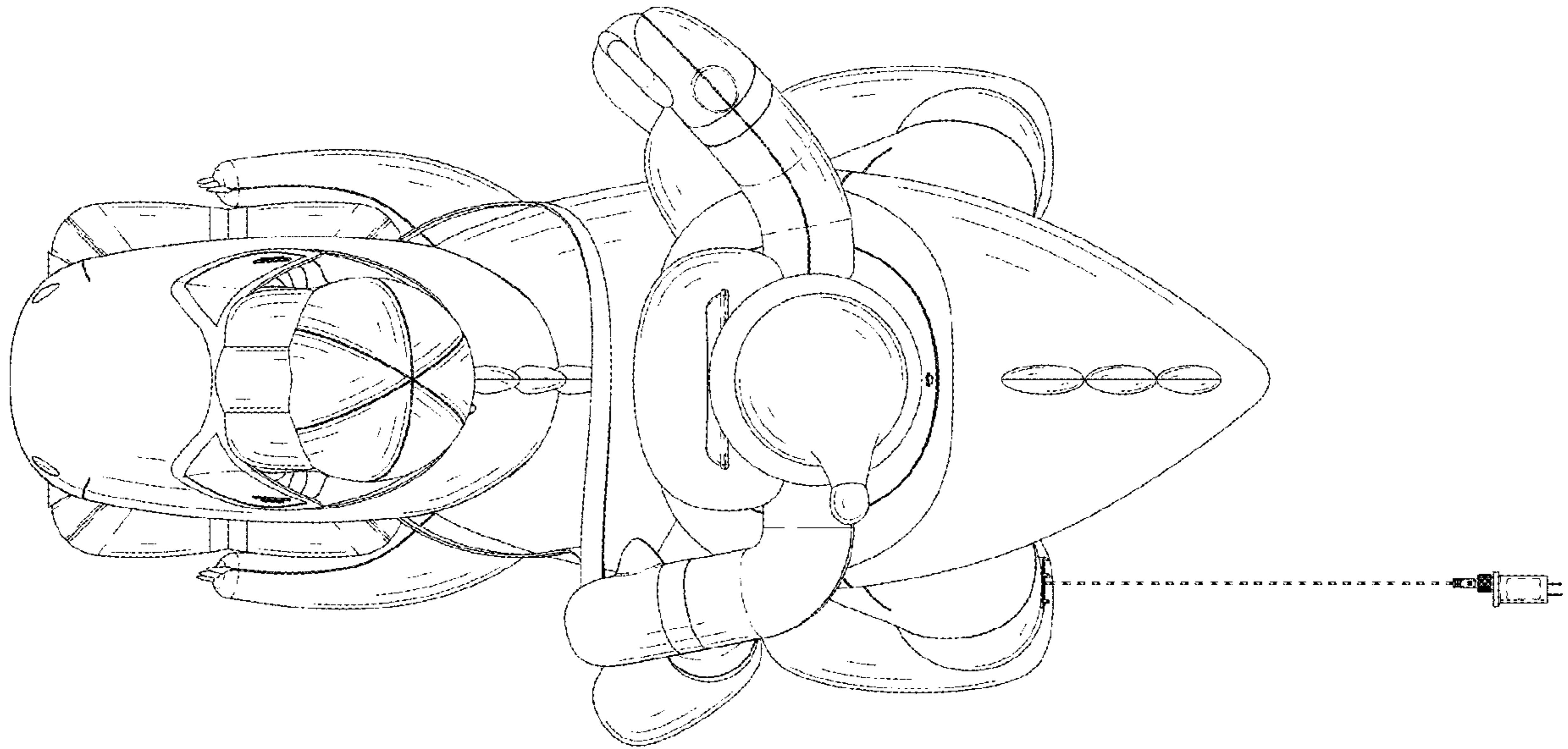


FIG. 7

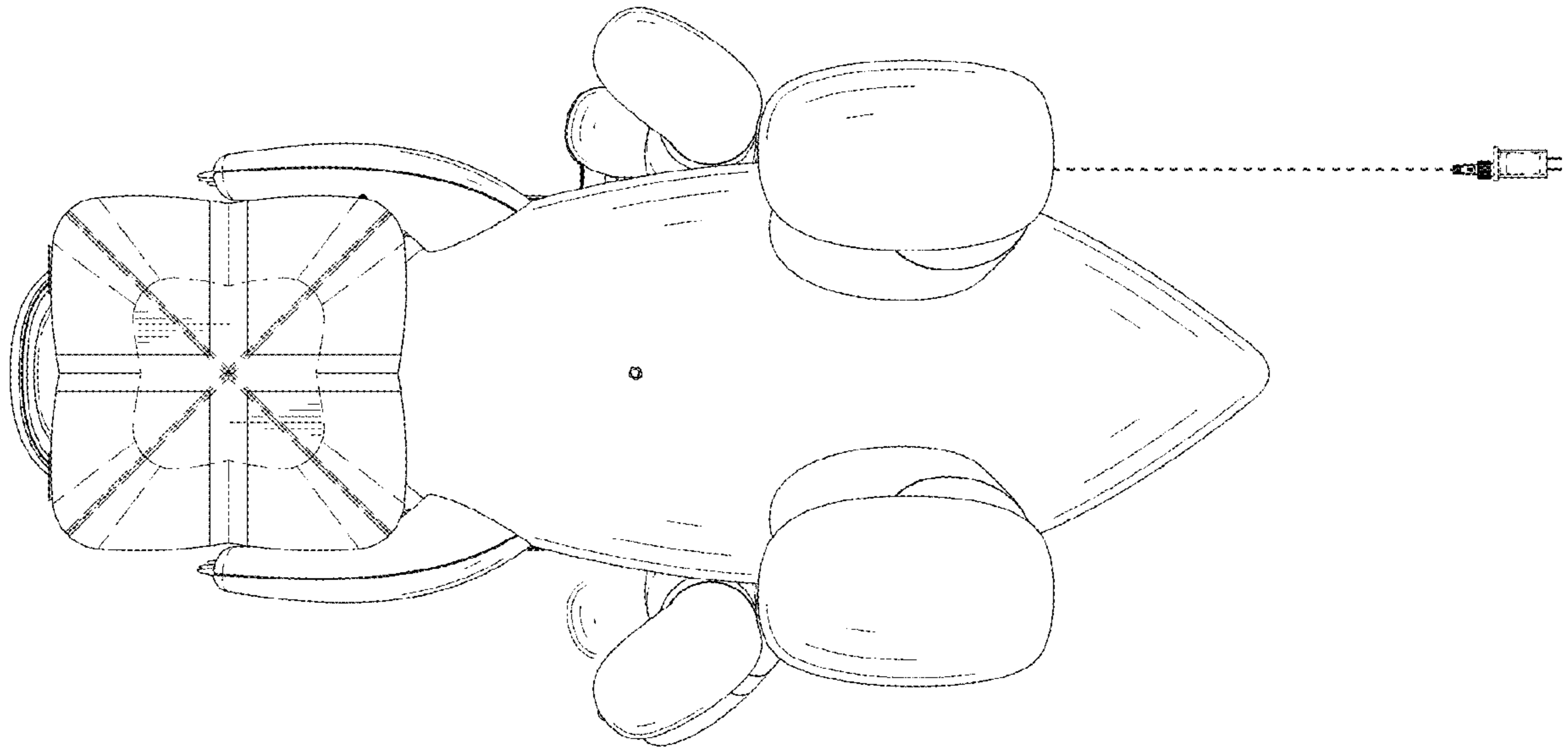


FIG. 8

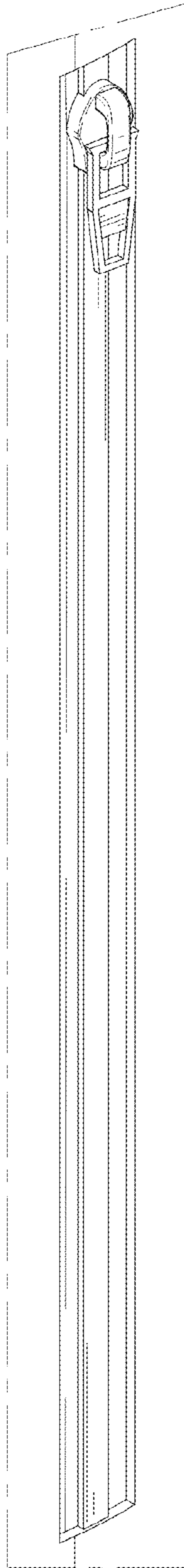


FIG. 9

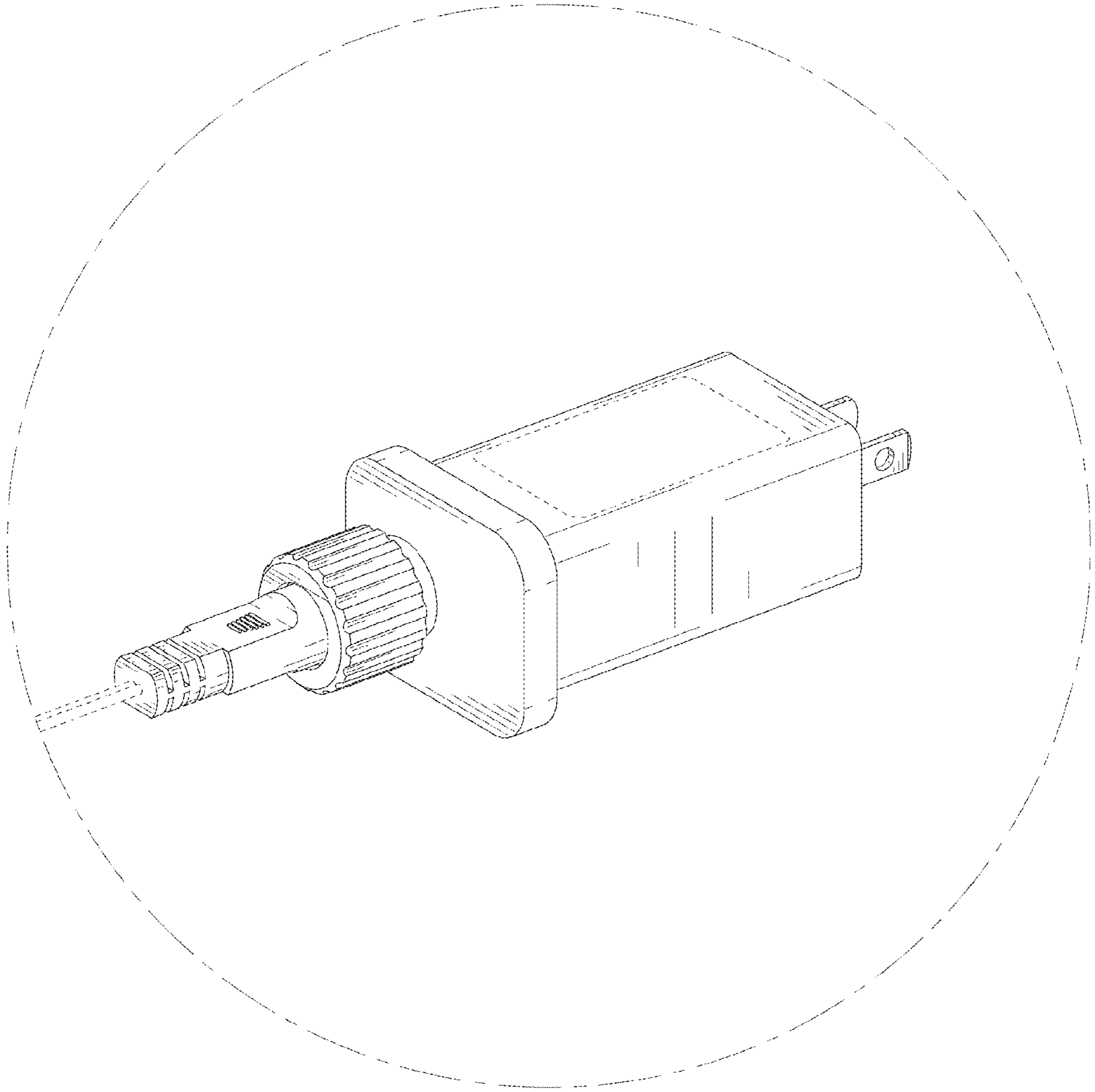


FIG. 10

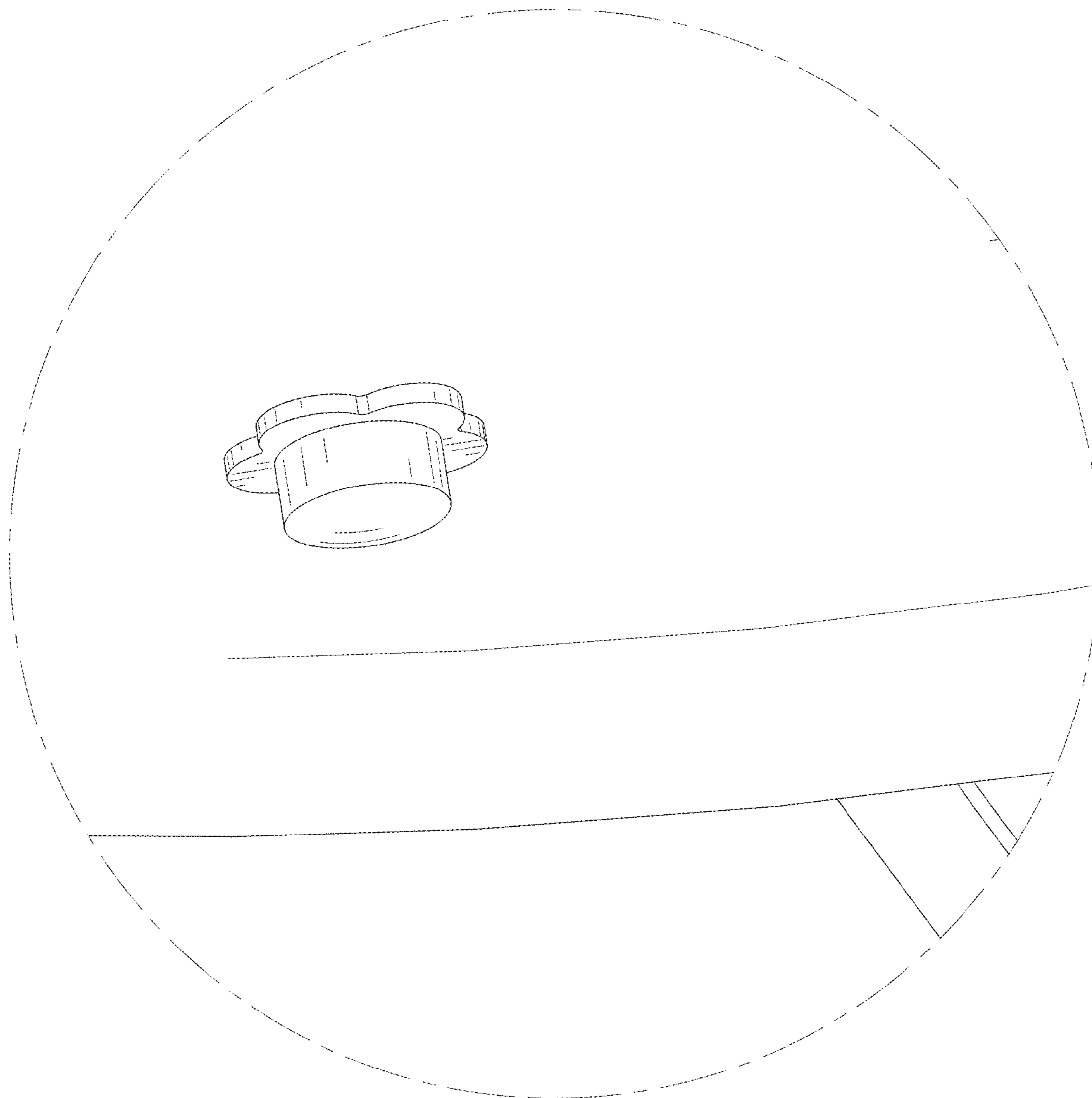


FIG. 11