

US00D989177S

(12) **United States Design Patent** (10) **Patent No.:** **US D989,177 S**
Strohman et al. (45) **Date of Patent:** **** Jun. 13, 2023**

(54) **TAG FOR ATTACHING A LOCATION TRACKER TO A BELONGING**

(71) Applicant: **STM Management Pty Ltd,**
Alexandria (AU)

(72) Inventors: **Scott Strohman,** San Diego, CA (US);
Craig Cheney, Lindon, UT (US)

(73) Assignee: **STM Management Pty Ltd,**
Alexandria (AU)

(**) Term: **15 Years**

(21) Appl. No.: **29/804,379**

(22) Filed: **Aug. 19, 2021**

(51) **LOC (14) Cl.** **14-03**

(52) **U.S. Cl.**
USPC **D20/22; D10/70; D11/3**

(58) **Field of Classification Search**

USPC D5/8; D6/300, 303, 657, 672, 673;
D10/70, 104.1, 104.2, 109.1, 109.2;
D13/102; D14/126, 371, 374; D20/10,
D20/11, 16, 17, 18, 19, 22, 27, 28, 31,
D20/32, 39, 40, 41, 42, 99; D8/387, 389;
D3/215, 318; D11/3

CPC G09F 13/18; G09F 2013/184; G09F
2013/1872; G09F 2013/1877; G09F
13/20; G09F 13/22; G09F 13/02; G09F
7/00; G09F 2007/007; G09F 7/02; G09F
9/00; G09F 19/00; G09F 15/00; G09F
15/0006; G09F 15/0037

See application file for complete search history.

(56) **References Cited**

U.S. PATENT DOCUMENTS

D141,753 S * 7/1945 Du Bois D11/3
2,871,592 A * 2/1959 Polzin G09F 3/005
24/574.1
D243,411 S * 2/1977 Johnson D11/7

D417,236 S * 11/1999 Burrus D19/28
D535,055 S * 1/2007 Been D2/606
D560,328 S * 1/2008 Noonan D2/624
D564,367 S * 3/2008 Molyneux D10/31
D652,756 S * 1/2012 Lans D11/3
8,408,436 B2 * 4/2013 Berry A63B 24/00
224/221

D710,220 S * 8/2014 Daniel D10/70
(Continued)

OTHER PUBLICATIONS

STM AirStrip, posted at amazon.com, posted on Dec. 7, 2021, site visited Dec. 16, 2022. online, available from internet: <https://www.amazon.com/STM-AirStrip-Band-AirTag-stm-936-367Y-01/dp/B09N7XG6PD> (Year: 2021).*

Primary Examiner — Catherine Ho

(74) *Attorney, Agent, or Firm* — Christensen, Fonder,
Dardi & Herbert PLLC

(57) **CLAIM**

We claim the ornamental design for a tag for attaching a location tracker to a belonging, as shown and described.

DESCRIPTION

FIG. 1 shows an isometric view of a tag for attaching a location tracker to a belonging, showing our new design.

FIG. 2 shows a front view thereof;

FIG. 3 shows a back view thereof;

FIG. 4 shows a left side view thereof;

FIG. 5 shows a right side view thereof;

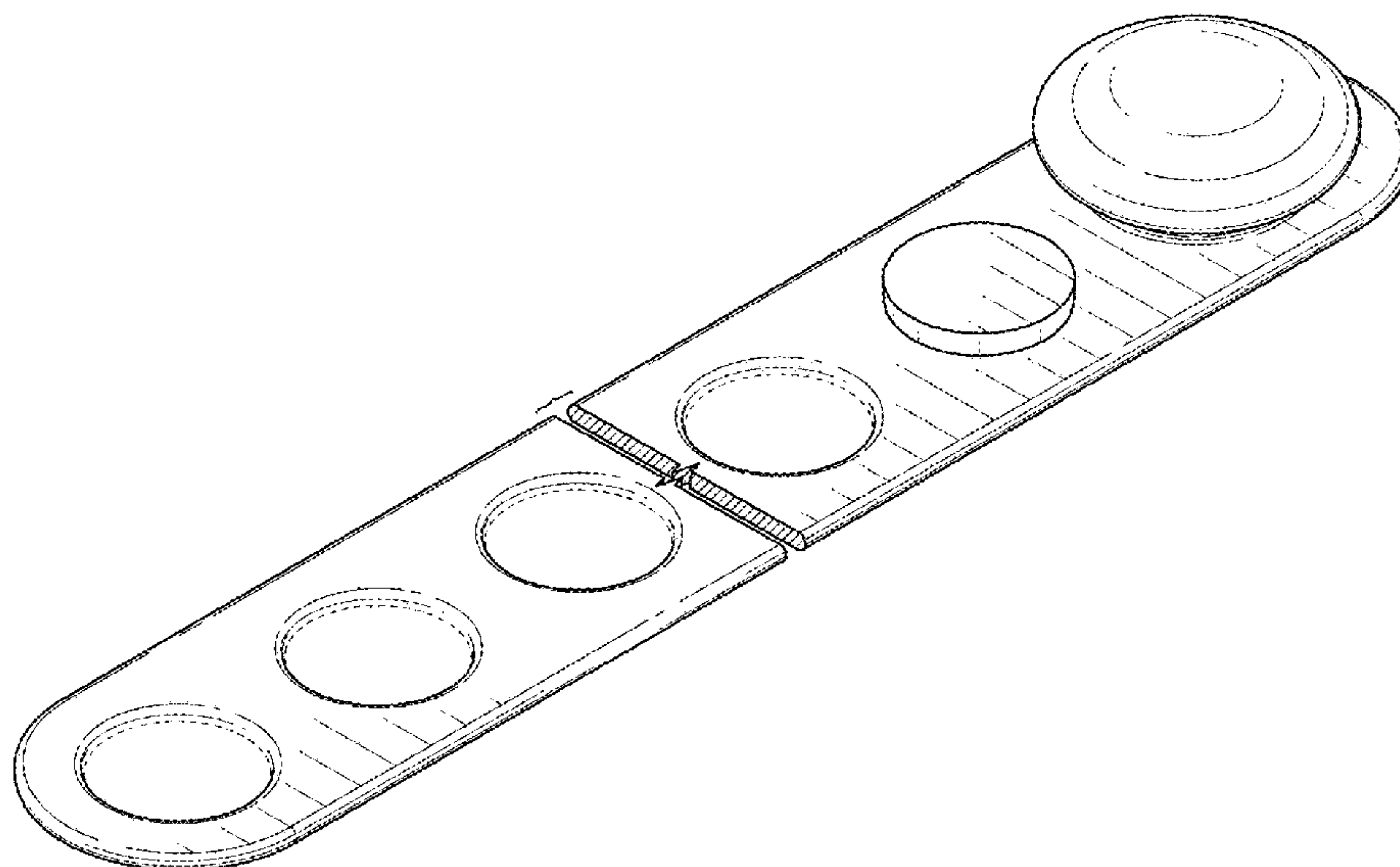
FIG. 6 shows a plan view thereof;

FIG. 7 shows a bottom view thereof; and,

FIG. 8 shows another isometric view thereof.

The broken line portion of the figure drawings is included to show portions of the article that form no part of the claimed design. The article is shown with a symbolic break in its length. The appearance of any portion of the article between the break lines forms no part of the claimed design.

1 Claim, 5 Drawing Sheets



(56)

References Cited

U.S. PATENT DOCUMENTS

D720,248 S *	12/2014	Law	D11/3
D725,510 S *	3/2015	Henning	D10/70
D737,699 S *	9/2015	Chang	D10/70
D747,178 S *	1/2016	Rothbaum	D8/356
D808,844 S *	1/2018	Lee-Hearn	D11/5
D824,244 S *	7/2018	Rothbaum	D8/356
D831,644 S *	10/2018	Wu	D14/344
D881,739 S *	4/2020	Deng	D11/3
D893,715 S *	8/2020	Onorato	D24/140
D910,867 S *	2/2021	Kaminski, Jr.	D24/214
D928,011 S *	8/2021	Vonau	D11/2
D956,976 S *	7/2022	Onorato	D24/140
D966,132 S *	10/2022	Wu	D10/70

* cited by examiner

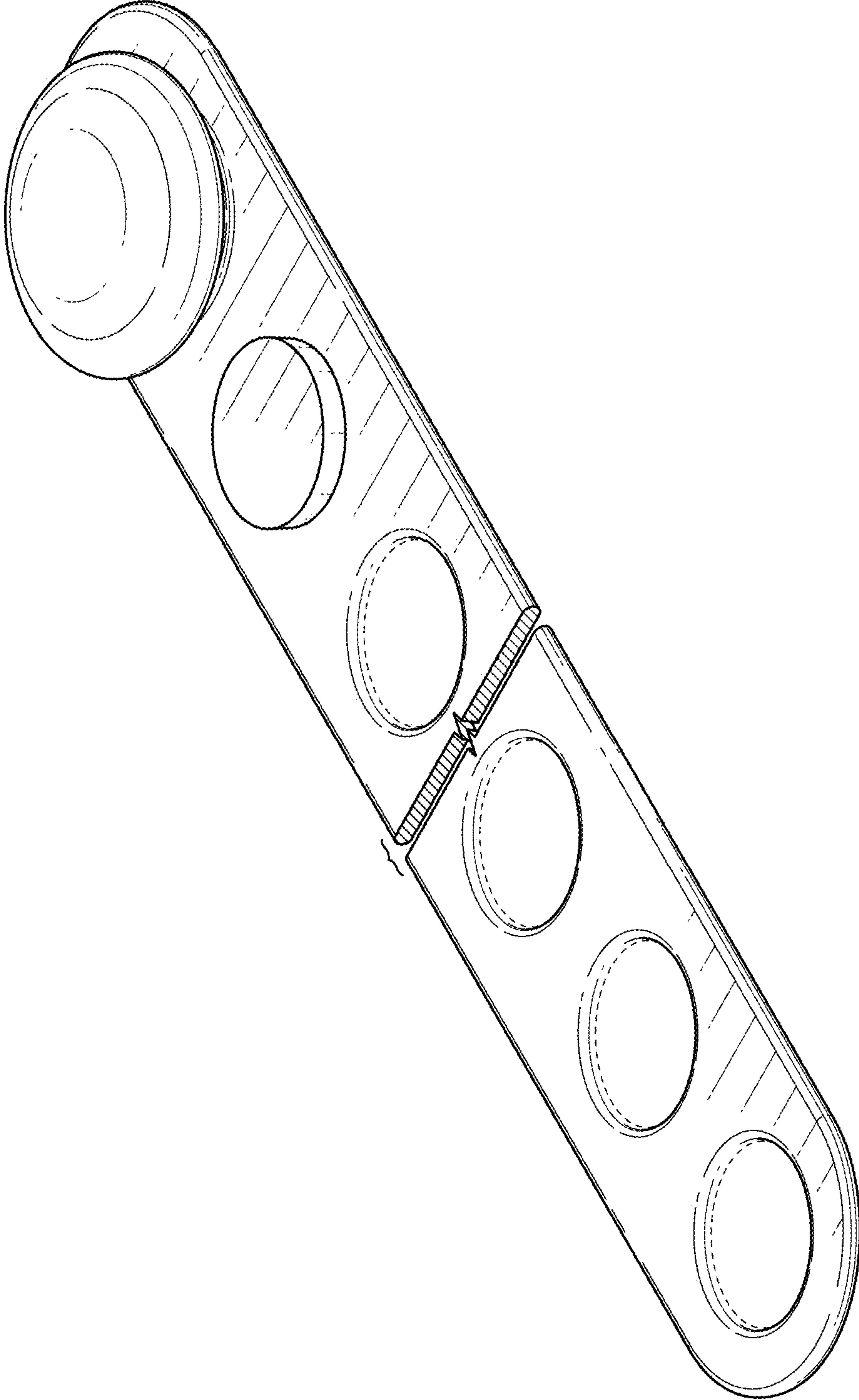


FIG. 1

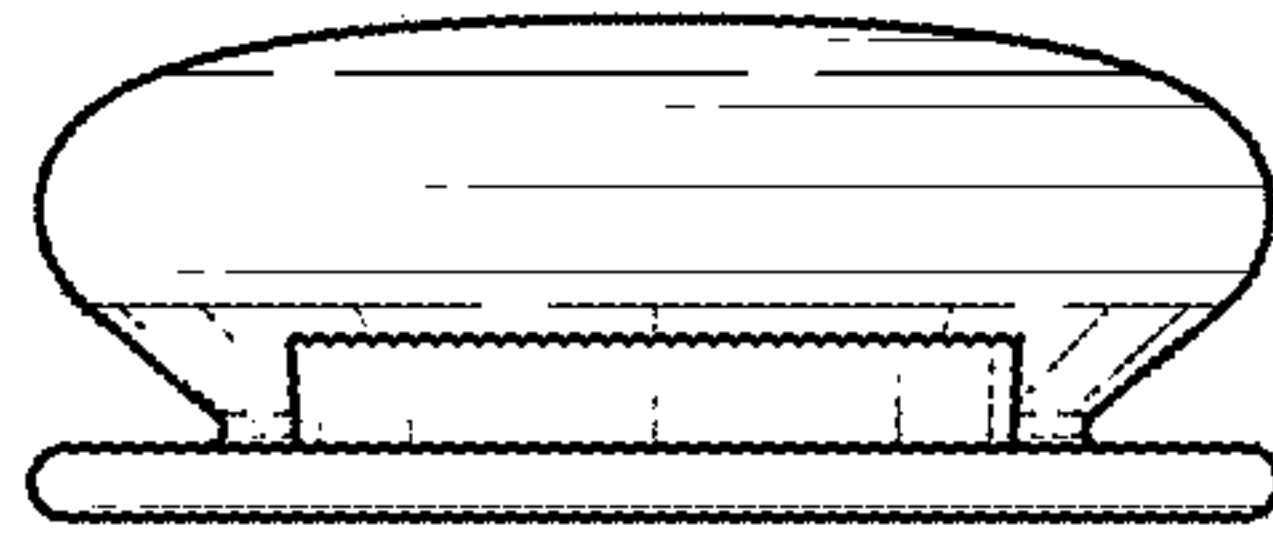


FIG. 2

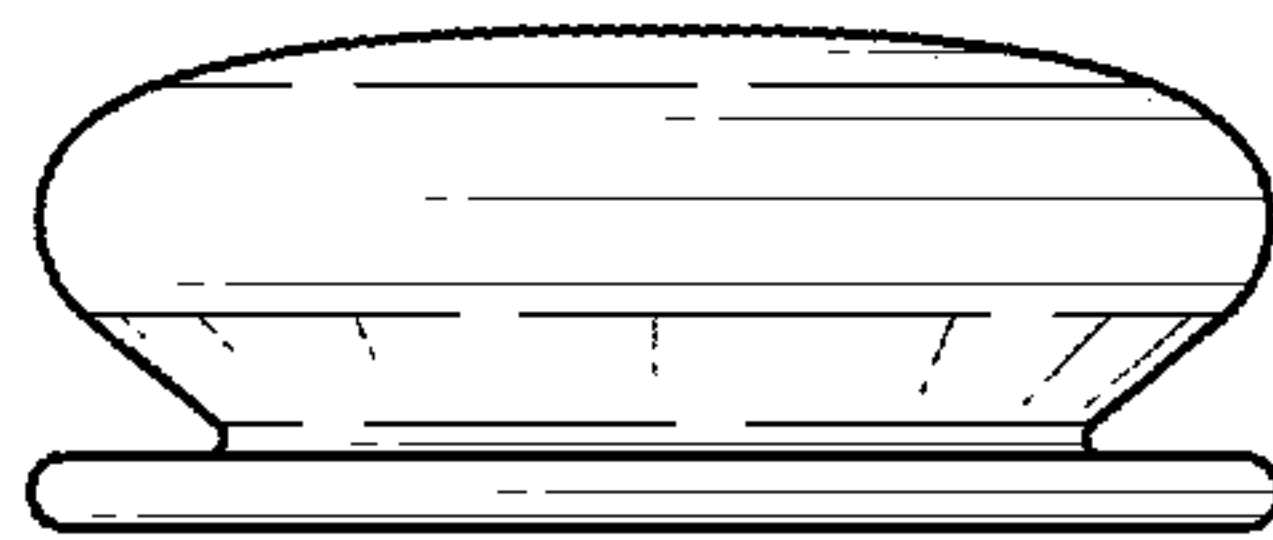


FIG. 3



FIG. 4

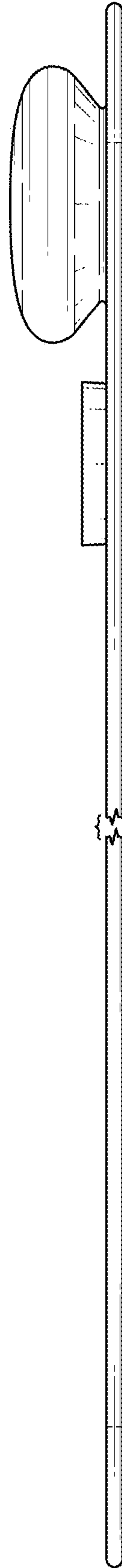


FIG. 5

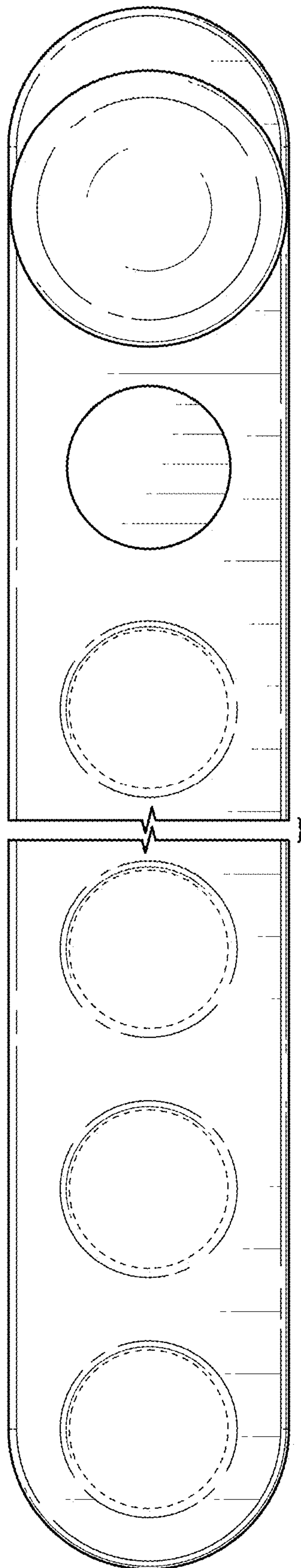


FIG. 6

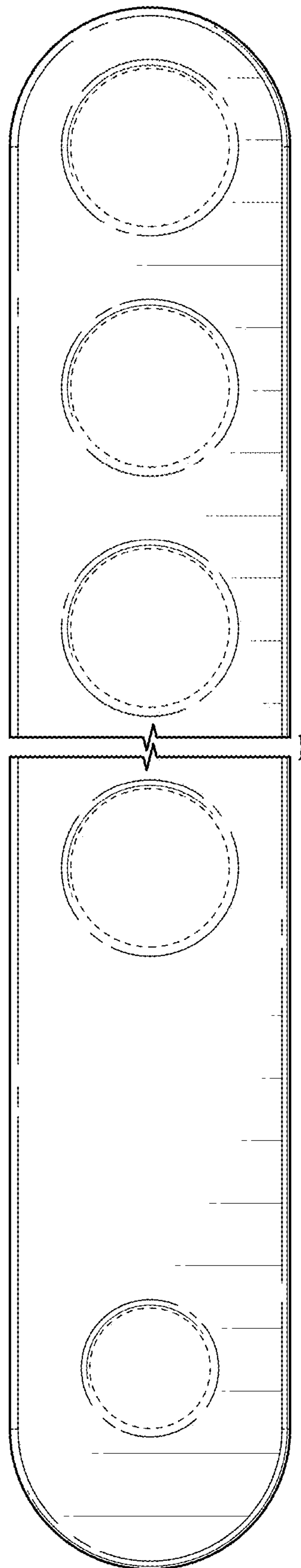


FIG. 7

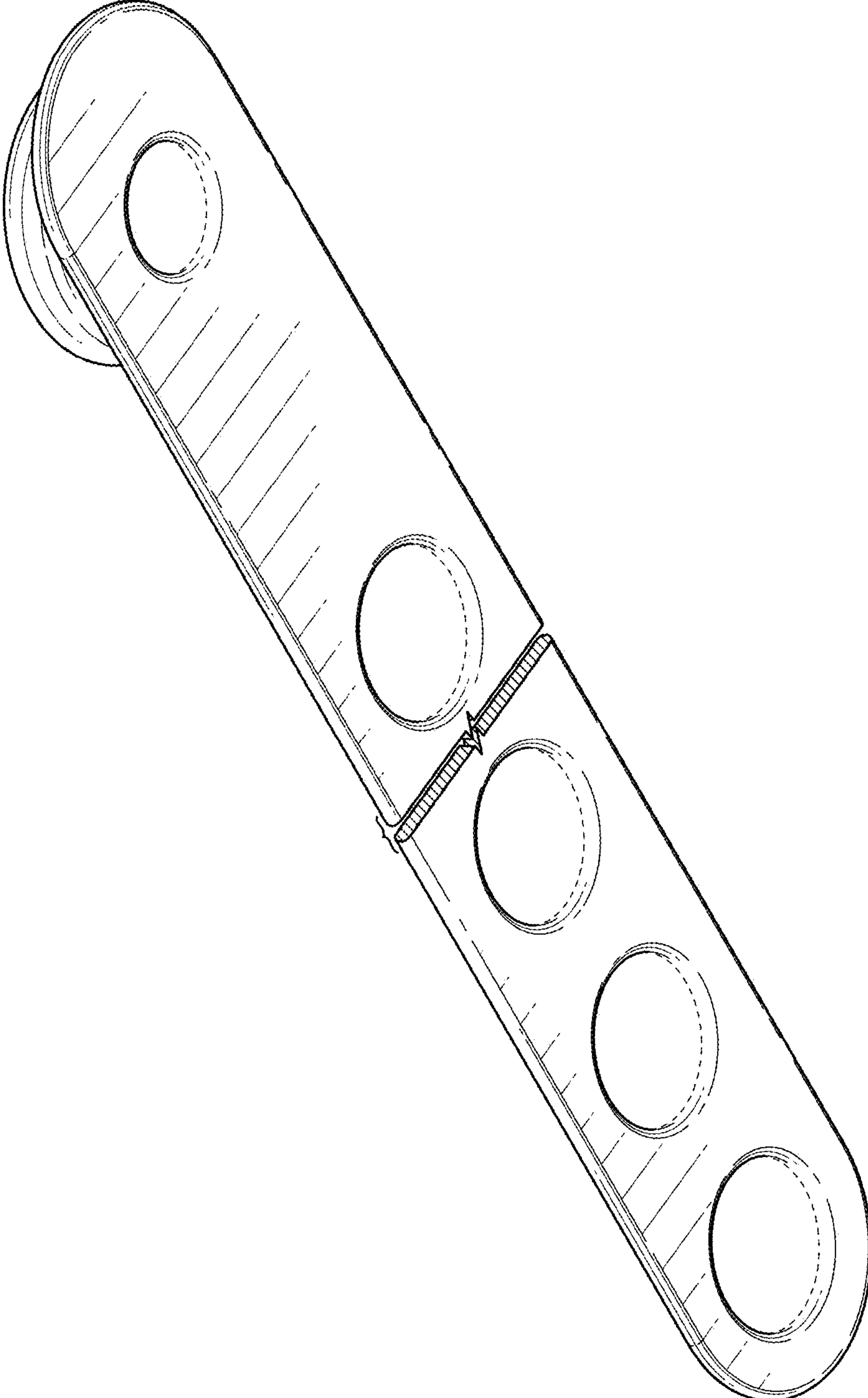


FIG. 8