



US00D989176S

(12) **United States Design Patent**
Syby et al.

(10) **Patent No.:** **US D989,176 S**
(45) **Date of Patent:** **** Jun. 13, 2023**

(54) **COMBINED STORAGE AND DISPENSING
DEVICE FOR MEDICAL PRODUCT**

(71) Applicant: **Ethicon, Inc.**, Somerville, NJ (US)

(72) Inventors: **Jonathan Syby**, Somerville, NJ (US);
Matthew Chila, Somerville, NJ (US);
David Wade, Somerville, NJ (US);
Kevin McHale, Knoxville, TN (US);
Alex Weber, Knoxville, TN (US);
Kyungmin Andy Lee, New York, NY
(US)

(73) Assignee: **Ethicon, Inc.**, Raritan, NJ (US)

(**) Term: **15 Years**

(21) Appl. No.: **29/753,879**

(22) Filed: **Oct. 2, 2020**

(51) **LOC (14) Cl.** **20-01**

(52) **U.S. Cl.**
USPC **D20/4; D14/900; D6/515**

(58) **Field of Classification Search**
USPC **D6/512, 513, 514, 515, 657, 658, 659,**
D6/660, 661, 663, 664, 672, 673, 674,
(Continued)

(56) **References Cited**

U.S. PATENT DOCUMENTS

D380,497 S * 7/1997 Lee D20/4
D402,829 S * 12/1998 Jay D6/675.1
(Continued)

OTHER PUBLICATIONS

Aita suture hub, posted at youtube.com, posted on Jan. 25, 2021, site
visited Jul. 12, 2022. online, available from internet: <https://www.youtube.com/watch?v=KNDj64kwWsg> (Year: 2021).*

(Continued)

Primary Examiner — Catherine Ho

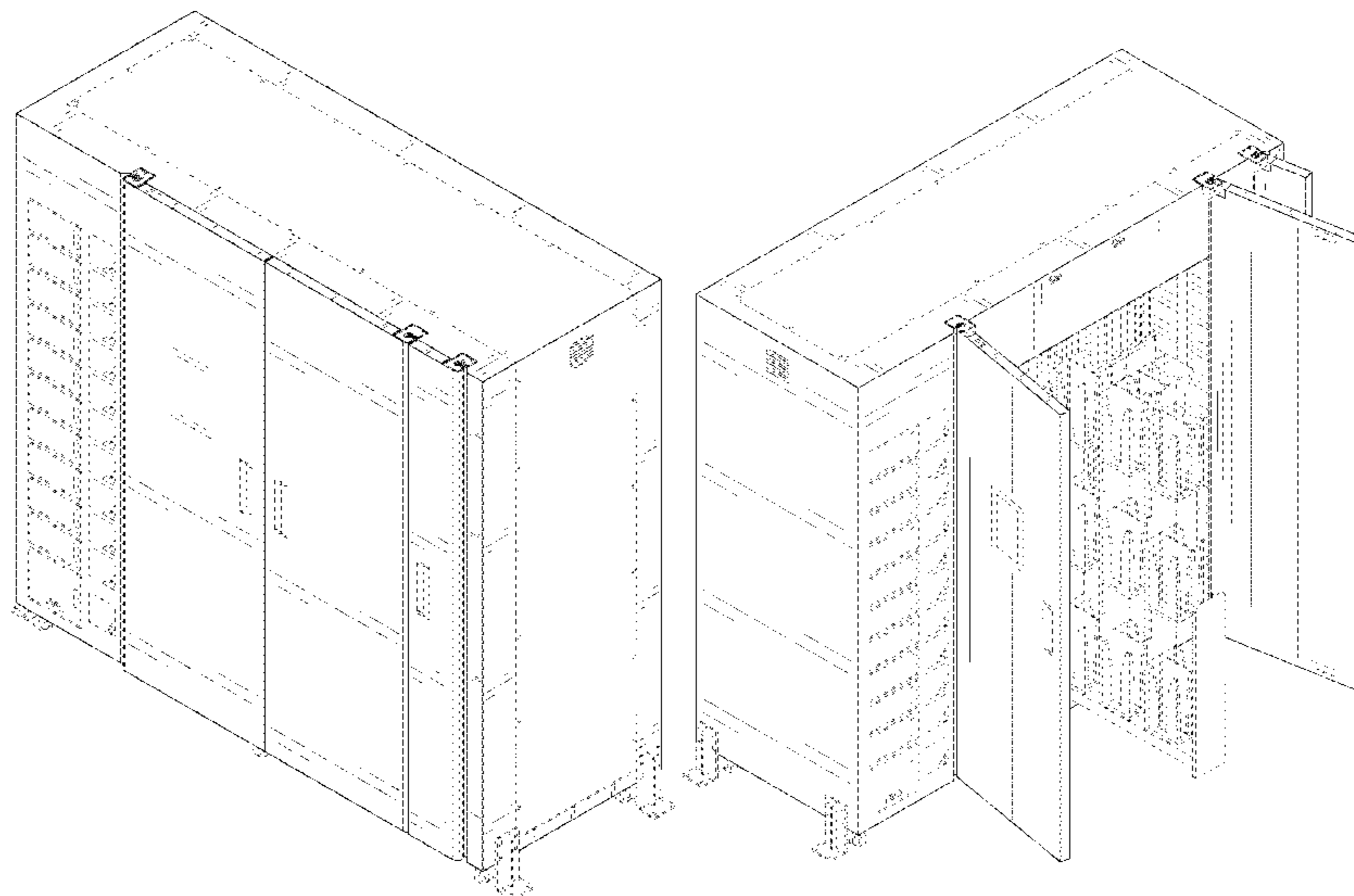
(57) **CLAIM**

The ornamental design for a combined storage and dispensing device for medical product, as shown and described.

DESCRIPTION

FIG. 1 is a top front perspective view of the first embodiment of a combined storage and dispensing device for medical product;
FIG. 2 is an alternate top front perspective view thereof;
FIG. 3 is a front elevation view thereof;
FIG. 4 is a back elevation view thereof;
FIG. 5 is a side elevation view thereof;
FIG. 6 is an opposite side elevation view thereof;
FIG. 7 is a top plan view thereof;
FIG. 8 is a bottom plan view thereof;
FIG. 9 is a top front perspective view of the second embodiment of a combined storage and dispensing device for medical product in an open position;
FIG. 10 is an alternate top front perspective view thereof;
FIG. 11 is a front elevation view thereof;
FIG. 12 is a back elevation view thereof;
FIG. 13 is a side elevation view thereof;
FIG. 14 is an opposite side elevation view thereof;
FIG. 15 is a top plan view thereof;
FIG. 16 is a bottom plan view thereof;
FIG. 17 is a top front perspective view of the third embodiment of a combined storage and dispensing device for medical product in an open position in an alternate configuration;
FIG. 18 is an alternate top front perspective view thereof;
FIG. 19 is a front elevation view thereof;
FIG. 20 is a back elevation view thereof;
FIG. 21 is a side elevation view thereof;
FIG. 22 is an opposite side elevation view thereof;
FIG. 23 is a top plan view thereof; and,
FIG. 24 is a bottom plan view thereof.
The broken lines show portions of the article that form no part of the claimed design.

1 Claim, 24 Drawing Sheets



US D989,176 S

Page 2

(58) **Field of Classification Search**

USPC D6/675, 675.1, 675.3; D14/125, 126,
D14/129, 302, 900; D15/145; D20/1, 2,
D20/3, 4, 5, 6, 8, 9
CPC G07F 9/001; G07F 9/009; G07F 9/006;
G07F 5/22; G07F 11/005; G07F 11/007;
G07F 11/62; G07F 11/42; G07F 11/60;
G06Q 10/087; G06Q 10/0875; G06Q
10/30; G06Q 99/00; G16H 20/13; B65B
5/04

See application file for complete search history.

(56) **References Cited**

U.S. PATENT DOCUMENTS

D429,765 S * 8/2000 Saito D20/4
D519,752 S * 5/2006 LeBlanc D6/661
D567,273 S * 4/2008 Okamoto D15/145
D623,208 S * 9/2010 Parrish D20/4
D639,322 S * 6/2011 Daniels D15/145
D662,954 S * 7/2012 Parrish D20/4
D664,171 S * 7/2012 Gentry, Jr. D20/4
D666,646 S * 9/2012 Gentry, Jr. D20/4
D831,115 S * 10/2018 Chambers D20/1
D886,096 S * 6/2020 Mangeot D14/307
10,709,302 B2 * 7/2020 Roy A61L 2/26
D901,566 S * 11/2020 Bonpain D15/145
2003/0019881 A1 * 1/2003 Kim G07F 11/62
221/92
2003/0056467 A1 * 3/2003 Kim B65B 5/103
53/550
2005/0122010 A1 * 6/2005 Kobayashi A47B 88/956
312/209

2009/0173087 A1 * 7/2009 Cora F24V 99/00
261/109
2009/0272758 A1 * 11/2009 Karwacki, Jr. G07F 17/0092
221/282
2010/0010666 A1 * 1/2010 Adams G07F 17/0092
700/231
2011/0178634 A1 * 7/2011 Yuyama G07F 11/18
221/124
2011/0192893 A1 * 8/2011 Waugh B65G 47/74
235/487
2011/0305545 A1 * 12/2011 Davis B25J 15/00
414/800
2014/0117038 A1 * 5/2014 Kim G07F 11/38
221/133
2014/0261883 A1 * 9/2014 Dent G16H 20/13
141/192
2014/0318078 A1 * 10/2014 Kondo G16H 20/13
382/141
2014/0332552 A1 * 11/2014 Kim G07F 11/70
221/133
2016/0147977 A1 * 5/2016 Adams G07F 9/001
700/232
2020/0043272 A1 * 2/2020 Vazquez G07F 11/1653
2021/0225118 A1 * 7/2021 Bouchelle A61J 7/02
2021/0367437 A1 * 11/2021 Butler G07C 9/00174
2021/0374658 A1 * 12/2021 Chila G07F 9/026

OTHER PUBLICATIONS

Aita kiosk, posted at youtube.com, posted on Jan. 29, 2021, site visited Jul. 12, 2022. online, available from internet: <https://www.youtube.com/watch?v=23rlf8yaX6U> (Year: 2021).*

* cited by examiner

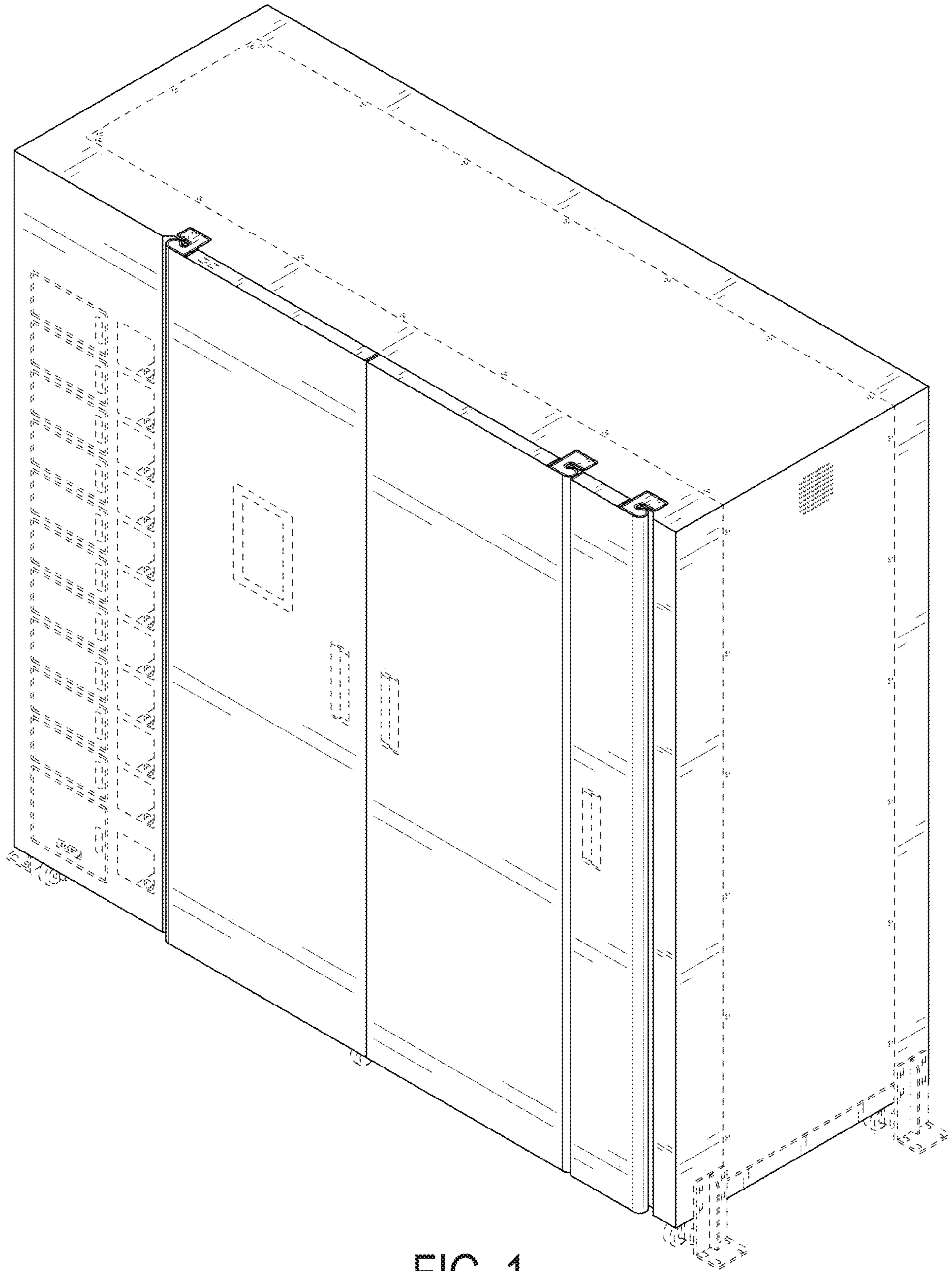


FIG. 1

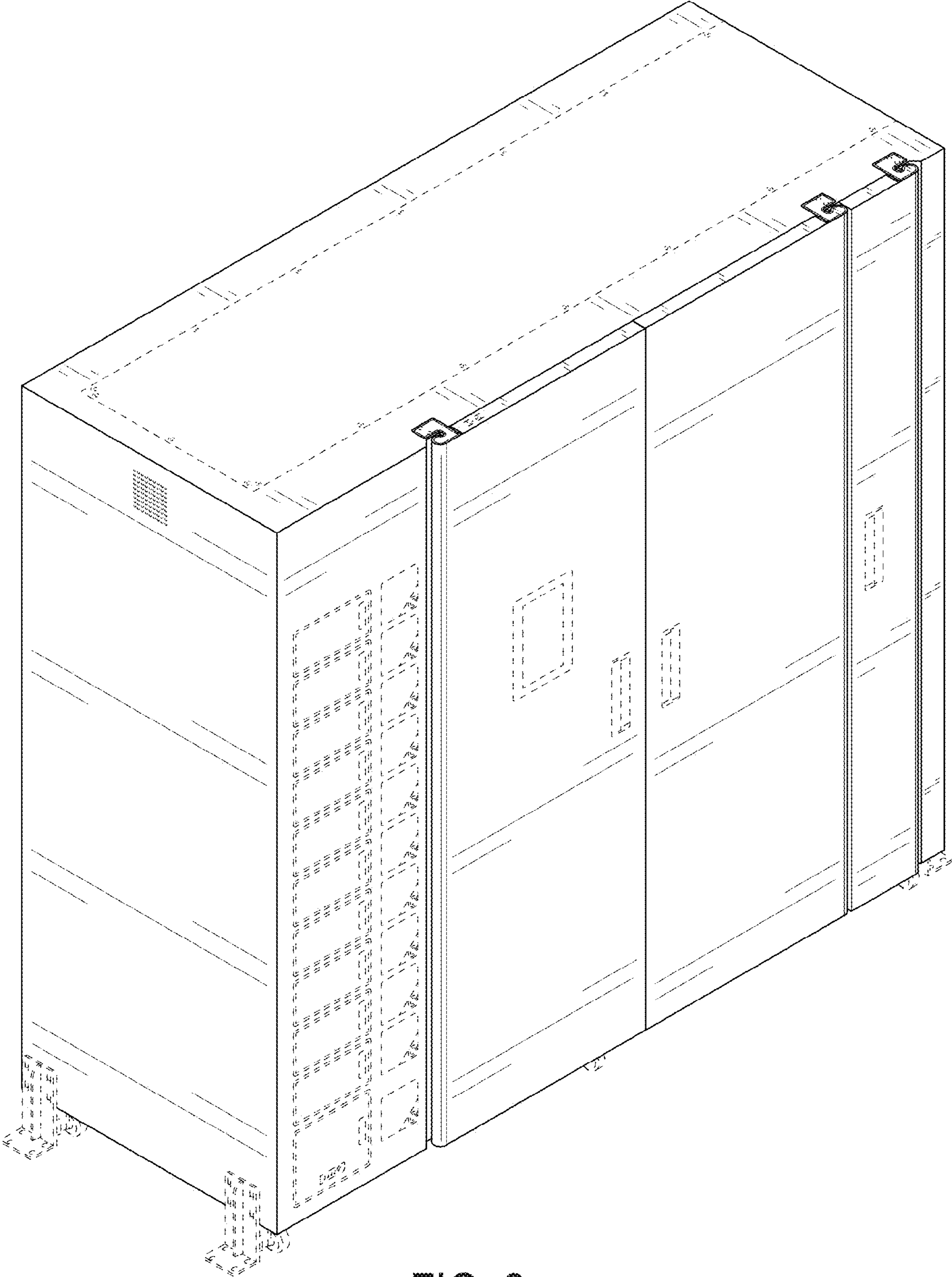


FIG. 2

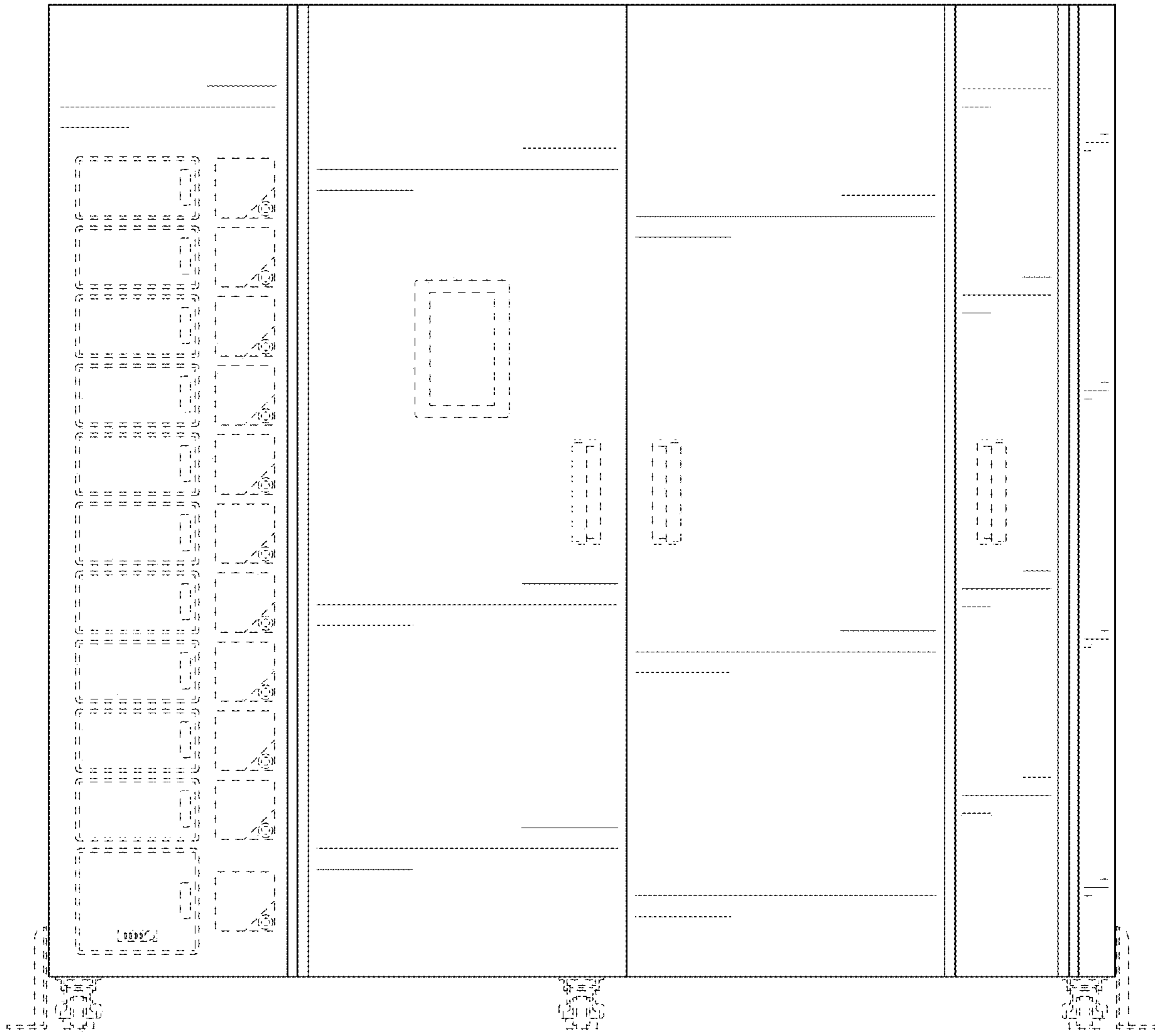


FIG. 3

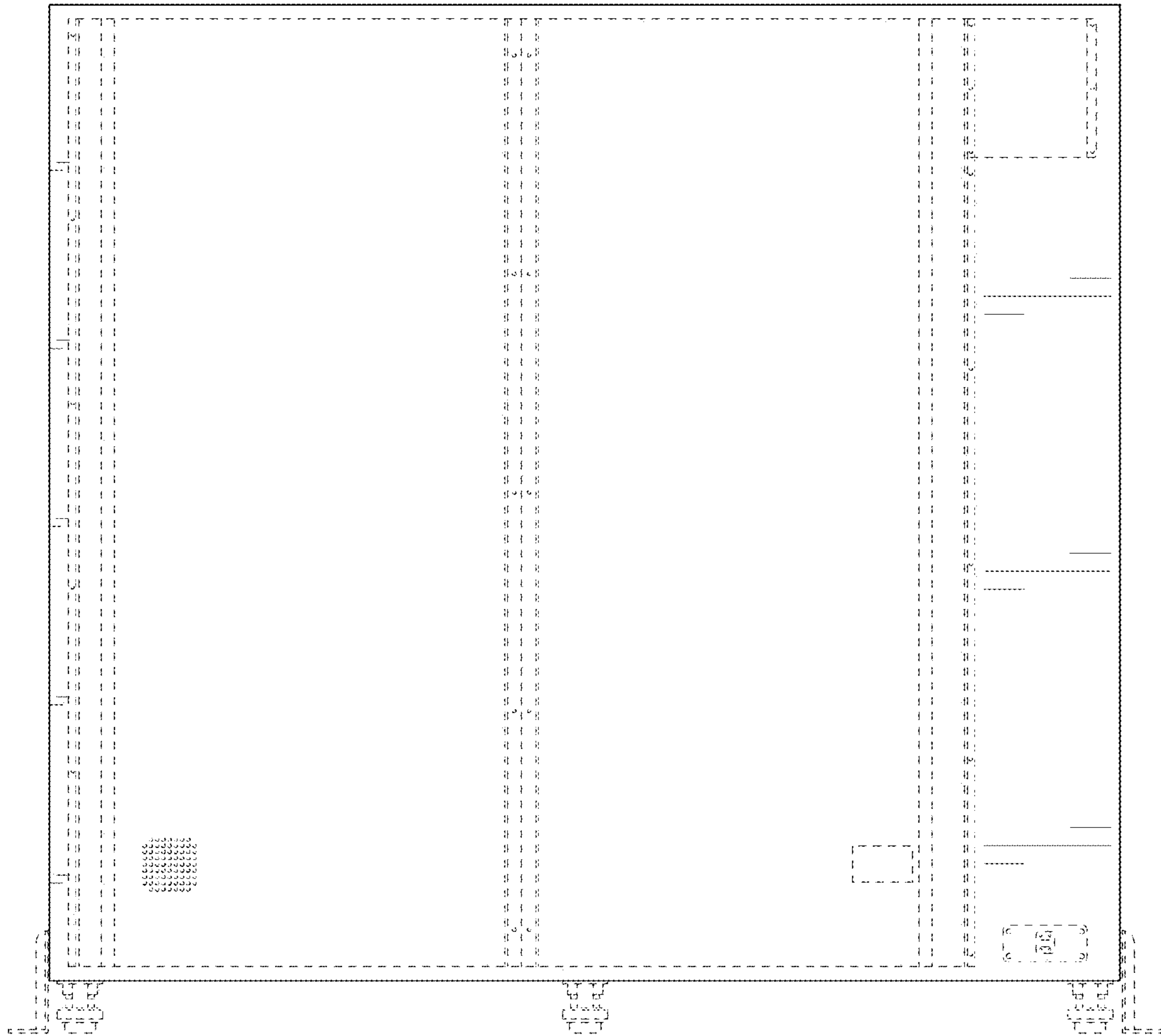


FIG. 4

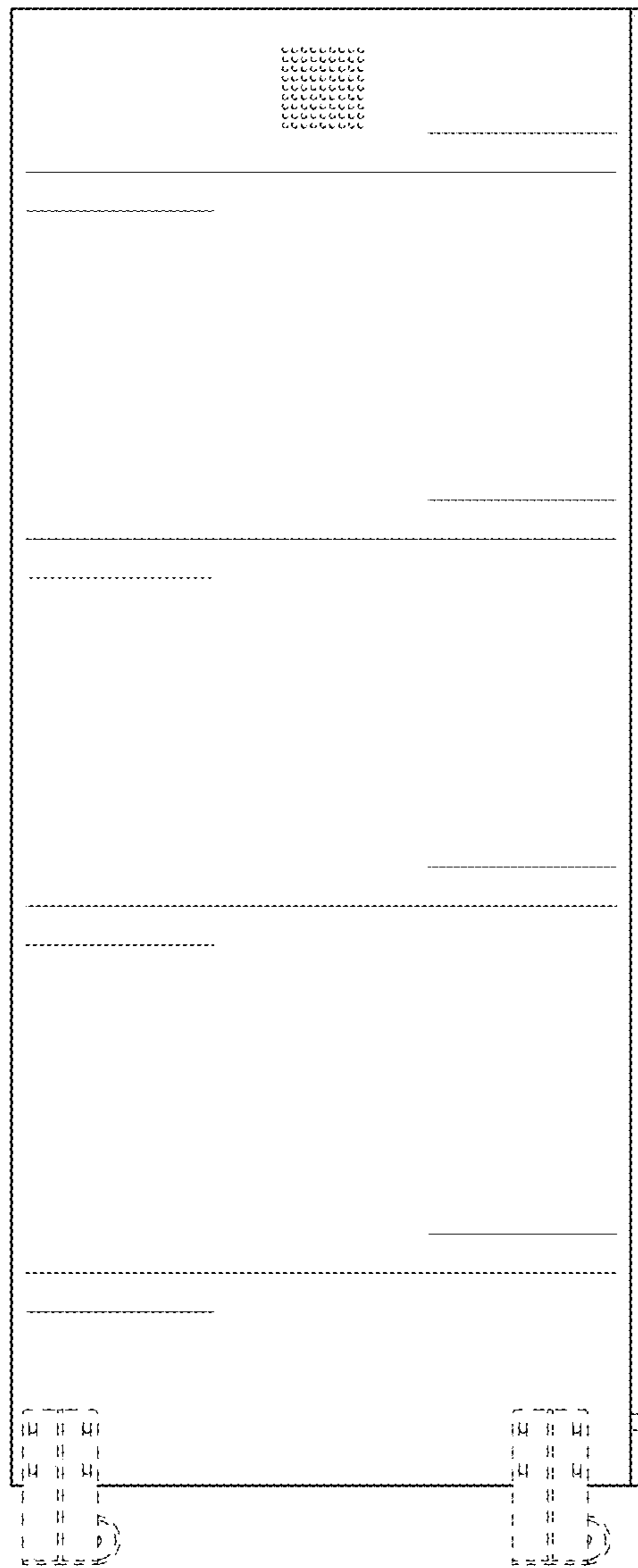


FIG. 5

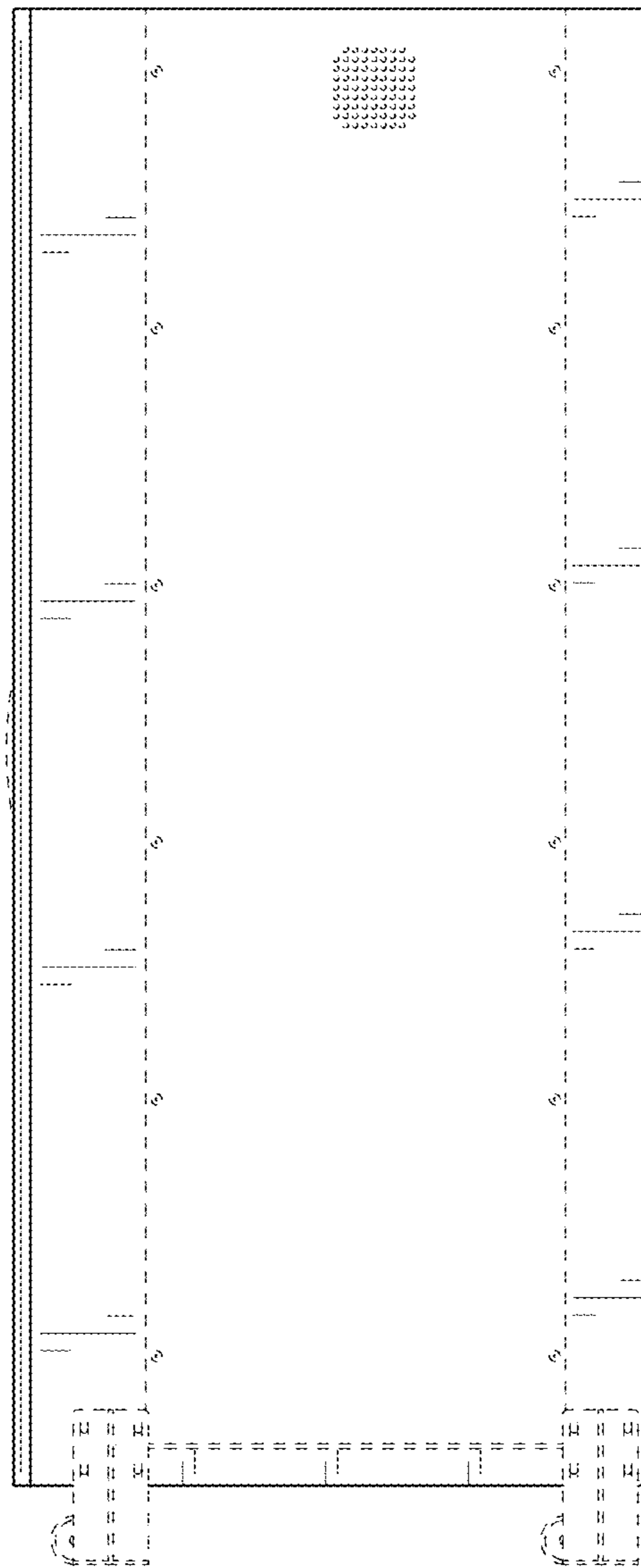


FIG. 6

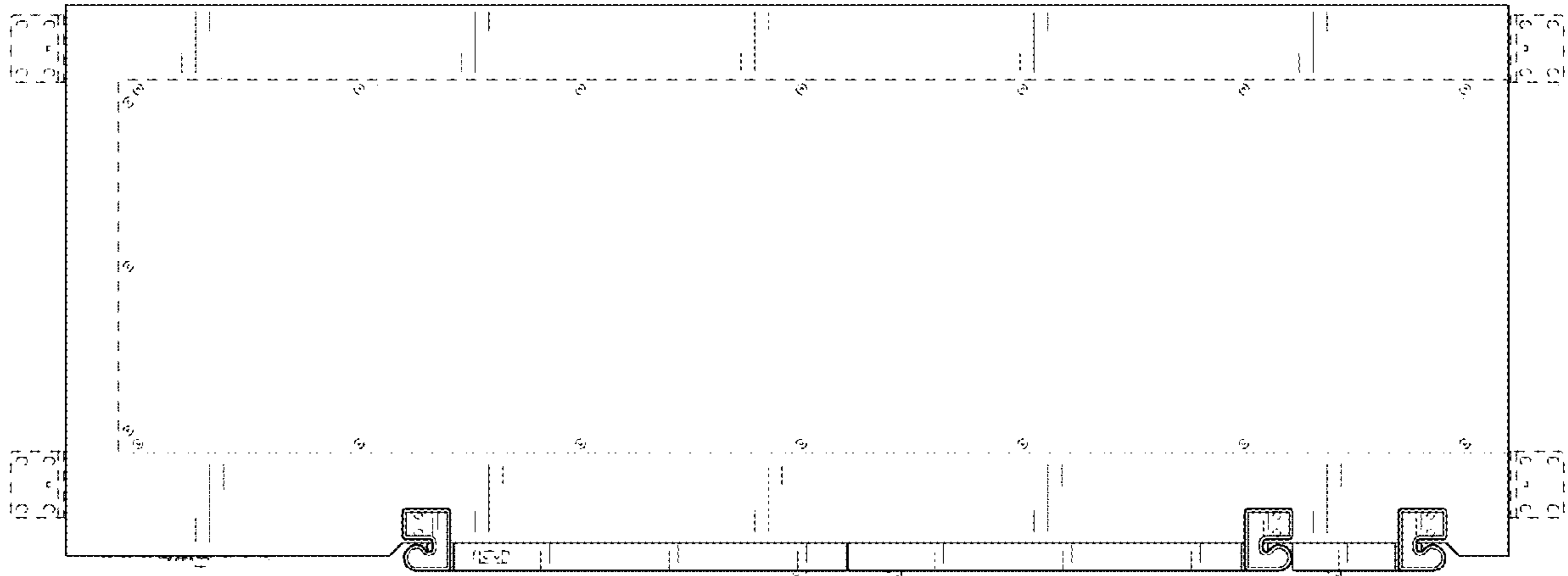


FIG. 7

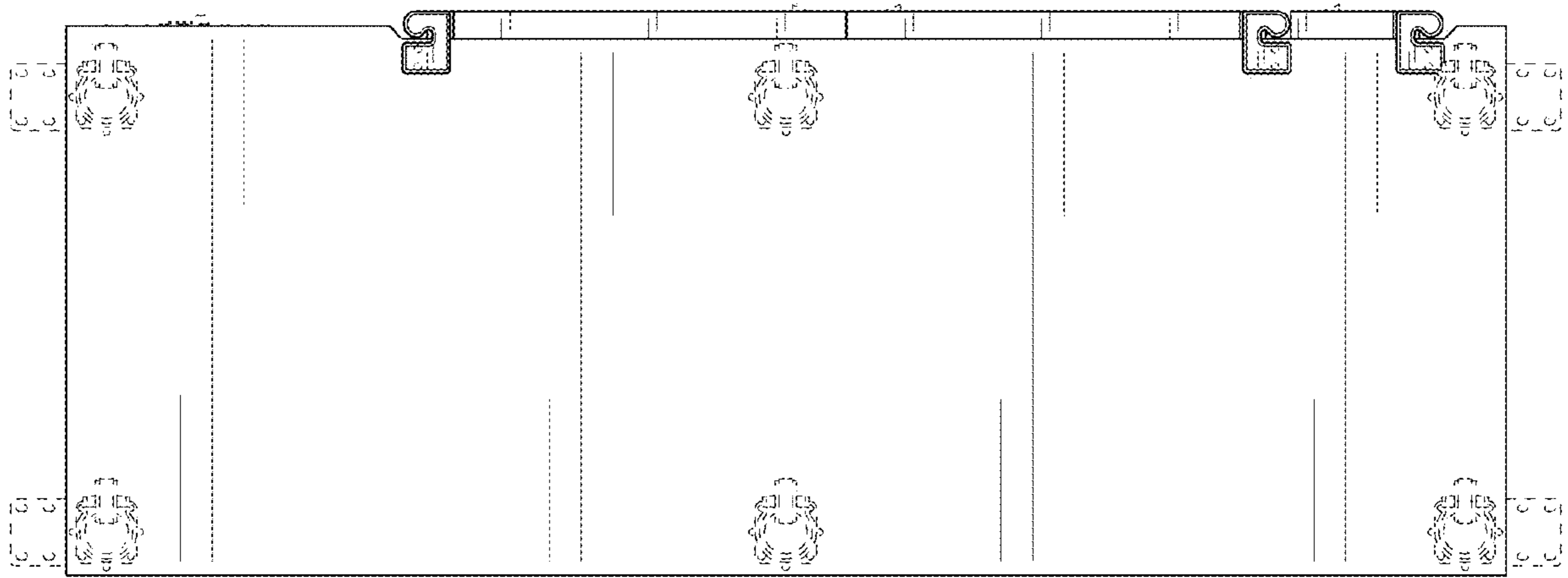


FIG. 8

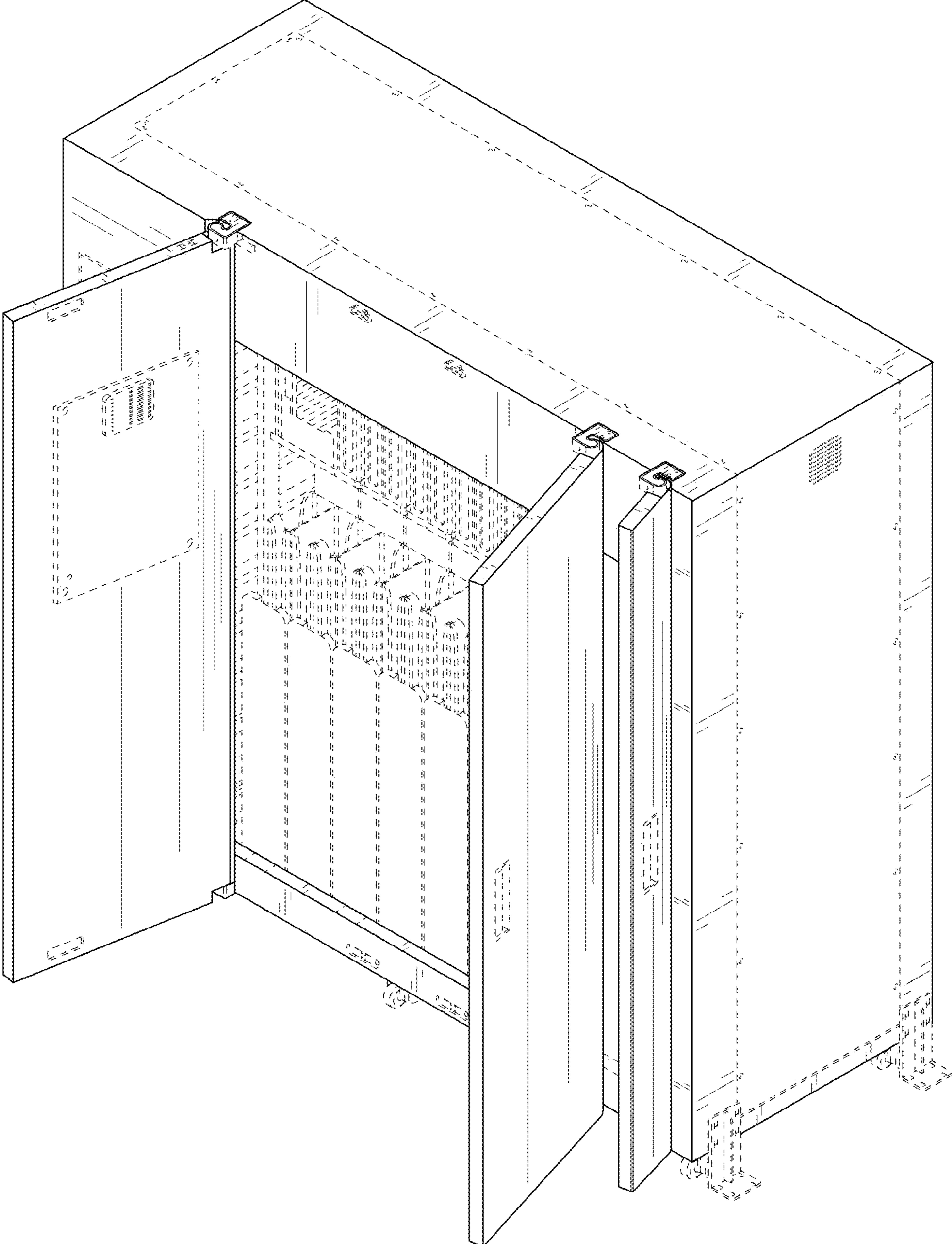


FIG. 9

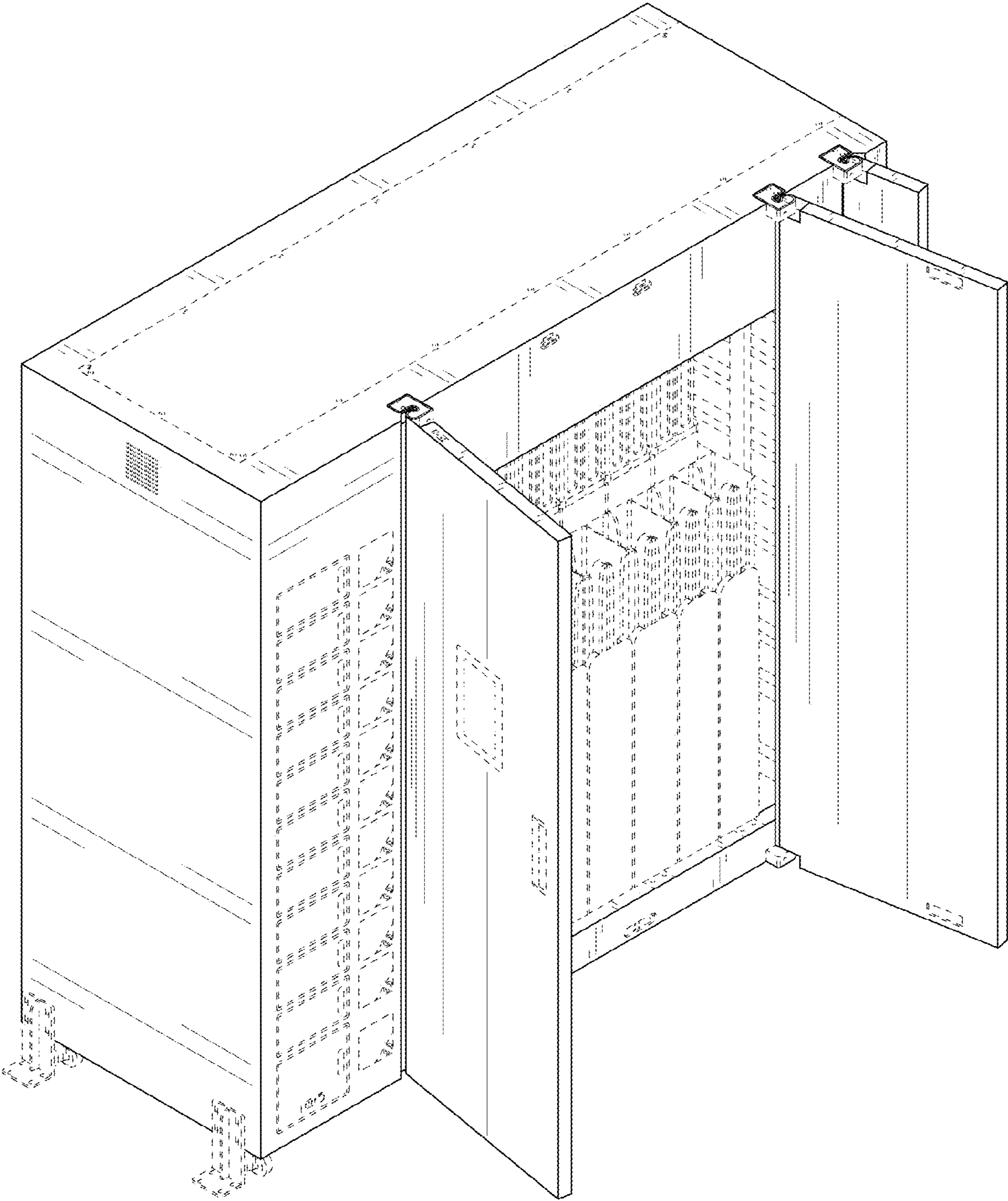


FIG. 10

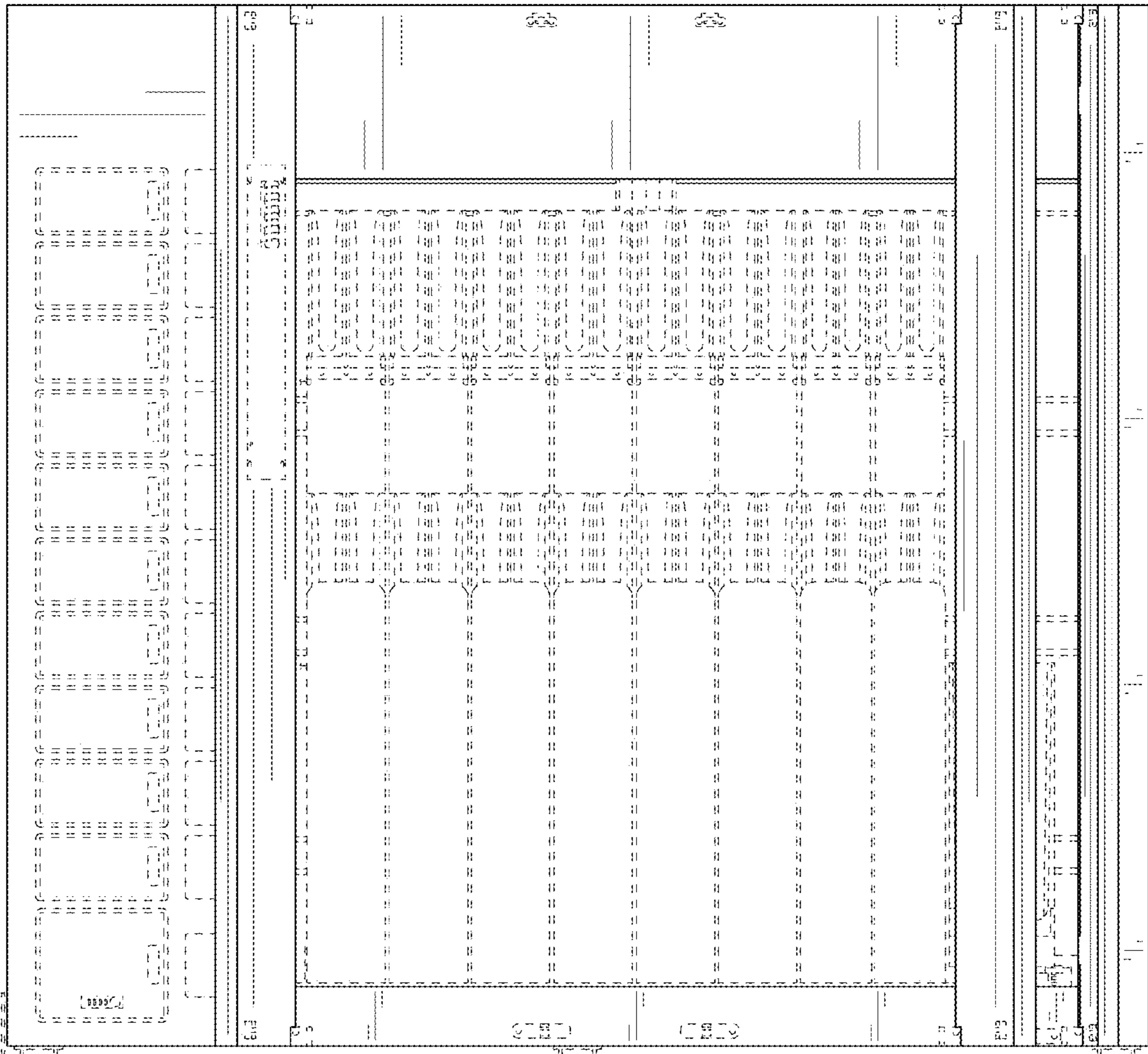


FIG. 11

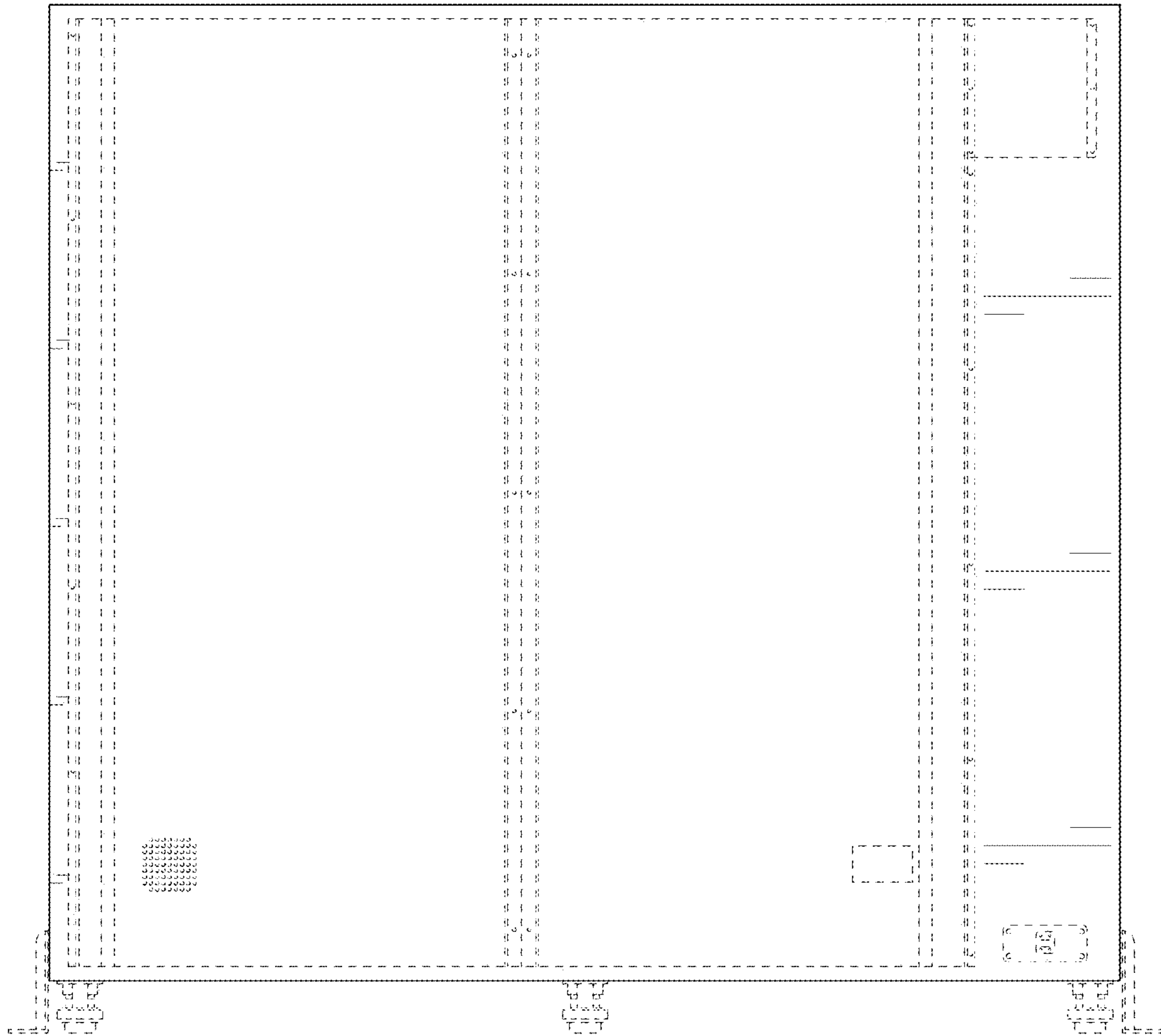


FIG. 12

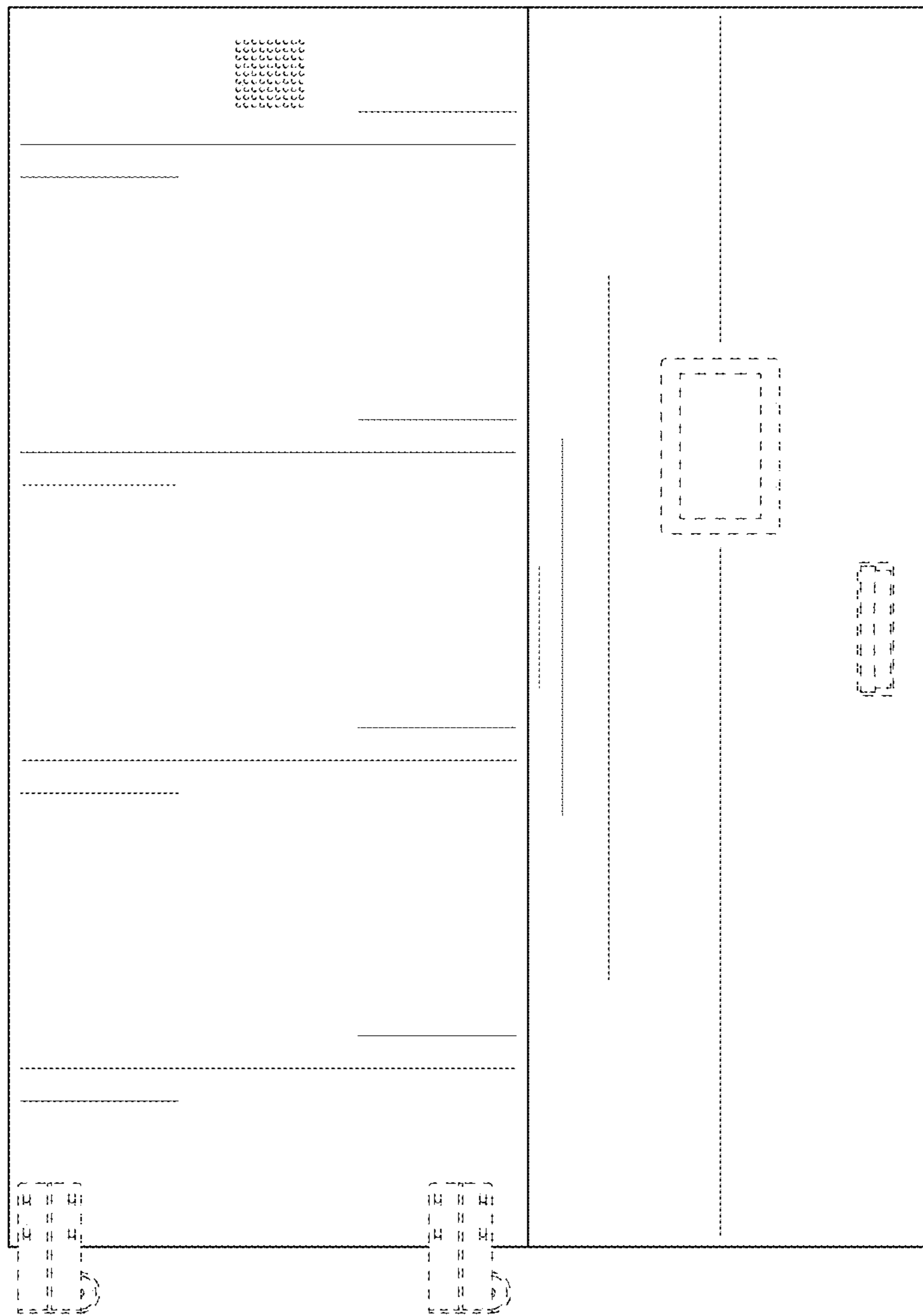


FIG. 13

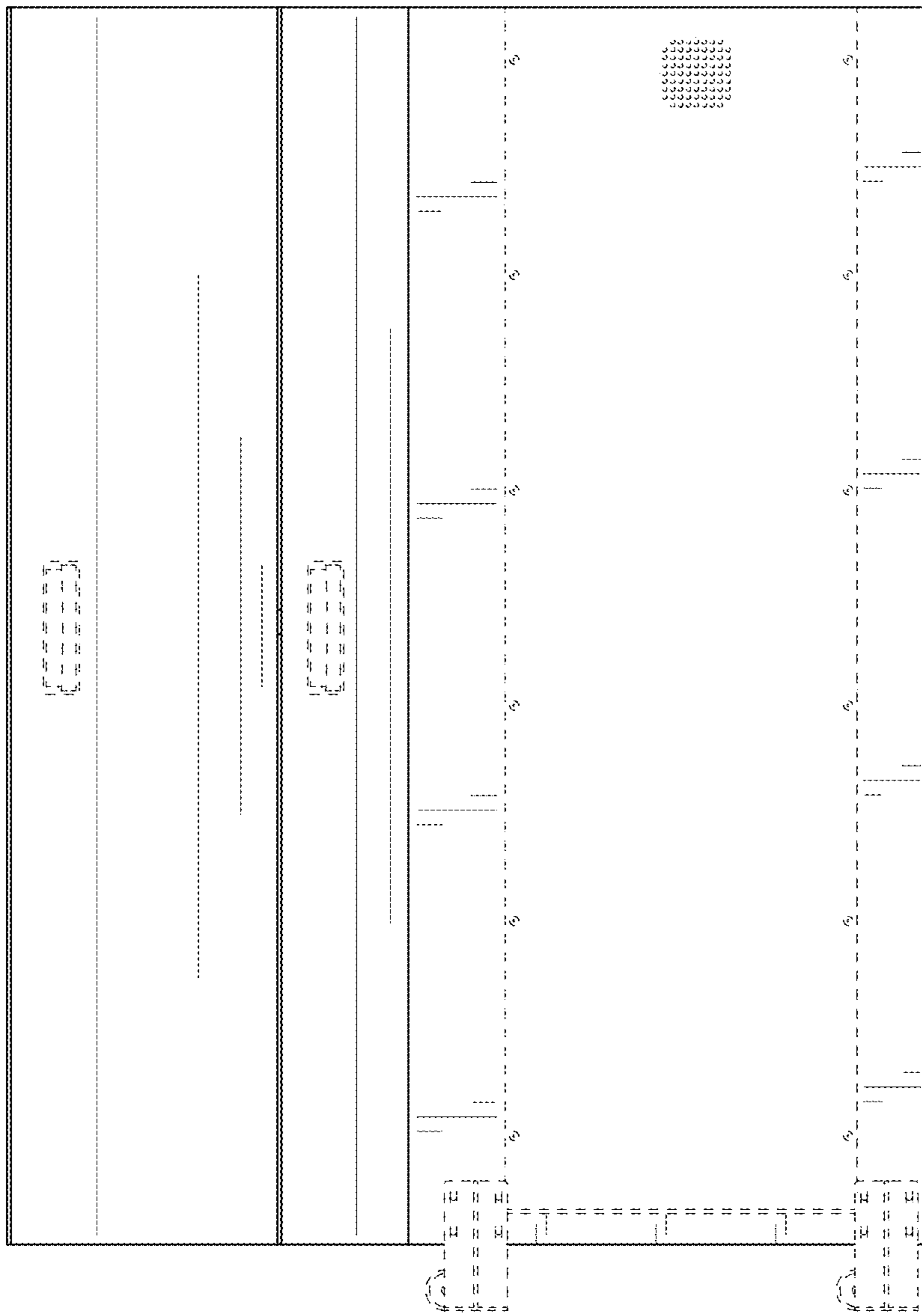


FIG. 14

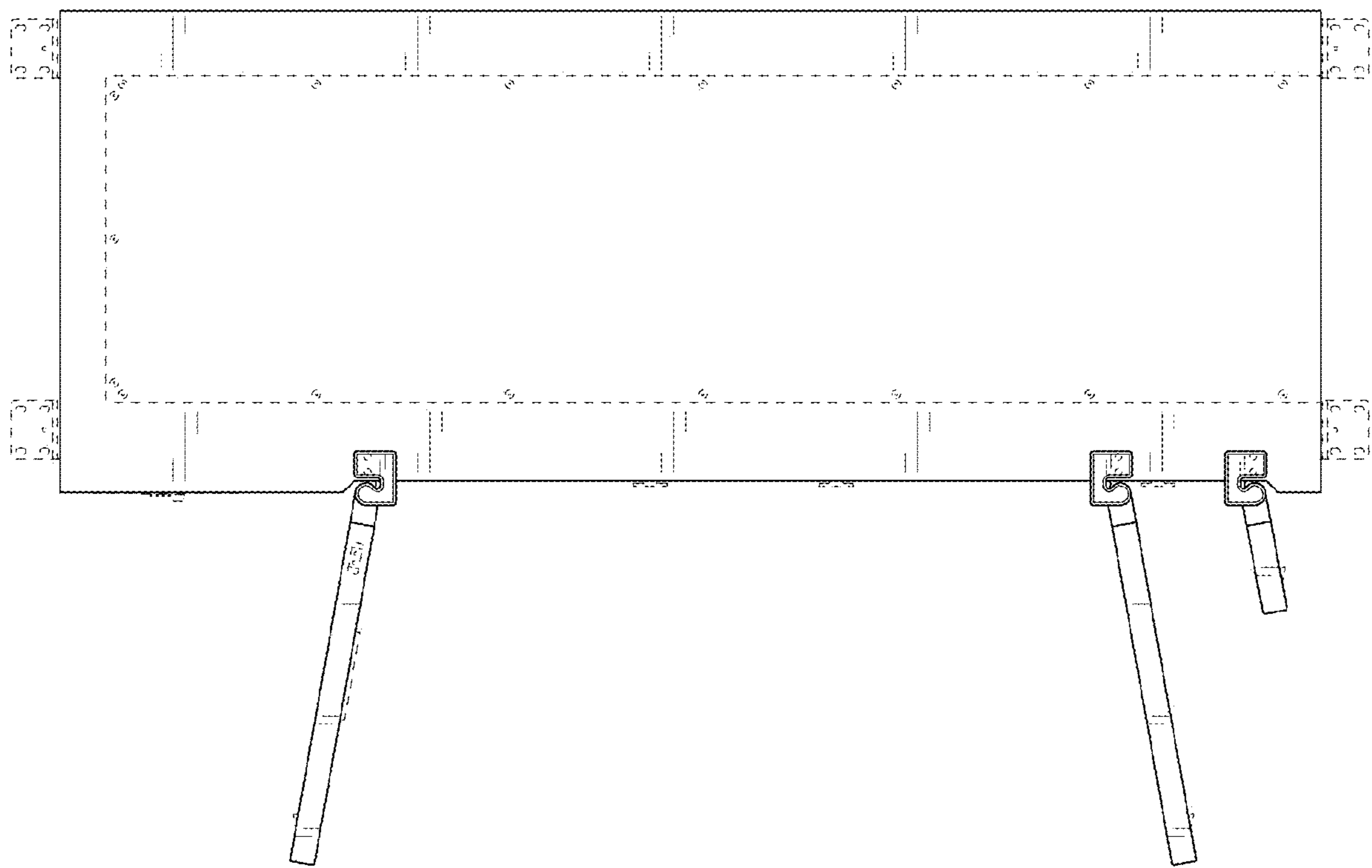


FIG. 15

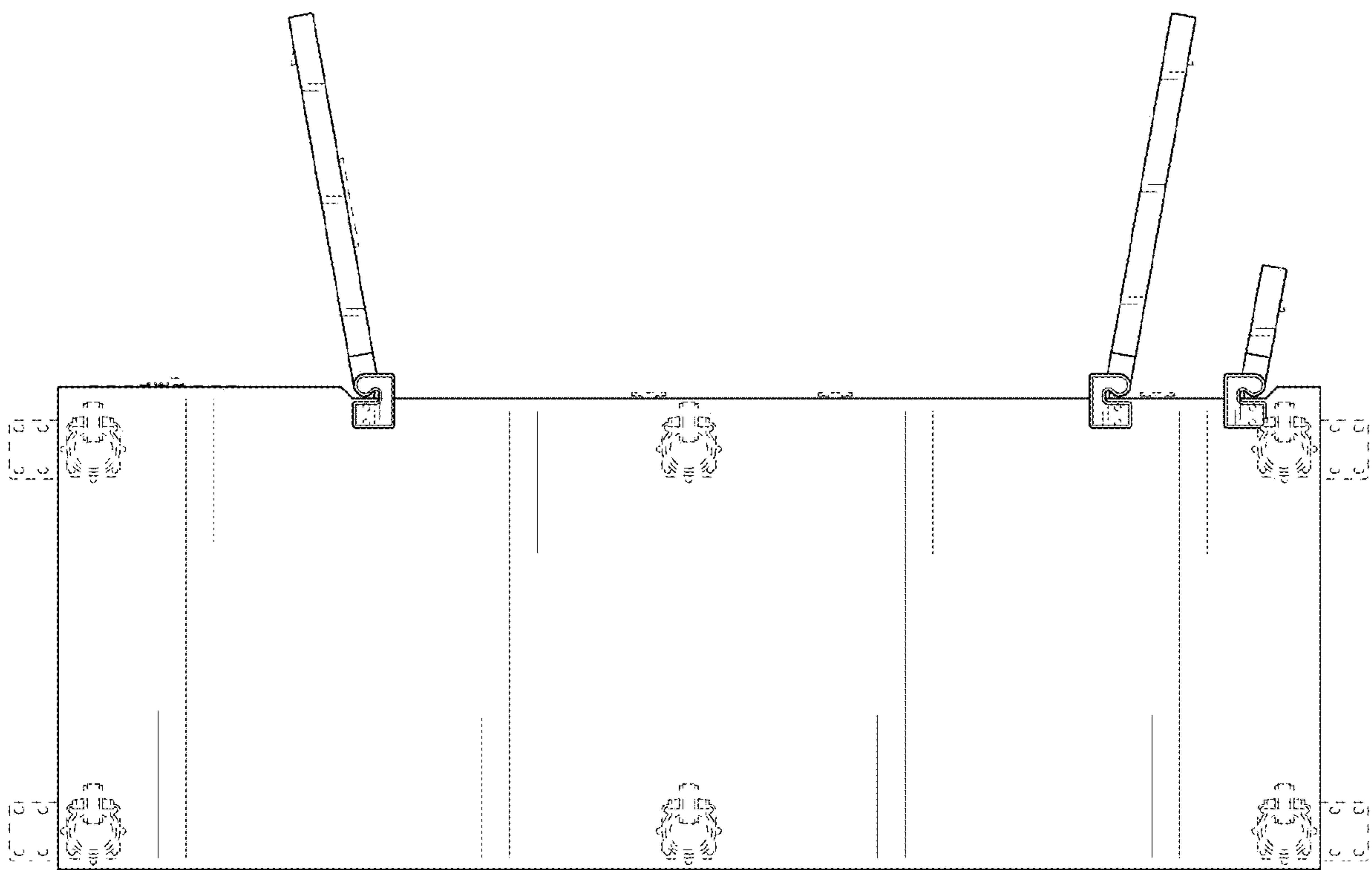


FIG. 16

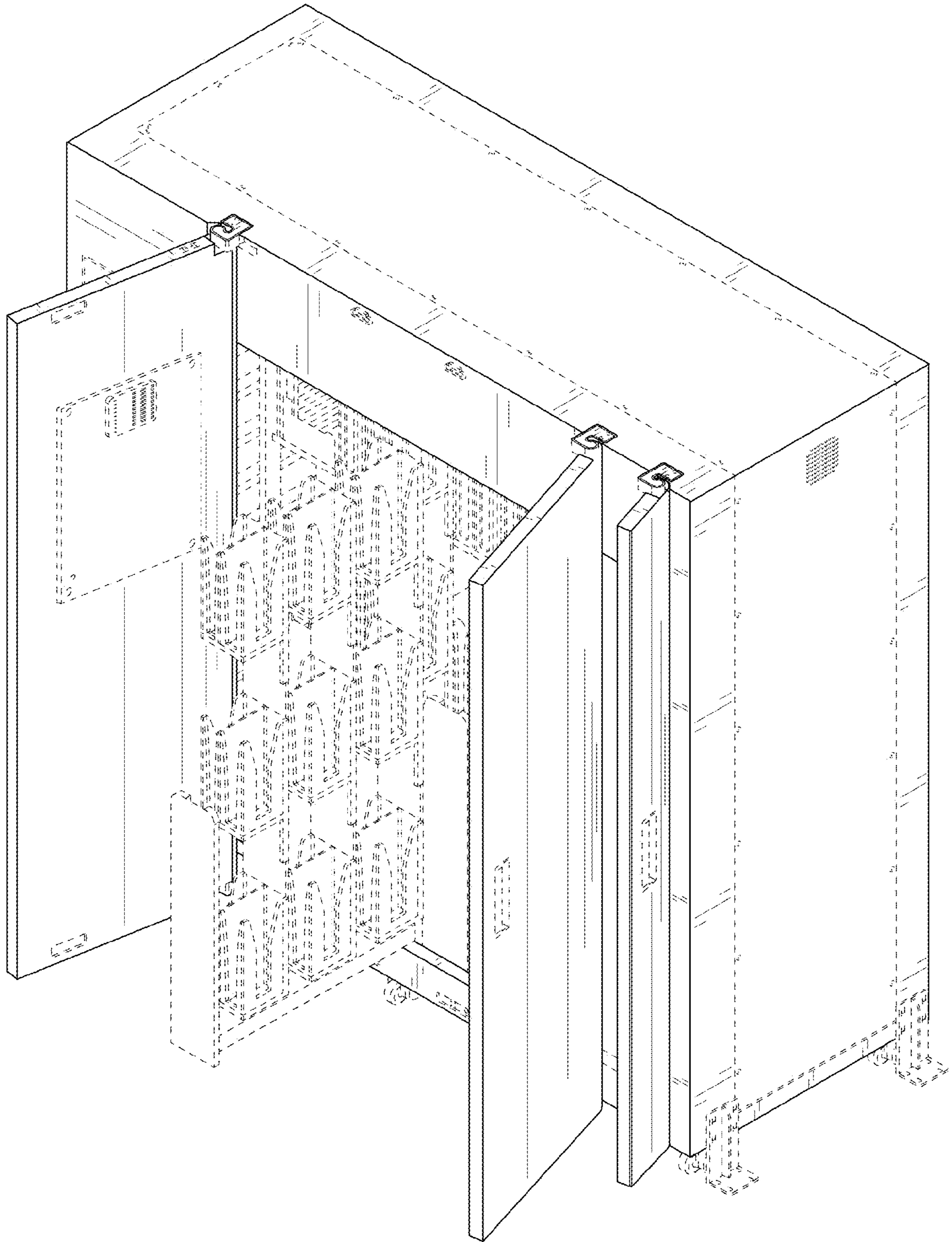


FIG. 17

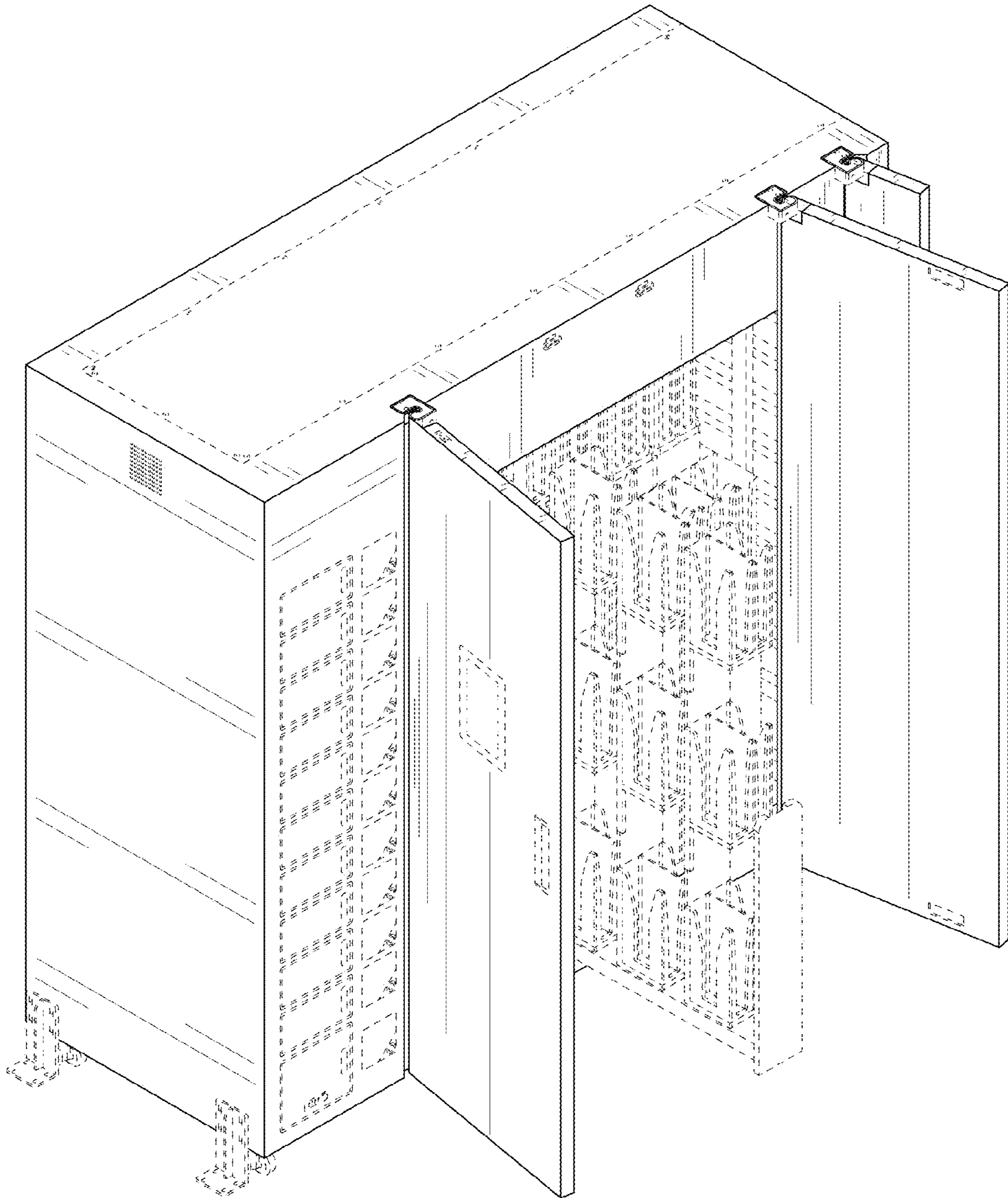


FIG. 18



FIG. 19

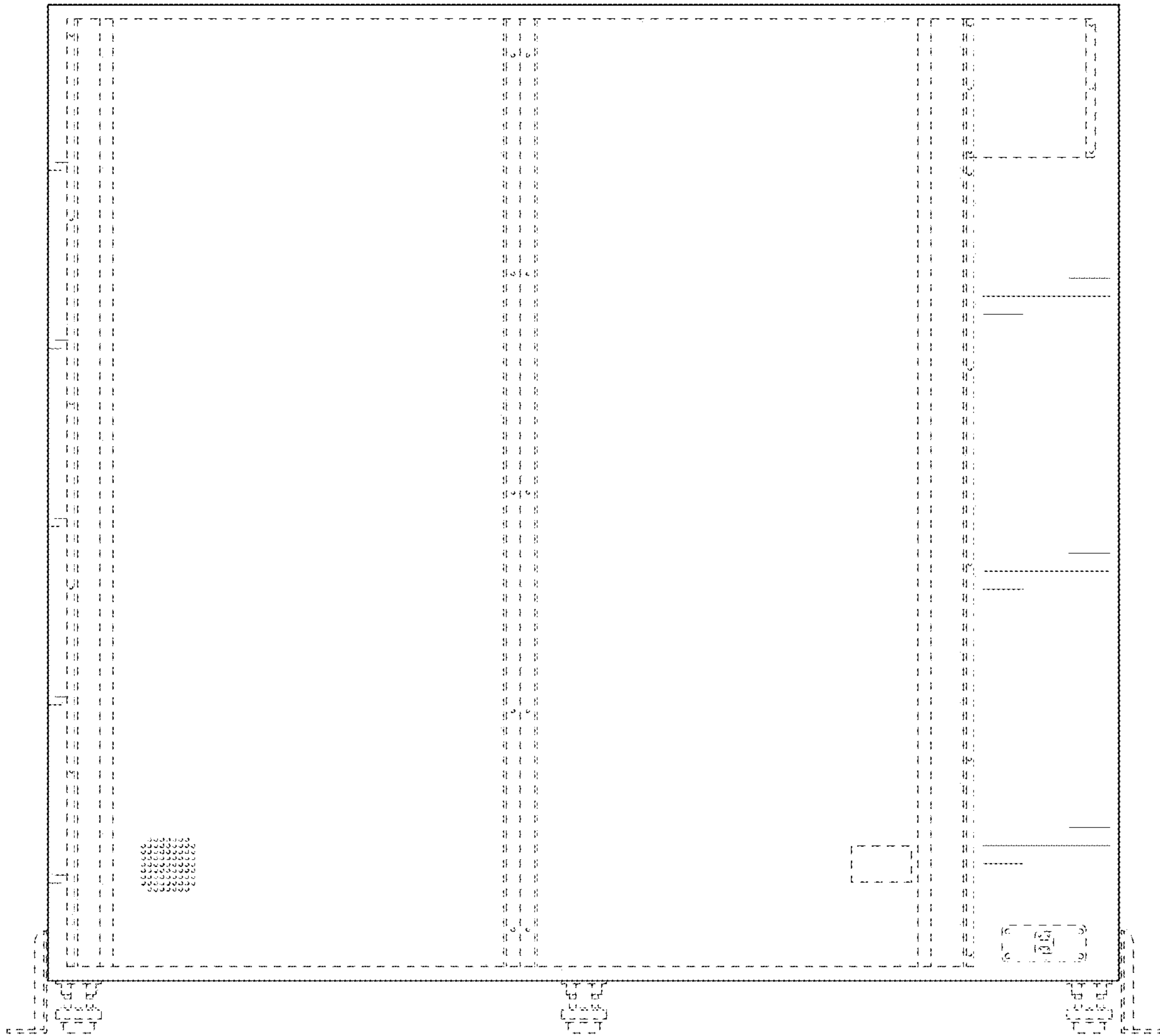


FIG. 20

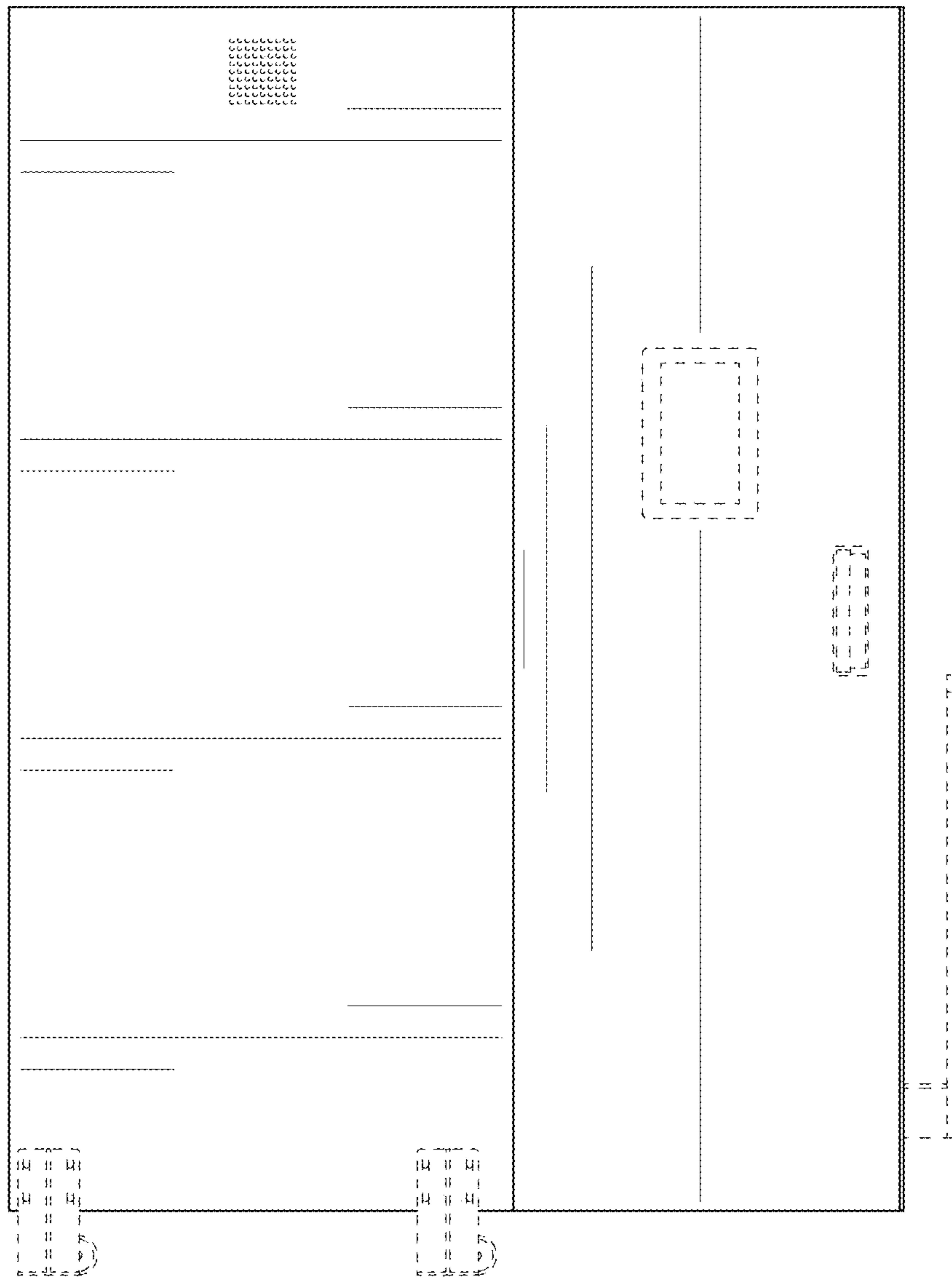


FIG. 21

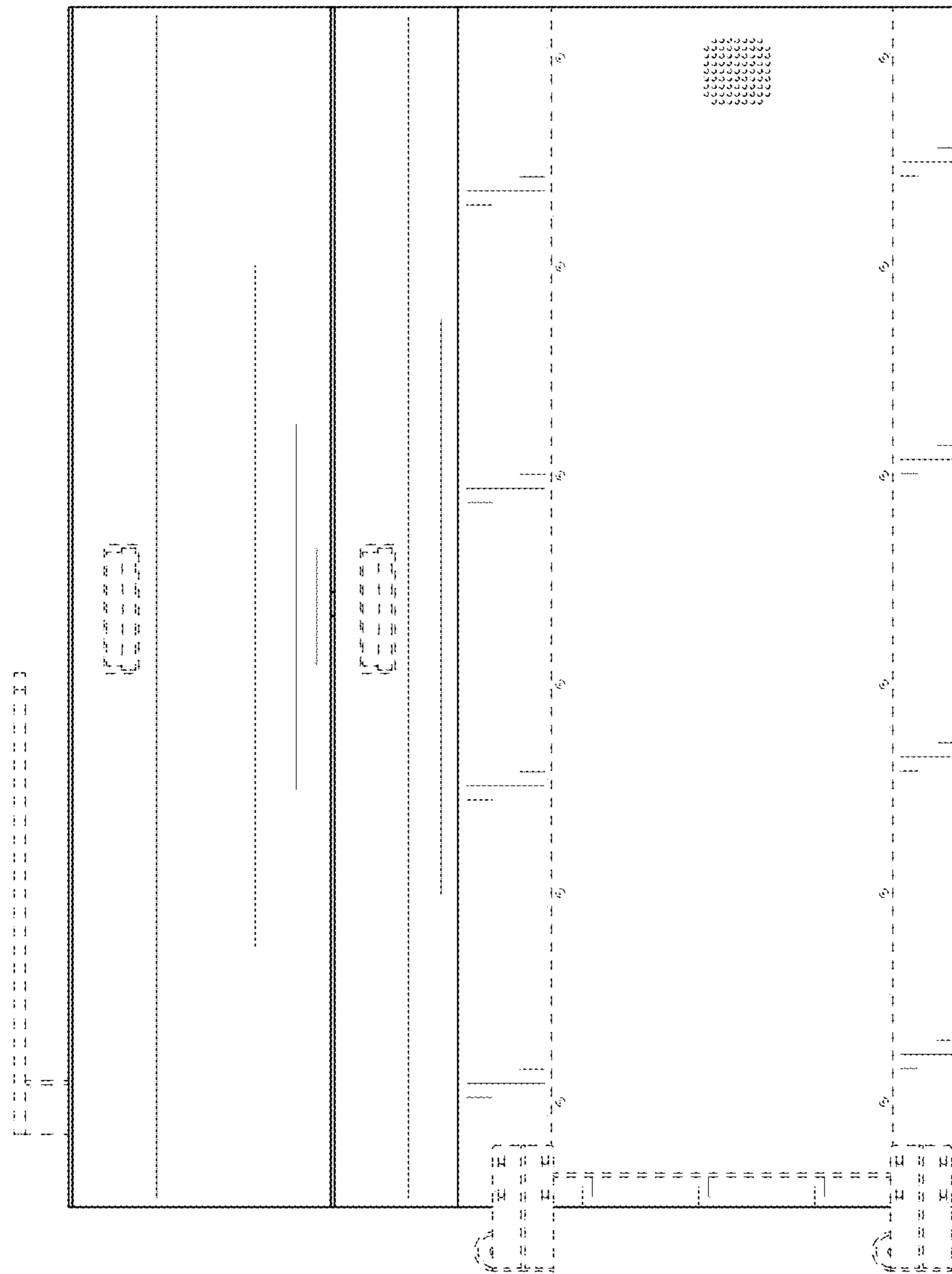


FIG. 22

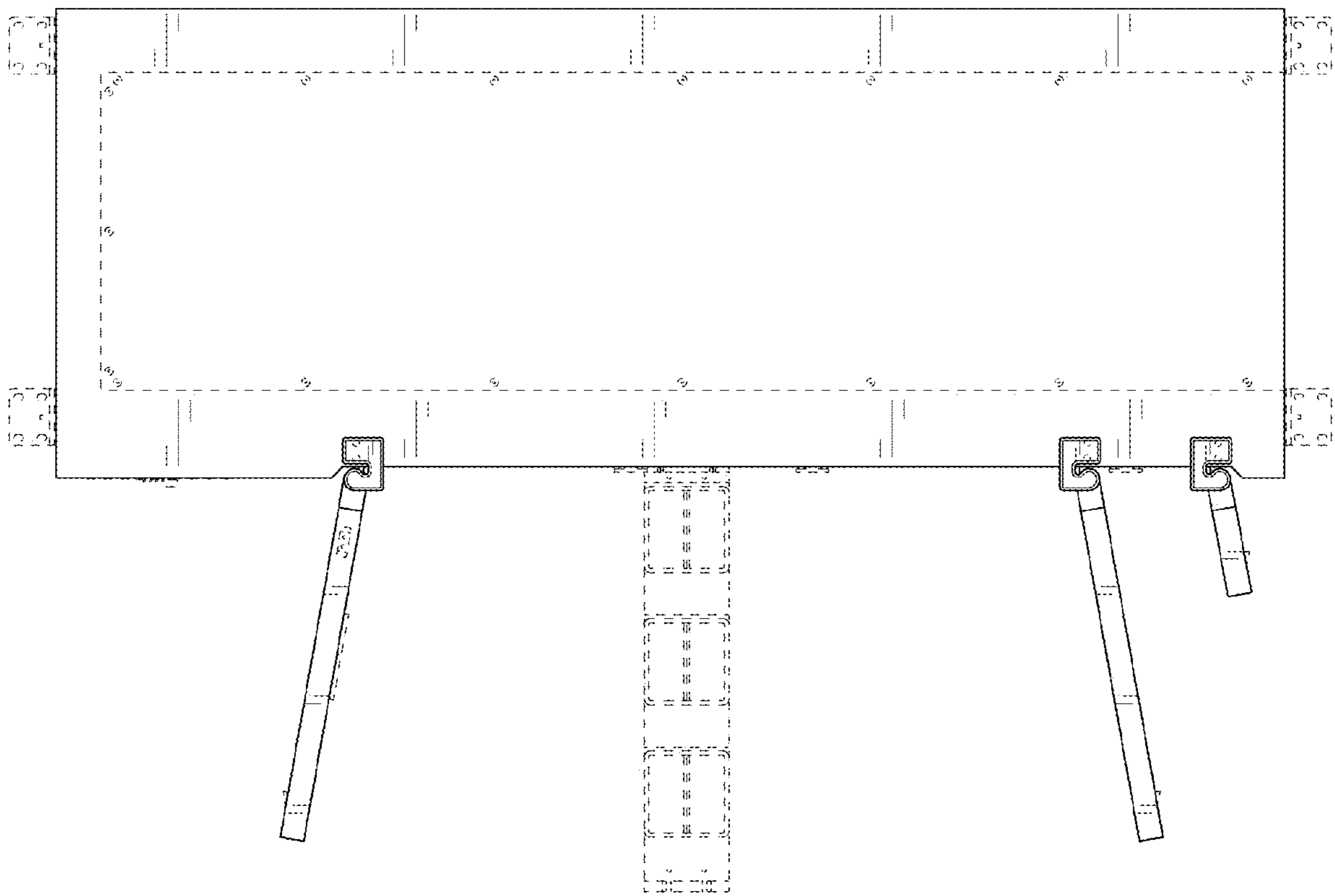


FIG. 23

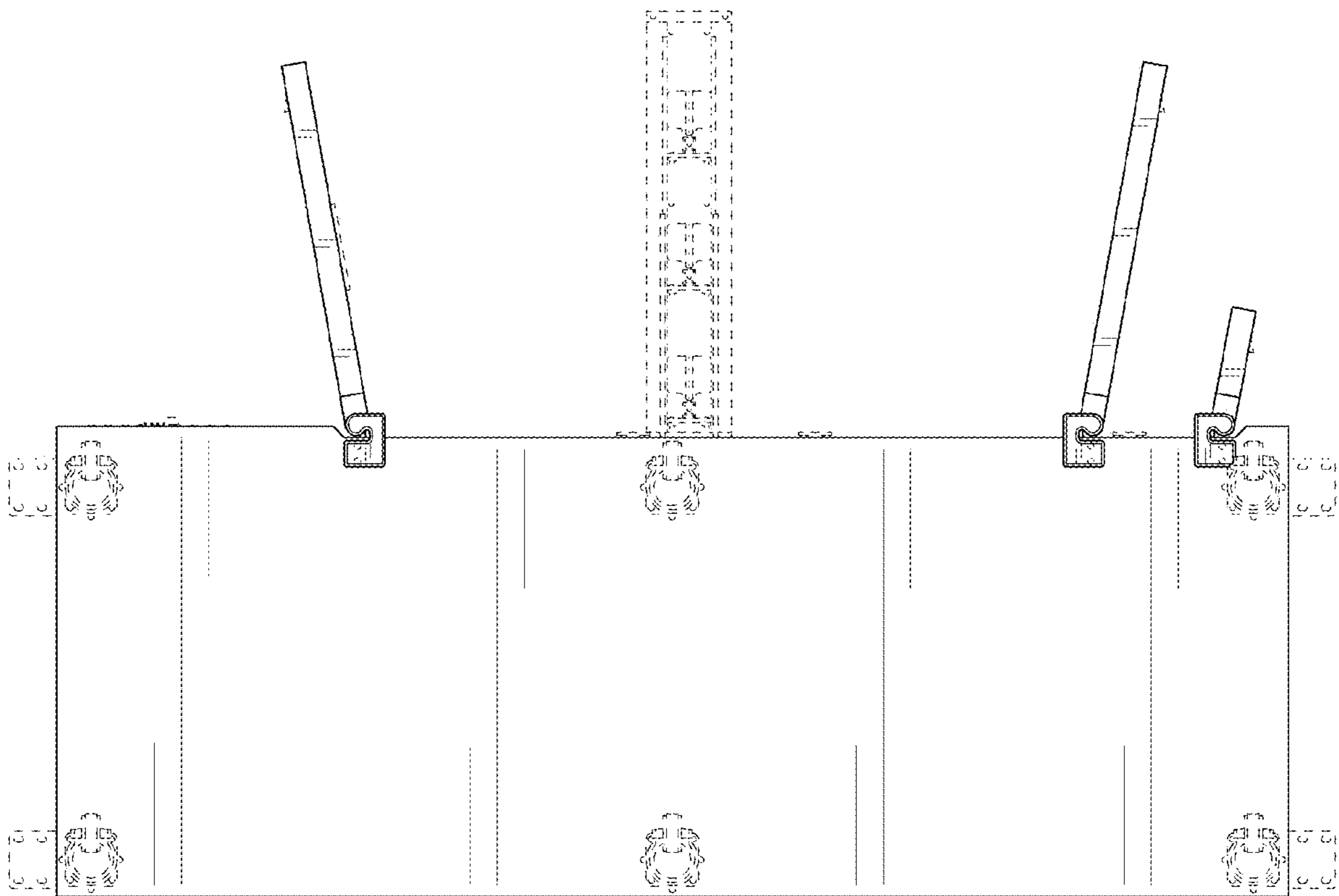


FIG. 24