



US00D989173S

(12) **United States Design Patent**
Luo

(10) **Patent No.:** **US D989,173 S**
(45) **Date of Patent:** **** Jun. 13, 2023**

(54) **DESK ORGANIZER**

(71) Applicant: **Wei Luo**, Xingning (CN)

(72) Inventor: **Wei Luo**, Xingning (CN)

(**) Term: **15 Years**

(21) Appl. No.: **29/867,721**

(22) Filed: **Nov. 4, 2022**

(30) **Foreign Application Priority Data**

Sep. 28, 2022 (CN) 202230645782.X

(51) **LOC (14) Cl.** **19-99**

(52) **U.S. Cl.**
USPC **D19/77**

(58) **Field of Classification Search**
USPC D19/75, 77, 78, 79, 80, 81; D4/341;
D3/230, 314; D28/73, 82; D6/706,
D6/683.1, 705.7, 675
CPC G06Q 10/00; G06Q 10/1095
See application file for complete search history.

(56) **References Cited**

U.S. PATENT DOCUMENTS

- D261,583 S * 11/1981 Labasan D6/675.3
- D268,119 S * 3/1983 Evenson D19/90
- D269,574 S * 7/1983 Dougherty D6/683.1
- D270,256 S * 8/1983 Sankey D19/78
- D295,796 S * 5/1988 Wadsworth D28/73
- D321,011 S * 10/1991 Blossom D19/78
- D357,373 S * 4/1995 Wolff D6/675.3
- D387,498 S * 12/1997 Sussman D19/78
- D433,712 S * 11/2000 Walsh D19/75
- D531,226 S * 10/2006 Chen D19/78
- D612,891 S * 3/2010 Chen D19/78
- D634,785 S * 3/2011 Stravitz D19/78

- D689,942 S * 9/2013 Hu D19/78
- D739,463 S * 9/2015 Lee D19/78
- D804,571 S * 12/2017 Okene D19/78
- D856,420 S 8/2019 Tsai
- D966,409 S * 10/2022 Gao D19/92
- 2004/0108282 A1* 6/2004 Fynn A47B 17/03
211/11

OTHER PUBLICATIONS

Marbrasse Desk Organizer, Amazon.com,date published Oct. 23, 2021,date retrieved Jan. 23, 2023—U.S. Appl. No. 29/867,721—<https://amzn.to/3iWboiU> (Year: 2021).*

* cited by examiner

Primary Examiner — Nicole C Shiflet
Assistant Examiner — Danielle Nichole Bowly

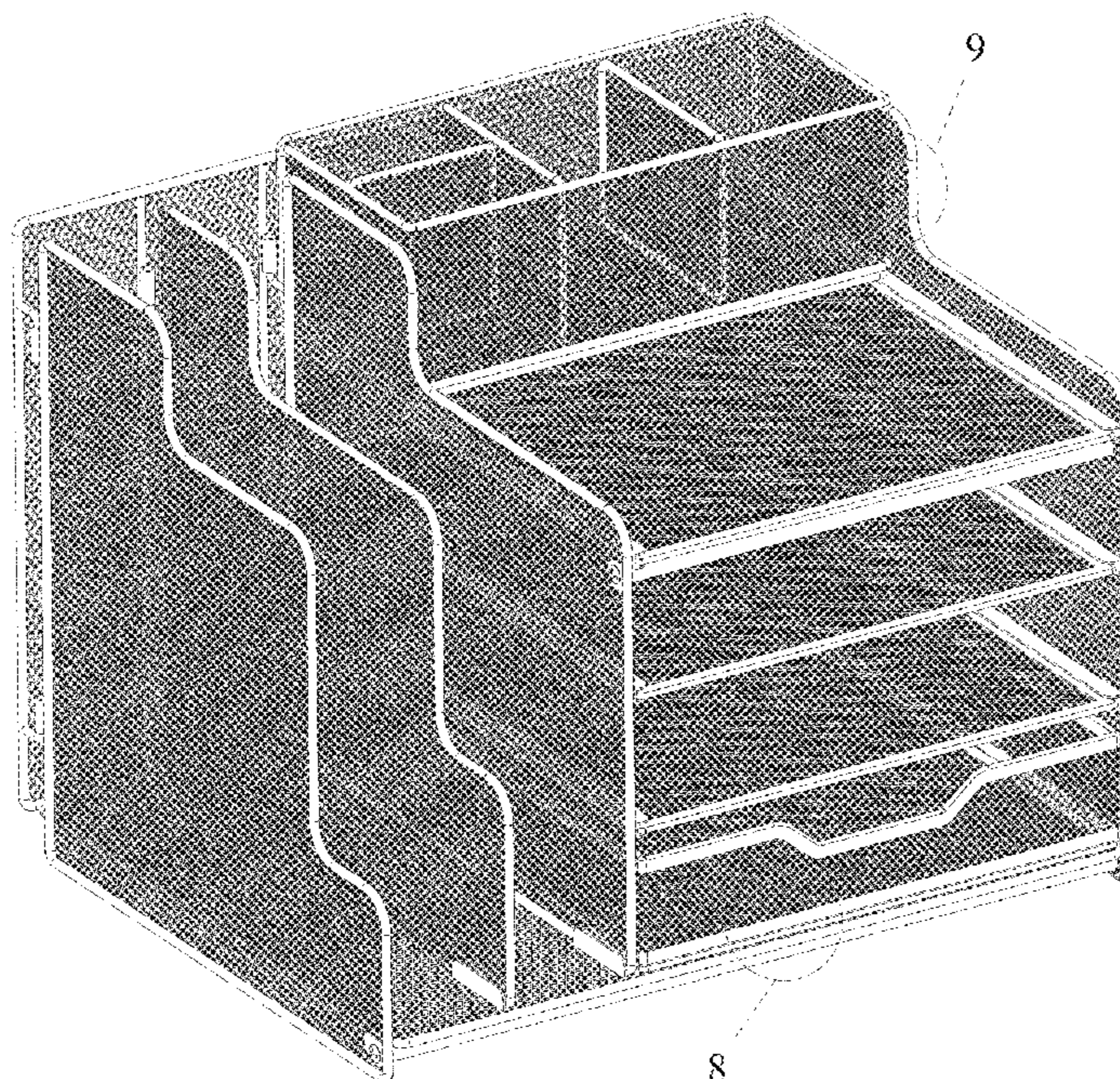
(57) **CLAIM**

The ornamental design for a desk organizer, as shown and described.

DESCRIPTION

FIG. 1 is a front, left and top perspective view of a desk organizer showing my new design;
FIG. 2 is a front view thereof;
FIG. 3 is a rear view thereof;
FIG. 4 is a left side view thereof;
FIG. 5 is a right side view thereof;
FIG. 6 is a top plan view thereof;
FIG. 7 is a bottom plan view thereof;
FIG. 8 is an enlarged partial view of FIG. 1; and,
FIG. 9 is an enlarged partial view of FIG. 1.

1 Claim, 9 Drawing Sheets



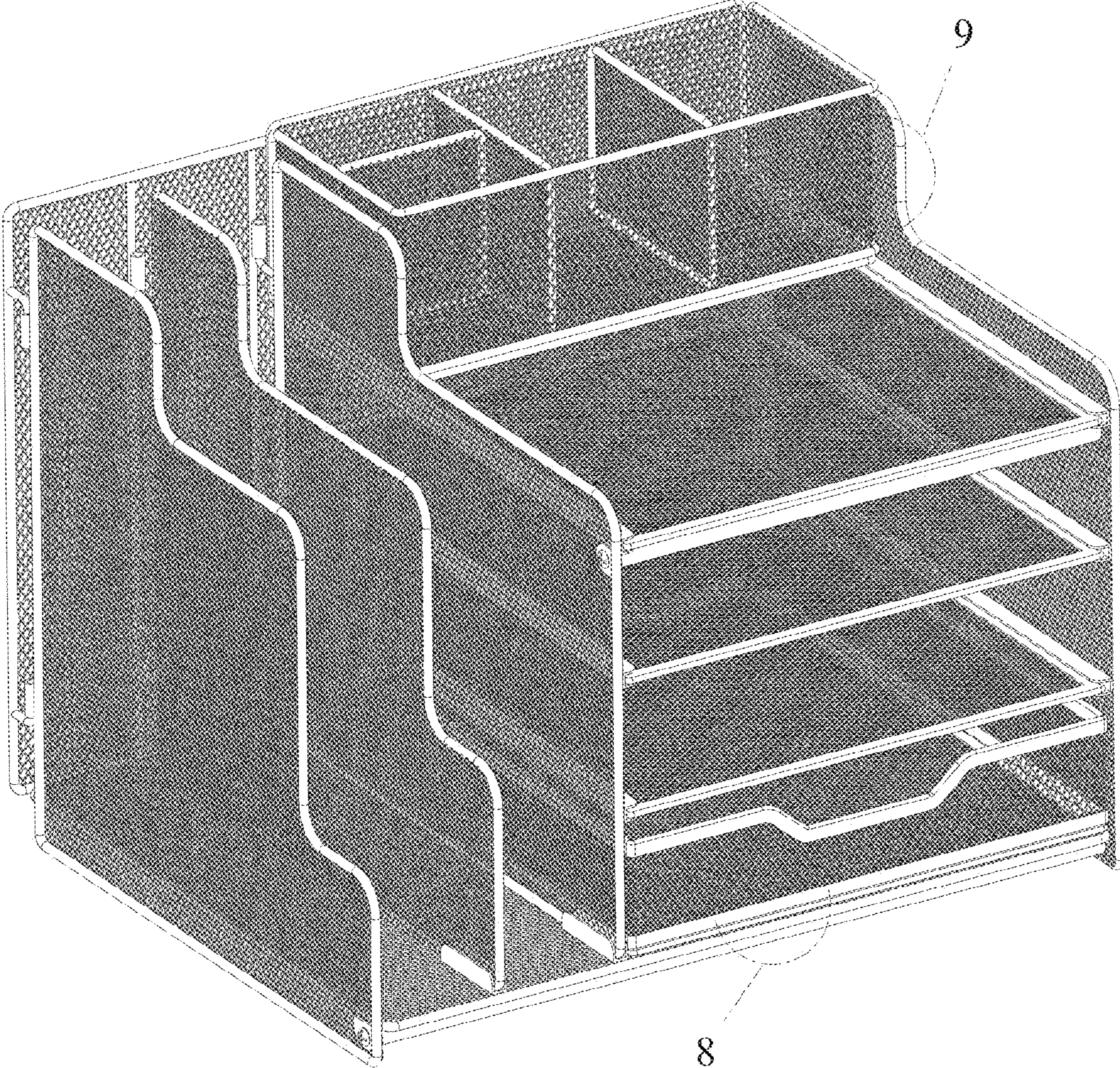


FIG. 1

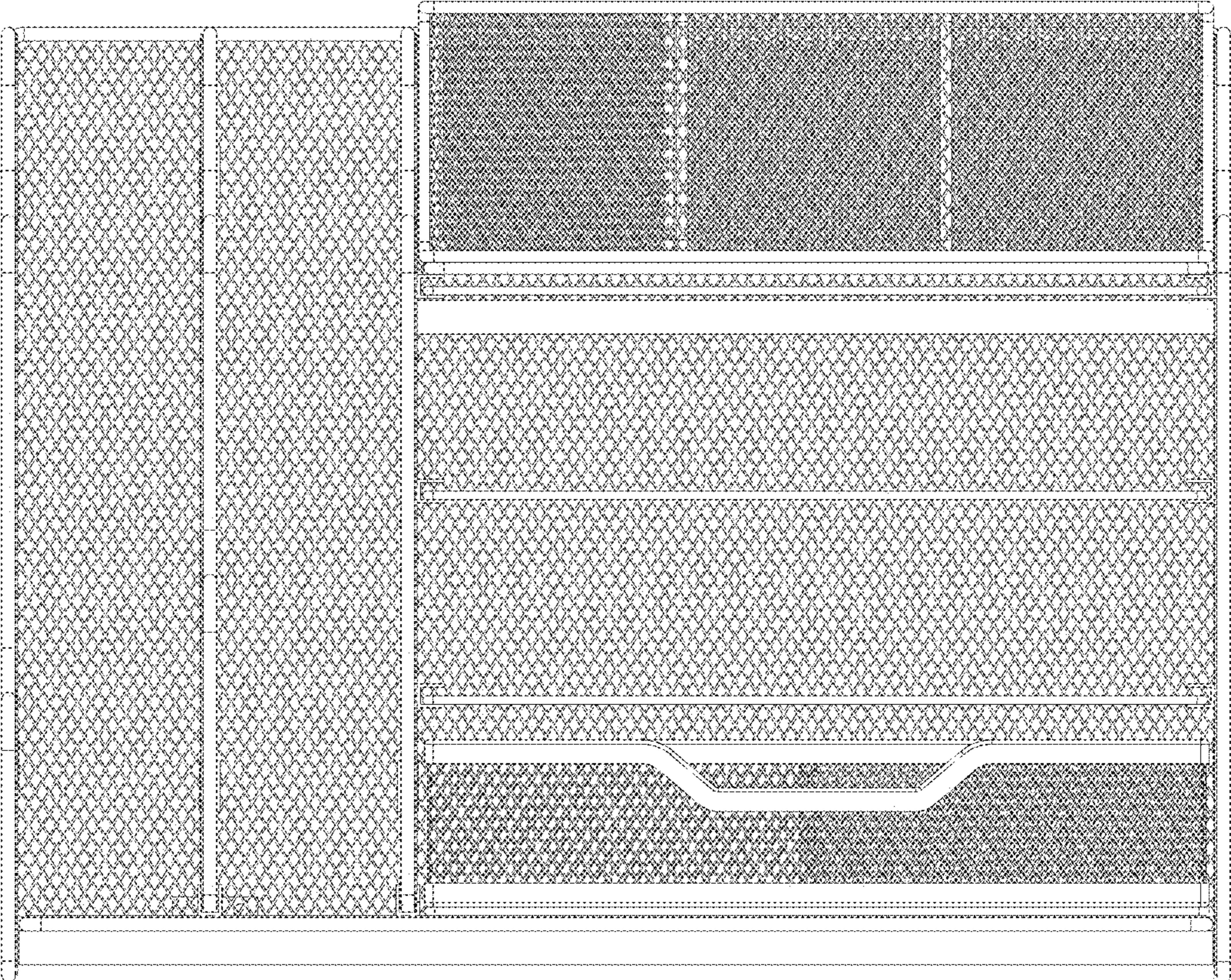


FIG. 2

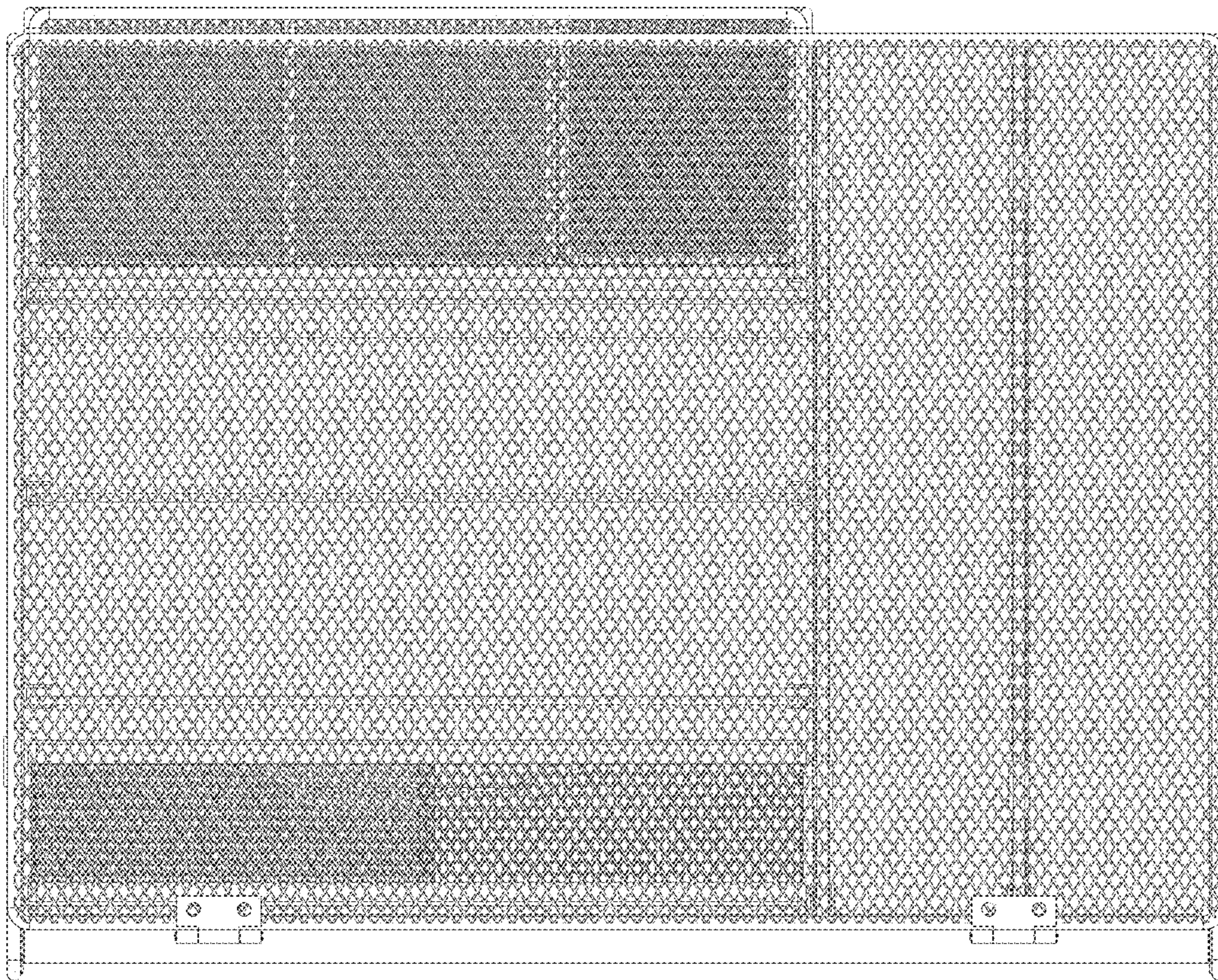


FIG. 3

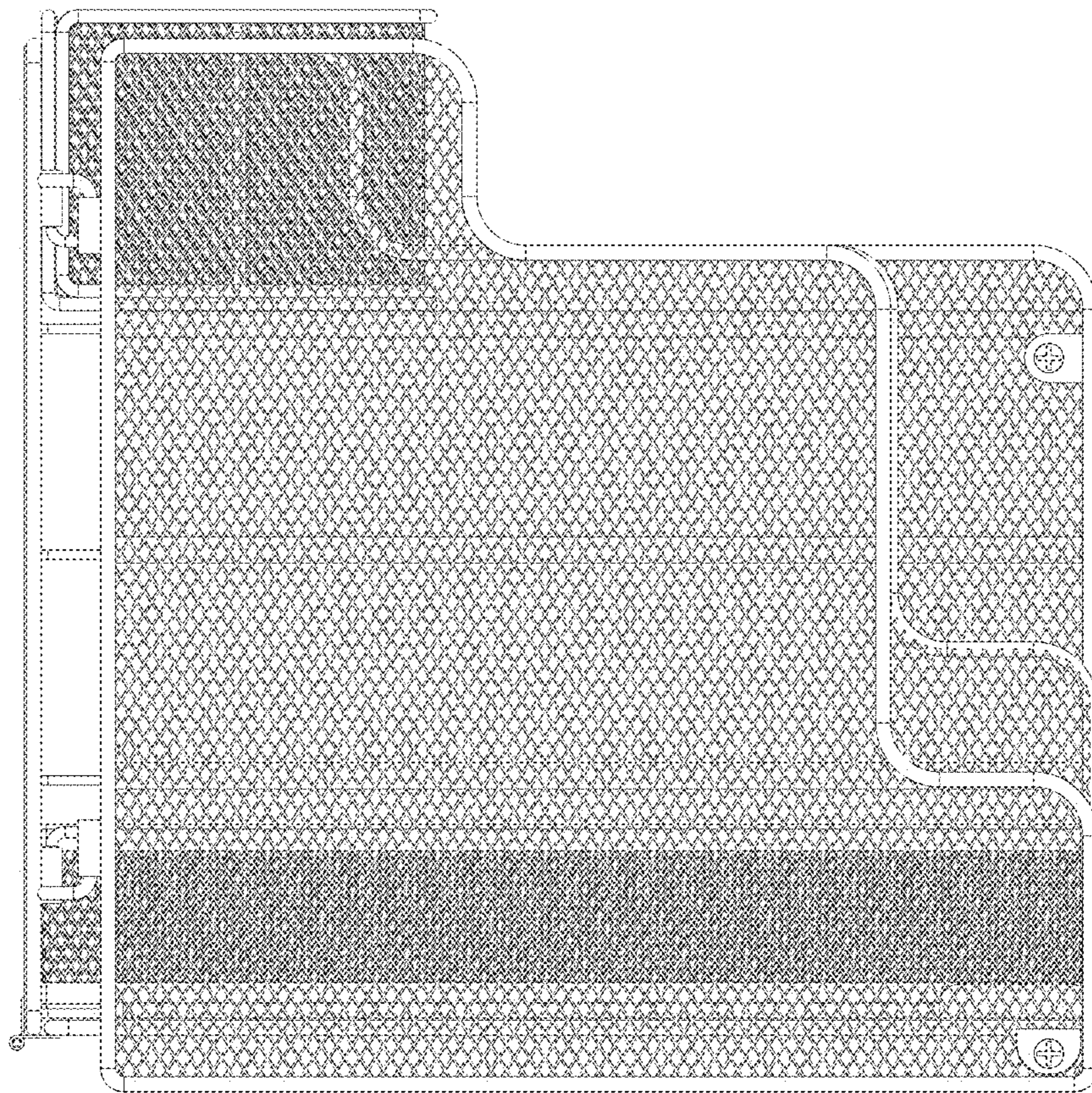


FIG. 4

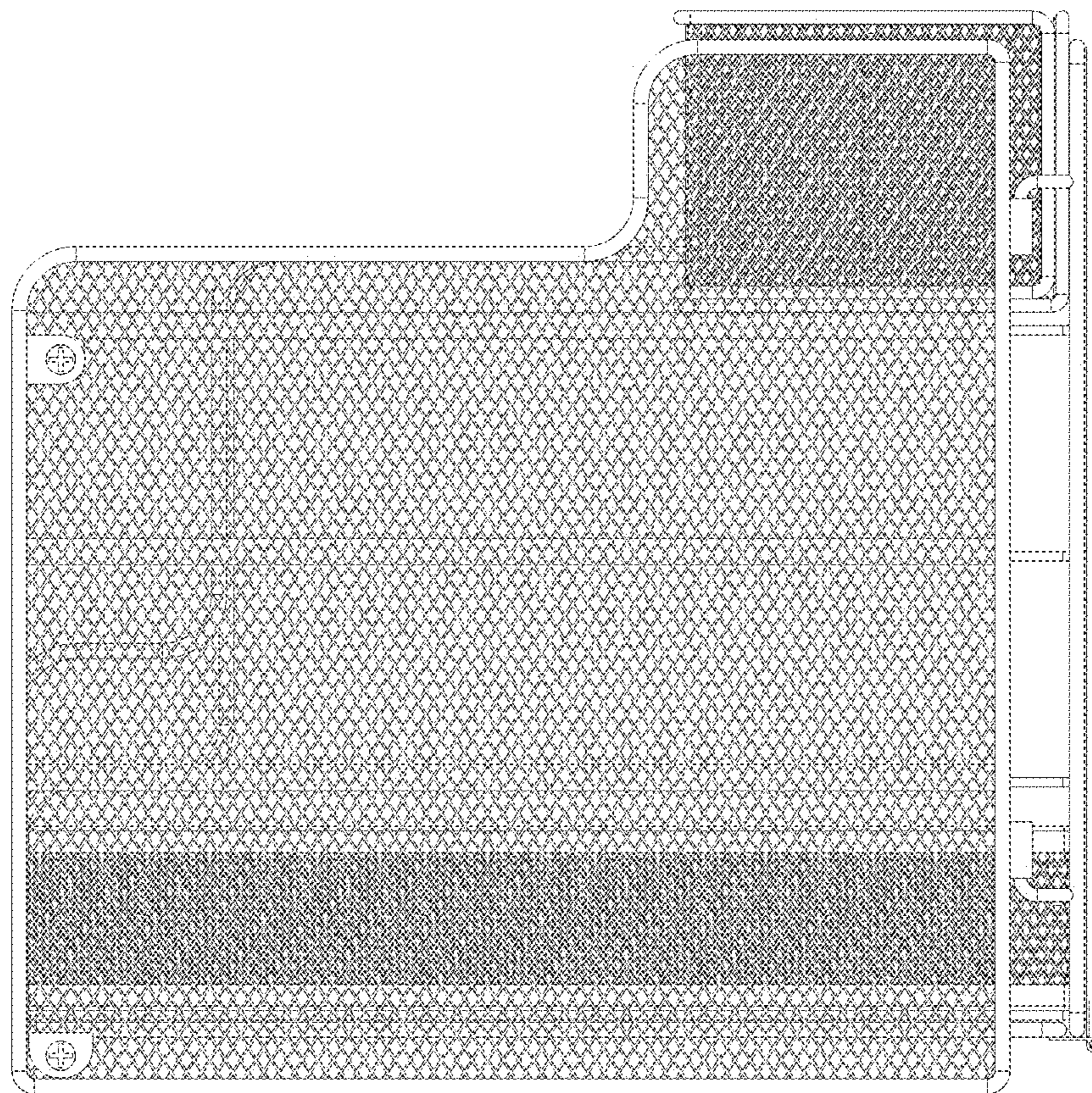


FIG. 5

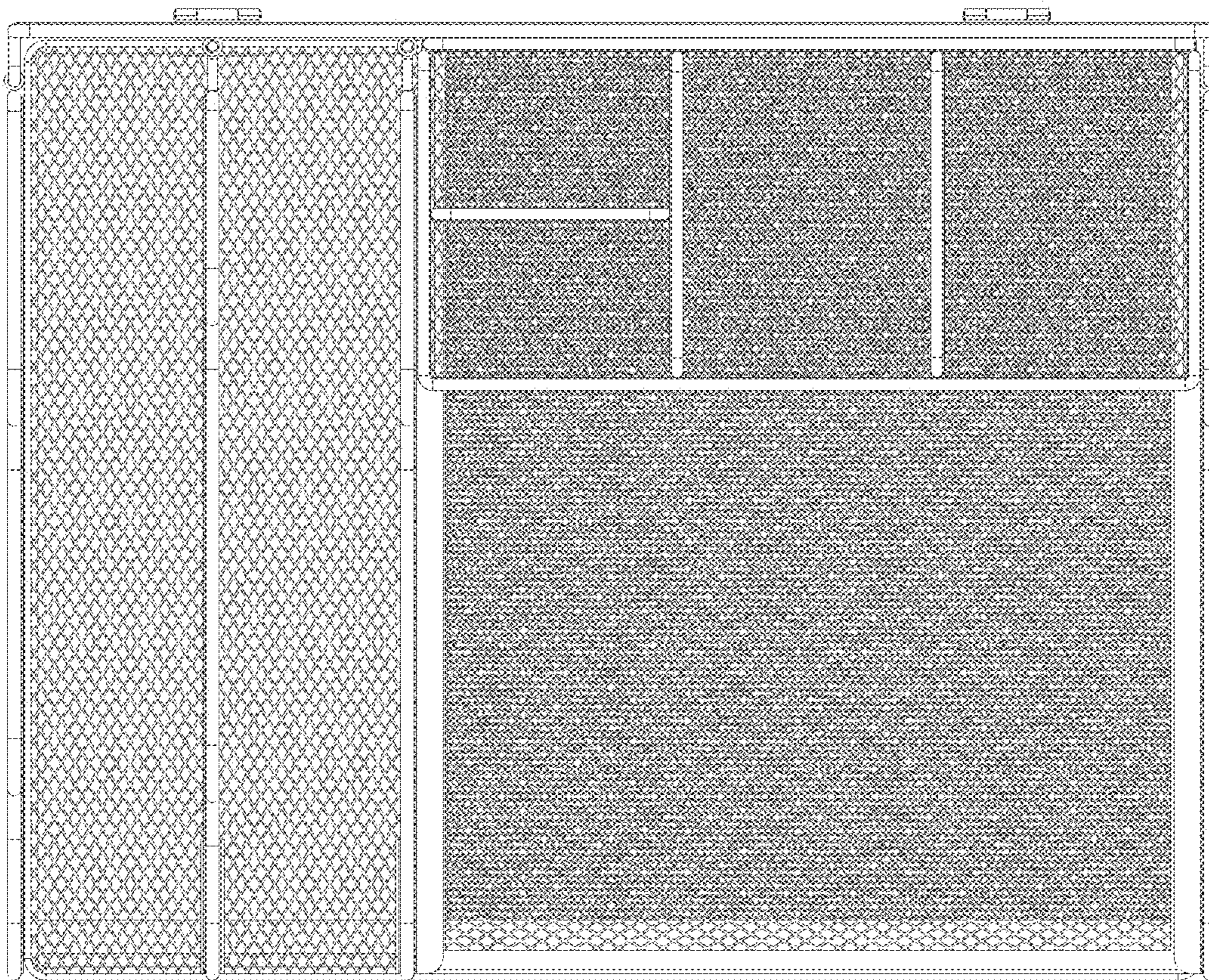


FIG. 6

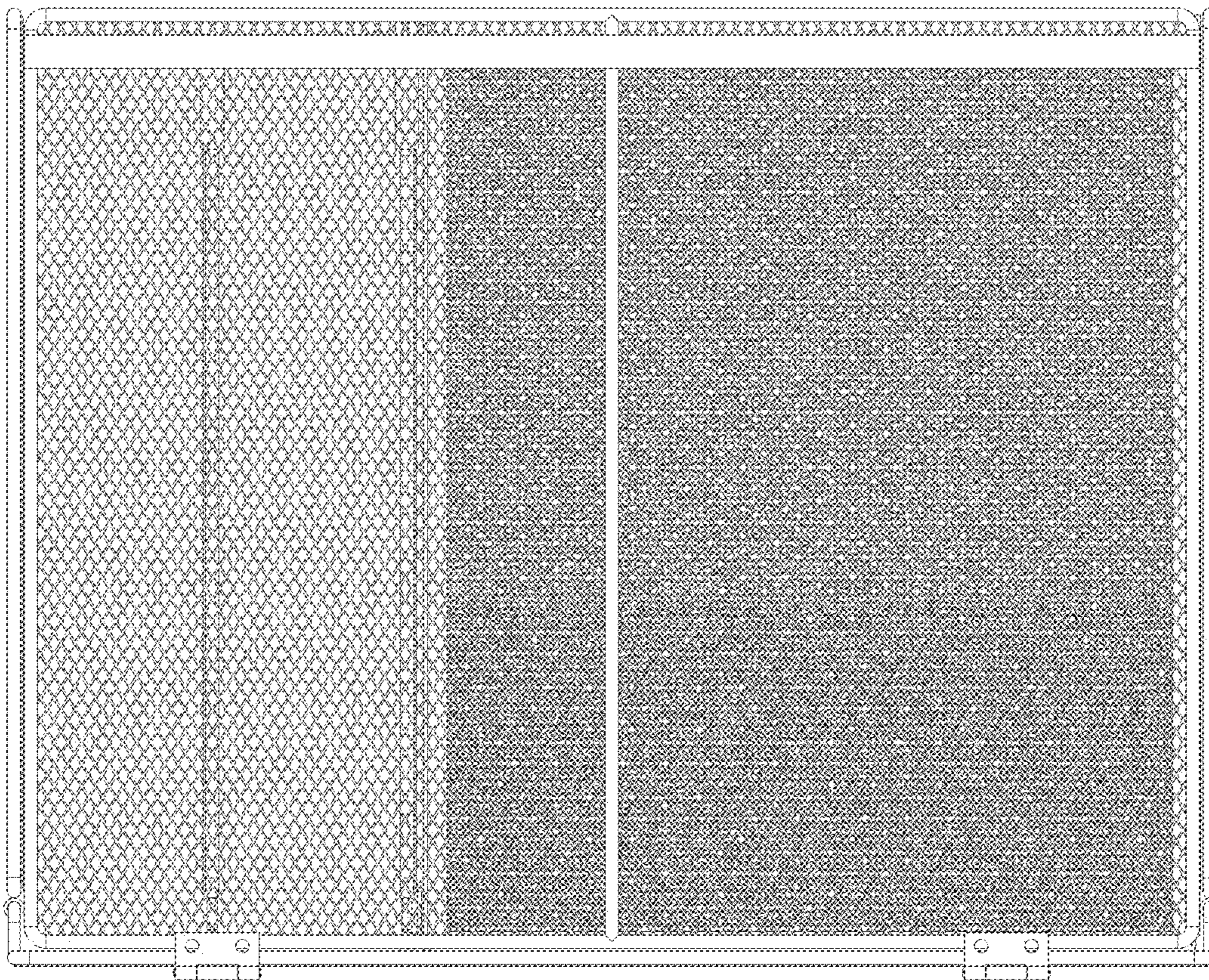


FIG. 7

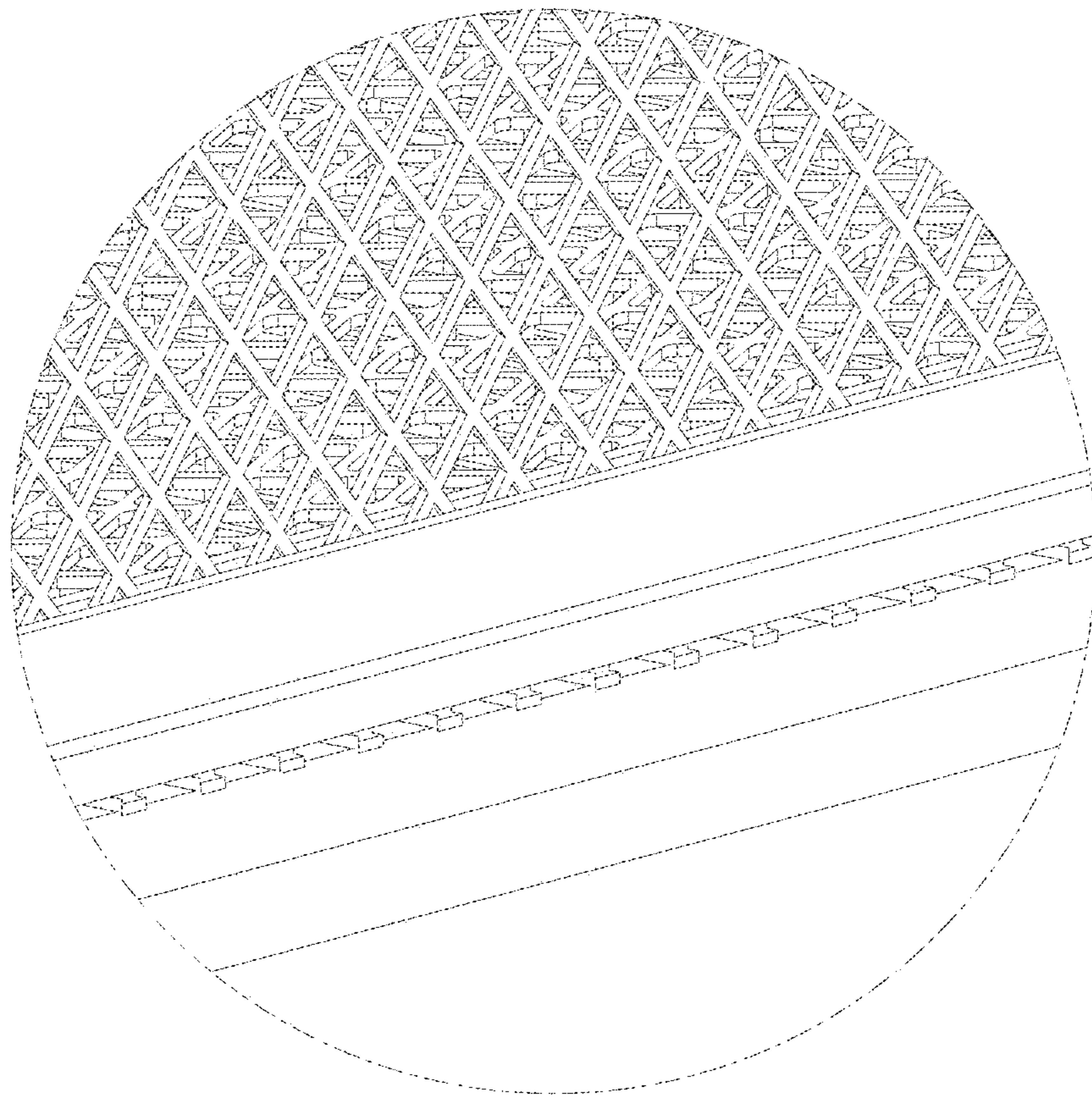


FIG. 8

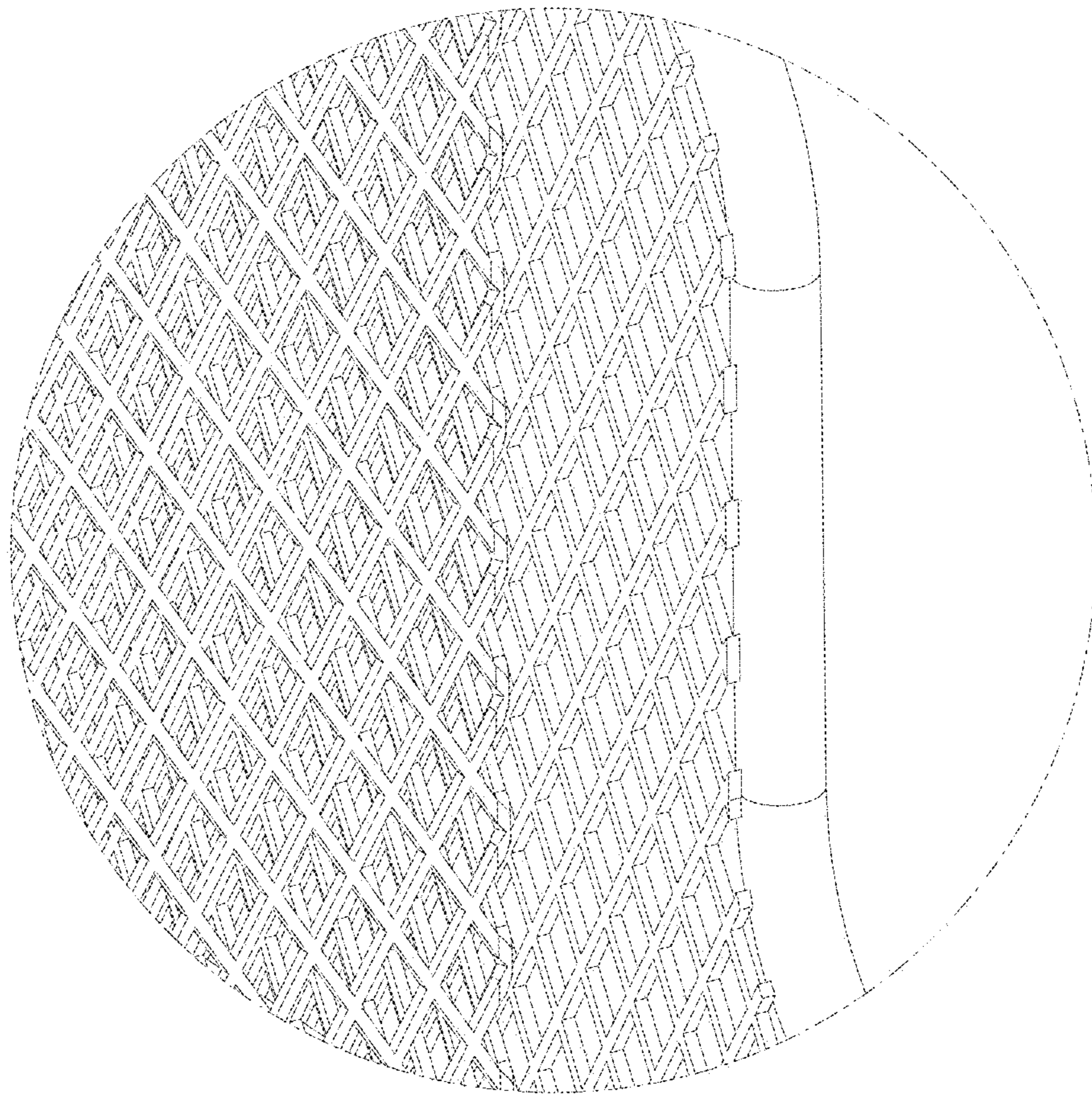


FIG. 9