



US00D989172S

(12) **United States Design Patent** (10) **Patent No.:** **US D989,172 S**  
**Woodcock** (45) **Date of Patent:** **\*\* Jun. 13, 2023**

(54) **ADHESIVE TAPE DISPENSER TOOL**

(71) Applicant: **David Harold Woodcock**, Blackpool (GB)

(72) Inventor: **David Harold Woodcock**, Blackpool (GB)

(\*\*) Term: **15 Years**

(21) Appl. No.: **35/514,361**

(22) Filed: **May 14, 2022**

(80) **Hague Agreement Data**

Int. Filing Date: **May 14, 2022**

Int. Reg. No.: **DM/220890**

Int. Reg. Date: **May 14, 2022**

Int. Reg. Pub. Date: **May 27, 2022**

(51) **LOC (14) Cl.** ..... **19-02**

(52) **U.S. Cl.**  
USPC ..... **D19/67**

(58) **Field of Classification Search**  
USPC .... D19/34, 66, 67, 68, 69, 82, 86; D11/164;  
D8/20, 49, 367, 382, 373  
CPC ..... Y10T 156/1348; Y10T 156/1365  
See application file for complete search history.

(56) **References Cited**

U.S. PATENT DOCUMENTS

2,284,807 A \* 6/1942 Donahoo ..... B65H 35/008  
D19/72  
D150,498 S \* 8/1948 Hazelton ..... D19/69

D227,165 S \* 6/1973 Gordon ..... D19/89  
D290,139 S \* 6/1987 Harris ..... D19/69  
D323,187 S \* 1/1992 Harris ..... D19/67  
D394,454 S \* 5/1998 Williams ..... D8/395  
D523,084 S \* 6/2006 Wojtkun ..... D19/69  
D634,365 S \* 3/2011 Martinez ..... D19/65  
D730,443 S \* 5/2015 Lau ..... D19/65  
D843,184 S \* 3/2019 Woodcock ..... D8/19  
D862,591 S \* 10/2019 Woodcock ..... D19/69  
D881,272 S \* 4/2020 Woodcock ..... D19/69  
D977,008 S \* 1/2023 Woodcock ..... D19/69

OTHER PUBLICATIONS

Tadpole Tape Cutter, Youtube, date published May 6, 2016, date retrieved Feb. 3, 2023, 29514361-<https://www.youtube.com/watch?v=mbLHhuP3PZ8> (Year: 2016).\*

\* cited by examiner

*Primary Examiner* — Nicole C Shiflet  
*Assistant Examiner* — Danielle Nichole Bowly

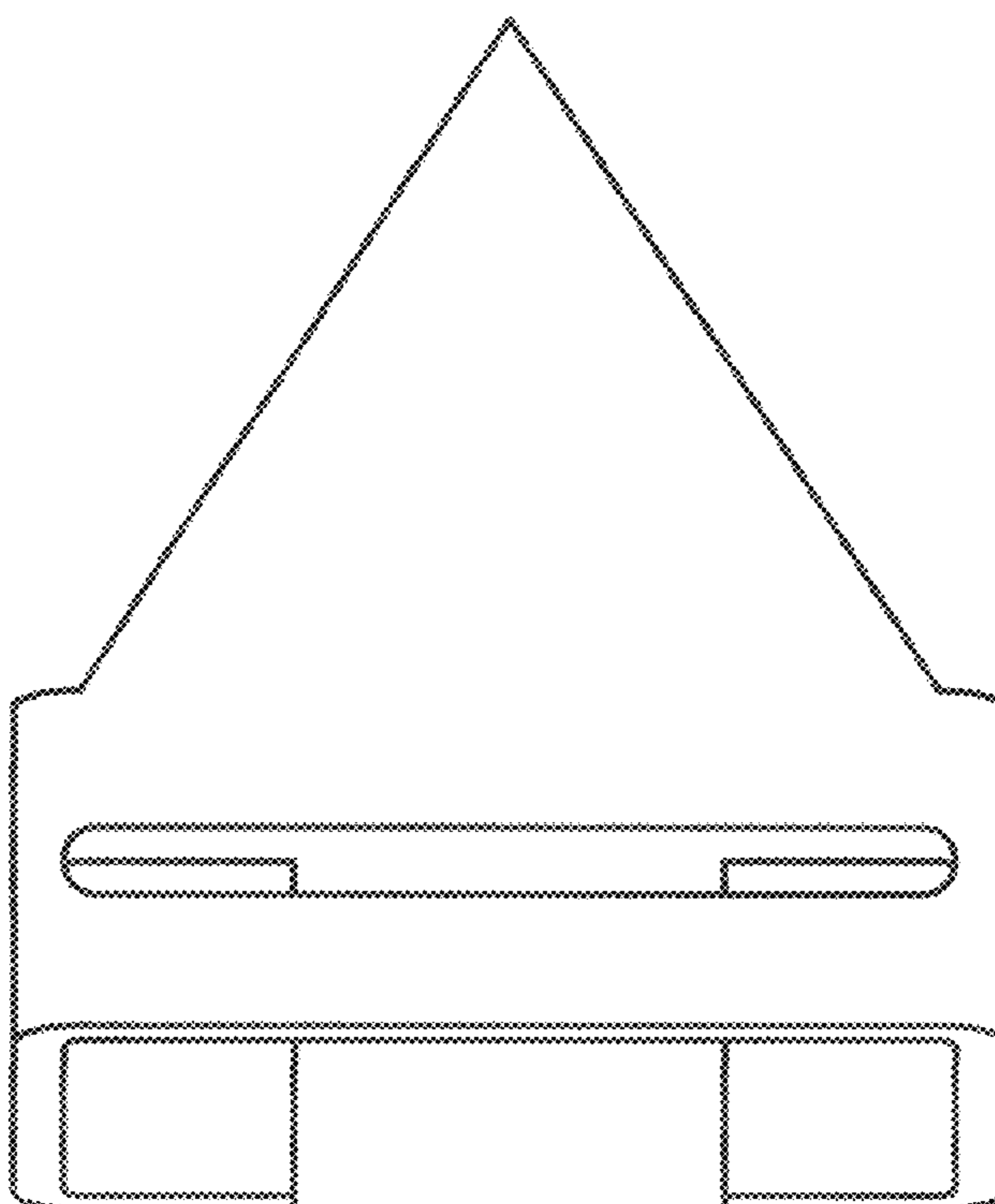
(57) **CLAIM**

The ornamental design for an adhesive tape dispenser tool, as shown and described.

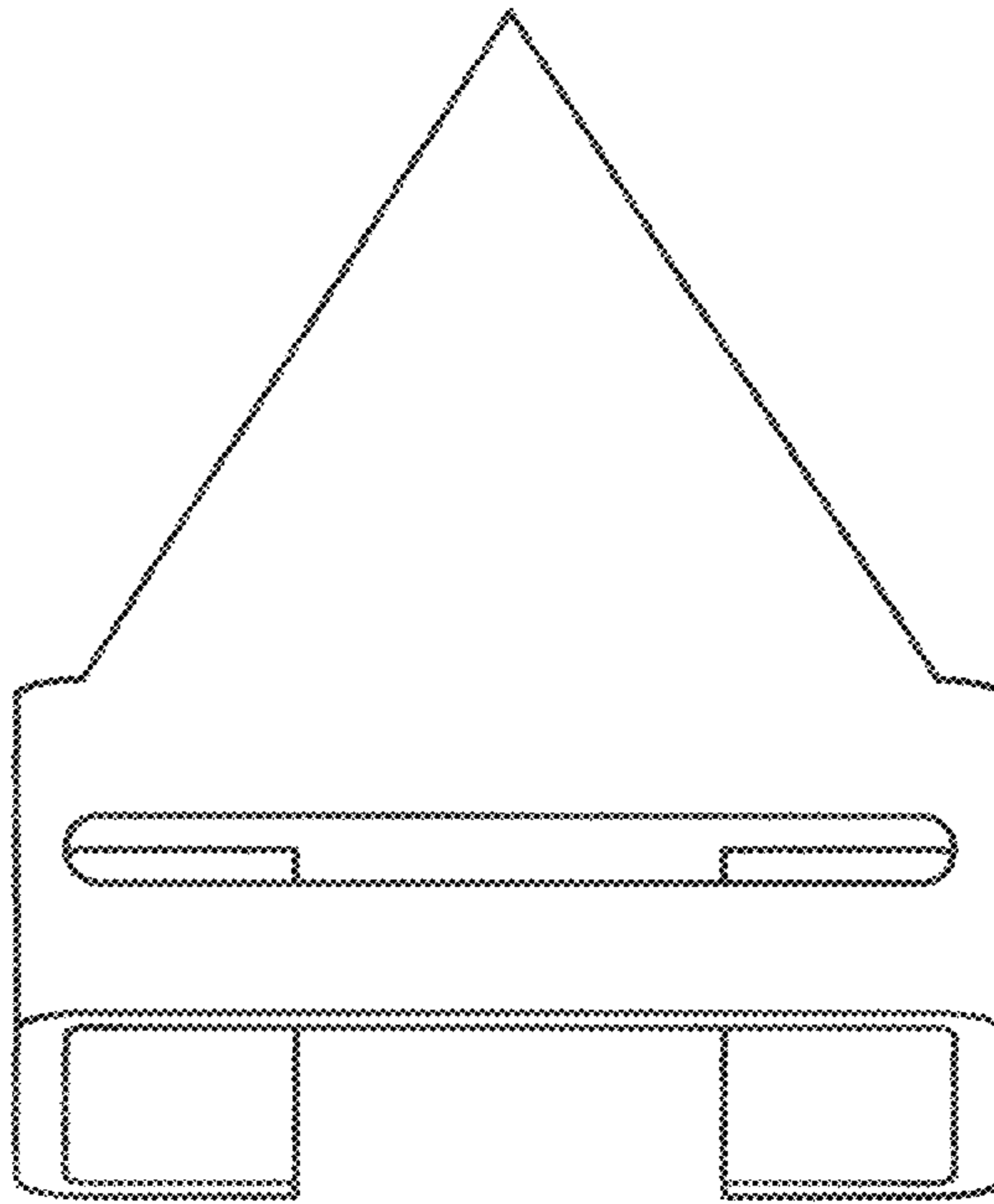
**DESCRIPTION**

1. Adhesive tape dispenser tool
- 1.1 : Top
- 1.2 : Bottom
- 1.3 : Right
- 1.4 : Left
- 1.5 : Front
- 1.6 : Back

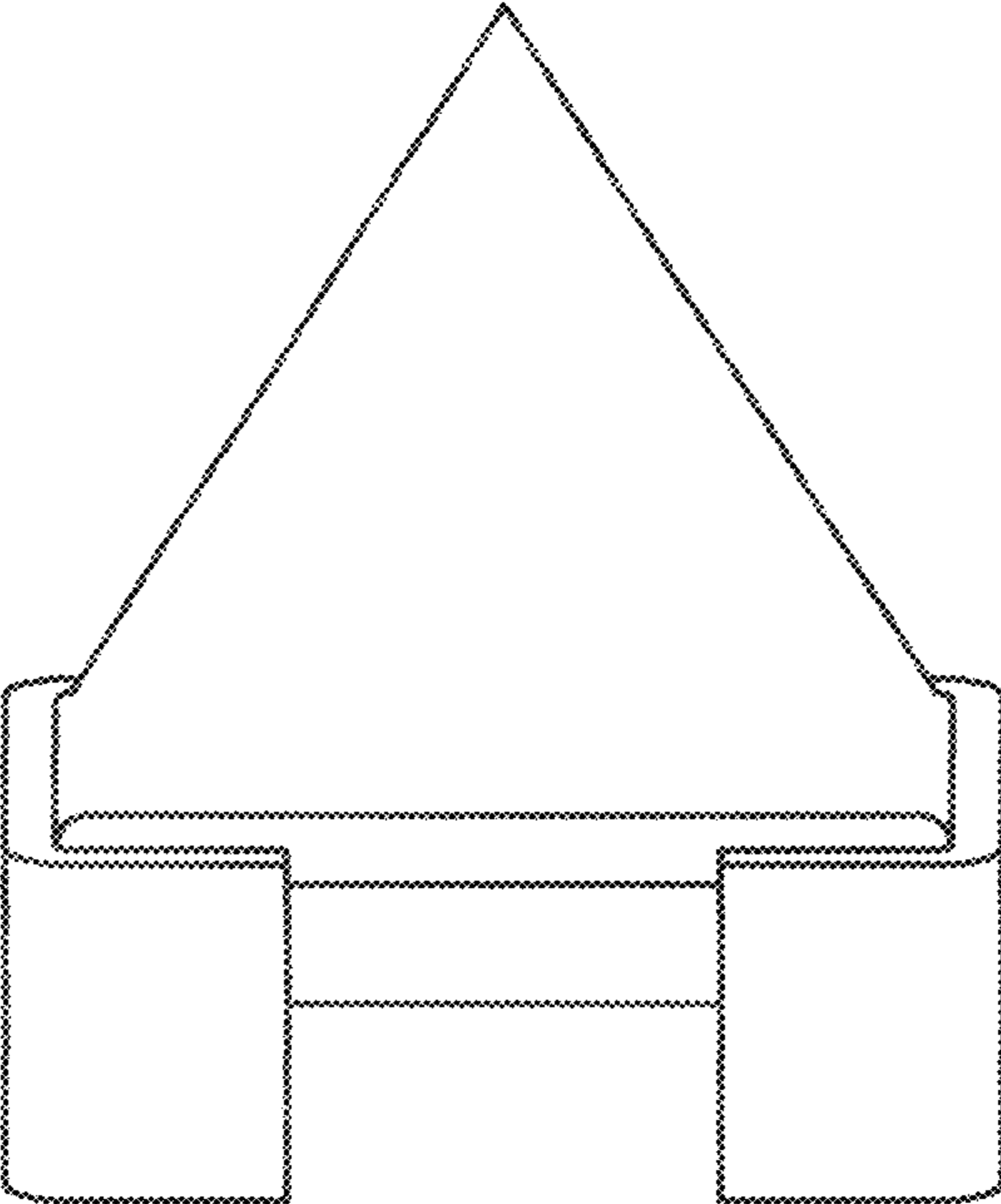
**1 Claim, 6 Drawing Sheets**



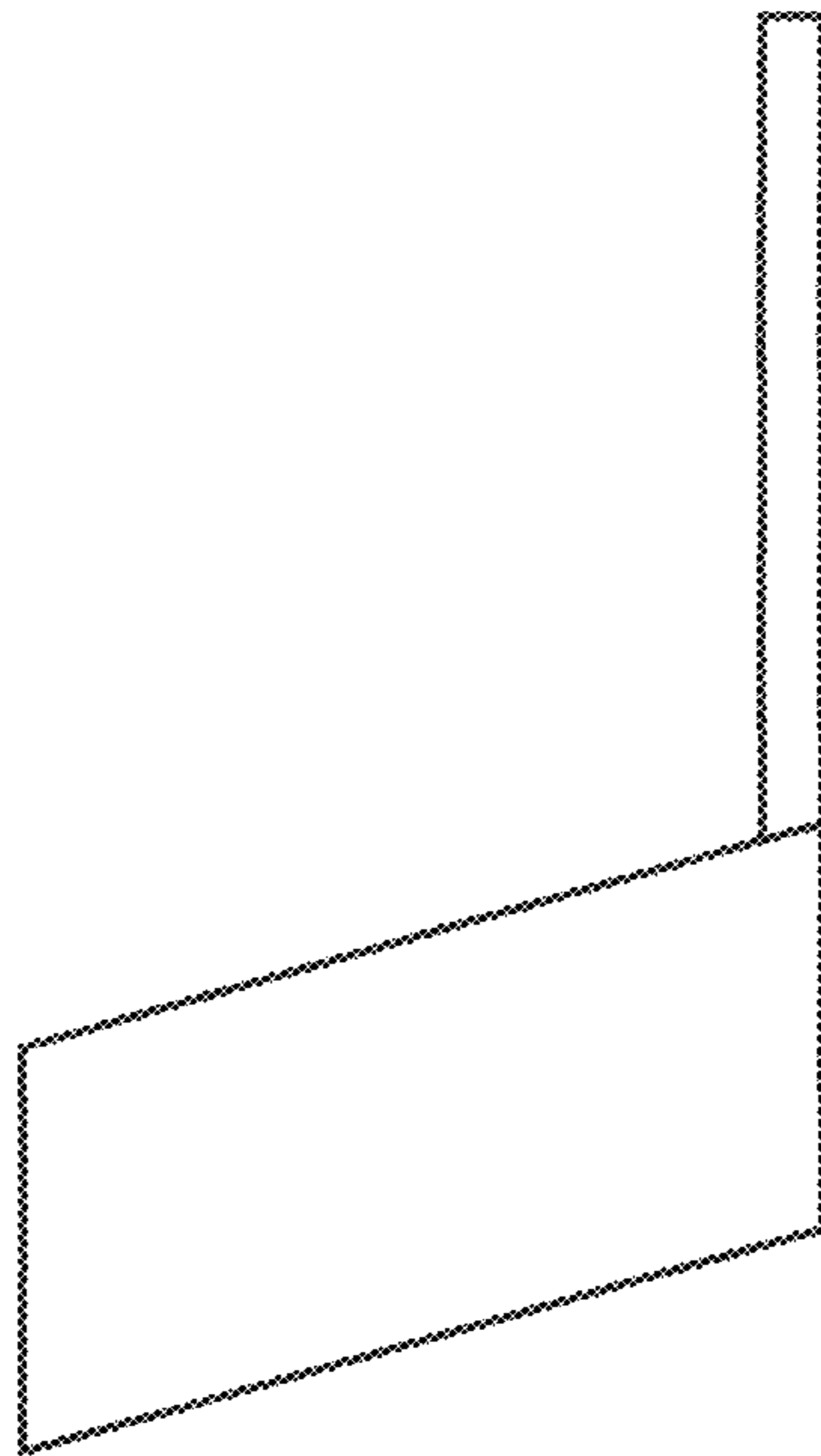
1.1



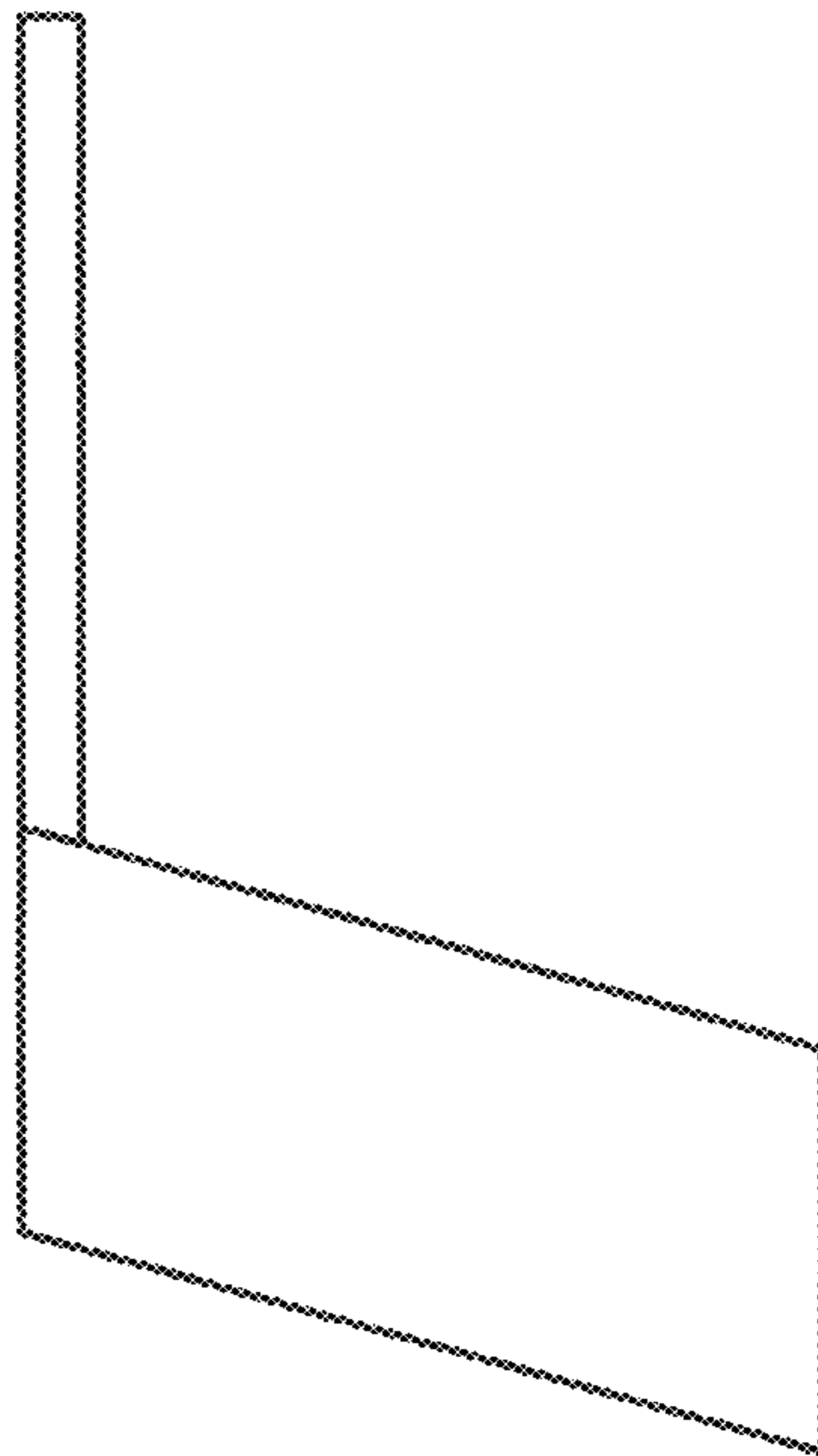
1.2



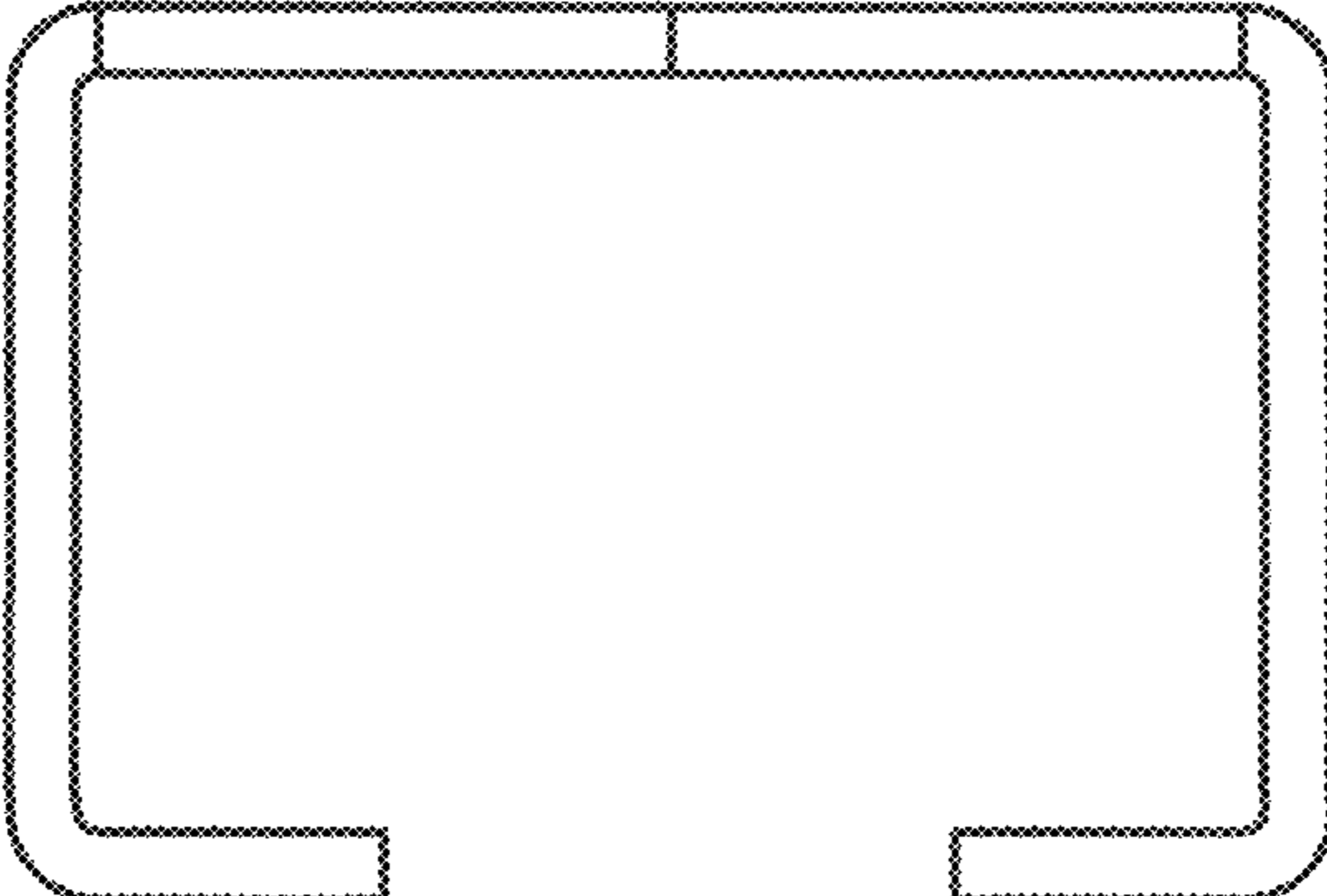
1.3



1.4



1.5



1.6

