



US00D989170S

(12) **United States Design Patent**
Bao

(10) **Patent No.:** **US D989,170 S**
(45) **Date of Patent:** **** Jun. 13, 2023**

(54) **LABEL PRINTER CASSETTE**

(71) Applicant: **Liling Bao**, Nanwan Township (CN)

(72) Inventor: **Liling Bao**, Nanwan Township (CN)

(**) Term: **15 Years**

(21) Appl. No.: **29/762,705**

(22) Filed: **Dec. 17, 2020**

(51) **LOC (14) Cl.** **18-02**

(52) **U.S. Cl.**
USPC **D18/56**

(58) **Field of Classification Search**

USPC D18/43, 56, 12, 14, 15, 16, 17, 18, 19,
D18/37, 38, 39, 40, 41, 45
CPC H04N 1/00204; H04N 1/00249; H04N
1/00278; G06K 15/12; G06K 15/14; B41J
3/00; B41J 3/28; B41J 3/445; B41J 3/46;
B41J 11/0045; B41J 2/3358; B41J 3/36;
B41J 3/382; B41J 2/1752; B41C 1/144

See application file for complete search history.

(56) **References Cited**

U.S. PATENT DOCUMENTS

D320,224 S *	9/1991	Matsuoka	D18/12
D361,342 S *	8/1995	Hattori	D18/56
D376,796 S *	12/1996	Hirasawa	D14/476
D378,101 S *	2/1997	Ito	D18/56
D435,589 S *	12/2000	Huss	D18/56
D647,127 S *	10/2011	Mita	D18/12
D656,541 S *	3/2012	Ko	D18/56
D681,727 S *	5/2013	Van Den Broecke	D18/56
D791,230 S *	7/2017	Nakai	D18/56
D858,628 S *	9/2019	Guo	D18/56
2022/0212480 A1 *	7/2022	Ukai	B41J 15/04
2022/0219468 A1 *	7/2022	Murayama	B41J 3/36
2022/0219472 A1 *	7/2022	Higashi	B41J 3/36

FOREIGN PATENT DOCUMENTS

CN	306329439	*	2/2021	
CN	113661070 A	*	11/2021 B41J 15/044

OTHER PUBLICATIONS

Amazon. Link: https://www.amazon.com/Anycolor-P-touch-Compatible-Brother-PT-70BM/dp/B01B482RYI/ref=sr_1_1?crd=3TFG9QKXVBIJB&keywords=B01B482RYI&qid=1662641957&prefix=b01b482ryi%2Caps%2C76&sr=8-1. Jan. 27, 2016. Anycolor Compatible Label Tape Replacement for Brother P Touch M Tape. (Year: 2016).*

Amazon. Link: https://www.amazon.com/Brother-Genuine-Standard-Resistant-Single-Pack/dp/B00000K135/ref=sr_1_3?crd=RU0VLKOUQ1AP&keywords=Brother+P+Touch+M+Tape&qid=1662642662&s=office-products&prefix=brother+p+touch+m+tape%2Coffice-products%2C109&sr=1-3. Jul. 7, 2004. Brother Genuine P-touch Tape. (Year: 2004).*

* cited by examiner

Primary Examiner — Lauren D McVey

(74) *Attorney, Agent, or Firm* — Olivo IP Law Group, P.C.; John W. Olivo, Jr.

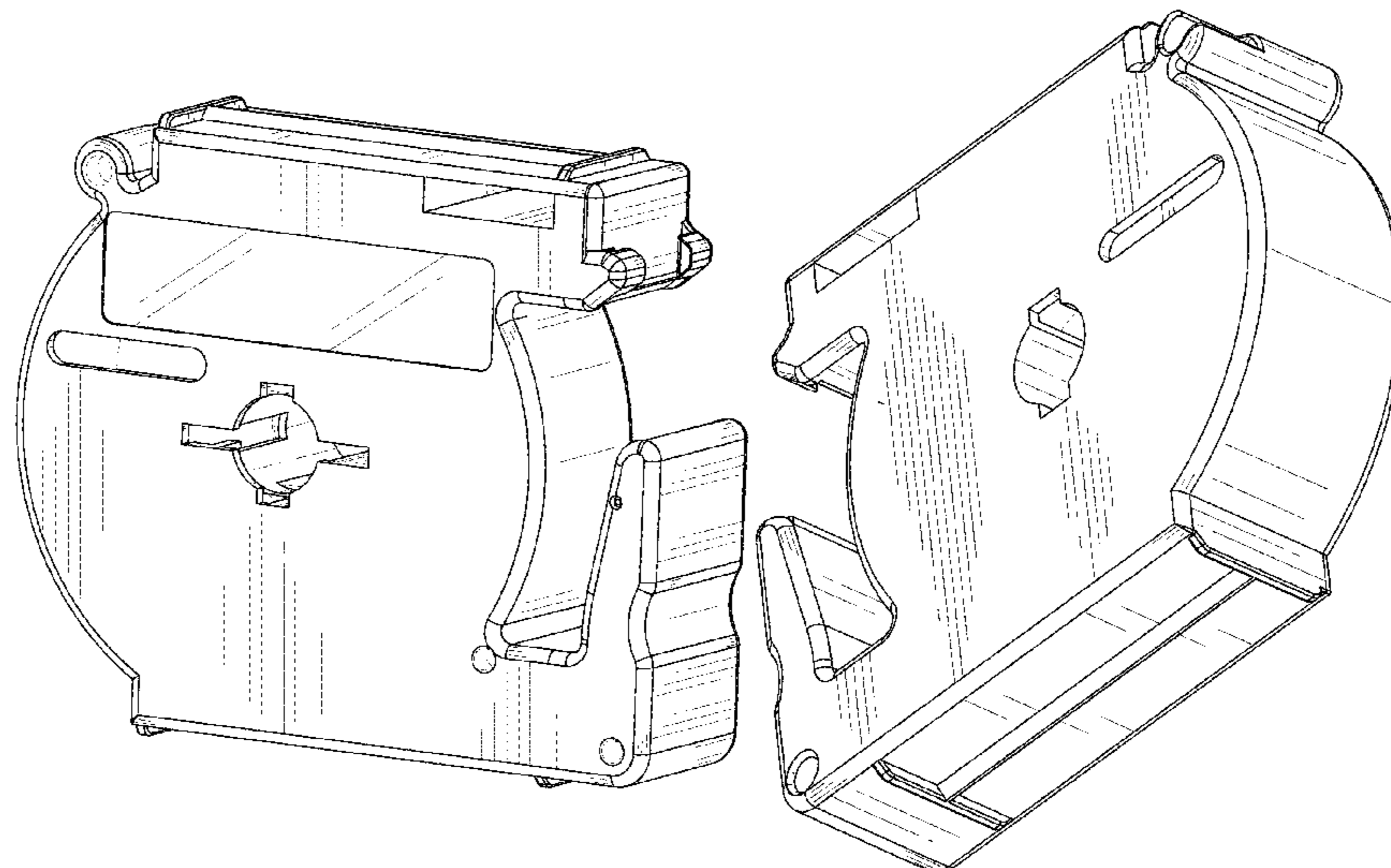
(57) **CLAIM**

The ornamental design for a label printer cassette, as shown and described.

DESCRIPTION

FIG. 1 is a front perspective view of a label printer cassette of the present disclosure;
FIG. 2 is a rear perspective view thereof;
FIG. 3 is a front elevational view thereof;
FIG. 4 is a rear elevational view thereof;
FIG. 5 is a left-side elevational view thereof;
FIG. 6 is a right-side elevational view thereof;
FIG. 7 is a top plan view thereof; and,
FIG. 8 is a bottom plan view thereof.
The broken lines shown in the drawings are for the purpose of illustrating portions of the label printer cassette that form no part of the claimed design.

1 Claim, 8 Drawing Sheets



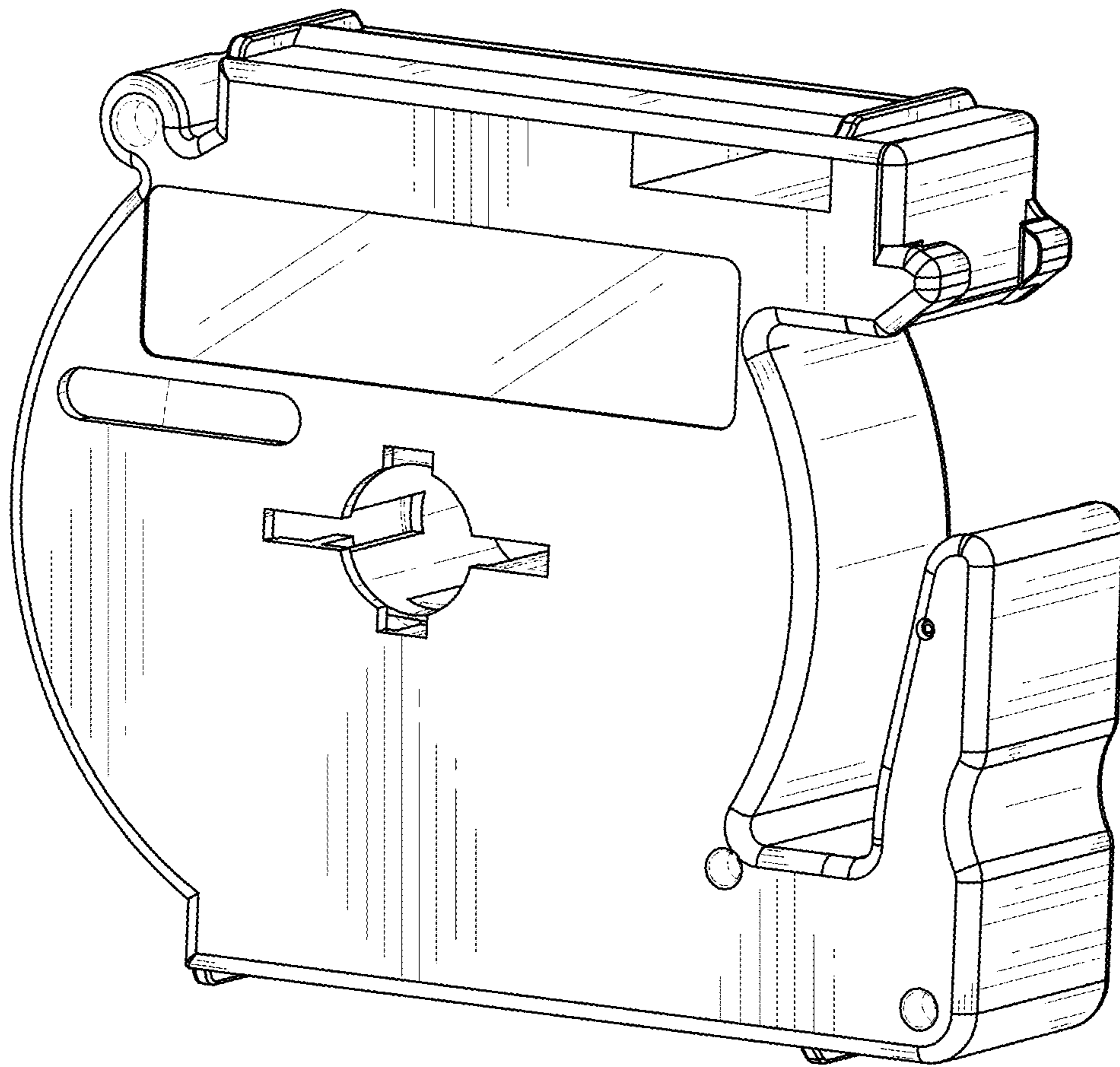


FIG. 1

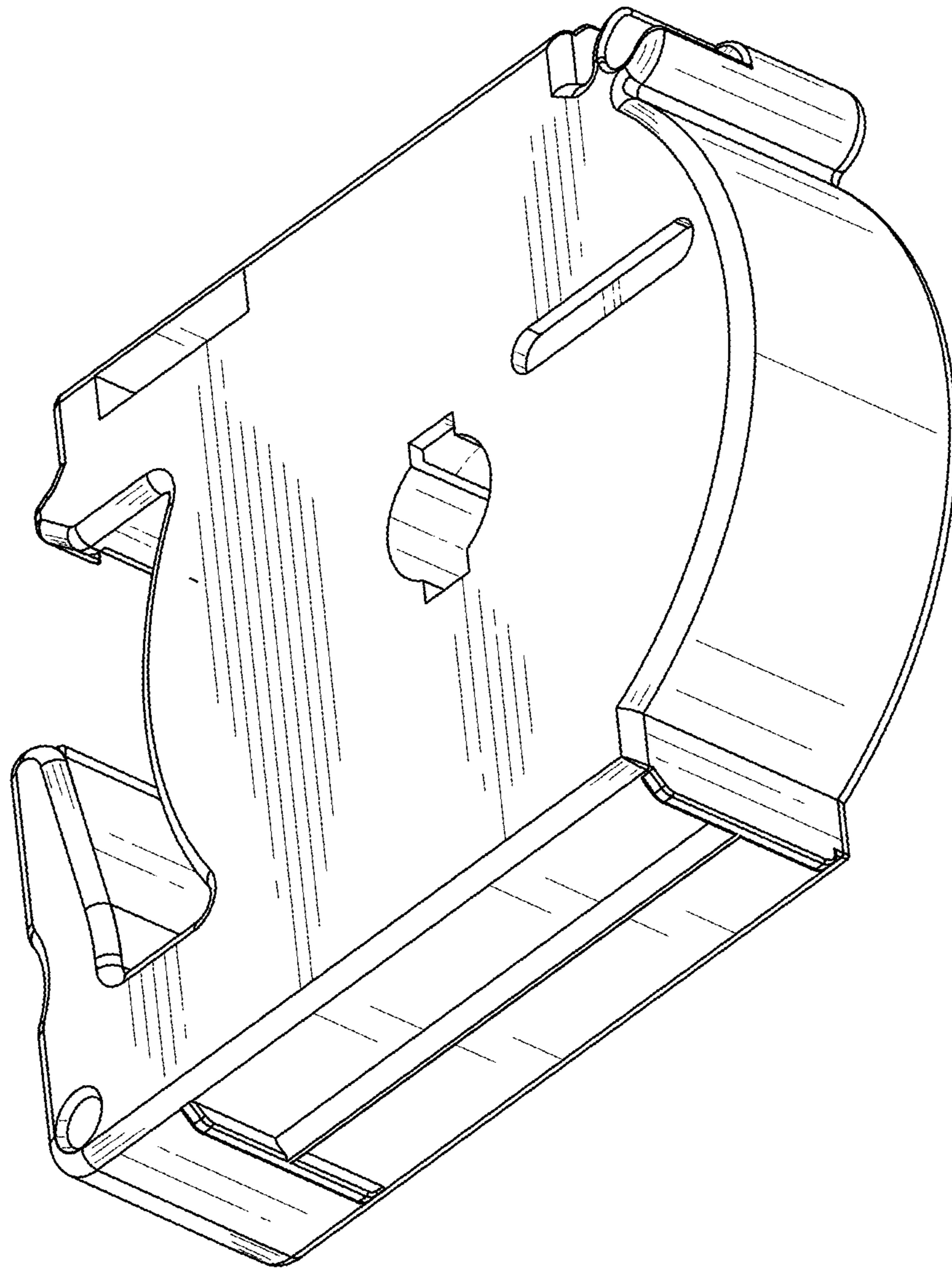


FIG. 2

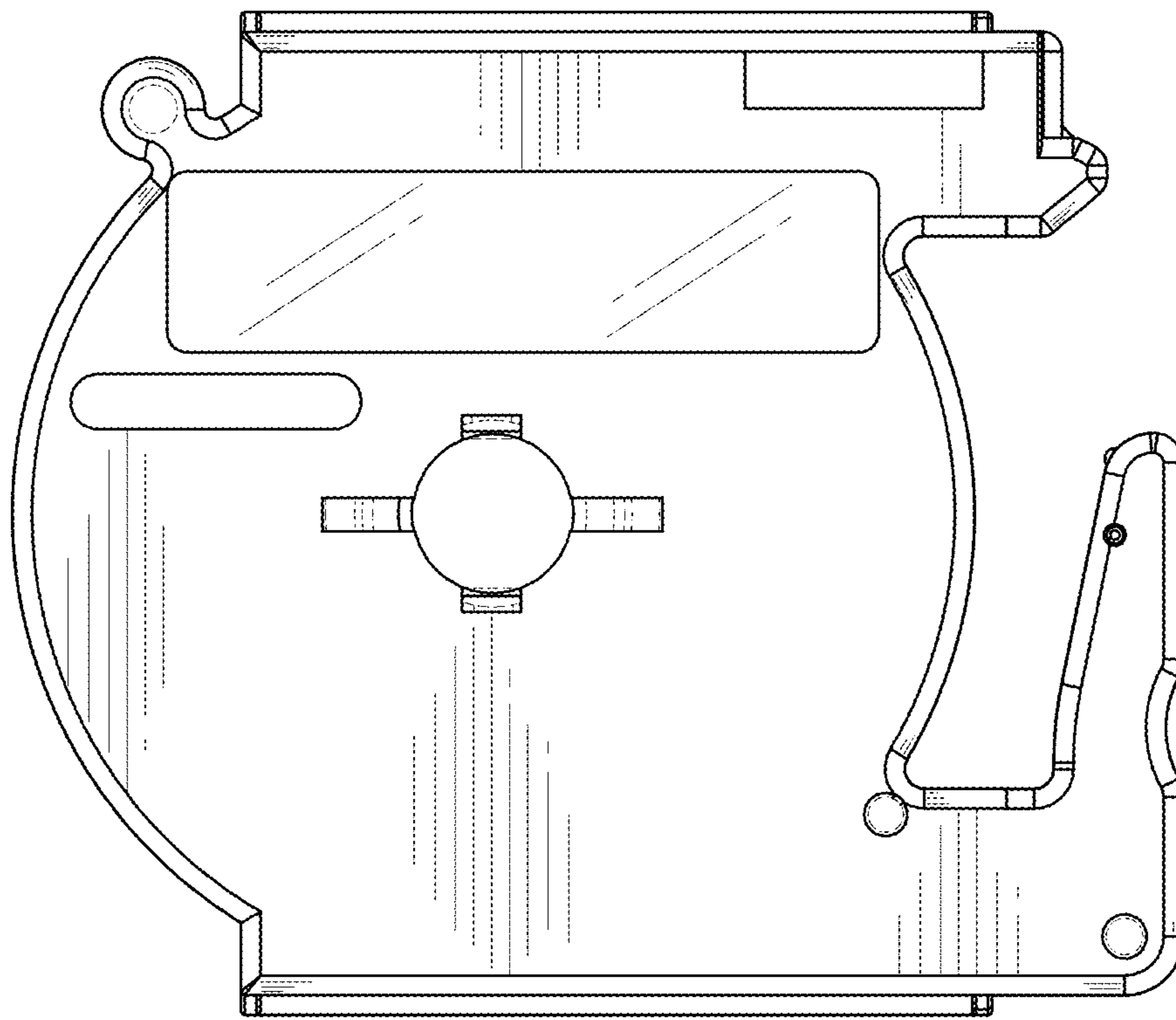


FIG. 3

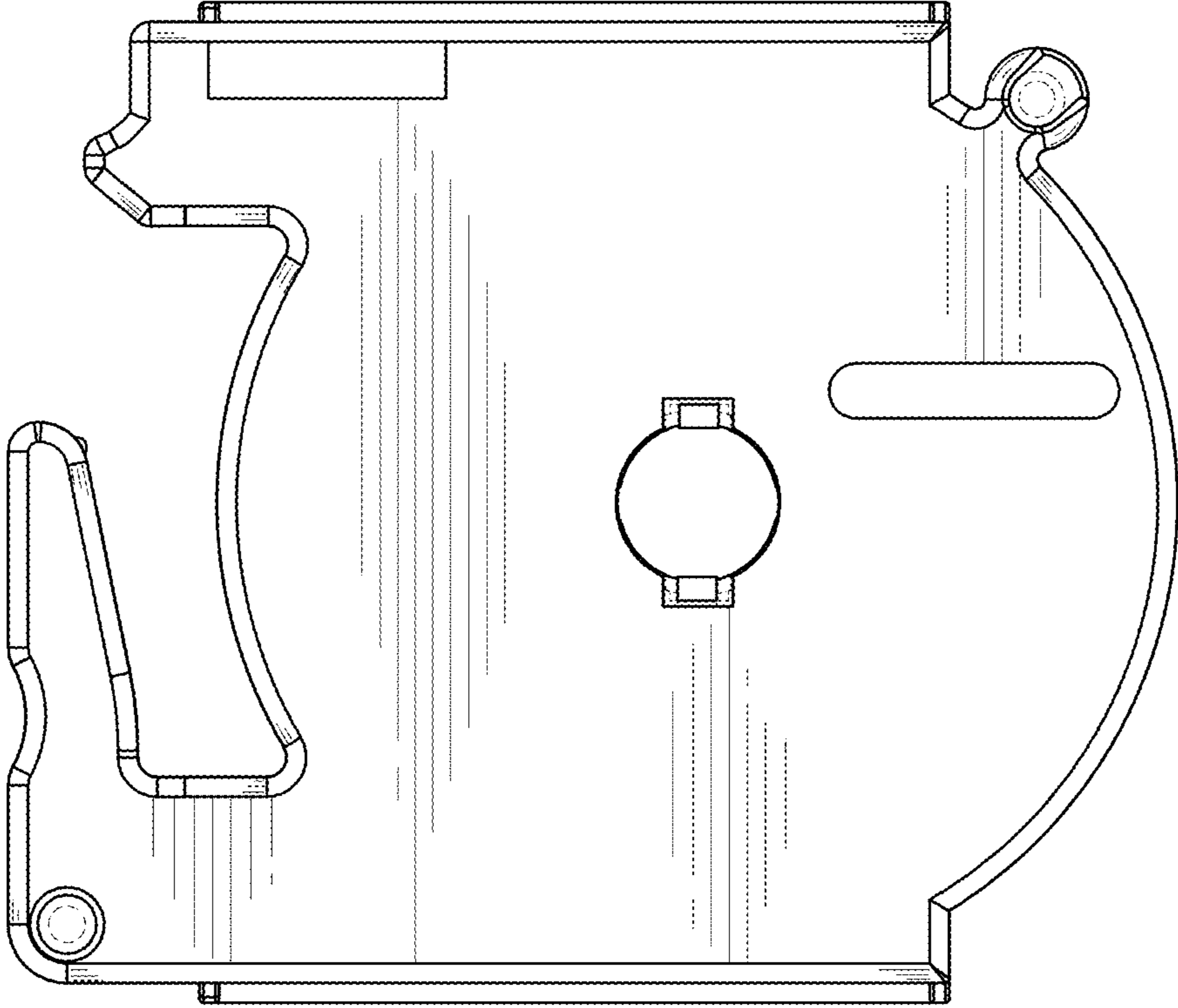


FIG. 4

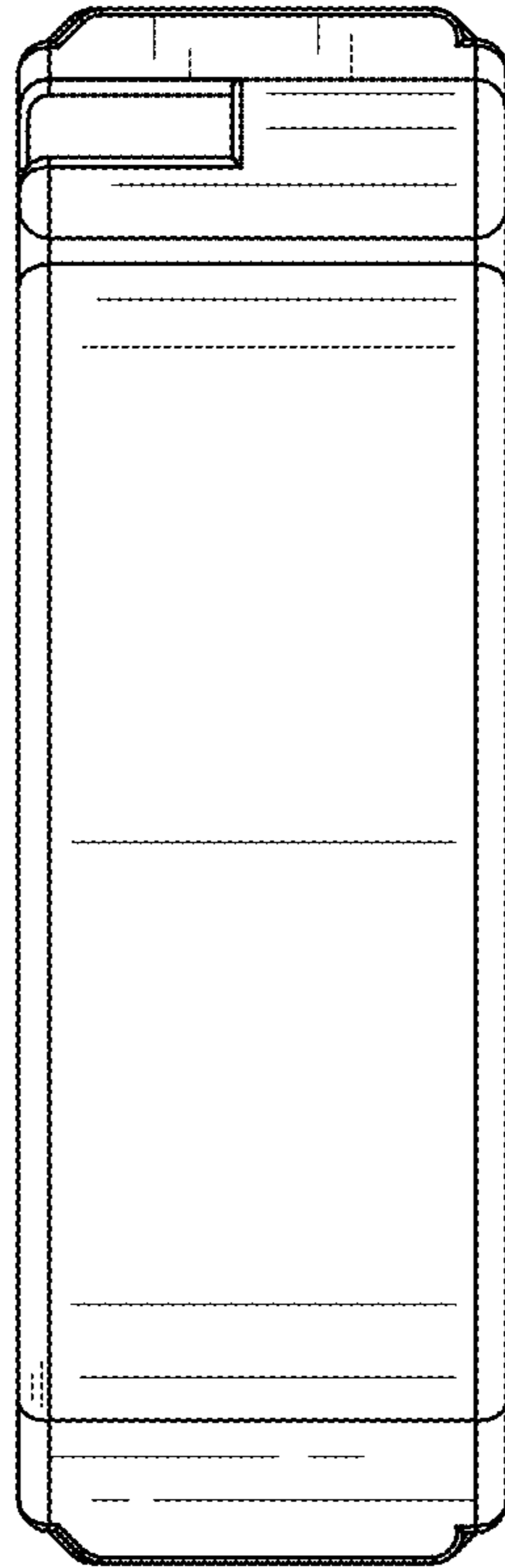


FIG. 5

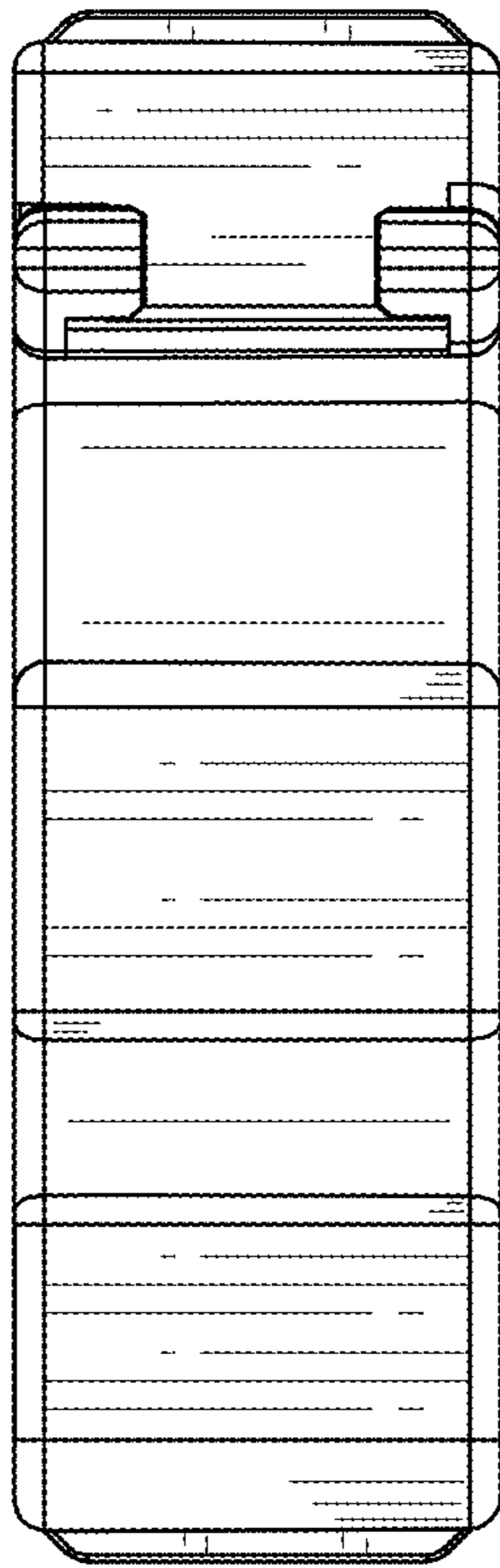


FIG. 6

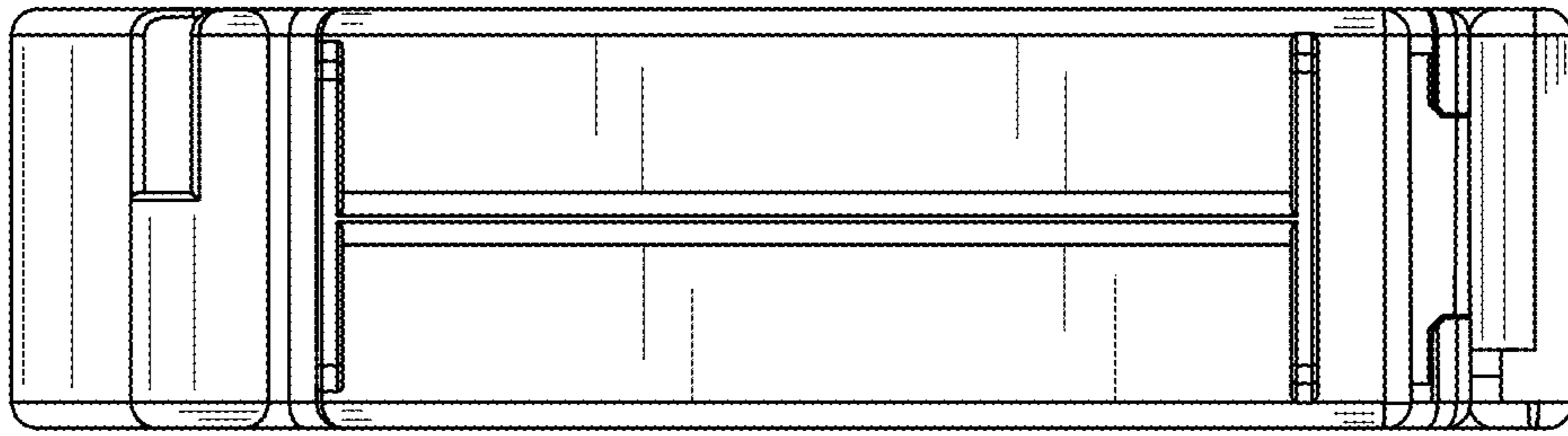


FIG. 7

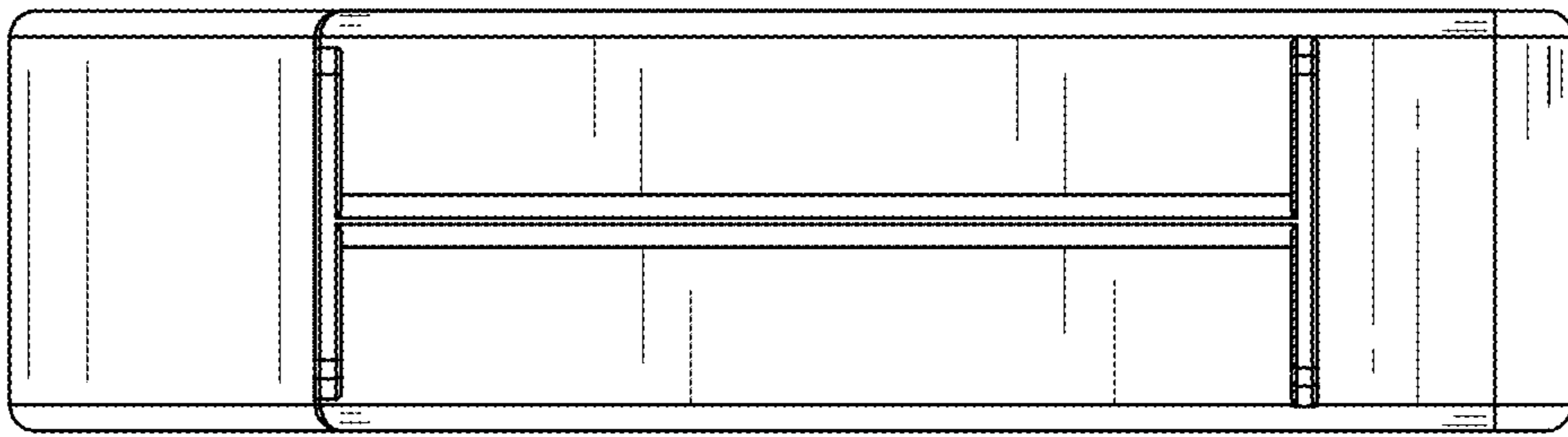


FIG. 8