



US00D989168S

(12) **United States Design Patent** (10) **Patent No.:** **US D989,168 S**
Liu (45) **Date of Patent:** **** Jun. 13, 2023**

(54) **SMART LABEL PRINTER**

OTHER PUBLICATIONS

(71) Applicant: **Wuhan Jingchen Intelligent Identification Technology Co. Ltd.**,
Wuhan (CN)

Amazon. Link: <https://www.amazon.com/dp/B09ZXG1VPJ/>. May 10, 2022. Jagens Label Maker Machine with Tape. (Year: 2022).*
(Continued)

(72) Inventor: **Xiong Liu**, Hubei (CN)

Primary Examiner — Lauren D McVey

(73) Assignee: **Wuhan Jingchen Intelligent Identification Technology Co. Ltd.**,
Wuhan (CN)

(74) *Attorney, Agent, or Firm* — ScienBiziP, P.C.

(**) Term: **15 Years**

(57) **CLAIM**

The ornamental design for a smart label printer, as shown and described.

(21) Appl. No.: **29/798,374**

(22) Filed: **Jul. 7, 2021**

DESCRIPTION

(51) **LOC (14) Cl.** **14-02**

(52) **U.S. Cl.**

USPC **D18/50**; D18/19

(58) **Field of Classification Search**

USPC D18/12, 14–19, 36–41, 50, 45, 54, 55,
D18/53, 56; D19/65, 66, 67, 68, 69, 70,
D19/71; D14/301, 307, 121

CPC H04N 1/00204; H04N 1/00249; H04N
1/00278; G06K 15/12; G06K 15/14; B41J
3/00; B41J 3/28; B41J 3/445; B41J 3/46;
B41J 2/3358; B41J 3/36; B41J 3/382;
B41J 3/39; B41J 11/0045

See application file for complete search history.

FIG. 1 is a front, right, and top perspective view of a smart label printer, showing my new design in an open position. FIG. 2 is a rear, left, and bottom perspective view thereof. FIG. 3 is a front elevation view thereof. FIG. 4 is a rear elevation view thereof. FIG. 5 is a left side elevation view thereof. FIG. 6 is a right side elevation view thereof. FIG. 7 is a top plan view thereof. FIG. 8 is a bottom plan view thereof. FIG. 9 is a perspective view of the smart label printer of FIG. 1 in a closed position. FIG. 10 is a partial enlarged view of the area labeled 10 in FIG. 1. FIG. 11 is a partial enlarged view of the area labeled 11 in FIG. 1; and, FIG. 12 is a partial enlarged view of the area labeled 12 in FIG. 1.

(56) **References Cited**

U.S. PATENT DOCUMENTS

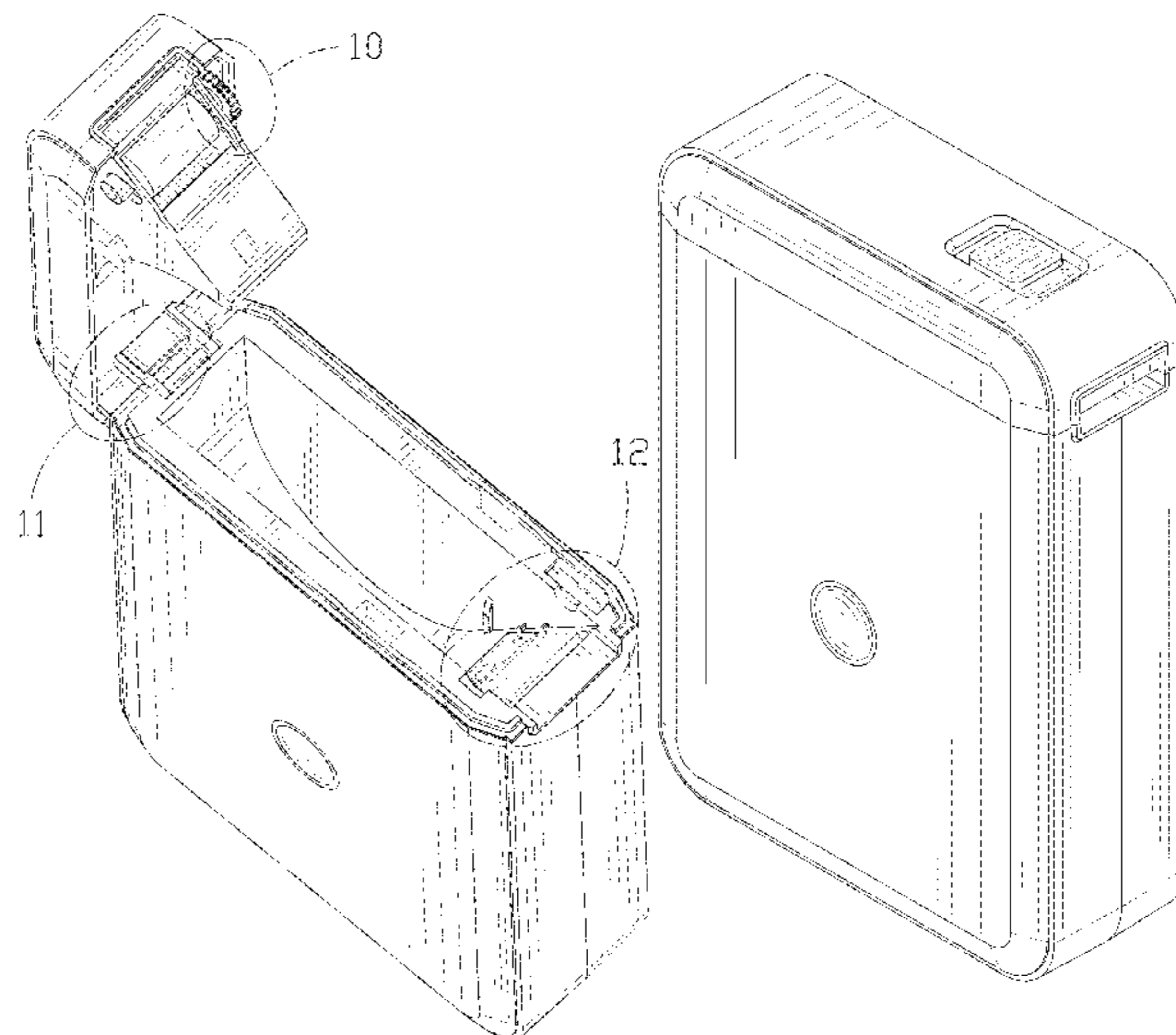
D322,982 S * 1/1992 Tashiro D18/54
D519,549 S * 4/2006 Tanio D18/50
(Continued)

The broken lines shown in the drawings are included for the purpose of illustrating portions of the smart label printer that form no part of the claimed design. The dot-dash broken lines in FIGS. 1, 10, 11 and 12 depict the boundaries of the enlargements that form no part of the claimed design.

FOREIGN PATENT DOCUMENTS

CN 305982116 * 8/2020
CN 111845115 A * 10/2020 B41J 29/00
(Continued)

1 Claim, 12 Drawing Sheets



(56)

References Cited

U.S. PATENT DOCUMENTS

D522,567 S * 6/2006 Hwang D18/50
D535,324 S * 1/2007 Park D18/50
D556,253 S * 11/2007 Hong D18/50
D594,504 S * 6/2009 Hattori D18/19
D641,394 S * 7/2011 Inada D18/50
D667,050 S * 9/2012 Takeuchi D18/50
D740,358 S * 10/2015 Kang D18/14
D751,141 S * 3/2016 Minamide D18/50
D786,342 S * 5/2017 Oguchi D18/50
D893,594 S * 8/2020 Sun D18/19
D893,595 S * 8/2020 Sun D18/19

FOREIGN PATENT DOCUMENTS

CN 111845116 A * 10/2020 B41J 13/12
CN 306705009 * 7/2021
CN 306811371 * 9/2021

OTHER PUBLICATIONS

Amazon. Link: <https://www.amazon.com/dp/B09XHNBVHW/>. Apr. 8, 2022. Niimbot B18 Portable Label Maker. (Year: 2022).*

* cited by examiner

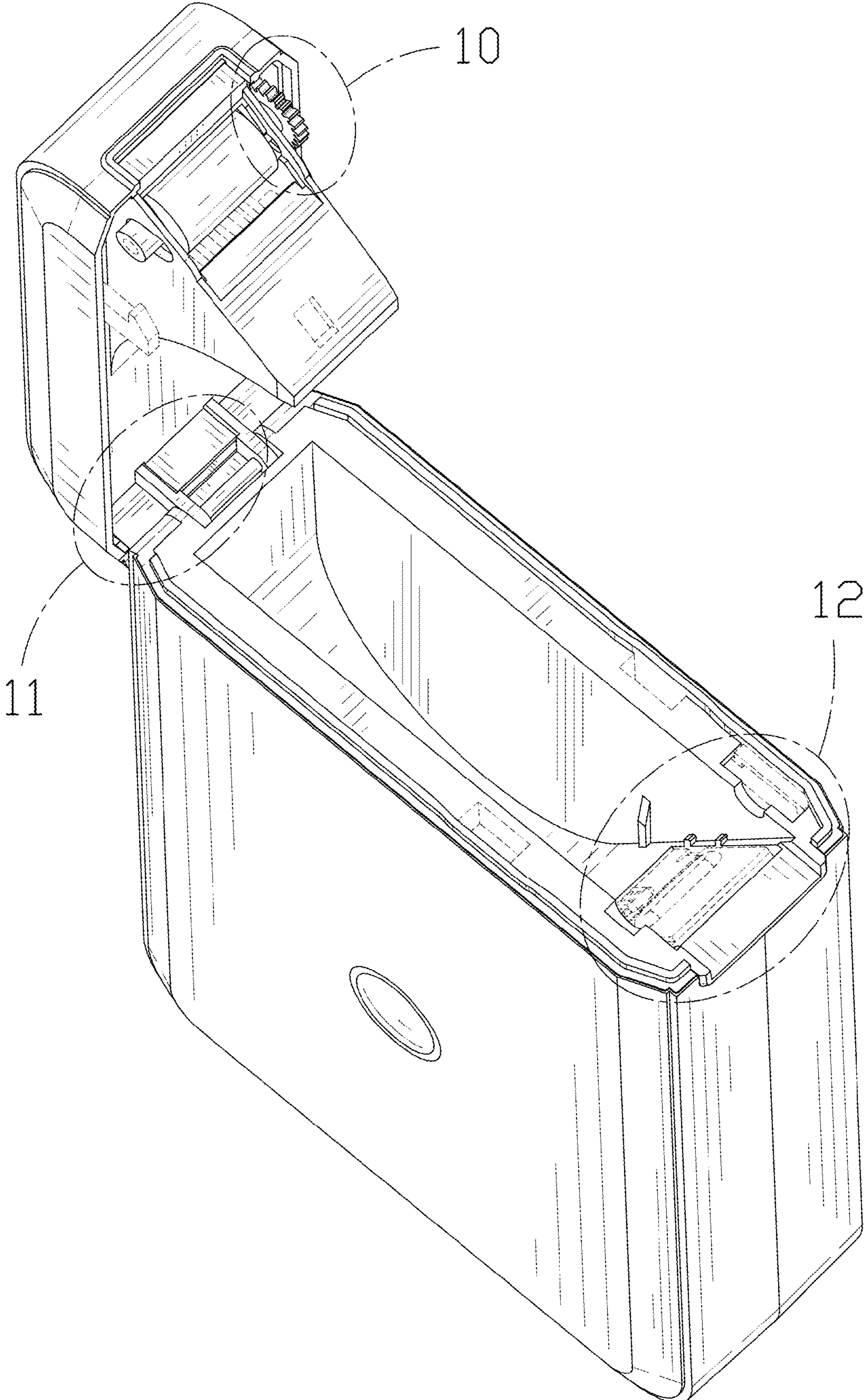


FIG. 1

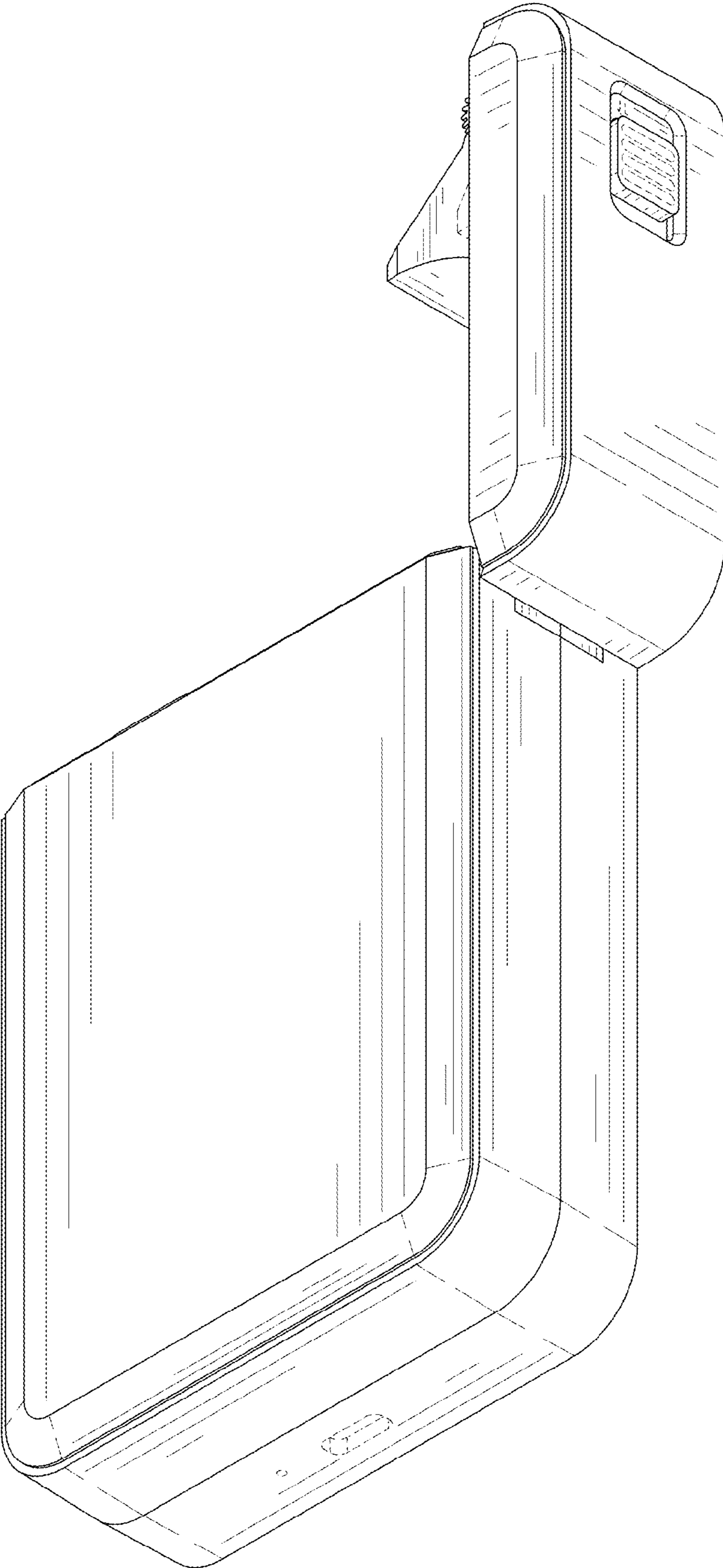


FIG. 2

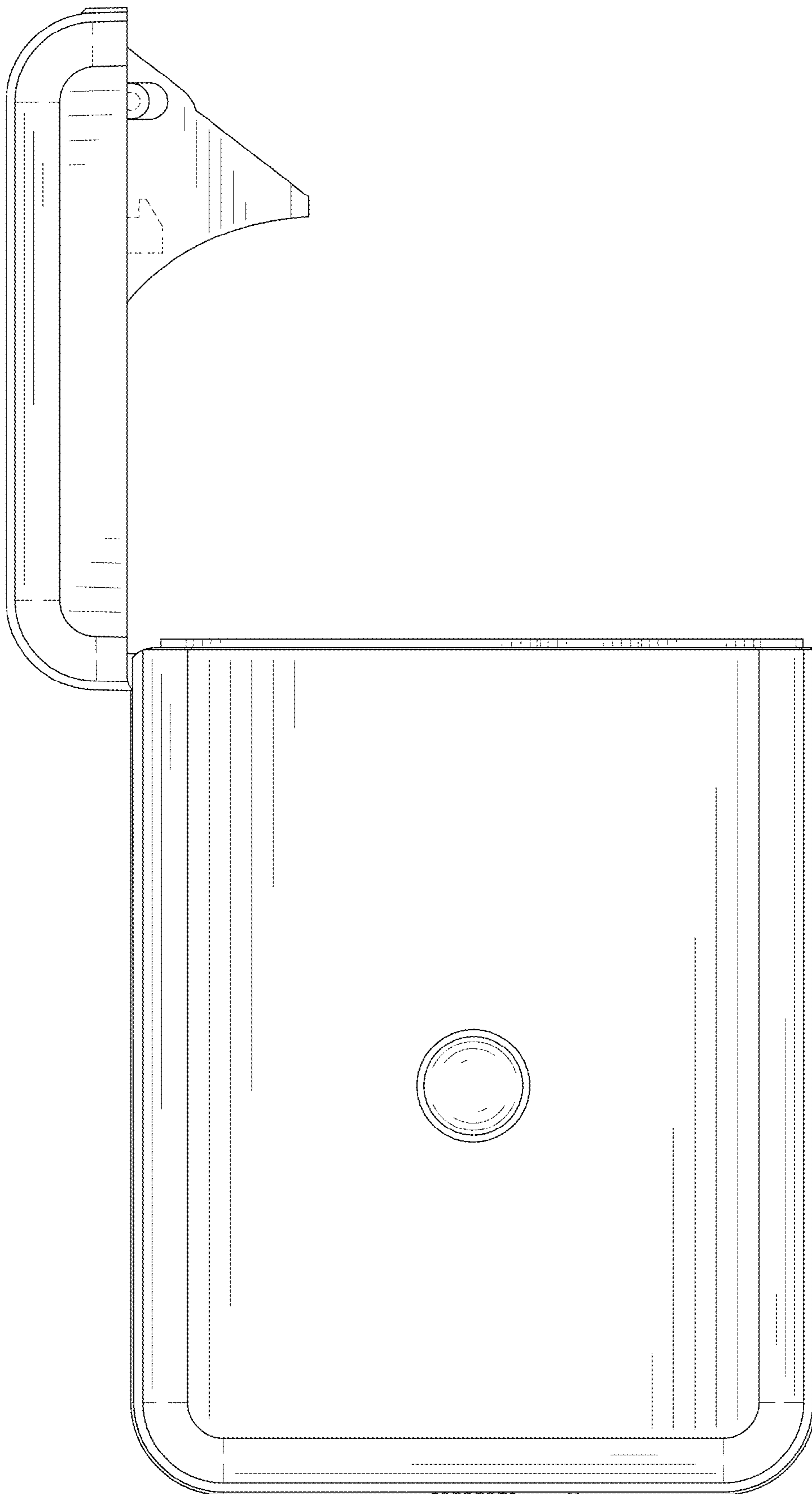


FIG. 3

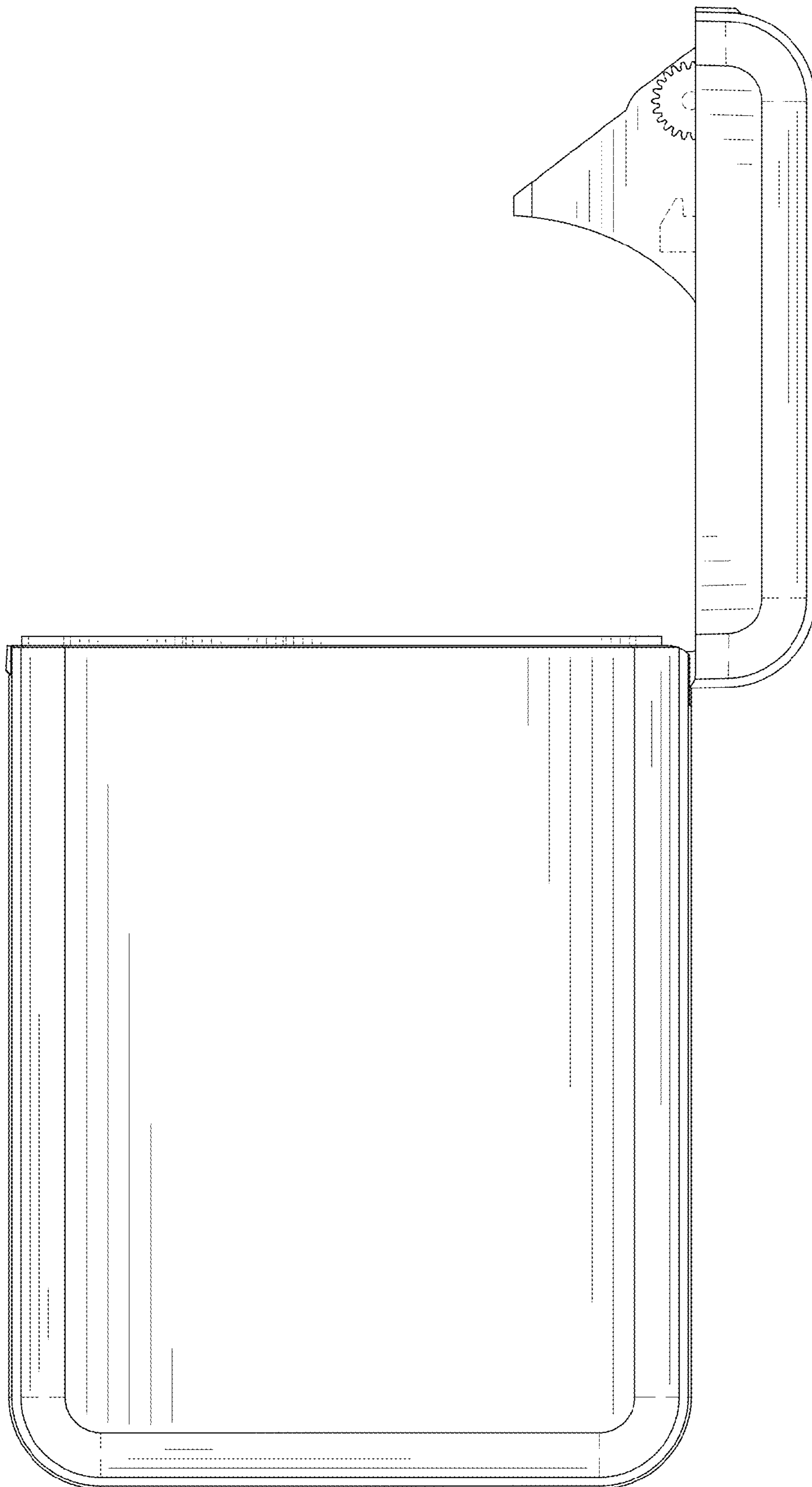


FIG. 4

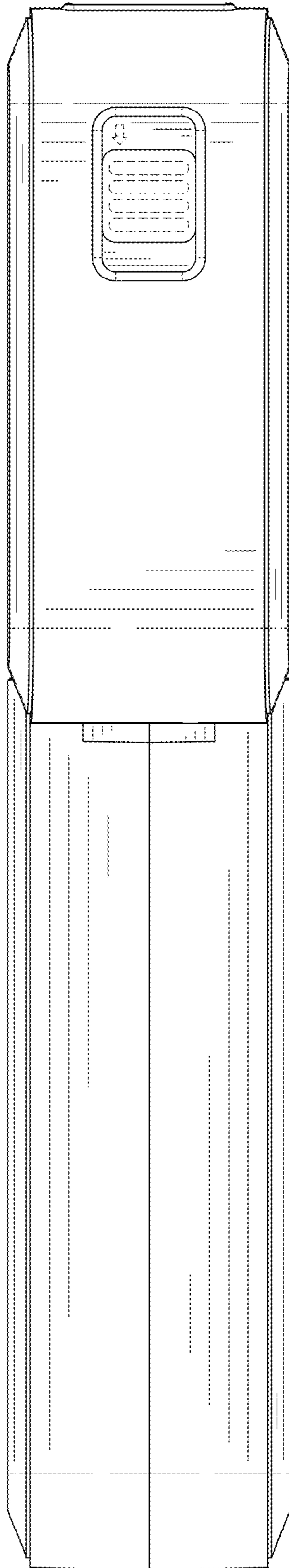


FIG. 5

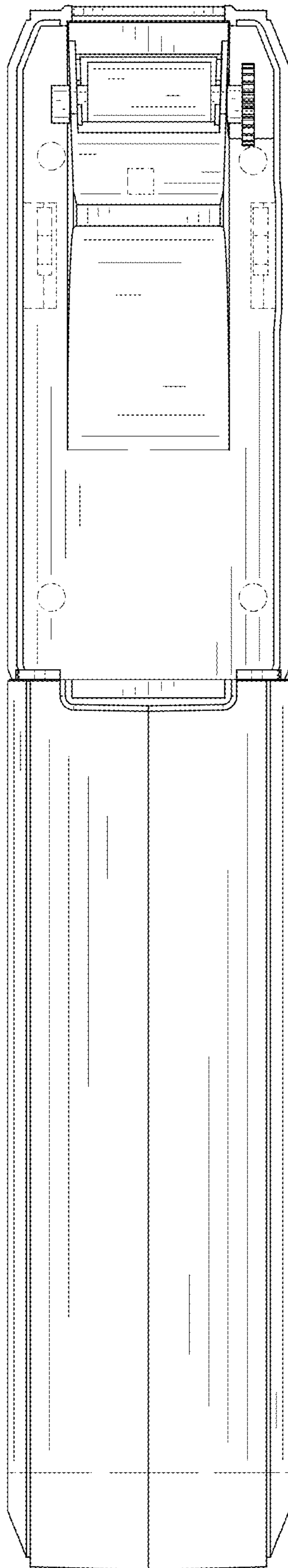


FIG. 6

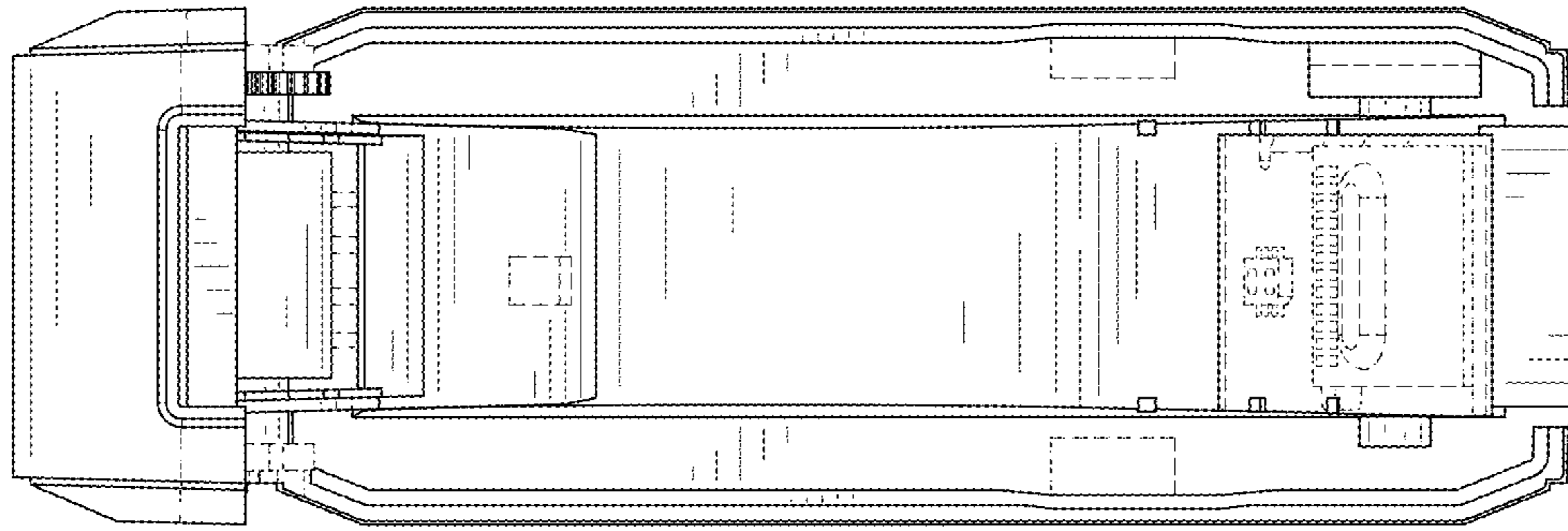


FIG. 7

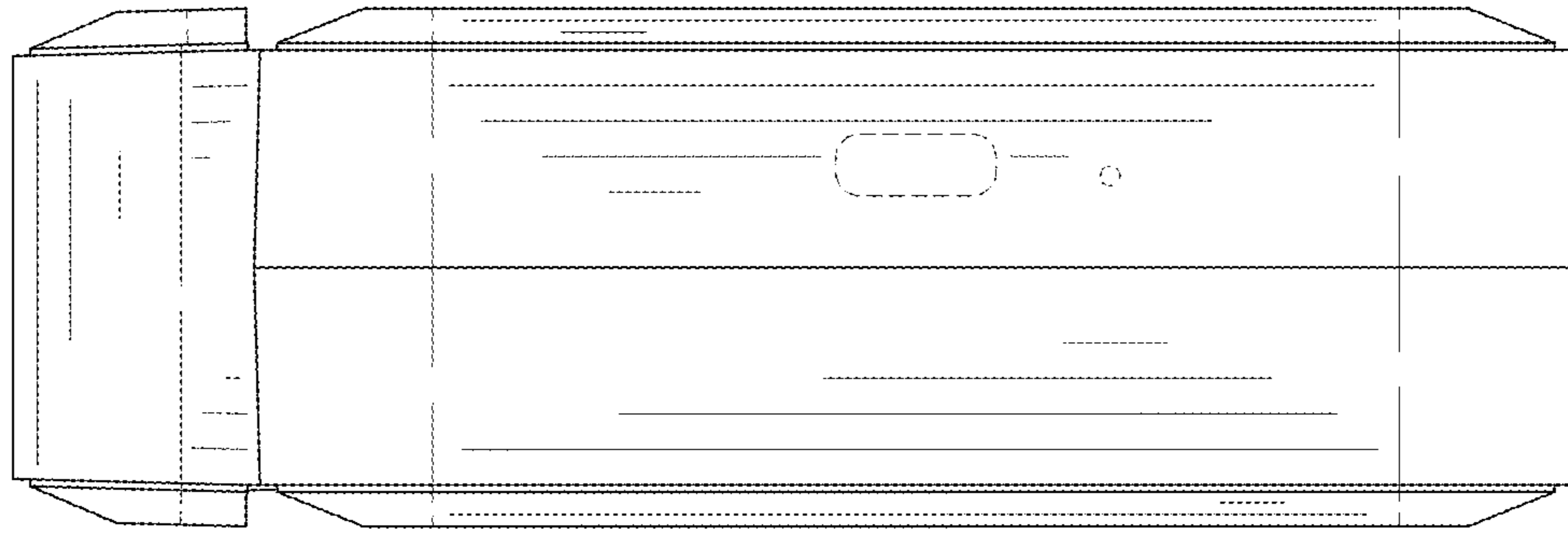


FIG. 8

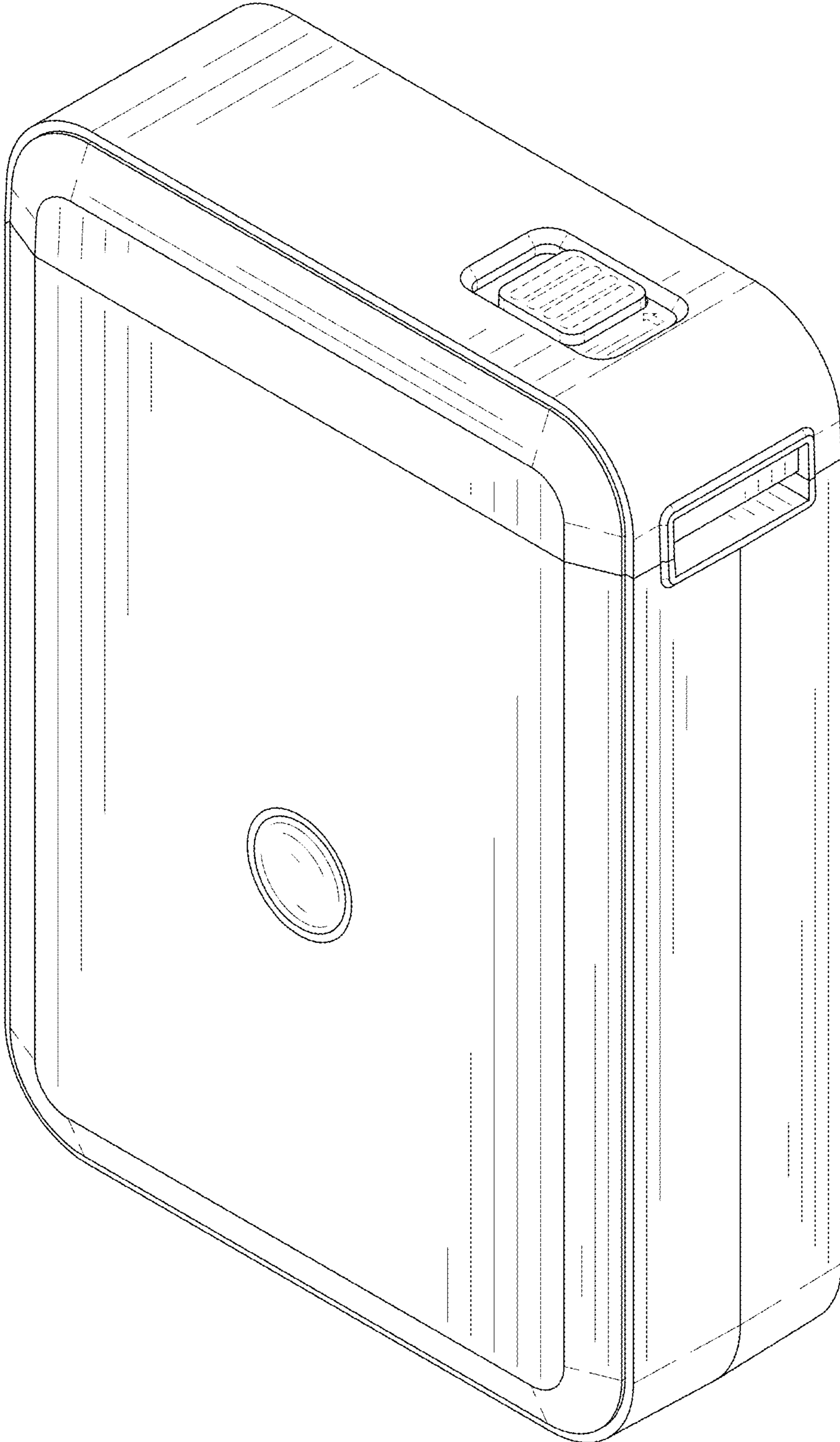


FIG. 9

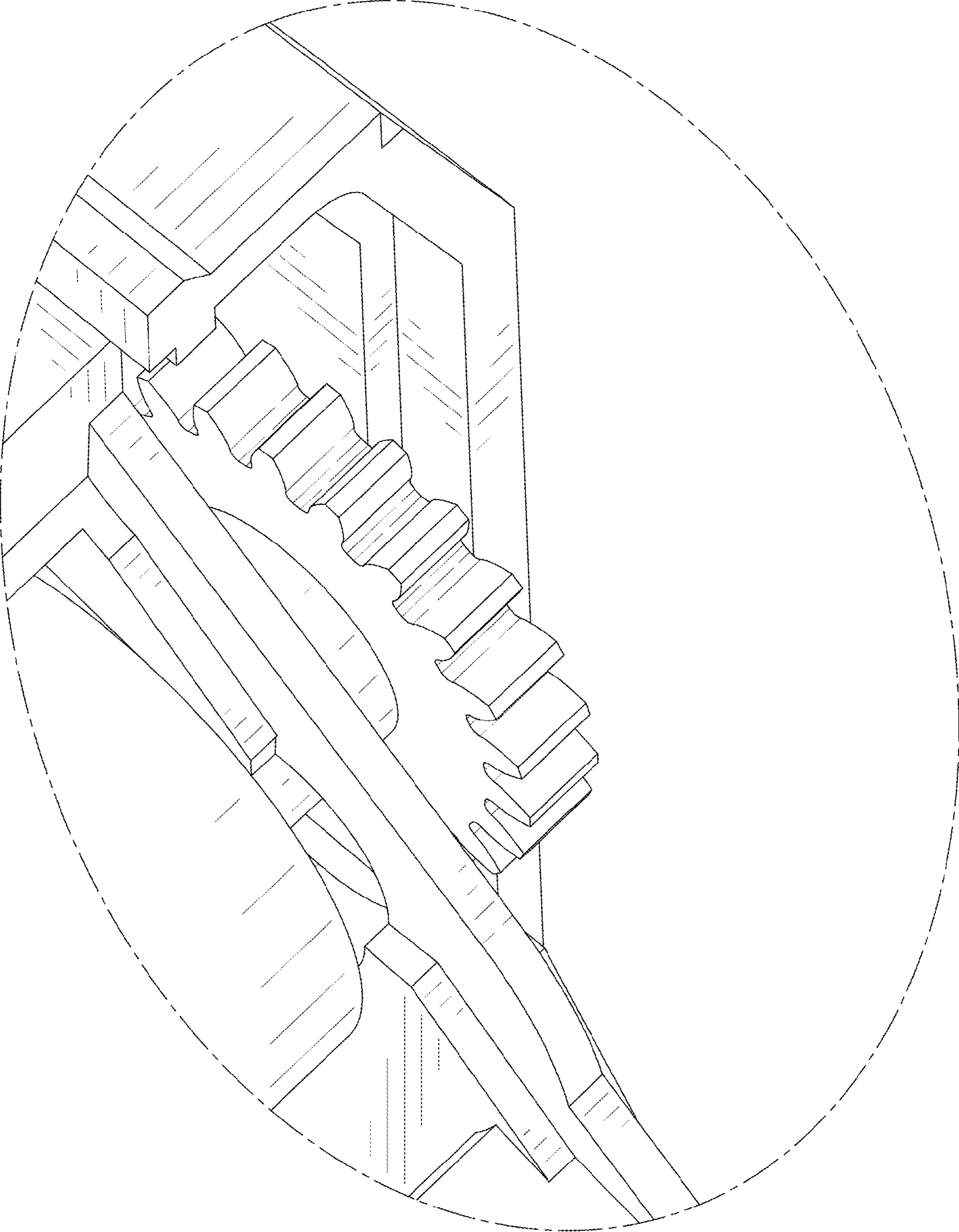


FIG. 10

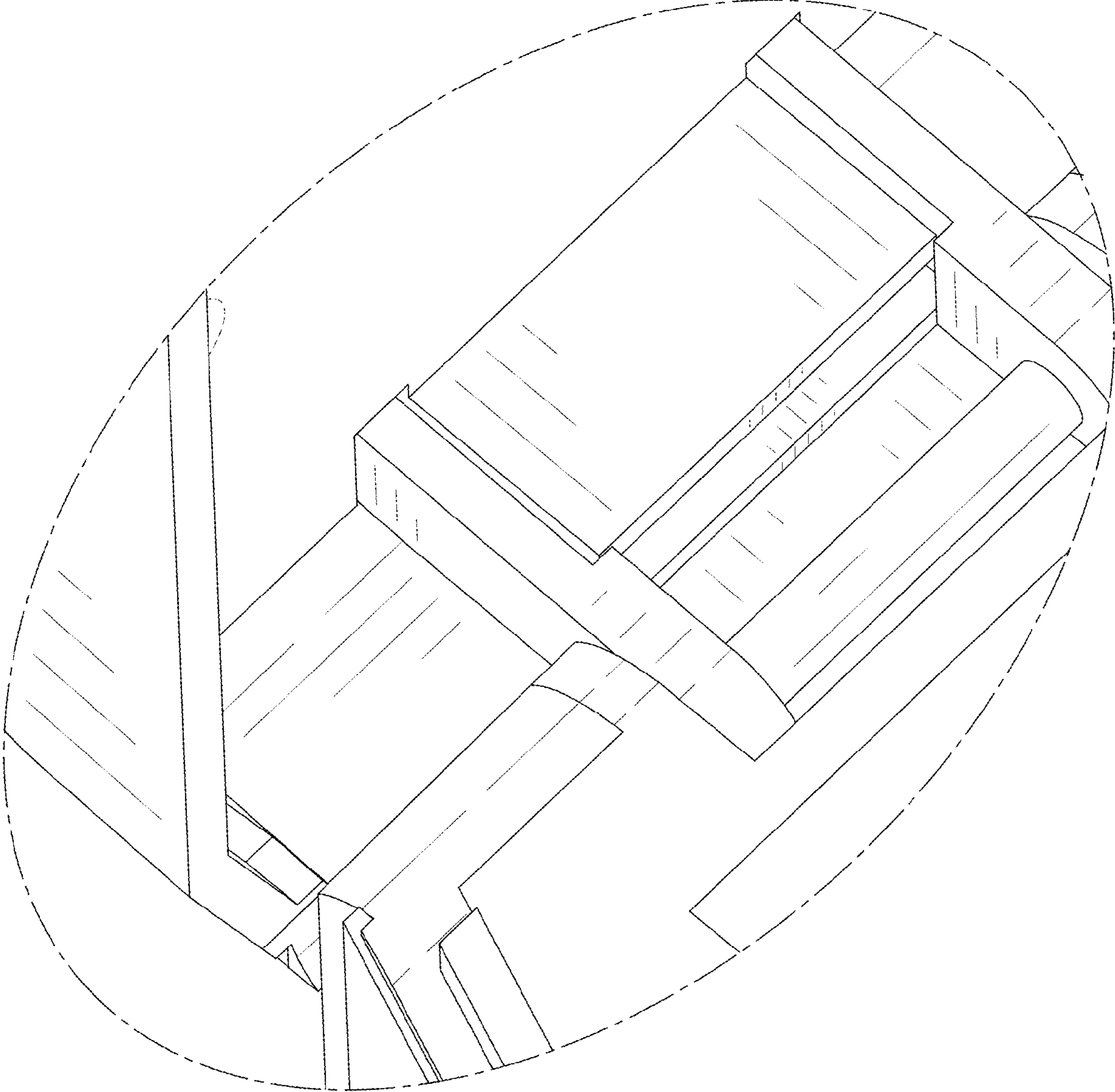


FIG. 11

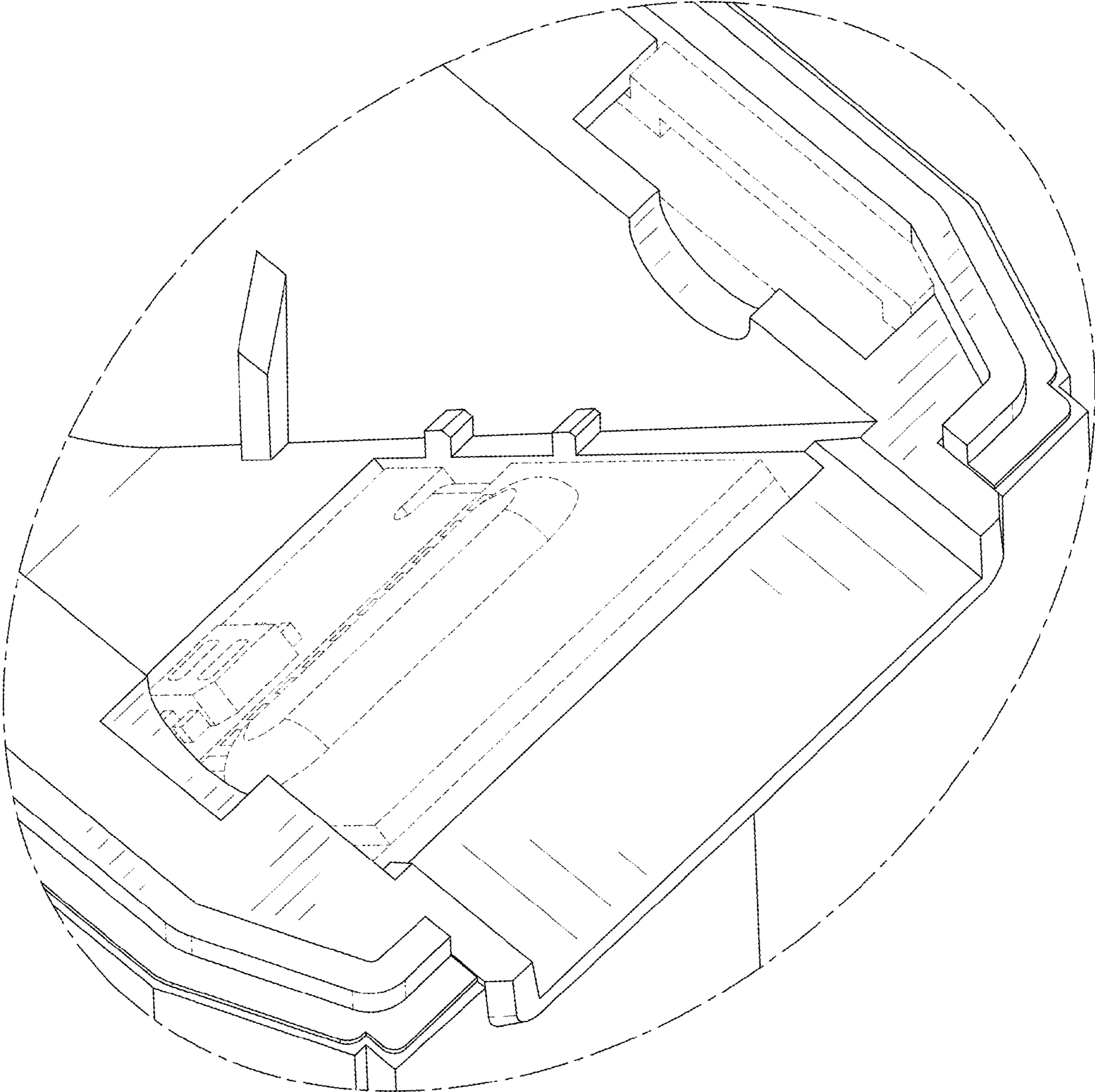


FIG. 12