



US00D989167S

(12) **United States Design Patent**
Rodarte

(10) **Patent No.:** **US D989,167 S**

(45) **Date of Patent:** **** Jun. 13, 2023**

(54) **TEMPLE-LESS GLASSES WITH
REMOVABLE LENSES**

(71) Applicant: **Michael Renee Rodarte**, Garden Grove, CA (US)

(72) Inventor: **Michael Renee Rodarte**, Garden Grove, CA (US)

(**) Term: **15 Years**

(21) Appl. No.: **29/848,710**

(22) Filed: **Aug. 4, 2022**

(51) **LOC (14) Cl.** **16-06**

(52) **U.S. Cl.**
USPC **D16/330**; D16/101

(58) **Field of Classification Search**
USPC D14/372; D16/100, 101, 300-342;
D21/658-661; D24/110.2, 120, 160;
D29/104-110
CPC ... G02C 7/02; G02C 1/10; G02C 3/00; G02C
5/124; G02C 7/022; G02C 1/00; G02C
1/02; G02C 1/023; G02C 5/00; G02C
5/001; G02C 5/02; G02C 5/04; G02C
5/10; G02C 5/12; G02C 5/146; G02C
5/22; G02C 7/061; G02C 7/063; G02C
7/10; G02C 2200/02; G02C 2200/04;
G02C

(Continued)

(56) **References Cited**

U.S. PATENT DOCUMENTS

1,048,191 A * 12/1912 Maurice A41D 13/11
D16/330
2,197,973 A * 4/1940 Everett G02C 11/00
D16/330

(Continued)

FOREIGN PATENT DOCUMENTS

WO D036280-002 * 6/1996
WO D219458-002 * 3/2022

OTHER PUBLICATIONS

YJYDD Welder Welding Goggles, product availability unknown [online], no video/pictured review [online], [site visited Mar. 8, 2023]; URL:<https://www.amazon.com/YJYDD-Welding-Goggles-Steampunk-Industrial/dp/B098LFKLDV> (Year: 2023).*

(Continued)

Primary Examiner — Bao-Yen T Nguyen
Assistant Examiner — Loryn K. LeBlanc

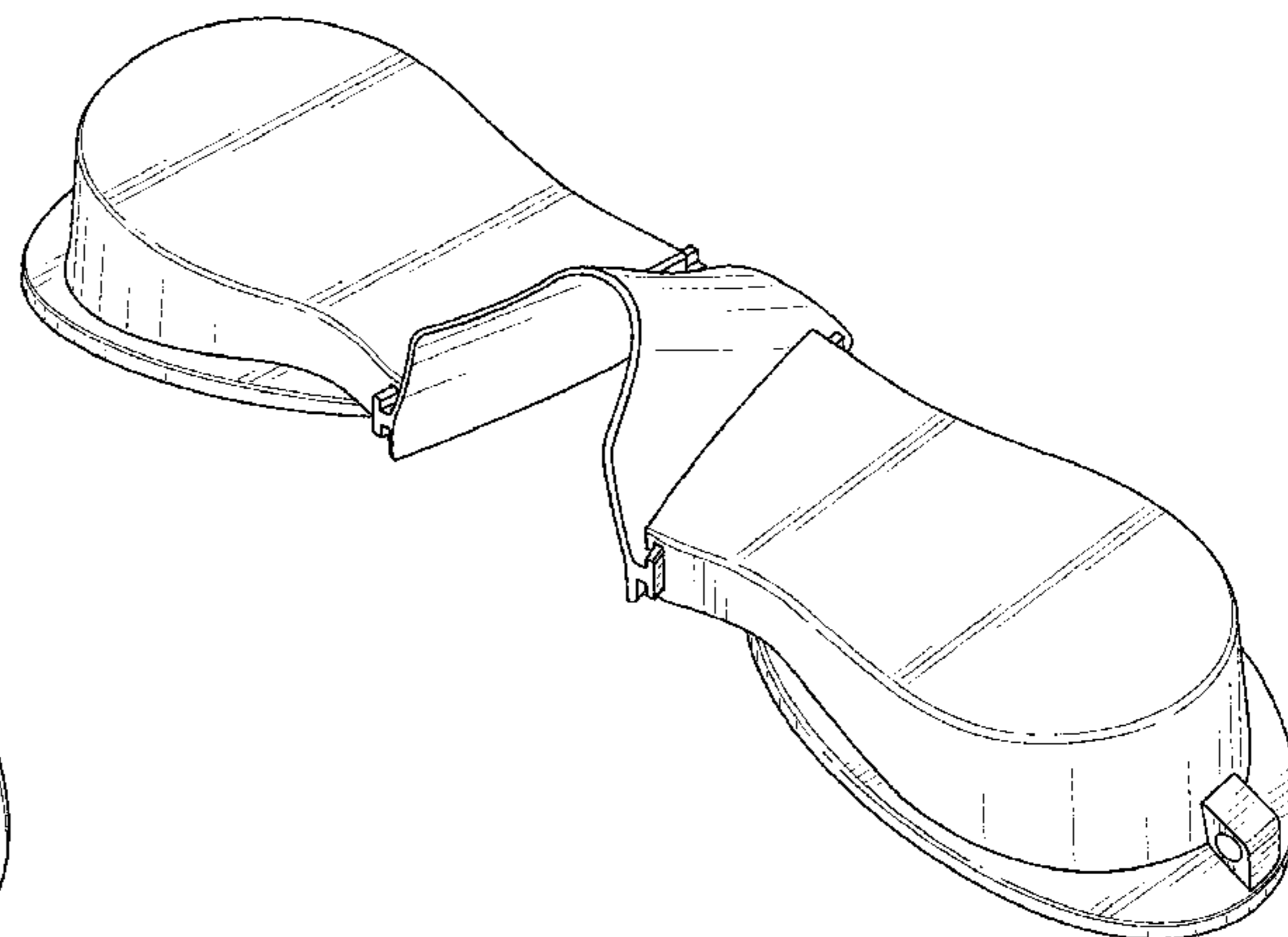
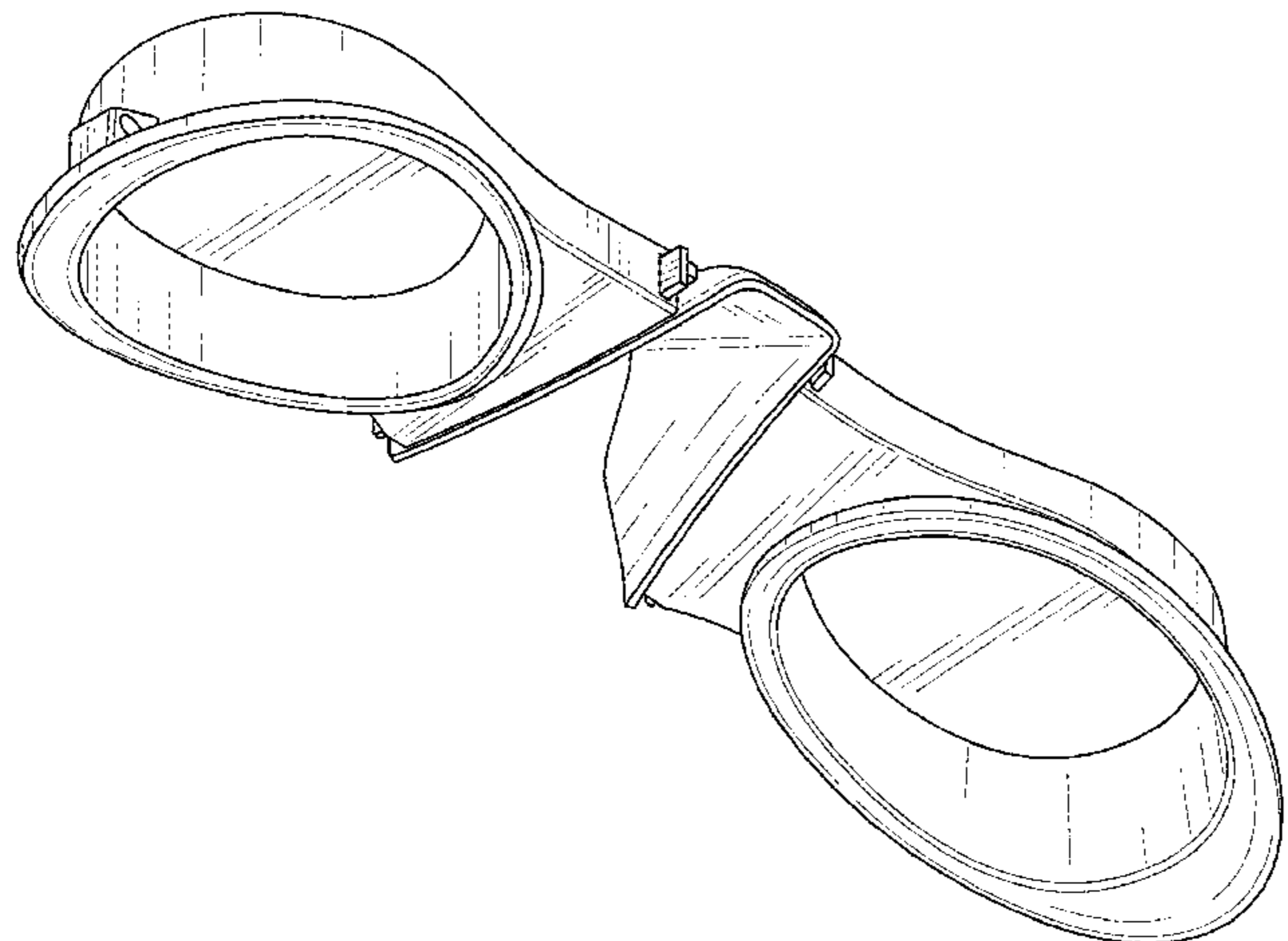
(57) **CLAIM**

The ornamental design for temple-less glasses with removable lenses, as shown and described.

DESCRIPTION

FIG. 1 is a top perspective view of a temple-less glasses with removable lenses;
FIG. 2 is a bottom perspective view thereof;
FIG. 3 is a left side view thereof;
FIG. 4 is a right side view thereof;
FIG. 5 is a front-top perspective view thereof;
FIG. 6 is a rear-top perspective view thereof;
FIG. 7 is a front-bottom view thereof;
FIG. 8 is rear-bottom perspective view thereof;
FIG. 9 is a top perspective view thereof with a lens removed;
FIG. 10 is a bottom perspective view thereof with a lens removed;
FIG. 11 is a left side view thereof;
FIG. 12 is a top-front view thereof;
FIG. 13 is a front-top perspective view thereof with a lens removed;
FIG. 14 is a rear-top perspective view thereof with a lens removed;
FIG. 15 is a front-bottom view thereof with a lens removed;
and,
FIG. 16 is rear-bottom perspective view thereof with a lens removed.

1 Claim, 16 Drawing Sheets



(58) **Field of Classification Search**

CPC 2200/06; G02C 2200/08; G02C 2200/18;
 G02C 2200/20; B29D 11/00; B29D
 11/00009; B29D 11/00028; B29D
 11/00019; A61F 2009/021; A61F 9/025;
 A61F 9/045; A61F 9/02; A63B 33/002;
 A63B 33/004; A63B 33/006; A63B
 33/008

See application file for complete search history.

5,949,514 A	9/1999	Wargon	
D481,748 S *	11/2003	Magidson	D16/101
D491,976 S *	6/2004	Teng	D16/311
D512,739 S *	12/2005	Teng	D16/315
7,883,205 B2	2/2011	Begg	
9,642,749 B2	5/2017	McNeal	
D793,085 S *	8/2017	Alex	A45C 11/04 D3/265
2004/0218140 A1	11/2004	Bleau	

(56)

References Cited

U.S. PATENT DOCUMENTS

2,233,698 A *	3/1941	Girouard	G02C 11/00 D16/330
D158,020 S *	4/1950	Spier	D29/108
D165,865 S *	2/1952	Potts	D16/303
D211,966 S *	8/1968	Hayashi	D16/314
D220,743 S *	5/1971	Neward	D16/303
5,467,148 A	11/1995	Conway	
D384,687 S *	10/1997	DeWitt	D16/329

OTHER PUBLICATIONS

HDM, product availability Oct. 17, 2016 [online], picture review
 Mar. 16, 2018 [online], [site visited Mar. 8, 2023]:URL:<https://www.amazon.com/gp/product/B0033B9FV8/ref=sw_img_1?smid=A3RNF4YAN0UM9V&psc=1> (Year: 2018).
 3 Colors 9.9 g Only Ultralight Rimless Retro Round Clip On Nose
 Sunglasses Matrix Morpheus Movie, Retrieved from Internet, Retrieved
 on May 27, 2022 <URL: <https://www.amazon.com/Colors-glasses-Morpheus-rimless-sunglasses/dp/B075M9WVYH>>.

* cited by examiner

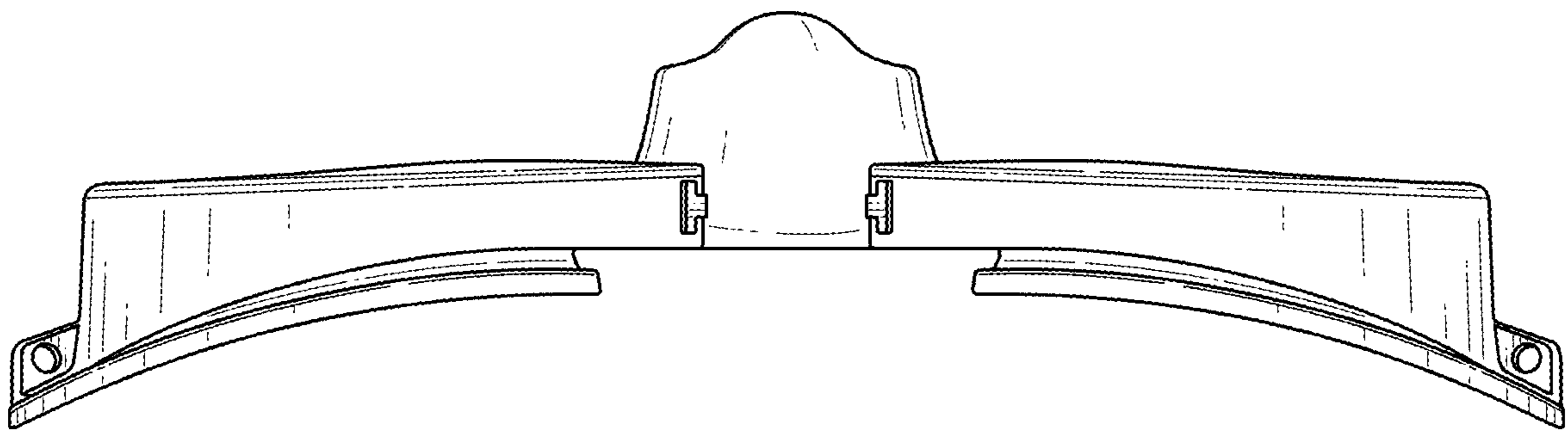


FIG. 1

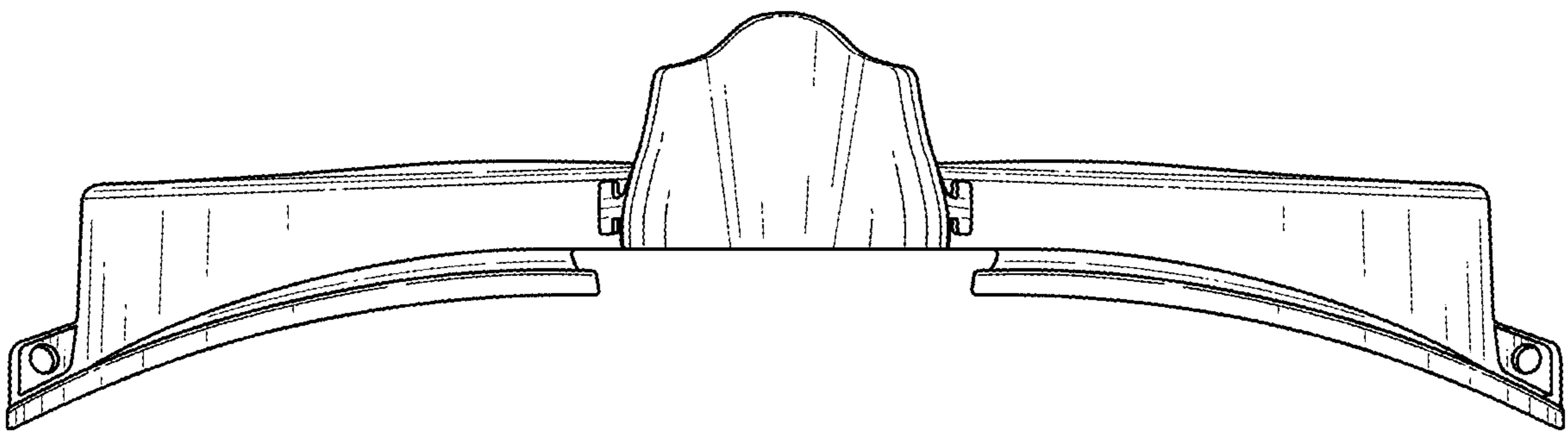


FIG. 2

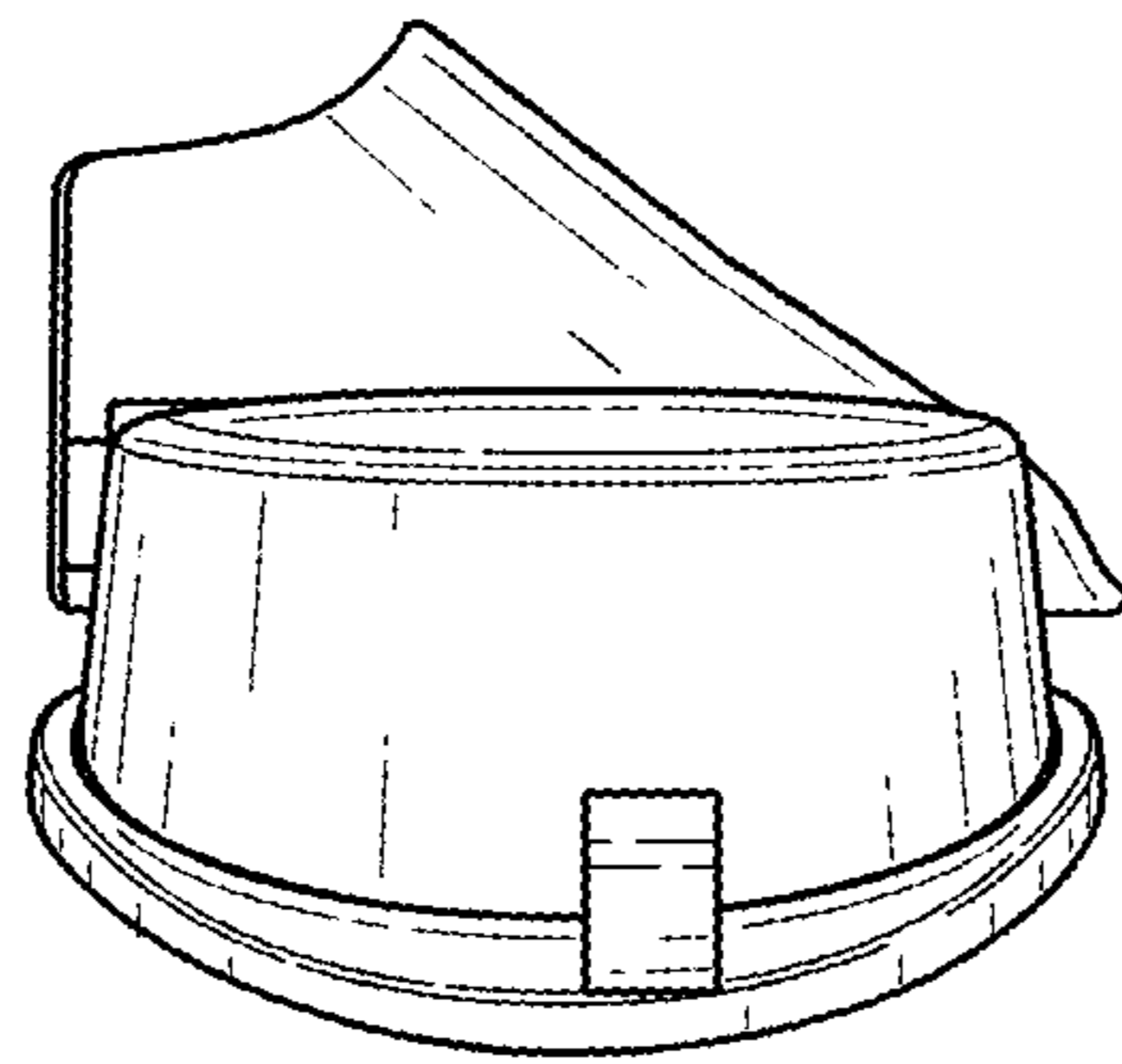


FIG. 3

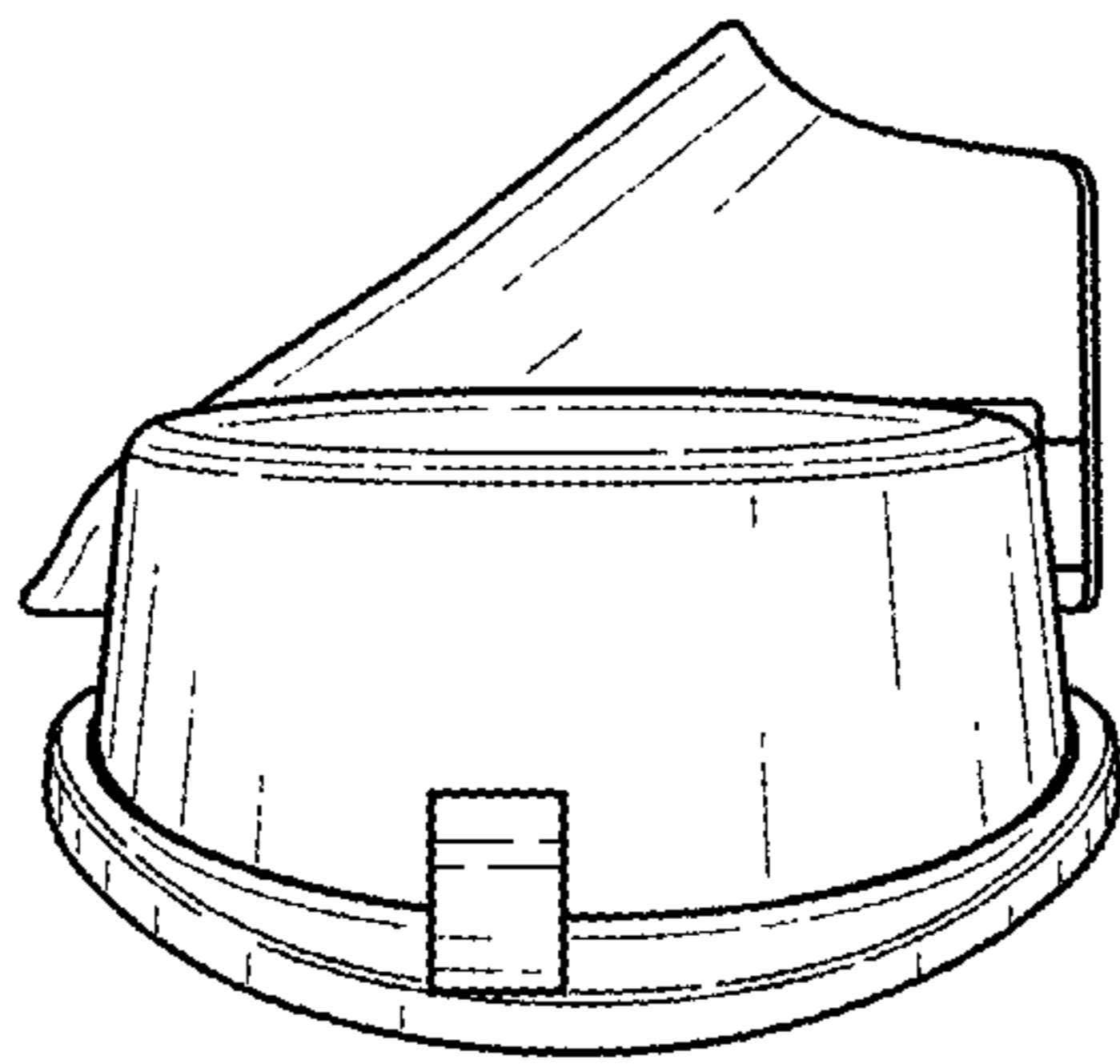


FIG. 4

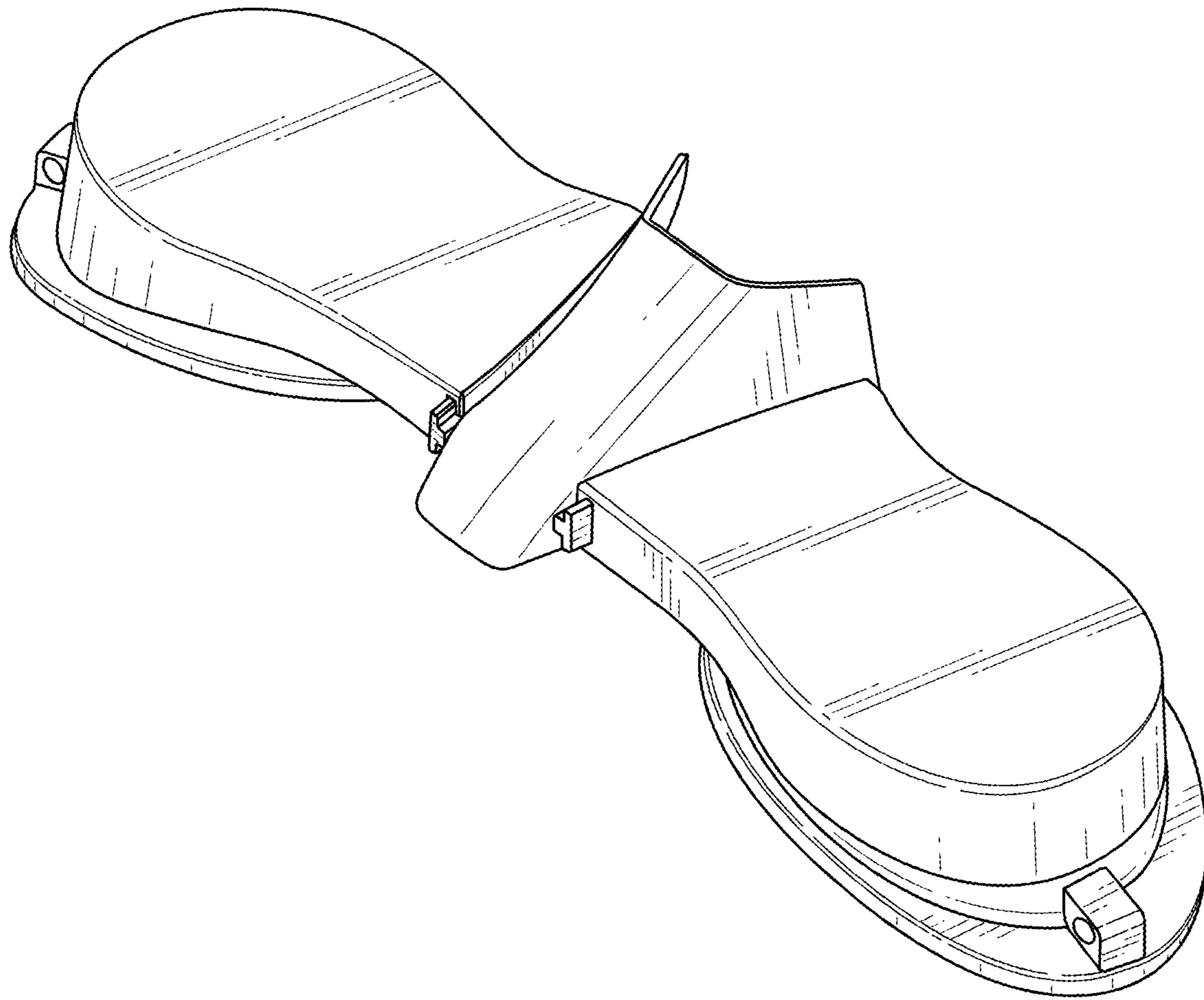


FIG. 5

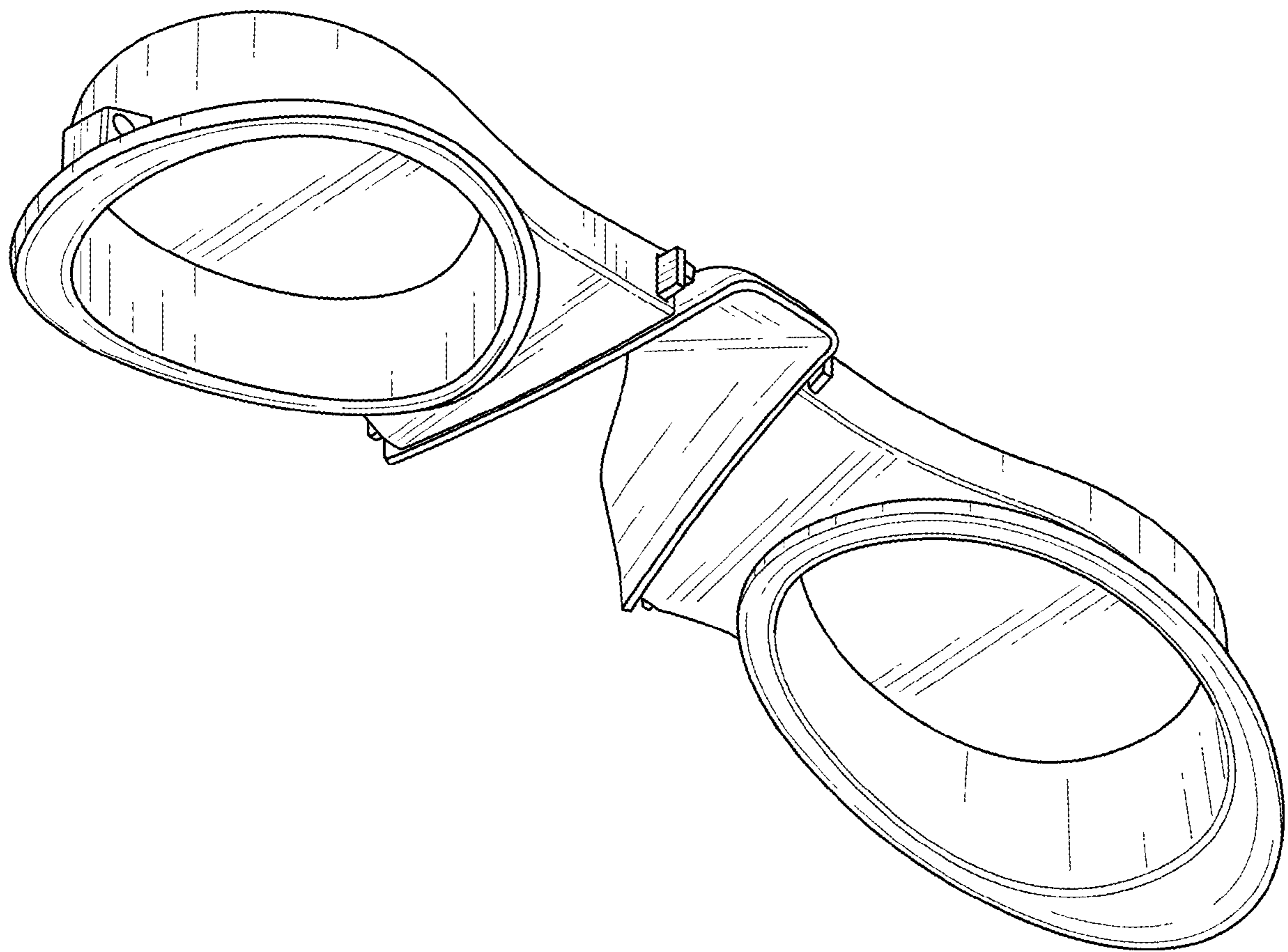


FIG. 6

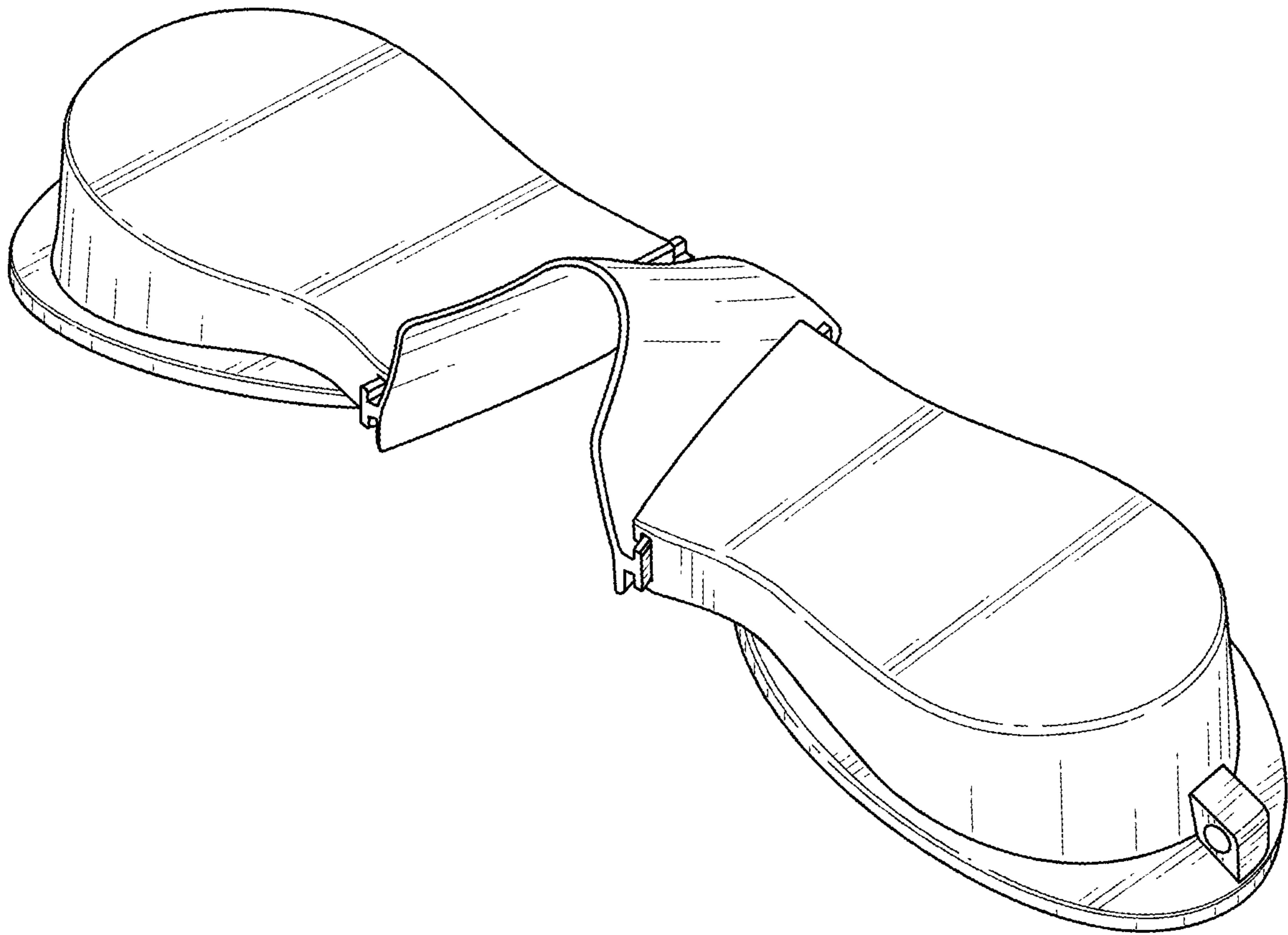


FIG. 7

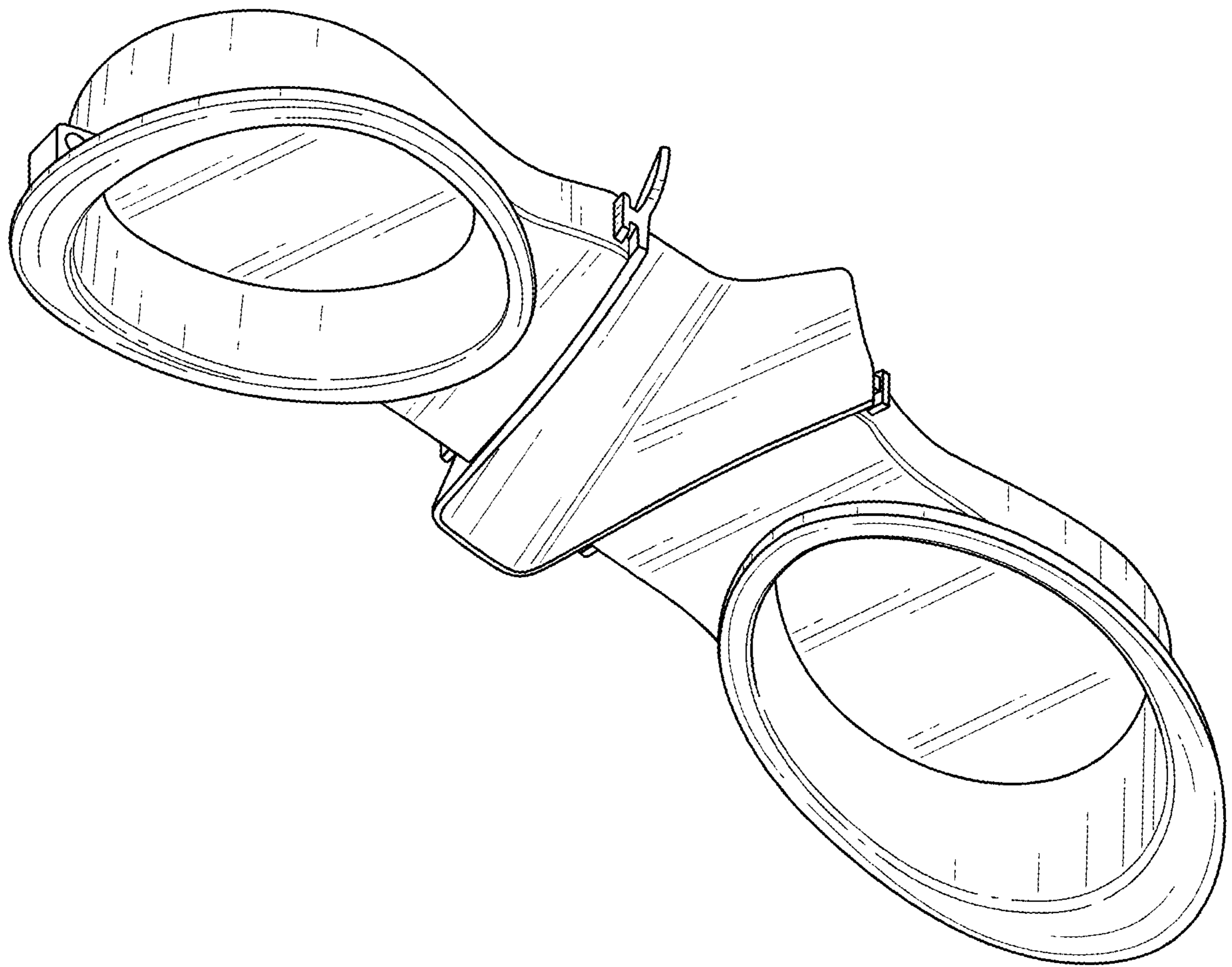


FIG. 8

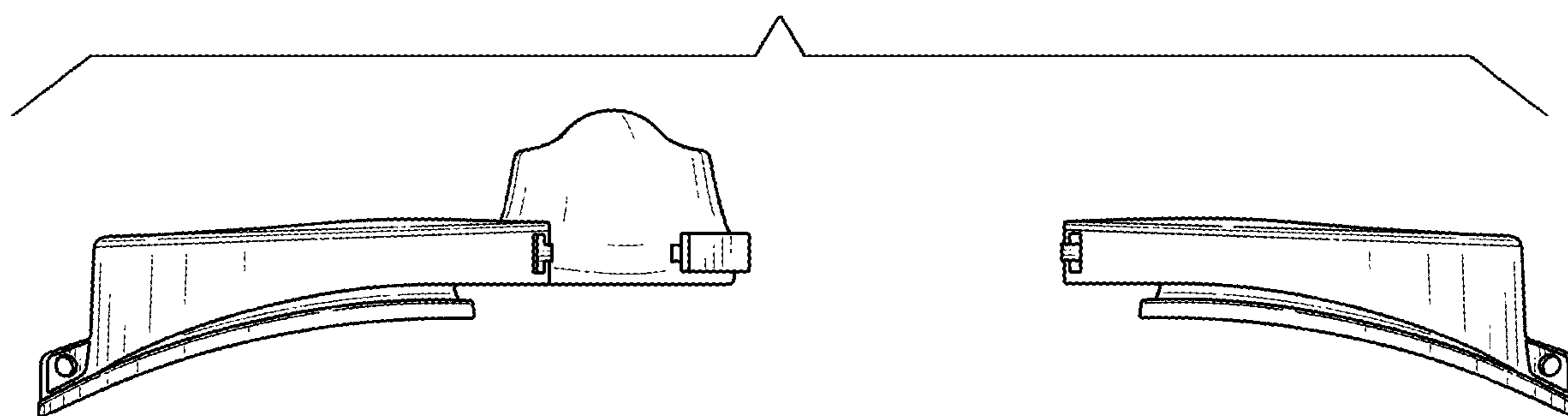


FIG. 9

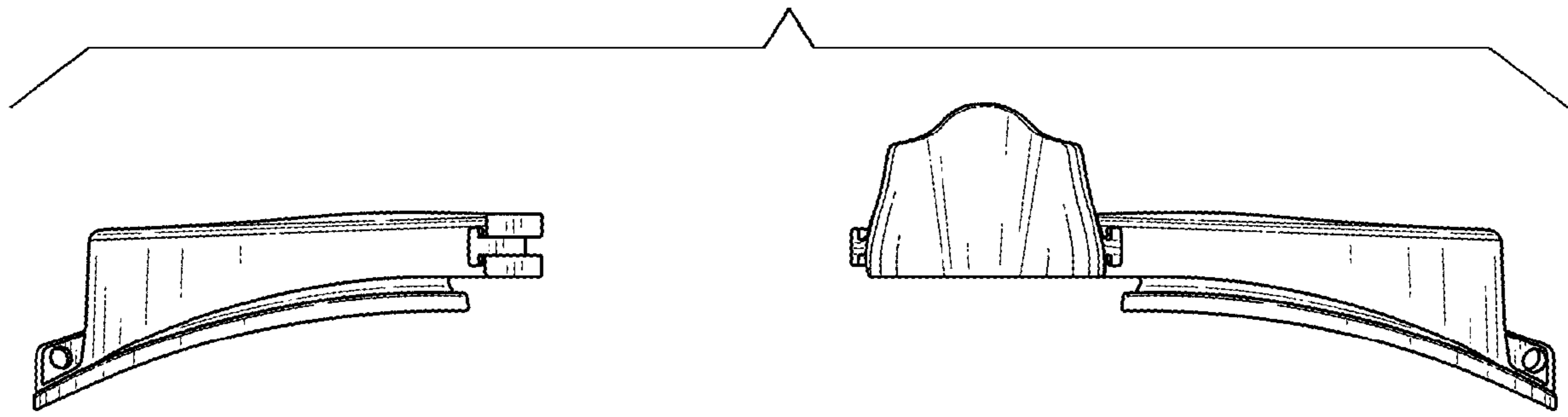


FIG. 10

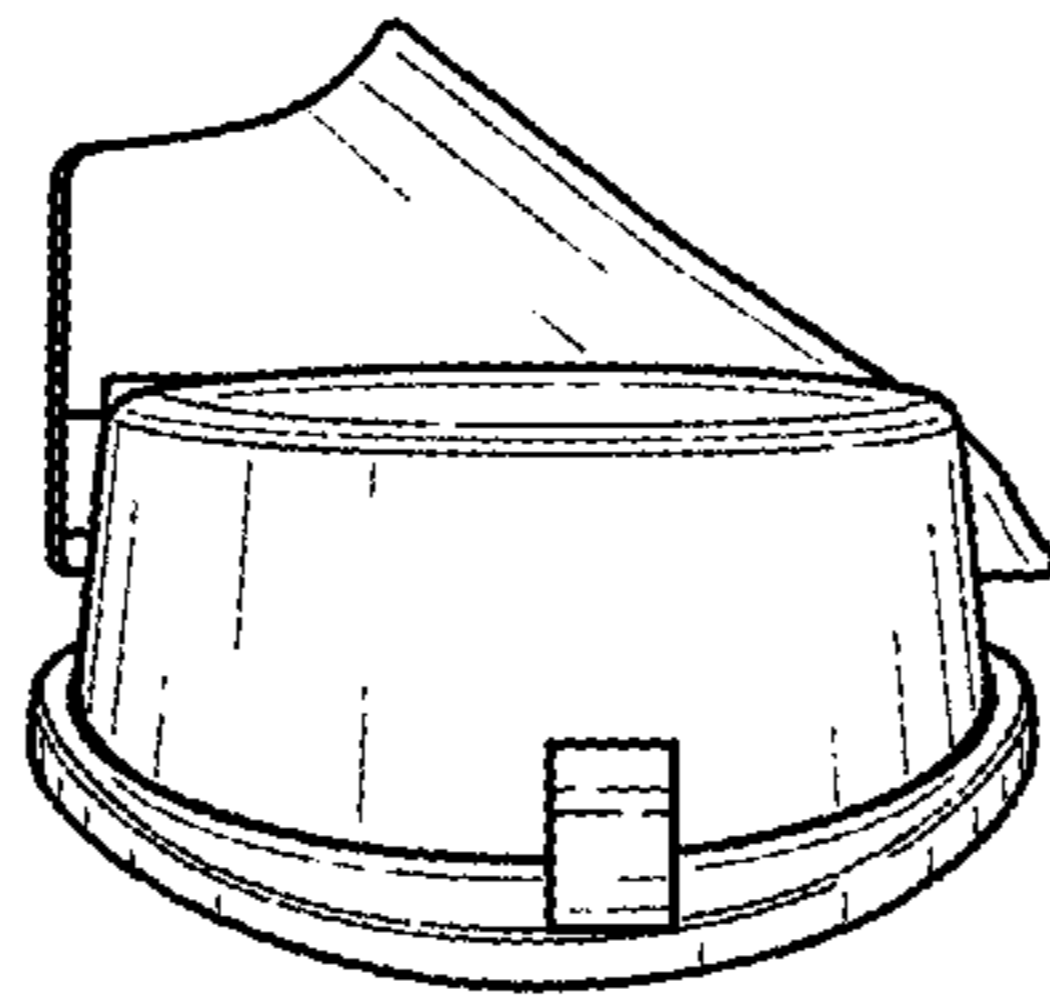


FIG. 11

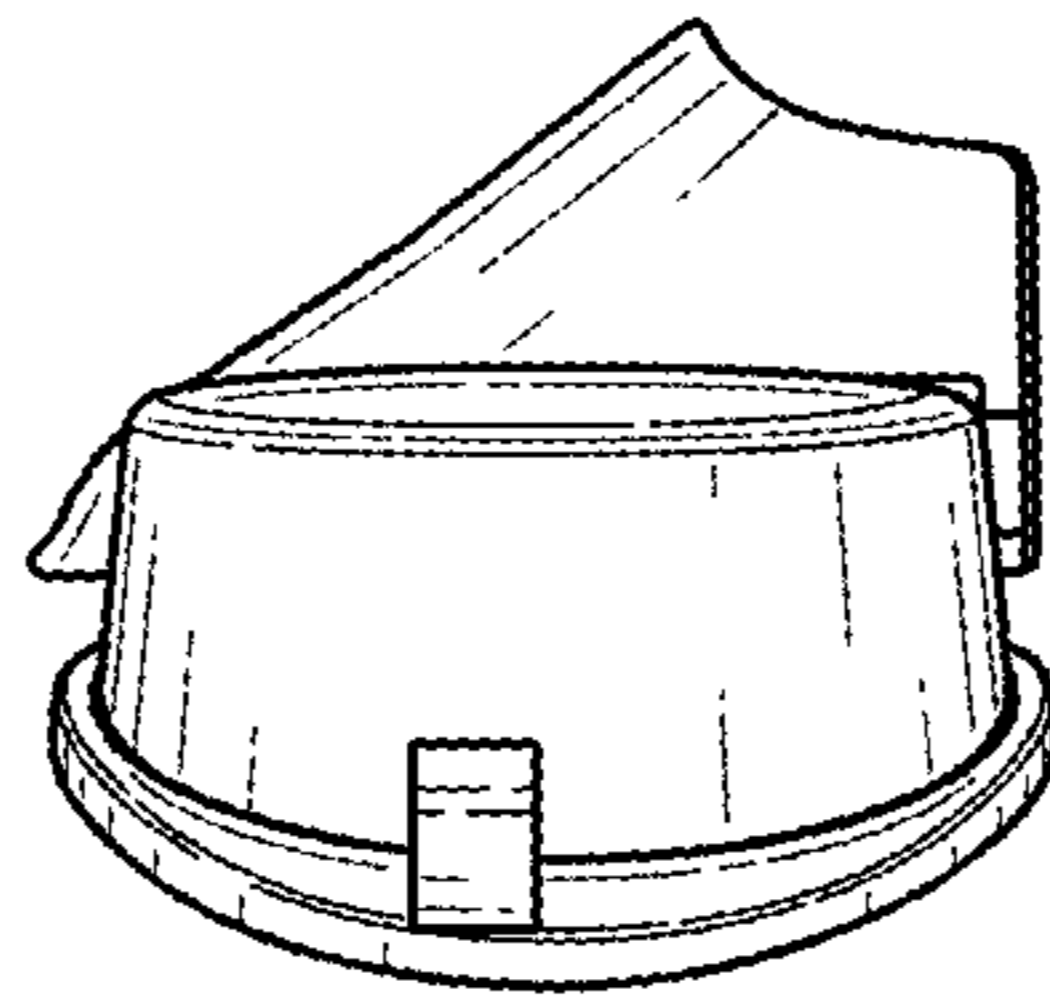


FIG. 12

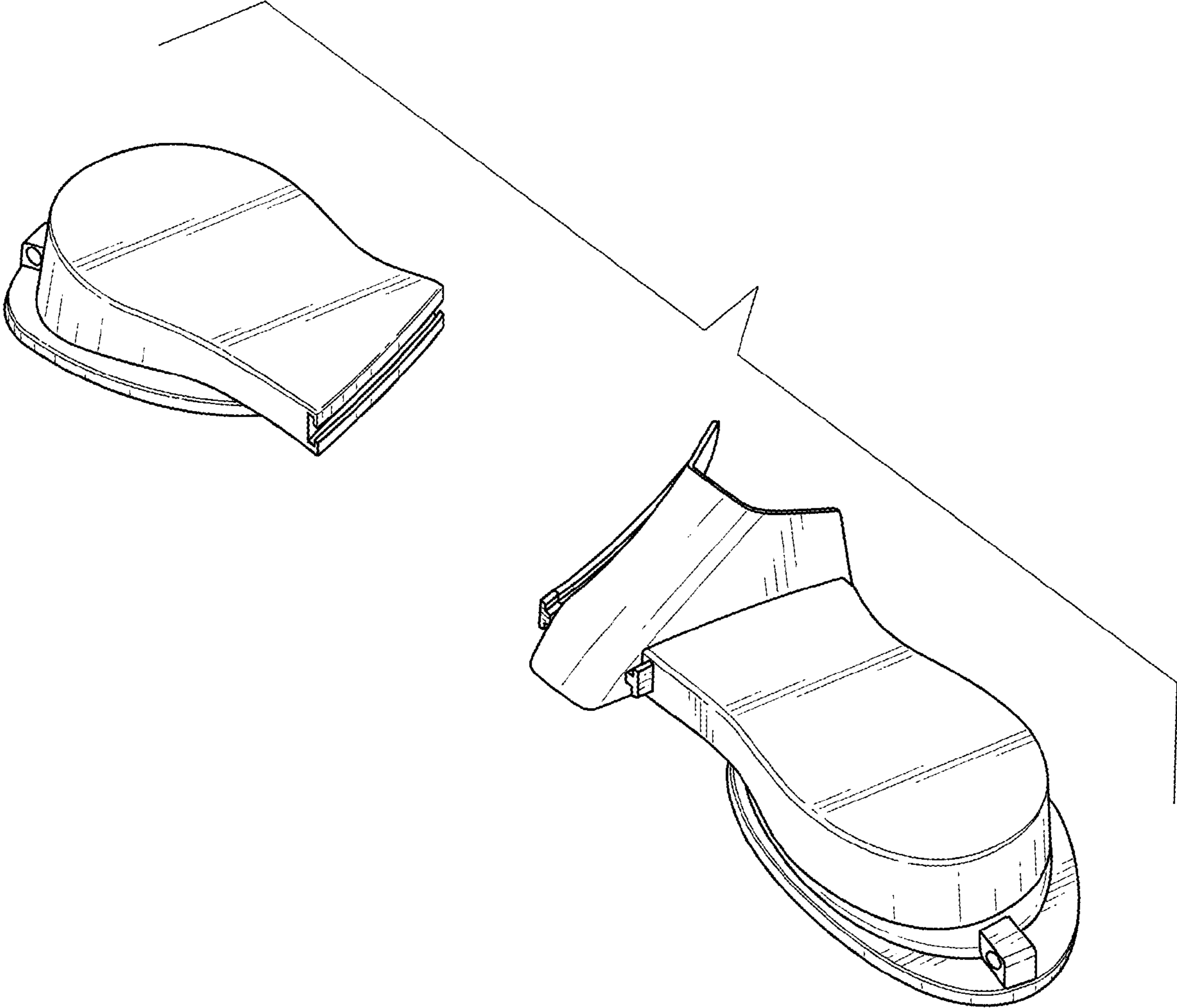


FIG. 13

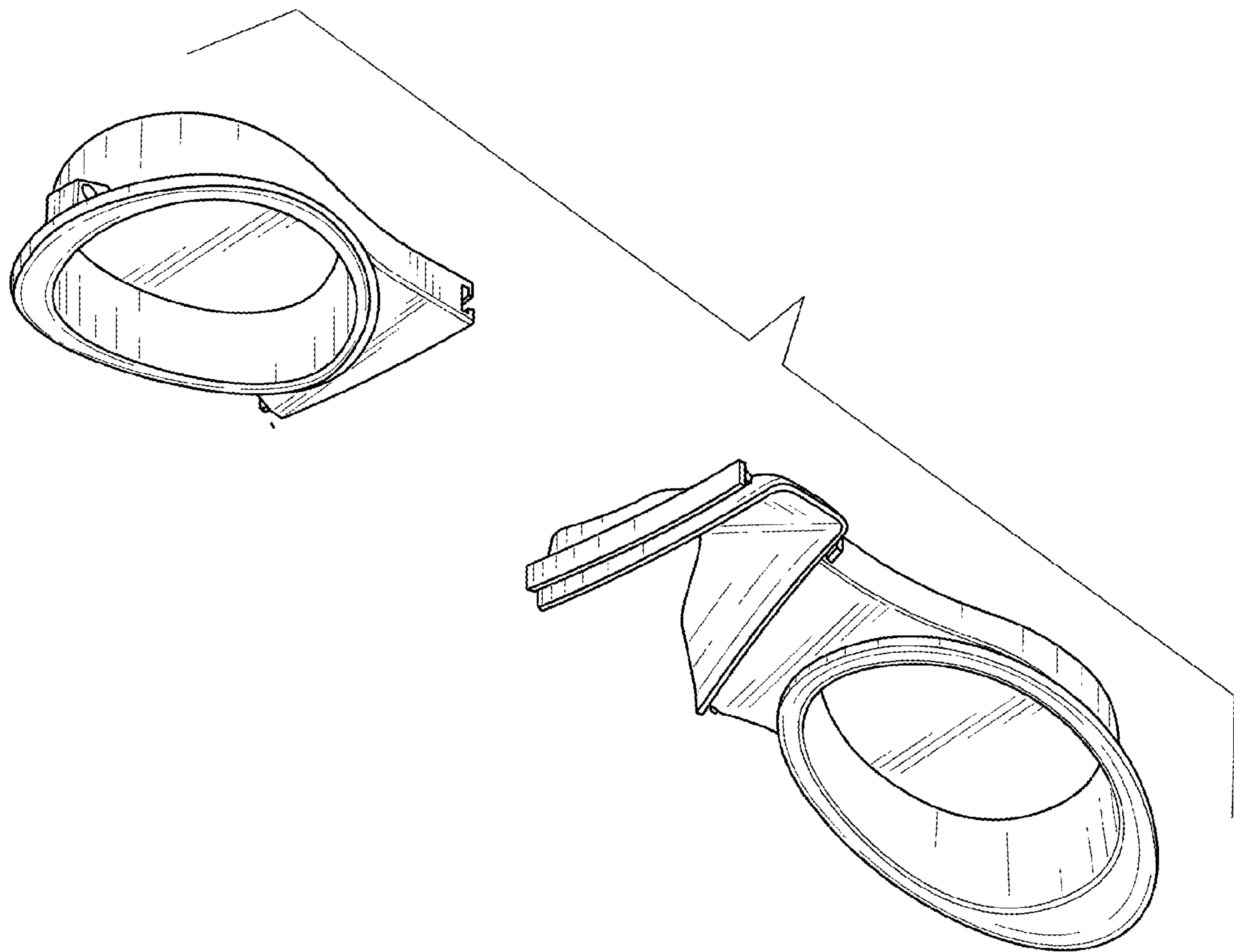


FIG. 14

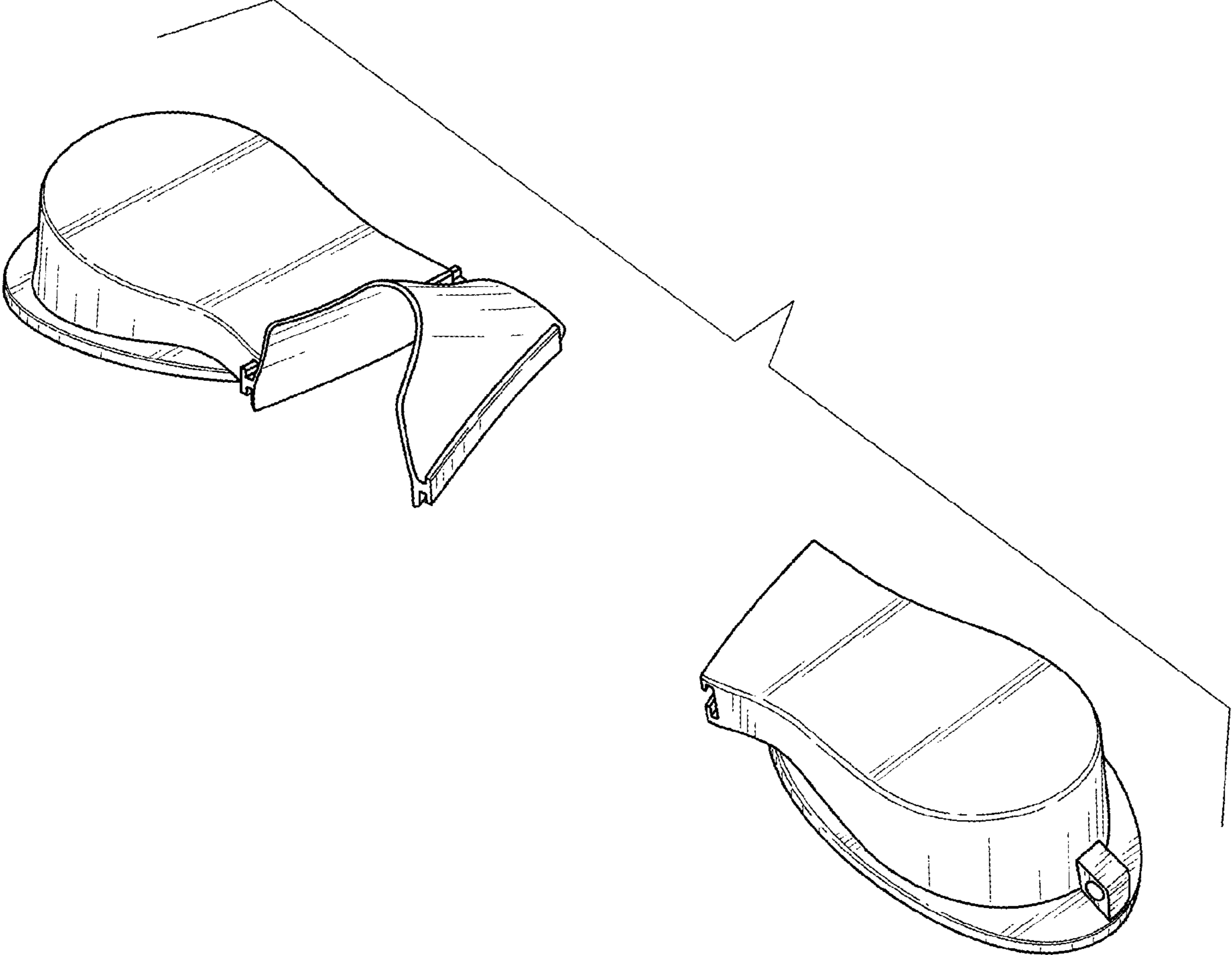


FIG. 15

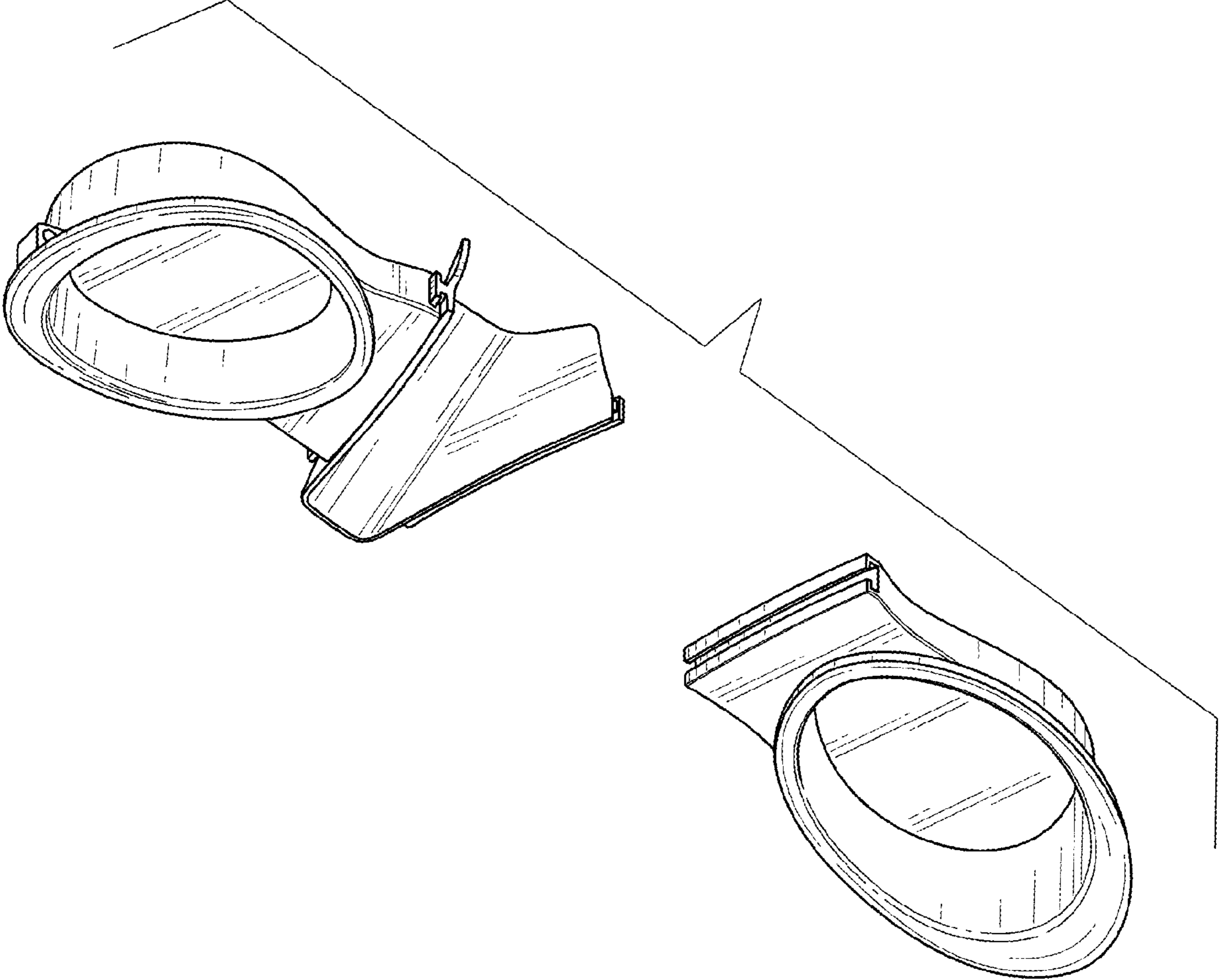


FIG. 16