



US00D989165S

(12) **United States Design Patent** (10) **Patent No.:** **US D989,165 S**
Vitale et al. (45) **Date of Patent:** **** Jun. 13, 2023**

(54) **CAMERA MOUNT**

FOREIGN PATENT DOCUMENTS

(71) Applicant: **GoPro, Inc.**, San Mateo, CA (US)

CN 1740899 A 3/2006
CN 100432830 11/2008

(72) Inventors: **Nicholas Vitale**, Foster City, CA (US);
John George Muhlenkamp, IV,
Brisbane, CA (US); **Huy Phuong**
Nguyen, San Mateo, CA (US); **Marco**
Marroquin, San Mateo, CA (US);
Nicholas D. Woodman, Big Sky, MT
(US)

(Continued)

(73) Assignee: **GoPro, Inc.**, San Mateo, CA (US)

(**) Term: **15 Years**

(21) Appl. No.: **29/763,099**

(22) Filed: **Dec. 21, 2020**

OTHER PUBLICATIONS

'Day of the (most recent) update in DPMAregister' (German Patent and Trademark Office) Jul. 5, 2014 (Jul. 5, 2014), 19 Pages, [Online] retrieved from DPMAregister <URL:https://register.dpma.de/DPMAregister/pat/register/PAT2020130052392_2015-10-137AKZ=2020130052392&VIEW=pdf>, (used to establish publication date of 'File Inspection' publication by Maas listed directly above).

(Continued)

Primary Examiner — Richard Kearney

Assistant Examiner — Benjamin M Weeks

(74) *Attorney, Agent, or Firm* — Young Basile Hanlon & MacFarlane, P.C.

(57) **CLAIM**

The ornamental design for a camera mount, as shown and described.

Related U.S. Application Data

(63) Continuation of application No. 29/681,087, filed on Feb. 22, 2019, now Pat. No. Des. 905,786, which is (Continued)

(51) **LOC (14) Cl.** **16-05**

(52) **U.S. Cl.**
USPC **D16/242**

(58) **Field of Classification Search**
USPC D16/242, 237-241, 243-250
(Continued)

(56) **References Cited**

U.S. PATENT DOCUMENTS

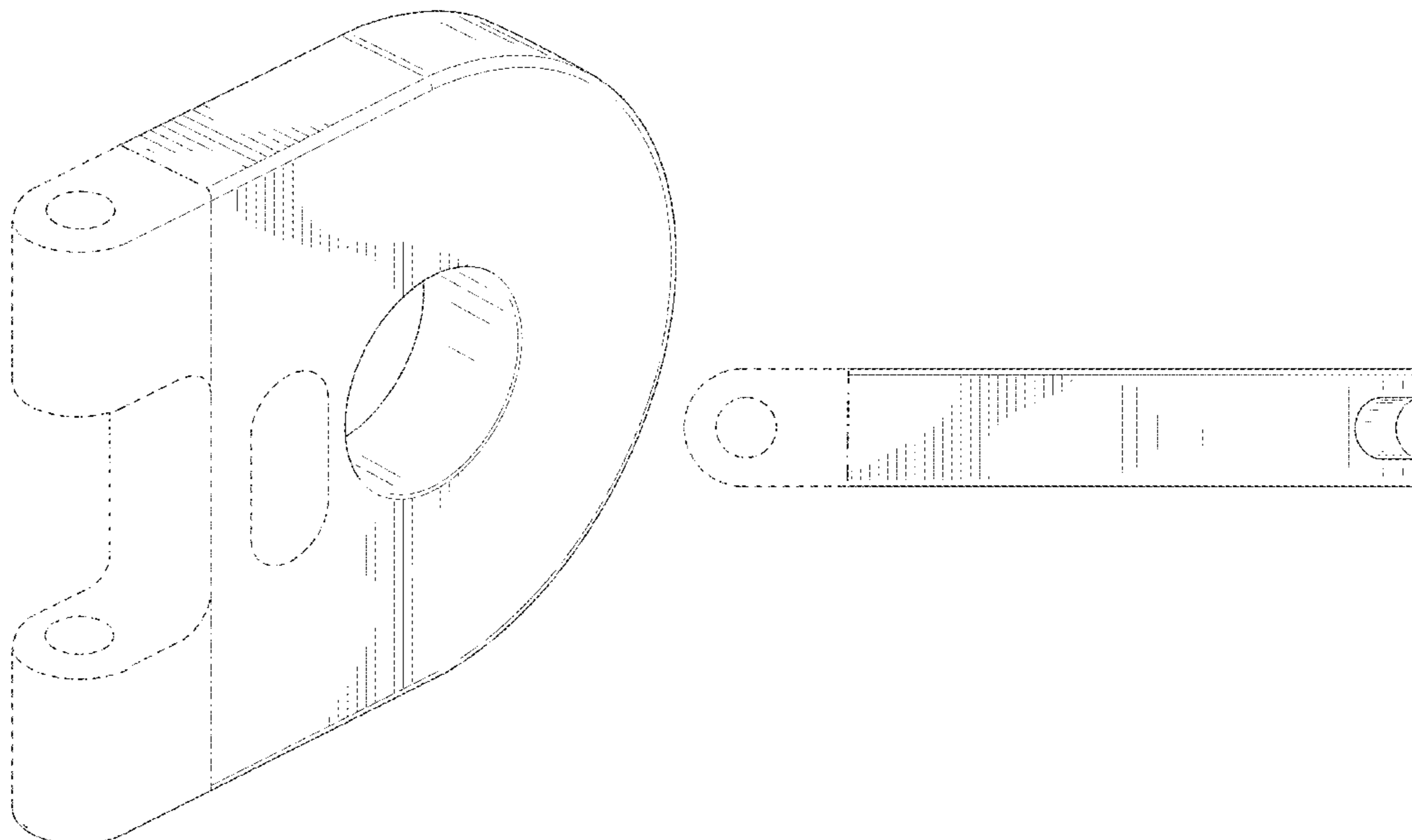
1,467,556 A 9/1923 Nagel
1,612,277 A 12/1926 Leo

(Continued)

DESCRIPTION

FIG. 1 is a lower, front, left perspective view of a camera mount of our new design;
FIG. 2 is a bottom plan view of the camera mount thereof;
FIG. 3 is an upper plan view of the camera mount thereof;
FIG. 4 is a front elevation view of the camera mount thereof;
FIG. 5 is a rear elevation view of the camera mount thereof;
FIG. 6 is a left elevation view of the camera mount thereof;
and,
FIG. 7 is right elevation view of the camera mount thereof. Broken lines of equal length dashes (dash-dash) illustrate unclaimed portions of the camera mount. Broken lines of unequal length dashes (dash-dot) illustrate the bounds of the claimed design and form no part thereof.

1 Claim, 7 Drawing Sheets



Related U.S. Application Data

a continuation-in-part of application No. 29/661,819,
filed on Aug. 31, 2018, now Pat. No. Des. 894,256.

(58) **Field of Classification Search**

CPC A45F 5/00; A45F 5/10; A45F 3/14; F16M
11/06-10; F16M 11/14; G02B 7/00-002;
A45C 13/30; B60P 7/0823; G03B 17/56;
G03B 17/561; G03B 17/566

See application file for complete search history.

(56) **References Cited**

U.S. PATENT DOCUMENTS

D118,296 S	12/1939	Tuomey	6,332,146 B1	12/2001	Jebens
2,651,981 A	9/1953	Calhoun	6,360,928 B1	3/2002	Russo
2,890,067 A	6/1959	Morin	D460,474 S	7/2002	Gotham
2,962,251 A	11/1960	Nikolaus	D462,893 S	9/2002	Sung
3,073,227 A	1/1963	Richard	6,480,671 B2	11/2002	Takahashi
3,508,482 A	4/1970	Taylor	6,483,542 B1	11/2002	Morinaga
D219,768 S	1/1971	Conwill	D467,605 S	12/2002	Dordick
3,762,797 A	10/1973	Heller	6,530,784 B1	3/2003	Yim
3,776,649 A	12/1973	Kemezys	6,583,809 B1	6/2003	Fujiwara
3,860,937 A	1/1975	Wolfe	6,654,235 B2	11/2003	Imсанд
D243,655 S	3/1977	Matousek	D483,789 S	12/2003	Dordick
4,025,930 A	5/1977	Wolff	6,727,954 B1	4/2004	Hiroyuki
4,091,402 A	5/1978	Siegel	6,741,287 B1	5/2004	Fuchimukai
4,208,028 A	6/1980	Brown	D491,968 S	6/2004	Isshiki
D272,392 S	1/1984	Bigelow	D492,893 S	7/2004	Oddsен, Jr.
4,646,141 A	2/1987	Timmermans	D494,450 S	8/2004	Schultz
4,733,259 A	3/1988	Ng	6,809,759 B1	10/2004	Chiang
4,763,151 A	8/1988	Klinger	D504,904 S	5/2005	Nagai
4,837,817 A	6/1989	Maemori	6,955,484 B2	10/2005	Woodman
4,864,335 A	9/1989	Corrales	D511,960 S	11/2005	Ogino
4,887,161 A	12/1989	Watanabe	D515,121 S	2/2006	Bleau
4,888,795 A	12/1989	Ando	D515,613 S	2/2006	Holmes
5,021,813 A	6/1991	Corrales	D515,910 S	2/2006	Gates
5,092,458 A	3/1992	Yokoyama	7,011,460 B1	3/2006	Todd
5,244,326 A	9/1993	Henriksen	7,060,921 B2	6/2006	Kubo
5,294,988 A	3/1994	Wakabayashi	7,077,582 B2	7/2006	Johnson
5,327,265 A	7/1994	McDonald	7,129,981 B2	10/2006	Berstis
5,336,086 A	8/1994	Simmen	7,185,862 B1	3/2007	Yang
5,400,234 A	3/1995	Yu	7,196,722 B2	3/2007	White
5,429,466 A	7/1995	Nagayama	7,226,261 B1	6/2007	Bristol
D363,562 S	10/1995	Schildt	D551,969 S	10/2007	Aurilio
5,485,357 A	1/1996	Zolninger	7,285,879 B2	10/2007	Osaka
5,486,852 A	1/1996	Arai	7,295,388 B2	11/2007	Shyu
5,505,424 A	4/1996	Niemann	D559,083 S	1/2008	Brassard
D373,947 S	9/1996	Parduhn	7,327,396 B2	2/2008	Schultz
5,563,661 A	10/1996	Takahashi	7,337,403 B2	2/2008	Pavley
5,627,587 A	5/1997	Murata	7,362,352 B2	4/2008	Ueyama
5,657,081 A	8/1997	Kurahashi	7,379,664 B2	5/2008	Marcus
5,661,823 A	8/1997	Yamauchi	D571,188 S	6/2008	Brassard
D391,217 S *	2/1998	Pingel D12/114	D576,486 S	9/2008	Koza
5,729,289 A	3/1998	Etoh	D577,729 S	9/2008	Derry
5,769,370 A	6/1998	Ashjaee	D577,731 S	9/2008	Altonji
5,775,558 A	7/1998	Montalbano	7,440,693 B2	10/2008	Kouchi
5,805,219 A	9/1998	Ejima	D581,255 S	11/2008	Calvin
5,808,663 A	9/1998	Okaya	D582,955 S	12/2008	Sekine
5,842,069 A	11/1998	Konno	7,463,304 B2	12/2008	Murray
5,887,375 A	3/1999	Watson	7,464,215 B2	12/2008	Kawai
5,926,218 A	7/1999	Smith	7,496,293 B2	2/2009	Shamir
5,938,492 A	8/1999	Carlini	7,508,420 B2	3/2009	Kitajima
5,946,501 A	8/1999	Hayakawa	D591,325 S	4/2009	Dordick
5,969,750 A	10/1999	Hsieh	7,537,399 B2	5/2009	Mayumi
D418,044 S	12/1999	Schoeneweis	7,543,327 B1	6/2009	Kaplinsky
6,034,728 A	3/2000	Arena	D596,217 S	7/2009	Kim
6,035,147 A	3/2000	Kurosawa	D596,658 S	7/2009	Dordick
6,104,887 A	8/2000	Hamasaki	7,612,821 B1	11/2009	Hsia
6,118,929 A	9/2000	Kawamura	7,613,386 B2	11/2009	Shimamura
6,128,441 A	10/2000	Kamata	7,643,056 B2	1/2010	Silsby
6,138,826 A	10/2000	Kanamori	7,656,294 B2	2/2010	Boss
D437,772 S	2/2001	Erwin	7,663,666 B2	2/2010	Kawai
D441,386 S	5/2001	Yamazaki	7,671,886 B2	3/2010	Sawada
D442,982 S	5/2001	Adachi	7,674,081 B2	3/2010	Selle
6,315,180 B1	11/2001	Watkins	D616,286 S	5/2010	Foresman
			D616,480 S	5/2010	Ookawa
			D616,742 S	6/2010	Lynn
			7,728,905 B2	6/2010	Tanaka
			7,752,732 B2	7/2010	Brown
			7,801,425 B2	9/2010	Fantone
			D625,750 S	10/2010	Dittmer
			7,823,771 B2	11/2010	Sawachi
			D635,445 S	4/2011	Foresman
			D640,304 S	6/2011	Green
			8,013,932 B2	9/2011	Chan
			8,014,656 B2	9/2011	Woodman
			8,026,945 B2	9/2011	Garoutte
			D646,313 S	10/2011	Woodman
			8,031,222 B2	10/2011	Crinon
			D657,808 S	4/2012	Woodman
			8,150,248 B1	4/2012	Woodman
			8,194,145 B2	6/2012	Lee

(56)

References Cited

U.S. PATENT DOCUMENTS

8,194,174 B2	6/2012	Roskowski	D754,238 S	4/2016	Woodman
8,199,251 B2	6/2012	Woodman	9,357,115 B2	5/2016	Campbell
8,218,025 B2	7/2012	Yonaha	9,360,742 B1	6/2016	Harrison
8,235,635 B1	8/2012	Brown	9,372,383 B2	6/2016	Johnson
8,267,361 B1	9/2012	Dordick	9,377,672 B1	6/2016	Clearman
8,300,107 B2	10/2012	Strandwitz	9,395,031 B1	7/2016	Clearman
D671,394 S	11/2012	Derry	9,395,603 B2	7/2016	Achenbach
8,325,270 B2	12/2012	Woodman	D762,536 S	8/2016	Wurzer
8,328,055 B1	12/2012	Snyder	D764,566 S	8/2016	Bennett
D675,242 S	1/2013	O'Donnell	D764,567 S	8/2016	Bennett
8,348,214 B2	1/2013	Vogt	9,423,673 B2	8/2016	Clearman
8,356,948 B2	1/2013	Onishi	9,426,341 B1	8/2016	Baldrige
8,368,748 B2	2/2013	Ho	9,507,245 B1	11/2016	Druker
8,371,729 B2	2/2013	Sharrah	9,513,535 B2	12/2016	Bennett
D679,576 S	4/2013	Paul	9,521,302 B2	12/2016	Samuels
D680,097 S	4/2013	Davies	D776,746 S	1/2017	Bennett
D683,207 S	5/2013	Papadopoulos	D777,240 S	1/2017	Costa
8,467,675 B2	6/2013	Chen	9,551,915 B2	1/2017	Clearman
8,485,910 B2	7/2013	Selle	D780,249 S	2/2017	Ramsthaller
D690,280 S	9/2013	Schul	9,588,407 B1	3/2017	Harrison
8,542,308 B2	9/2013	Ozawa	9,596,388 B2	3/2017	Woodman
8,544,643 B2	10/2013	Yim	9,622,556 B2	4/2017	Fathollahi
8,638,392 B2	1/2014	Woodman	9,625,791 B2	4/2017	Harrison
D699,276 S	2/2014	Samuels	9,628,681 B2	4/2017	Clearman
D699,277 S	2/2014	Samuels	9,635,226 B2	4/2017	Samuels
D700,166 S	2/2014	Petersen	9,661,197 B2	5/2017	Clearman
D701,840 S	4/2014	Kazakia	9,681,029 B2	6/2017	Harrison
D702,276 S	4/2014	Woodman	9,699,360 B2	7/2017	Woodman
8,727,642 B1	5/2014	Tse	D795,061 S	8/2017	Bacallao
8,743,277 B2	6/2014	Matsuzawa	9,736,376 B1	8/2017	Holway
8,749,966 B1	6/2014	Boudreau	9,763,548 B2	9/2017	Theising
8,792,003 B2	7/2014	Nakamura	9,772,542 B2	9/2017	Clearman
8,807,849 B2	8/2014	Apter	D799,953 S	10/2017	Papafagos
D713,868 S	9/2014	Yang	D800,205 S	10/2017	Harrison
8,825,124 B1	9/2014	Davies	D800,822 S	10/2017	Costa
8,827,219 B2	9/2014	Kessler	9,823,549 B1	11/2017	Miyashita
8,830,326 B2	9/2014	Kitagawa	9,829,772 B2	11/2017	Harrison
8,837,928 B1	9/2014	Clearman	9,851,622 B2	12/2017	Song
8,870,475 B1	10/2014	Bennett	9,864,257 B1	1/2018	Wroblewski
D718,617 S	12/2014	Taylor	9,880,451 B2	1/2018	Clearman
8,917,496 B2	12/2014	Richardson	D811,335 S	2/2018	Weng
D722,864 S	2/2015	Greenthal	9,904,148 B1	2/2018	Druker
D724,637 S	3/2015	Samuels	9,915,855 B1	3/2018	Miyashita
D724,638 S	3/2015	Samuels	9,926,029 B2	3/2018	Rucker
8,970,689 B2	3/2015	Campbell	9,930,231 B2	3/2018	Clearman
8,992,102 B1	3/2015	Samuels	D818,517 S *	5/2018	Szarawarski D8/356
D727,387 S	4/2015	Hasegawa	10,025,166 B2	7/2018	Clearman
D727,991 S	4/2015	Hasegawa	10,094,513 B2	10/2018	Bennett
9,004,783 B1	4/2015	Woodman	D837,623 S	1/2019	Powers
9,014,766 B2	4/2015	Hu	D839,946 S	2/2019	De Vries
D729,059 S	5/2015	Taylor	D840,795 S	2/2019	Tribbett
D729,761 S	5/2015	Hu	D841,721 S	2/2019	Muhlenkamp, IV
D729,762 S	5/2015	Hu	D847,609 S	5/2019	Ng
D730,423 S	5/2015	Vandenbussche	10,306,115 B2	5/2019	Samuels
9,033,596 B2	5/2015	Samuels	10,356,291 B2	7/2019	Woodman
D732,593 S	6/2015	Woodman	10,416,538 B2	9/2019	Clearman
D732,933 S	6/2015	Jansen	10,511,750 B2	12/2019	Clearman
9,097,962 B2	8/2015	Johnson, Sr.	D873,833 S	1/2020	Leimer
9,122,133 B2	9/2015	Bennett	10,539,858 B2	1/2020	Clearman
9,152,019 B2	10/2015	Kintner	10,547,769 B2	1/2020	Harrison
9,161,110 B1	10/2015	Patsis	D874,248 S	2/2020	Stekr
9,204,022 B2	12/2015	Campbell	D879,762 S	3/2020	Luo
9,204,710 B1	12/2015	Burns	D894,256 S *	8/2020	Vitale D16/242
9,229,299 B1	1/2016	Morlon	D905,786 S *	12/2020	Vitale D16/242
9,243,737 B2	1/2016	Hida	10,928,711 B2	2/2021	Nicholas
9,243,739 B2	1/2016	Peters	D947,357 S *	3/2022	Chen D23/377
9,244,337 B2	1/2016	Weihe	2001/0017339 A1	8/2001	Brotz
D749,164 S	2/2016	Raccach	2001/0043281 A1	11/2001	Onuki
9,268,200 B2	2/2016	Clearman	2002/0005907 A1	1/2002	Alten
9,268,201 B1	2/2016	Montgomery	2002/0046218 A1	4/2002	Gilbert
D750,687 S	3/2016	Samuels	2002/0101534 A1	8/2002	Liu
9,282,226 B2	3/2016	Samuels	2002/0178116 A1	11/2002	Yamasaki
9,297,616 B2	3/2016	Daniel	2003/0035052 A1	2/2003	Baron
9,297,640 B2	3/2016	Tassakos	2003/0085244 A1	5/2003	Parsons
9,300,345 B2	3/2016	Johnson	2003/0104806 A1	6/2003	Ruef
			2003/0115662 A1	6/2003	Dobbie
			2003/0156212 A1	8/2003	Kingetsu
			2003/0179306 A1	9/2003	Lee
			2004/0066457 A1	4/2004	Silverstein

(56)

References Cited

U.S. PATENT DOCUMENTS

2004/0076415	A1	4/2004	Da	2010/0289904	A1	11/2010	Zhang
2004/0095506	A1	5/2004	Scott	2010/0299814	A1	12/2010	Celona
2004/0201745	A1	10/2004	Wess	2010/0333155	A1	12/2010	Royall
2004/0212687	A1	10/2004	Patwari	2011/0001834	A1	1/2011	Herrell
2004/0223752	A1	11/2004	Ghanouni	2011/0042530	A1	2/2011	Phillips
2005/0025472	A1	2/2005	Sugita	2011/0064401	A1	3/2011	Desorbo
2005/0041966	A1	2/2005	Johnson	2011/0129210	A1	6/2011	McGucken
2005/0122424	A1	6/2005	Overstreet	2011/0138673	A1	6/2011	Deros
2005/0190263	A1	9/2005	Monroe	2011/0147245	A1	6/2011	Yim
2005/0265711	A1	12/2005	Heibel	2011/0211820	A1	9/2011	Yim
2006/0007551	A1	1/2006	Sakurai	2011/0216195	A1	9/2011	Tanaka
2006/0015664	A1	1/2006	Zhang	2011/0224798	A1	9/2011	Caillouette
2006/0022108	A1	2/2006	Kuga	2011/0252188	A1	10/2011	Weingarten
2006/0061663	A1	3/2006	Park	2011/0260022	A1	10/2011	Lin
2006/0066753	A1	3/2006	Gennetten	2011/0297578	A1	12/2011	Stiehl
2006/0072020	A1	4/2006	McCutchen	2011/0298970	A1	12/2011	Shinohara
2006/0098966	A1	5/2006	Takahashi	2011/0317065	A1	12/2011	Lin
2006/0139459	A1	6/2006	Zhong	2012/0017922	A1	1/2012	Hirshberg
2006/0177215	A1	8/2006	Johnson	2012/0043236	A1	2/2012	Szucs
2006/0257137	A1	11/2006	Fromm	2012/0070223	A1	3/2012	Wimberley
2006/0262365	A1	11/2006	Imao	2012/0099849	A1	4/2012	Onishi
2006/0274157	A1	12/2006	Levien	2012/0120236	A1	5/2012	Xiao
2006/0274493	A1	12/2006	Richardson	2012/0133758	A1	5/2012	Foss
2007/0024734	A1	2/2007	Headley	2012/0195585	A1	8/2012	Wagner
2007/0025711	A1	2/2007	Marcus	2012/0224078	A1	9/2012	Woodman
2007/0053680	A1	3/2007	Fromm	2012/0228346	A1	9/2012	Huang
2007/0071423	A1	3/2007	Fantone	2012/0240444	A1	9/2012	Russell
2007/0077062	A1	4/2007	Senba	2012/0242785	A1	9/2012	Sasagawa
2007/0109417	A1	5/2007	Hyttfors	2012/0242786	A1	9/2012	Sasagawa
2007/0126883	A1	6/2007	Ishige	2012/0262618	A1	10/2012	Weakly
2007/0140686	A1	6/2007	Misawa	2012/0288269	A1	11/2012	Jensen
2007/0154254	A1	7/2007	Bevirt	2012/0312309	A1	12/2012	Zimmerman
2007/0242134	A1	10/2007	Zernov	2012/0315813	A1	12/2012	Rossini
2007/0244634	A1	10/2007	Koch	2012/0324682	A1	12/2012	Ballentine
2007/0268382	A1	11/2007	Shiomi	2013/0029515	A1	1/2013	Lin
2007/0268588	A1	11/2007	Elias	2013/0057758	A1	3/2013	Woodman
2008/0011344	A1	1/2008	Barker	2013/0082963	A1	4/2013	Chu
2008/0023607	A1	1/2008	Barker	2013/0107111	A1	5/2013	Campbell
2008/0063392	A1	3/2008	Ahn	2013/0127309	A1	5/2013	Wyner
2008/0072163	A1	3/2008	Teng	2013/0148951	A1	6/2013	Zhang
2008/0074487	A1	3/2008	Ryckman	2013/0170823	A1	7/2013	McDonald
2008/0100712	A1	5/2008	Hayes	2013/0184033	A1	7/2013	Willenborg
2008/0107414	A1	5/2008	Showalter	2013/0186310	A1	7/2013	Lymberis
2008/0117328	A1	5/2008	Daoud	2013/0250134	A1	9/2013	McCauley
2008/0122958	A1	5/2008	Huseth	2013/0263865	A1	10/2013	Khast
2008/0180537	A1	7/2008	Weinberg	2013/0306689	A1	11/2013	Johnson
2008/0237414	A1	10/2008	Lien	2013/0315577	A1	11/2013	Clark
2008/0248703	A1	10/2008	Russell	2013/0324189	A1	12/2013	Katis
2008/0266389	A1	10/2008	Dewind	2013/0331976	A1	12/2013	Freeman
2008/0267613	A1	10/2008	Darrow	2014/0016922	A1	1/2014	Greenthal
2008/0316327	A1	12/2008	Steinberg	2014/0027591	A1	1/2014	Fountain
2008/0316734	A1	12/2008	Spartano	2014/0028484	A1	1/2014	Ho
2009/0003821	A1	1/2009	Son	2014/0036420	A1	2/2014	Chen
2009/0032420	A1	2/2009	Zenzai	2014/0050468	A1	2/2014	Henry
2009/0059064	A1	3/2009	Terakado	2014/0060582	A1	3/2014	Hartranft
2009/0109286	A1	4/2009	Ennis	2014/0066144	A1	3/2014	Hong
2009/0110380	A1	4/2009	Fantone	2014/0069824	A1	3/2014	Kalashnikov
2009/0111543	A1	4/2009	Tai	2014/0098241	A1	4/2014	Stout
2009/0173863	A1	7/2009	Crown	2014/0099093	A1	4/2014	Johnson
2009/0206077	A1	8/2009	Melmon	2014/0104447	A1	4/2014	Woodman
2009/0283184	A1	11/2009	Han	2014/0105589	A1	4/2014	Samuels
2009/0321483	A1	12/2009	Froloff	2014/0190841	A1	7/2014	Nash
2010/0060747	A1	3/2010	Woodman	2014/0226268	A1	8/2014	O'Neill
2010/0061711	A1	3/2010	Woodman	2014/0231475	A1	8/2014	Donnelly
2010/0079607	A1	4/2010	Won	2014/0252188	A1	9/2014	Webster
2010/0118158	A1	5/2010	Boland	2014/0267894	A1	9/2014	Campbell
2010/0141762	A1	6/2010	Siann	2014/0321843	A1	10/2014	Hulse
2010/0205537	A1	8/2010	Knighton	2014/0353178	A1	12/2014	Kim
2010/0220188	A1	9/2010	Renkis	2015/0030320	A1	1/2015	Clearman
2010/0229450	A1	9/2010	Becker	2015/0040917	A1	2/2015	Gottsch
2010/0246669	A1	9/2010	Harel	2015/0078737	A1	3/2015	Albonico
2010/0252188	A1	10/2010	Inanami	2015/0122849	A1	5/2015	Jones
2010/0253832	A1	10/2010	Duparre	2015/0130998	A1	5/2015	Campbell
2010/0266273	A1	10/2010	Wood	2015/0136620	A1	5/2015	Williams
2010/0283843	A1	11/2010	Cai	2015/0143618	A1	5/2015	Pereira
				2015/0171404	A1	6/2015	Kwon
				2015/0177597	A1	6/2015	Harrison
				2015/0180527	A1	6/2015	Fathollahi
				2015/0192841	A1	7/2015	Bennett

(56)

References Cited

U.S. PATENT DOCUMENTS

2015/0195436 A1 7/2015 Samuels
 2015/0234258 A1 8/2015 Hida
 2015/0253651 A1 9/2015 Russell
 2015/0264226 A1 9/2015 Gafni
 2015/0286115 A1 10/2015 Koch
 2015/0286117 A1 10/2015 Sung
 2015/0288892 A1 10/2015 Frank
 2015/0305518 A1 10/2015 Galant
 2015/0312446 A1 10/2015 Blackman
 2015/0323856 A1 11/2015 Nordhaug
 2015/0332129 A1 11/2015 Murphy
 2015/0346588 A1 12/2015 Hudson
 2015/0366093 A1 12/2015 Battista
 2016/0077409 A1 3/2016 Samuels
 2016/0100083 A1 4/2016 Harrison
 2016/0119516 A1 4/2016 Clearman
 2016/0131963 A1 5/2016 Clearman
 2016/0131964 A1 5/2016 Basulto
 2016/0134788 A1 5/2016 Clearman
 2016/0139494 A1 5/2016 Tien
 2016/0186919 A1 6/2016 Zhao
 2016/0209733 A1 7/2016 Akai
 2016/0216597 A1 7/2016 Lim
 2016/0219202 A1 7/2016 Barros
 2016/0269629 A1 9/2016 Martin
 2016/0309064 A1 10/2016 Woodman
 2016/0330352 A1 11/2016 Samuels
 2016/0355121 A1 12/2016 Gertsma
 2016/0373623 A1 12/2016 Woodman
 2017/0050794 A1 2/2017 Clark
 2017/0059967 A1 3/2017 Harrison
 2017/0060184 A1 3/2017 Ranetkins
 2017/0090273 A1 3/2017 Clearman
 2017/0108759 A1 4/2017 Clearman
 2017/0142300 A1 5/2017 Rice
 2017/0176843 A1 6/2017 Yamakose
 2017/0223238 A1 8/2017 Clearman
 2017/0235213 A1 8/2017 Clearman
 2017/0255082 A1 9/2017 Song
 2017/0272626 A1 9/2017 Harrison
 2017/0289413 A1 10/2017 Samuels
 2017/0324890 A1 11/2017 Moskovchenko
 2017/0339319 A1 11/2017 Woodman
 2018/0059514 A1 3/2018 Druker
 2018/0095343 A1 4/2018 Wroblewski
 2018/0136546 A1 5/2018 Clearman
 2018/0157153 A1 6/2018 Clearman
 2018/0220050 A1 8/2018 Clearman
 2019/0025675 A1 1/2019 Druker
 2019/0238729 A1 8/2019 Samuels
 2019/0258142 A1 8/2019 Liu
 2019/0281197 A1 9/2019 Woodman
 2019/0342473 A1 11/2019 Clearman
 2019/0342474 A1 11/2019 Woodman
 2019/0369466 A1 12/2019 Clearman
 2020/0159091 A1 5/2020 Nicholas
 2021/0173288 A1 6/2021 Nicholas

FOREIGN PATENT DOCUMENTS

CN 201796220 U 4/2011
 CN 202353622 U 7/2012
 CN 104871082 A 8/2015
 CN 105474089 4/2016
 CN 106164768 11/2016
 CN 106516141 A 3/2017
 CN 206579852 U 10/2017
 CN 109375454 2/2019
 CN 110426910 11/2019
 DE 202005004068 U1 6/2005
 DE 202013005239 7/2013
 DE 202014011346 8/2019
 EP 0845399 A2 6/1998
 EP 1653423 A1 5/2006
 EP 2464096 A1 6/2012

EP 2906993 8/2015
 EP 3025193 6/2016
 EP 3092527 11/2016
 GB 2018929 A 10/1979
 GB 2363028 A 12/2001
 GB 6006189 1/2017
 JP H05304625 A 11/1993
 JP 2004080256 A 3/2004
 JP 2004221775 A 8/2004
 JP 2005142671 A 6/2005
 JP 2008109364 A 5/2008
 JP 2011193209 A 9/2011
 WO 2004023795 A1 3/2004
 WO 2004081713 A2 9/2004
 WO 2005096760 A2 10/2005
 WO 2005098304 A1 10/2005
 WO 2007128317 A1 11/2007
 WO 2007130146 A1 11/2007
 WO 2010005975 A1 1/2010
 WO 2010005976 A1 1/2010
 WO 2013067340 5/2013
 WO 2014062360 A1 4/2014
 WO 2015013054 A1 1/2015
 WO 2015102888 A1 7/2015
 WO 2016053472 4/2016
 WO 2016064468 4/2016
 WO 2016073188 5/2016

OTHER PUBLICATIONS

‘GoPro Hero 3 Sports Wrist Camera Review,’ PaddleDogNation, 2006, 6 pages, [Online] [Retrieved on Aug. 8, 2007] Retrieved from the Internet<URL:http://paddledognation.com/Reviews/PaddlingGearReviews/He-ro3Ca...>.
 ‘Tekkno Trading Project—Brandnews,’ NSP, Jan. 2008, p. 59.
 “WoCase 360 Degree Panoramic Swiveling Glove Mount Hand Mount (Compatible with left handed) for GoPro HERO4 HERO3+3 2 1 Cameras (Rotary Mount, Retail Package, Gifting Ready),” Amazon.com, Jul. 11, 2013, 8 pages, [online] [retrieved on Feb. 22, 2020] Retrieved from the internet <URL:http://www.amazon.com/WoCase-Panoramic-Swiveling-Compatible-Cameras/dp/B00HMLYMHW/ref=pd_sim_sbs_421_1?ie=UTF8&dpID=51%2BoLD9jb2L&dpSrc=sims&preST=_AC_UL160_SR160%2C160_&refRID=097XMG8E8BDXQAJRSS0D>.
 Canon, ‘Wireless file Transmitter WFT-EF E,’ 2009, 132 pages, [Online] [Retrieved on Feb. 11, 2015] Retrieved from the Internet<URL:http://shuttersnitch.com/downloads/manuals/canon/wft-e5-en.pdf>.
 CheesyCam.com, ‘Remote LCD Live View + Remote Shutter for DSLR Video—Exciting!’, Jul. 16, 2010, 12 pages, [Online] [Retrieved on Feb. 11, 2015] Retrieved from the Internet<URL:http://cheesycam.com/remote-LCD-live-view-for-dslr-video-exciting/>.
 Chinese Office Action dated May 30, 2018 for CN Application No. 201480072371.9, (6 pages).
 Double male GoPro bar by eliotg Thingiverse. [online] Published on Jan. 16, 2016. Retrieved from URL:https://www.thingiverse.com/thing:1273246 (2 pages).
 European Search Report for European Patent Application No. EP 14876907.8, Jan. 10, 2017, 8 Pages.
 Fantaseal Action Camera Bike Mount Aluminum Alloy 2-Rail Saddle Bike Seat Mount for GoPro Pro Seat Rail Mount GoPro Bike Mount GoPro Bicycle Seat Rack Mount for GoPro Garmin Virb XE SJCAM DBPOWER-BK. Online, published date unknown. Retrieved on May 23, 2018 from URL: https://www.amazon.com/fantaseal-Action-Camera-Bi (1 page).
 File Inspection—DE 20 2013 005 239.2, (MAAS) Retrieved on Oct. 13, 2015 (Oct. 13, 2015) entire document, 4 Pages, [Online] retrieved from DPMAregister <URL:https://registerdpma.de/DPMAregister/pat/PatAkteneinsicht?akz=2020130052392>.
 Guarnera, M. et al., ‘Manet: Possible Applications with PDA in Wireless Imaging Environment’, IEEE International Symposium, Sep. 2002, vol. 7, pp. 2394-2398, vol. 5, pp. 15-18.

(56)

References Cited

OTHER PUBLICATIONS

<http://web.archive.org/web/20190503083635/http://www.fvshare.com:80/en/vitag> Note—wayback machine link may take extra time to load pictures May 3, 2019, 8 pages.

https://www.amazon.com/Adjust-Straight-Joints-HSU-Direction/dp/B01IQPD9DU/ref=sr_1_1?keywords=long+and+short+straight+joint+tripod+mount+adapter+for+GoPro+hero+5+4+3&qid=1582047554&sr=8-1, retrieved Feb. 22, 2020, 9 pages.

https://www.amazon.com/Fotasy-Aluminum-Folding-Release-Cameras/dp/B0058FJHR4/ref=sr_1_8?keywords=z+tripod+mount&qid=1582047698&sr=8-8, retrieved Feb. 22, 2020, 10 pages.

https://www.amazon.com/Tripod-Pistol-Cameras-Weighing-2-5lbs/dp/B0739YGN9M/ref=sr_1_1?keywords=Handheld+Grip+Mini+Tripod+Stand+for+DC+Digital+Camera+Camcorder&qid=1582047442&sr=8-1, Retrieved Feb. 22, 2020, 9 pages.

<https://www.youtube.com/watch?v=sOfMcPM5Xg4> (@7:08 mark), retrieved Feb. 22, 2020. No pdf attached. please see video at link. Huang, J., “Part 19—Oct. 21: Interbike Bits and Baubles,” Interbike Show, Las Vegas, Nevada, USA, Sep. 22-26, 2008, Cyclingnews.com, [Online] [Retrieved on Oct. 21, 2008] Retrieved from the Internet <URL: <http://www.cyclingnews.com/tech/2008/shows/interbike08/?i-d=result...>>. 3 pages.

iPhone X Outfitting it for Adventure. [online] Published on Nov. 29, 2017. Retrieved from URL: <https://explore.globalcreations.com/reviews/tools/outfitting-iphone-x-adventure/> (13 pages).

Instagram Account for “mygomount”, First post uploaded on Mar. 19, 2017, 3 Pages, [online] Retrieved on Jul. 25, 2017] Retrieved from the internet <URL: <https://www.instagram.com/mygomount/?hl=en>>.

International Search Report and Written Opinion for International Application No. PCT/US2014/046552, dated Aug. 18, 2014, 7 pages.

International Search Report for Application No. PCT/US2019/045281, dated Oct. 24, 2019, 10 pages.

Ion USA, ‘Wi-Fi PODZ,’ Date Unknown, 2 pages. [Online] [Retrieved Oct. 11, 2016] Retrieved from the internet <<https://usa.ioncamera.com/shop/wi-fi-podz/>>.

JP-05304625 A, 1993, 5 pages, (Machine Translation available from JPO website), [Online]. [Retrieved Dec. 14, 2014], Retrieved from the Internet < http://dossier1.ipdl.inpit.go.jp/cgi-bin/tran_web.cgi-e-jje?u=http%3A%2F%2Fdossier1%...>.

JP5-304625 English Machine Translation available from JPO website. 7 pages.

Non-Final Rejection for U.S. Appl. No. 13/665,594 dated Mar. 29, 2013, 25 Pages.

Non-Final Rejection for U.S. Appl. No. 12/498,890 dated Aug. 30, 2011, 31 Pages.

Norouznezhad, E. et al. “A High Resolution Smart Camera with GigE Vision Extension for Surveillance Applications,” Second ACM/IEEE International Conference on Distributed Smart Cameras, 2008, 8 pages.

Office Action for U.S. Appl. No. 14/521,458, dated Feb. 25, 2016, 13 Pages.

Office Action for U.S. Appl. No. 14/521,458, dated Jul. 28, 2015, 12 Pages.

PCT International Search Report and Written Opinion for PCT/US15/43958, dated Nov. 9, 2015, 14 Pages.

PCT International Search Report and Written Opinion for PCT/US15/45403, dated Nov. 19, 2015, 12 Pages.

PCT International Search Report and Written Opinion for PCT/US15/56478, dated Jan. 15, 2016, 9 Pages.

PCT International Search Report and Written Opinion for PCT/US2014/058465, dated Dec. 23, 2014, 17 pages.

PCT International Search Report and Written Opinion for PCT/US2014/070655, dated Apr. 29, 2015, 13 pages.

PCT International Search Report and Written Opinion for PCT/US2015/028377, dated Jul. 24, 2015, 16 Pages.

PCT International Search Report and Written Opinion, PCT Application No. PCT/US2009/049821, dated Sep. 3, 2009, 8 pages.

PCT International Search Report and Written Opinion, PCT/US2012/063304, dated Jan. 22, 2013, 7 Pages.

PCT International Search Report for Written Opinion for PCT/US2013/062061, dated Mar. 3, 2014, 15 Pages.

Pro Camera Bracket Integrated Mount. Online, published date unknown. Retrieved on May 23, 2018 from URL: <https://www.annaincycling.com/pro-camera-bracket-integrated-mount-black-17-pro-saddle-compatible-prac0129/p612468> (1 page).

Pro Standard, “The Grill Mount Multi-Function Mouth Mount,” Date unknown, 8 Pages, [online] Retrieved on Jul. 25, 2017] Retrieved from the internet <URL: <https://www.prostandard.com/collections/pro-standard/products/the-grill-mount?variant=7683423299>>.

Re-Fuel, ‘24hr Action Pack Battery for GoPro Hero4, Hero3+ & Hero3,’ Date Unknown, 5 pages. [Online] [Retrieved Oct. 11, 2016] Retrieved from the internet <<https://re-fuel.com/action-packs/24hr-action-battery-pack.html>>.

Spypoint Xcel Action Camera Adhesive Mount XHD-AM. Online, published date unknown. Retrieved on May 14, 2020 from URL: <https://www.opticsplanet.com/spy-point-xcel-action-camera-adhesive-mount.html>, 1 page.

Sun, X. et al. “Region of Interest Extraction and Virtual Camera Control Based on Panoramic Video Capturing,” IEEE Transactions on Multimedia, 2005, pp. 981-990, vol. 7, issue 5.

Supplementary European Search Report for European Patent Application No. EP 14829354, dated Aug. 16, 2016, 6 Pages.

United States Advisory Action, U.S. Appl. No. 14/521,458, dated Aug. 12, 2016, two pages.

United States Advisory Action, U.S. Appl. No. 14/521,458, dated Jun. 20, 2016, four pages.

United States Advisory Action, U.S. Appl. No. 14/947,766, dated Aug. 29, 2016, three pages.

United States Office Action for U.S. Appl. No. 14/148,536, dated Jul. 9, 2014, 9 pages, cited by applicant.

United States Office Action for U.S. Appl. No. 14/536,683, dated Dec. 18, 2014, 14 Pages.

United States Office Action for U.S. Appl. No. 14/536,683, dated Jun. 9, 2015, 16 pages.

United States Office Action for U.S. Appl. No. 14/536,683, dated Sep. 21, 2015. 15 Pages.

United States Office Action for U.S. Appl. No. 13/666,807, dated Oct. 6, 2014, 11 pages.

United States Office Action for U.S. Appl. No. 14/149,502, dated Jul. 9, 2014, 8 pages.

United States Office Action for U.S. Appl. No. 14/495,673, dated Jan. 28, 2015, 16 pages.

United States Office Action for U.S. Appl. No. 14/495,673, dated Mar. 24, 2015, 15 pages.

United States Office Action for U.S. Appl. No. 14/495,673, dated Nov. 7, 2014, 16 pages.

United States Office Action for U.S. Appl. No. 14/604,118, dated Apr. 14, 2015, 11 pages.

United States Office Action, U.S. Appl. No. 14/459,650, dated Jun. 10, 2015, 7 pages.

United States Office Action, U.S. Appl. No. 14/132,554, dated Apr. 24, 2015, 13 pages.

United States Office Action, U.S. Appl. No. 14/132,554, dated Dec. 3, 2015, 28 pages.

United States Office Action, U.S. Appl. No. 14/132,554, dated Feb. 26, 2016, 31 pages.

United States Office Action, U.S. Appl. No. 14/854,040, dated Feb. 4, 2016, 7 pages.

United States Office Action, U.S. Appl. No. 14/521,458, dated Feb. 25, 2016, 13 pages.

United States Office Action, U.S. Appl. No. 14/521,458, dated Jul. 28, 2015, 12 pages.

United States Office Action, U.S. Appl. No. 14/521,458, dated Sep. 20, 2016, 16 pages.

United States Office Action, U.S. Appl. No. 14/606,018, dated Dec. 2, 2016, 19 pages.

United States Office Action, U.S. Appl. No. 14/606,018, dated Jan. 13, 2016, 16 pages.

(56)

References Cited

OTHER PUBLICATIONS

United States Office Action, U.S. Appl. No. 14/606,018, dated Jul. 15, 2016, 21 pages.
United States Office Action, U.S. Appl. No. 14/606,018, dated Jun. 2, 2016, 19 pages.
United States Office Action, U.S. Appl. No. 14/947,766, dated Apr. 21, 2016, 13 pages.
United States Office Action, U.S. Appl. No. 14/947,766, dated Aug. 16, 2016, six pages.
United States Office Action, U.S. Appl. No. 14/947,766, dated Nov. 9, 2016, 11 pages.
United States Office Action, U.S. Appl. No. 15/180,535, dated Jan. 17, 2017, 12 pages.
United States Office Action, U.S. Appl. No. 15/187,708, dated Oct. 7, 2016, 13 pages.
URL:<http://www.fvshare.com/en/viltag>, retrieved on Feb. 22, 2020, 8 pages.
Design U.S. Appl. No. 29/661,818, filed Aug. 31, 2018, 75 pages.
Design U.S. Appl. No. 29/694,559, filed Jun. 11, 2019, 25 pages.
Design U.S. Appl. No. 29/706,013, filed Sep. 17, 2019, 93 pages.
U.S. Appl. No. 16/697,947, filed Nov. 27, 2019, 73 pages.

Vixen Polarie Star Tracker Review. [online] Published date Mar. 22, 2013. Retrieved on Oct. 25, 2016 from <URL: <https://www.ephotozine.com/article/vixen-polarie-star-tracker-review-21516>> 6 pages.
Volk, W., 'Go Pro's Digital Hero Camera,' Divester, Posted Dec. 5, 2008, [Online] [Retrieved on Sep. 16, 2009] Retrieved from the Internet<URL:<http://www.divester.com/2006/12/05/go-pro-digital-hero-camera/>>. 3 pages.
YourDealer, 'Aputure Gigtube Digital Screen Remote Viewfinder gives you more remote control with most DSLRs,' 2009 Deals-World.com, Apr. 11, 2010, 3 pages, [Online] [Retrieved on Feb. 11, 2015] Retrieved from the Internet <URL:<http://www.deals-world.com/deals/2010/04/11/aputure-gigtube-digital-screen-remote-viewfinder-gives-you-more-remote-control-with-most-dslrs/>, Apr. 11, 2010.
youtube.com, Video for 'The Air Pro Wi-Fi Podz,' Aug. 18, 2014, one page, [Online] [Retrieved Oct. 11, 2016] Can be retrieved from the internet <URL:<https://www.youtube.com/watch?v=YpWZ44aCdGA>>.
youtube.com, Video for 'The WiFi PODZ Tutorial,' Jun. 15, 2012, two pages. [Online] [Retrieved Oct. 11, 2016] Can be retrieved from the internet <URL:<https://www.youtube.com/watch?v=kGGwGobzQBg>>.
Design U.S. Appl. No. 29/661,819, filed Aug. 31, 2018, 77 pages.
Design U.S. Appl. No. 29/681,087, filed Feb. 22, 2019, 38 pages.

* cited by examiner

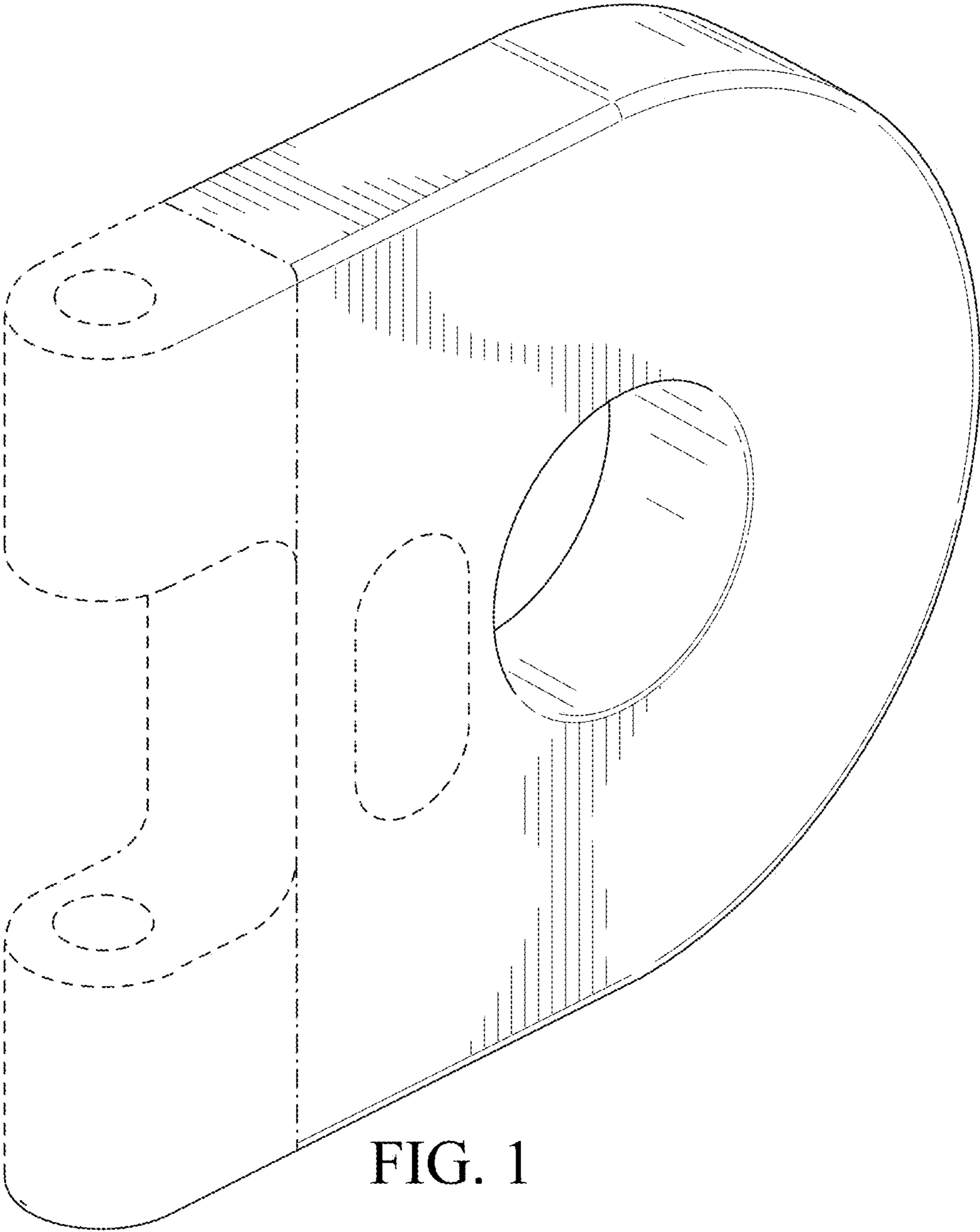


FIG. 1

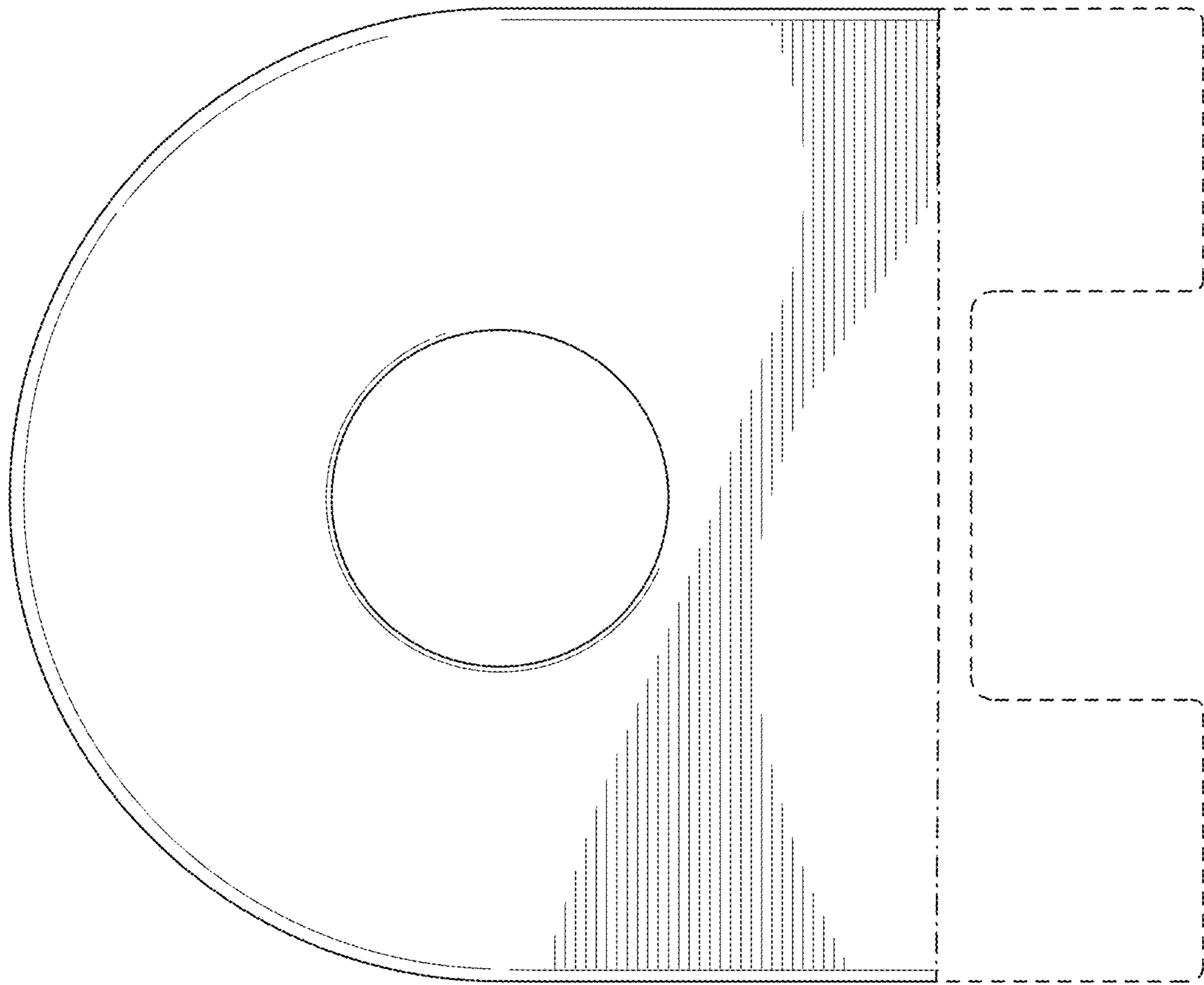


FIG. 2

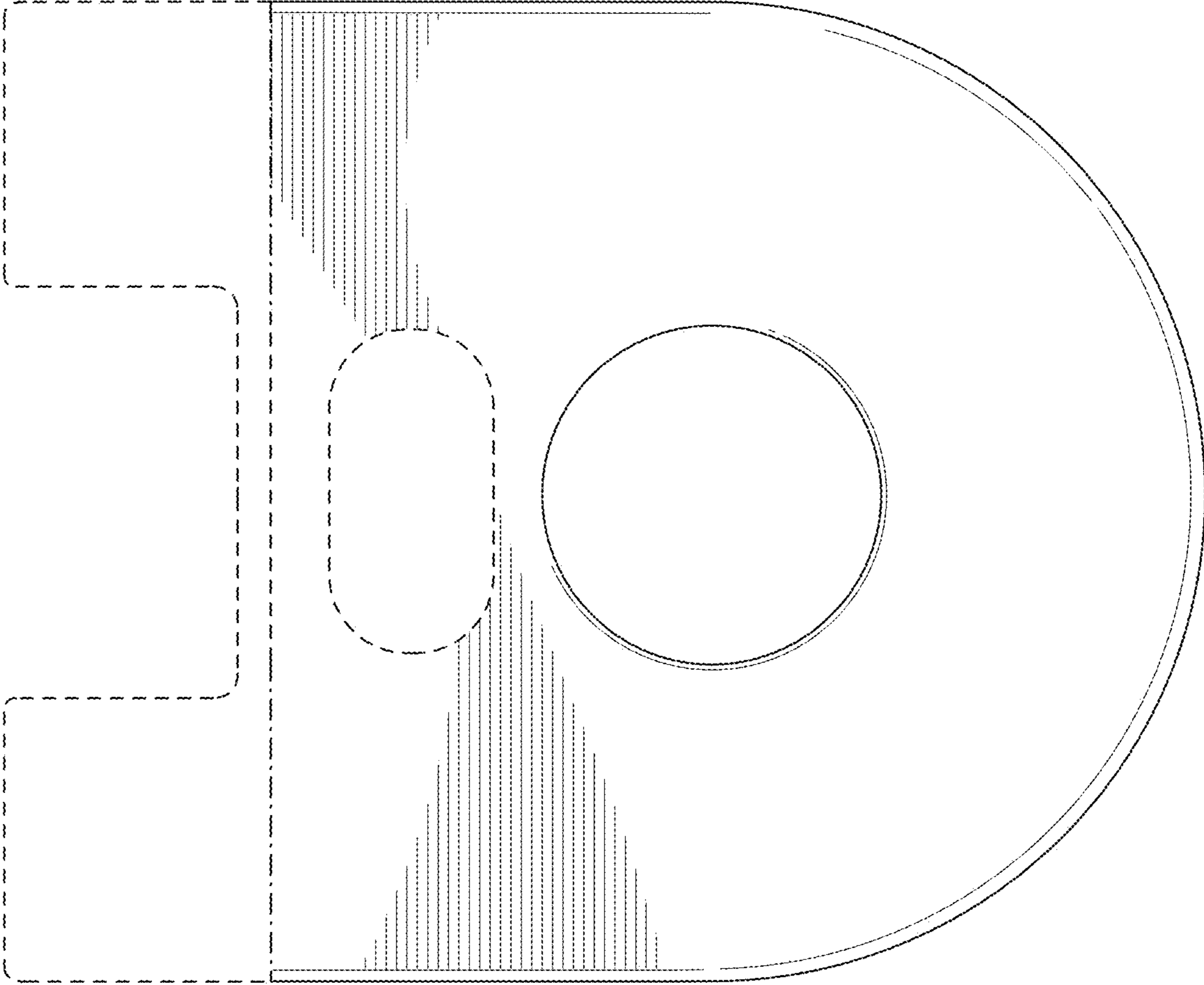


FIG. 3

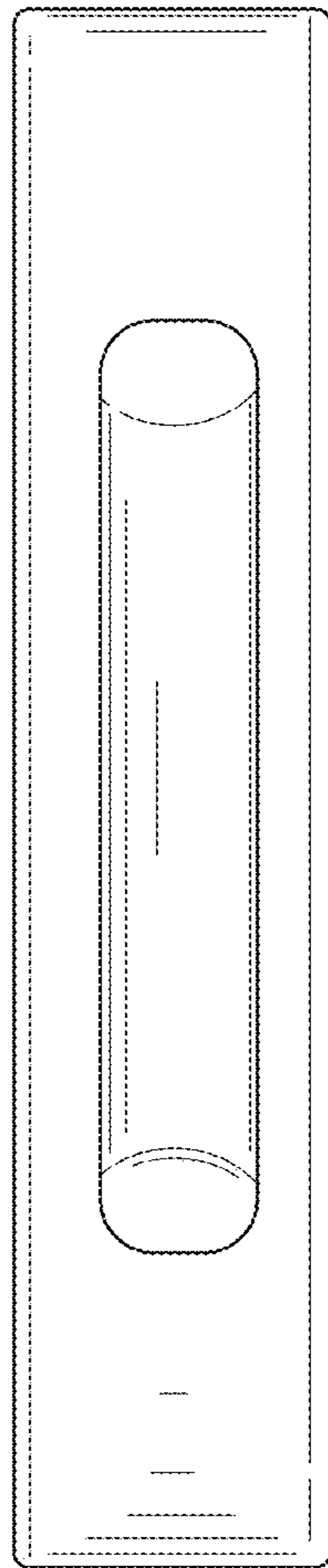


FIG. 4

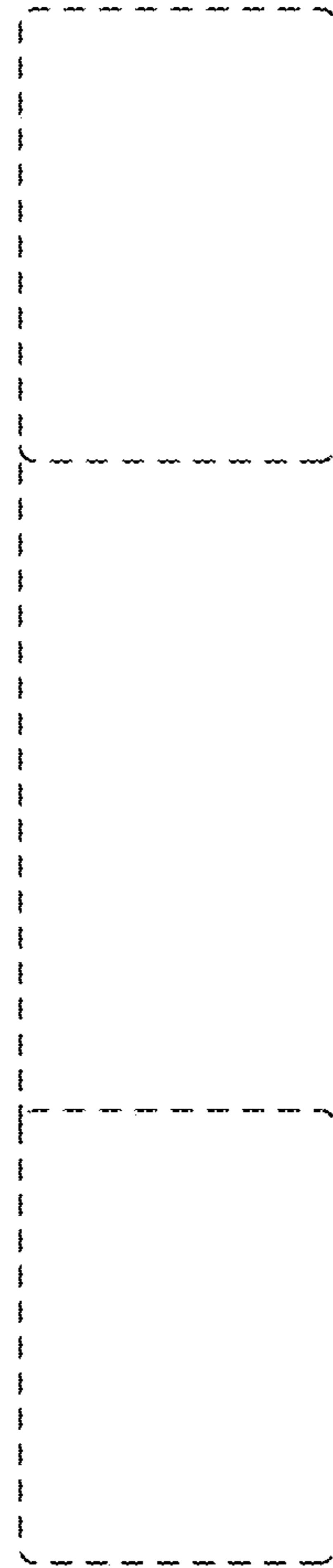


FIG. 5

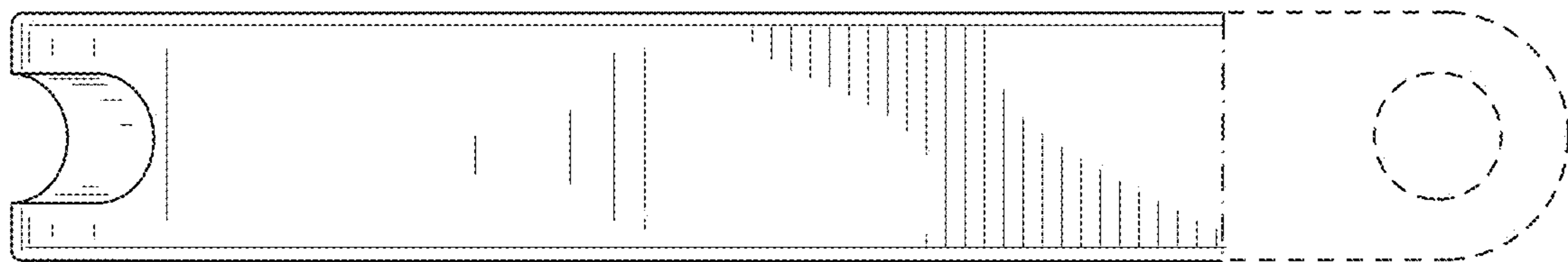


FIG. 6

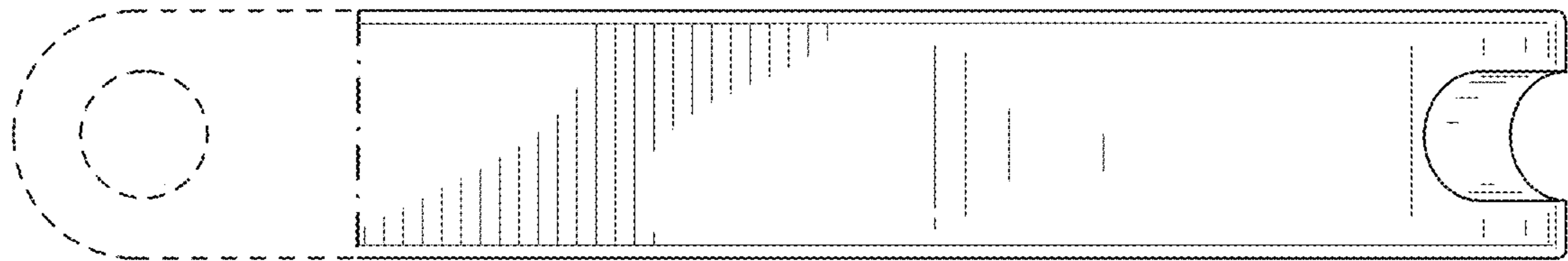


FIG. 7