



US00D989164S

(12) **United States Design Patent** (10) **Patent No.:** **US D989,164 S**  
**Bergman et al.** (45) **Date of Patent:** **\*\* Jun. 13, 2023**

(54) **CAMERA MOUNT**

(56)

**References Cited**

(71) Applicant: **GoPro, Inc.**, San Mateo, CA (US)

U.S. PATENT DOCUMENTS

(72) Inventors: **Senka Agic Bergman**, Montara, CA (US); **Arthur Charles Kwun**, Newark, CA (US); **Huy Phuong Nguyen**, San Mateo, CA (US); **Eric McCallister Bennett**, Foster City, CA (US); **Nicholas D. Woodman**, Big Sky, MT (US); **Joshua T. Druker**, Redwood City, CA (US); **Travis Pynn**, Moss Beach, CA (US)

D209,013	S	10/1967	McElroy
3,508,482	A	4/1970	Taylor
4,091,402	A	5/1978	Siegel
4,208,028	A	6/1980	Brown
4,733,259	A	3/1988	Ng
D349,717	S	8/1994	Akaike
5,384,609	A	1/1995	Ogawa
5,400,234	A	3/1995	Yu
D366,887	S	2/1996	Wood
D372,189	S	7/1996	Andis
D373,947	S	9/1996	Parduhn
D395,996	S	7/1998	Fischer
D399,230	S	10/1998	Tenne
5,842,069	A	11/1998	Konno
5,887,375	A	3/1999	Watson
6,315,180	B1	11/2001	Watkins
D458,998	S	6/2002	Tolan
6,654,235	B2	11/2003	Imsand
D483,789	S	12/2003	Dordick
D506,493	S	6/2005	Naito
D515,613	S	2/2006	Holmes
D532,436	S	11/2006	Kruse
D533,578	S	12/2006	Oka
D577,729	S	9/2008	Derry et al.
D577,731	S	9/2008	Altonji
D582,559	S	12/2008	Khawaled
7,494,291	B2	2/2009	Saxton
D602,974	S	10/2009	Zen
D616,286	S	5/2010	Foresman
D631,081	S	1/2011	Richter
D635,445	S	4/2011	Foresman
8,014,656	B2	9/2011	Woodman
D649,576	S	11/2011	Jannard
8,199,251	B2	6/2012	Woodman
8,325,270	B2	12/2012	Woodman
D675,661	S	2/2013	Jannard
D685,379	S	7/2013	Richter
D697,570	S	1/2014	Samuels
D704,486	S	5/2014	Cho
D710,927	S	8/2014	Eynav
D713,531	S	9/2014	Way
D717,360	S	11/2014	Chun
D719,266	S	12/2014	Goldstein
D721,438	S	1/2015	Layzell
D722,864	S	2/2015	Greenthal
D722,865	S	2/2015	Greenthal
D724,722	S *	3/2015	Miyano ..... D24/152
9,004,783	B1	4/2015	Woodman
9,033,596	B2	5/2015	Samuels

(73) Assignee: **GoPro, Inc.**, San Mateo, CA (US)

(\*\*) Term: **15 Years**

(21) Appl. No.: **29/752,253**

(22) Filed: **Sep. 25, 2020**

**Related U.S. Application Data**

(60) Continuation of application No. 29/726,070, filed on Feb. 28, 2020, now Pat. No. Des. 897,416, which is a continuation of application No. 29/651,260, filed on Dec. 19, 2018, now Pat. No. Des. 880,570, which is a division of application No. 29/607,455, filed on Jun. 13, 2017, now Pat. No. Des. 841,722.

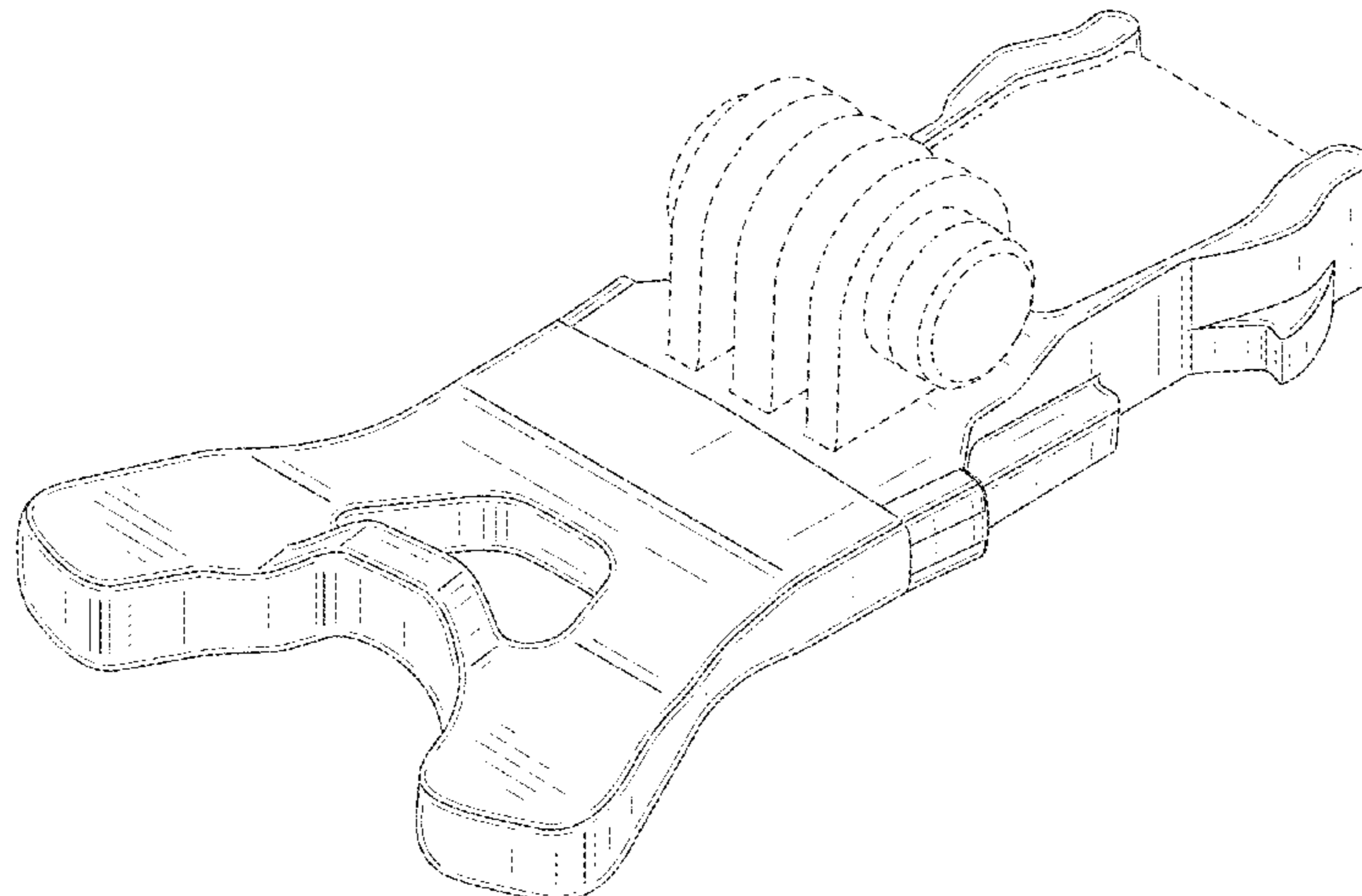
(51) **LOC (14) Cl.** ..... **16-05**

(52) **U.S. Cl.**  
 USPC ..... **D16/242**

(58) **Field of Classification Search**

USPC ..... D16/242, 237-241, 243-250; D24/127, D24/128, 136, 137, 141, 143, 152-154  
 CPC ..... A45F 5/00; A45F 5/10; F16M 11/06-10; G02B 7/00-002; H01Q 1/12; H01Q 1/14; H01Q 1/1228; A61B 6/4452; A61B 6/4458; A61B 6/4464; A61B 6/447

See application file for complete search history.





GoPro Shorty Mini Extension Pole Tripod, product available Sep. 14, 2017 [online], pictured review Nov. 12, 2017 [online], [site visited Mar. 15, 2022]: URL: <[https://www.amazon.com/gp/product/B0755G21GJ/ref=ox\\_sc\\_act\\_title\\_1?smid=A133NNBZBDZH7R&psc=1?>](https://www.amazon.com/gp/product/B0755G21GJ/ref=ox_sc_act_title_1?smid=A133NNBZBDZH7R&psc=1?>) (Year: 2017).

Gopro, Inc., 'Grab Bag of Mounts,' 2014, 2 Pages, [online][Archived on webarchive.org on Mar. 29, 2014] [Retrieved on Aug. 31, 2015] Retrieved from the internet <URL: <https://web.archive.org/web/20140329112413/http://gopro.com/camera-mounts/grab-bag-of-mounts#features>>. 2 pages.

GoPro: Introducing 3-Way Grip, video review Jun. 2, 2014 [online], [site visited May 26, 2022]: URL: <<https://www.youtube.com/watch?v=2ZUCq3CNJNY>> (Year: 2014).

HSU Basic Adapter Grab Bag for GoPro, product available Jan. 4, 2022 [online], no video/pictured review available [online], [site visited Mar. 15, 2022]: URL: <[https://www.amazon.com/gp/product/B09PMTWH6F/ref=sw\\_img\\_1?smid=ACSWHASORUSKH&psc=1](https://www.amazon.com/gp/product/B09PMTWH6F/ref=sw_img_1?smid=ACSWHASORUSKH&psc=1)> (Year: 2022).

<https://www.youtube.com/watch?v=2ZUCq3CNJNY>, Posted Jun. 2, 2014.

<https://www.youtube.com/watch?v=ShPBMUaeWxY>, Posted Aug. 21, 2014.

J-Hook Buckle Mount Quick Release Buckle 360° Rotation. [online] Published Apr. 17, 2014. Retrieved Apr. 24, 2018 from URL: [https://www.miniinthebox.com/p/telesin-360-degree-rotary-j-shape-fast-assembling-mount-buckle-for-gopro-hd-hero-2-3-3\\_p1278233.html](https://www.miniinthebox.com/p/telesin-360-degree-rotary-j-shape-fast-assembling-mount-buckle-for-gopro-hd-hero-2-3-3_p1278233.html), 8 pages.

New Gopro Accessories Surfing Skating Shoot Dummy Bite Mouth Mount for Gopro Hero 4S/4/3+/3/2/1 Sport Camera Accessories. [online] Retrieved Sep. 27, 2016 from URL: <<https://www.aliexpress.com/item/NewGoproAccessoriesSurfingSkatingShootDummyBiteMouthMountForGoproHero4S43/32664455091.html>>.

Non-Final Office Action for U.S. Appl. No. 14/656,734, dated May 12, 2015, 30 Pages.

Non-Final Office Action for U.S. Appl. No. 14/054,640, dated Nov. 14, 2014, 17 Pages.

Non-Final Office Action for U.S. Appl. No. 14/926,321, dated Nov. 18, 2015, 13 Pages.

Office Action for Chinese Patent Application No. CN 201480056707. 2, dated Nov. 15, 2016, 19 pages.

Office Action for Chinese Patent Application No. CN201480056707. 2, dated Aug. 1, 2017, 23 Pages, (With English Translation).

PCT International Search Report and Written Opinion for PCT/US2014/058465, dated Dec. 23, 2014, 17 pages.

PCT International Search Report for Written Opinion for PCT/US2013/062061, dated Mar. 3, 2014, 15 Pages.

PGYTECH MantisPod Pro Vlogging Tripod, product availability unknown [online], video review Sep. 1, 2021 [online], [site visited Mar. 15, 2022]: URL: <<https://www.jbhifi.com.au/products/pgytech-mantis-pod-pro-vlogging-tripod?view=pdp>> (Year: 2021).

Polaroid 2x Vertical Surface J-hook Buckle Mount for GoPro HERO4, 3+ and 3 Cameras, [online] Retrieved May 16, 2017 from URL: <<https://www.adorama.com/ipdgp2jhb.html>> 4 pages.

Polaroid Quick Release Buckle Mount for GoPro HERO4, 3+ and 3 Cameras, 2 Pack, [online] Retrieved May 16, 2017 from URL:

<<https://www.adorama.com/ipdgp2bm.html?gclid=CNnnhlHc9NMCFRGHswodKWQCeg>> 4 pages.

Session Quick Release Buckle, [online] Published on Jan. 8, 2017. Retrieved Apr. 24, 2018 from URL: <http://wetgill.com/?p=Product&id=703>, 2 pages.

Soonsun 4-in-1 Floating Selfie Stick for GoPro Hero, product available Sep. 29, 2021 [online], pictured review Oct. 23, 2021 [online], [site visited Mar. 15, 2022]: URL: <[https://www.amazon.com/gp/product/B09HG939V2/ref=sw\\_img\\_1?smid=AX3NEPOQADTLB&psc=1](https://www.amazon.com/gp/product/B09HG939V2/ref=sw_img_1?smid=AX3NEPOQADTLB&psc=1)> (Year: 2021).

Taisioner Mini Selfie Stick Tripod, product available Mar. 15, 2019 [online], pictured review Nov. 14, 2019 [online], [site visited Mar. 15, 2022]: URL: <[https://www.amazon.com/gp/product/B07PMQVSK2/ref=sw\\_img\\_1?smid=A3NQN20WAVKMYQ&psc=1](https://www.amazon.com/gp/product/B07PMQVSK2/ref=sw_img_1?smid=A3NQN20WAVKMYQ&psc=1)> (Year: 2019).

United States Office Action, U.S. Appl. No. 15/155,336, dated Jul. 15, 2016, 12 pages.

United States Office Action, U.S. Appl. No. 15/155,336, dated Oct. 14, 2016, eight pages.

GoPro Bite Mount & Floaty . [online] Published on Oct. 4, 2017. Retrieved Apr. 24, 2018 from URL: <https://shop.gopro.com/mounts/bite-mount-plus-floaty/ASLBM-001.html>, 2 pages.

Surfing Dummy Bite Mouth Gum Grill Mount for GoPro. [online] Published Jan. 21, 2017. Retrieved Apr. 24, 2018 from URL: <https://www.walrnat.com/ip/Surfing-Dummy-Bite-Mouth-Gum-Grill-Mount-for-GoPro-Hero-4-3-3-2/281185292>, 6 pages.

\* cited by examiner

Primary Examiner — Richard Kearney

Assistant Examiner — Benjamin M Weeks

(74) Attorney, Agent, or Firm — Young Basile Hanlon & MacFarlane, P.C.

(57) CLAIM

The ornamental design for a camera mount, as shown and described.

DESCRIPTION

FIG. 1 is a top, rear, left perspective view of a camera mount. FIG. 2 is a top plan view of the camera mount shown in FIG. 1.

FIG. 3 is a left elevation view of the camera mount shown in FIG. 1.

FIG. 4 is a right elevation view of the camera mount shown in FIG. 1.

FIG. 5 is a rear elevation view of the camera mount shown in FIG. 1; and,

FIG. 6 is a front elevation view of the camera mount shown in FIG. 1.

Broken lines of equal length represent portions of the camera mount and form no part of the claimed design.

1 Claim, 6 Drawing Sheets

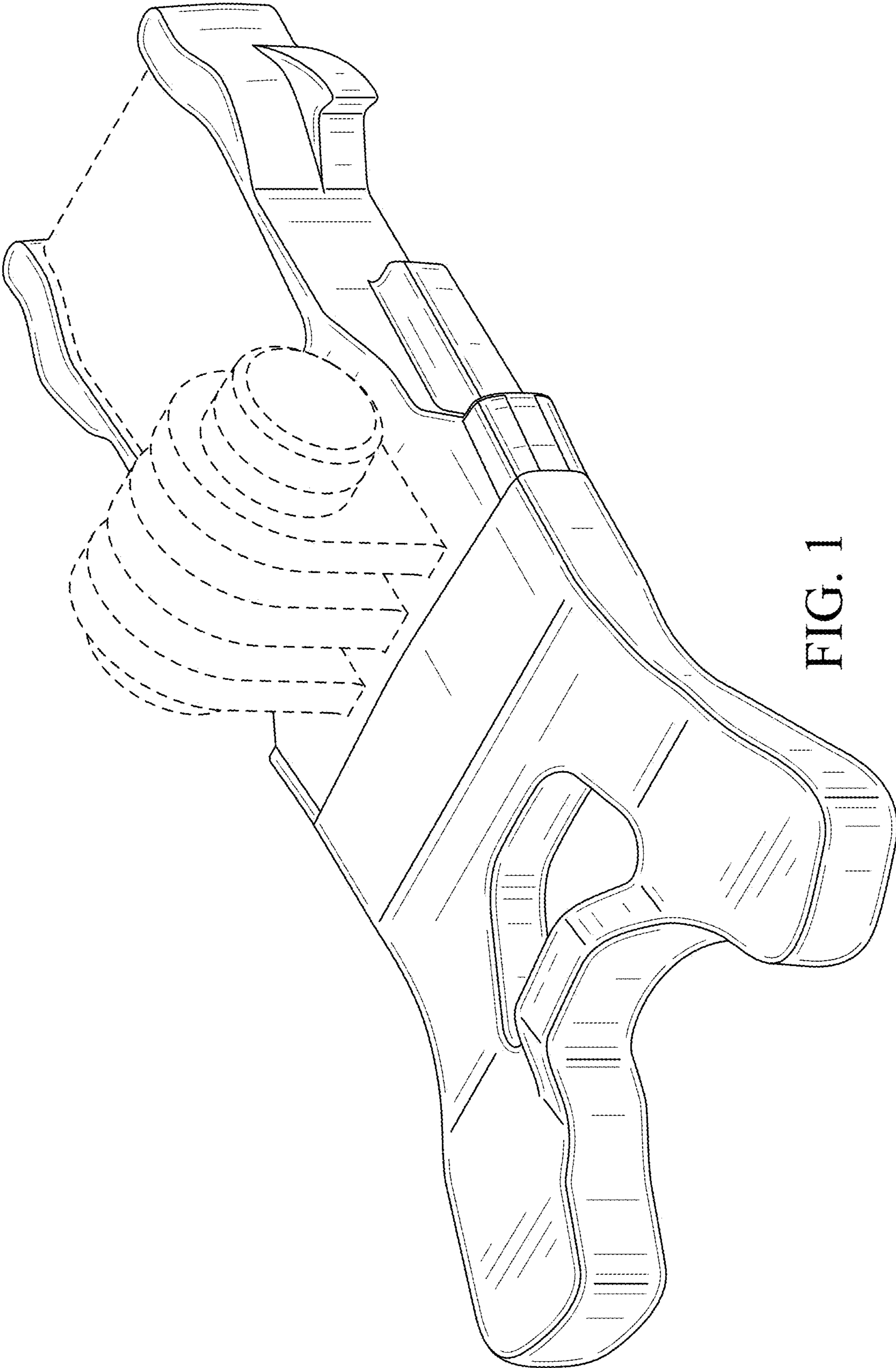


FIG. 1

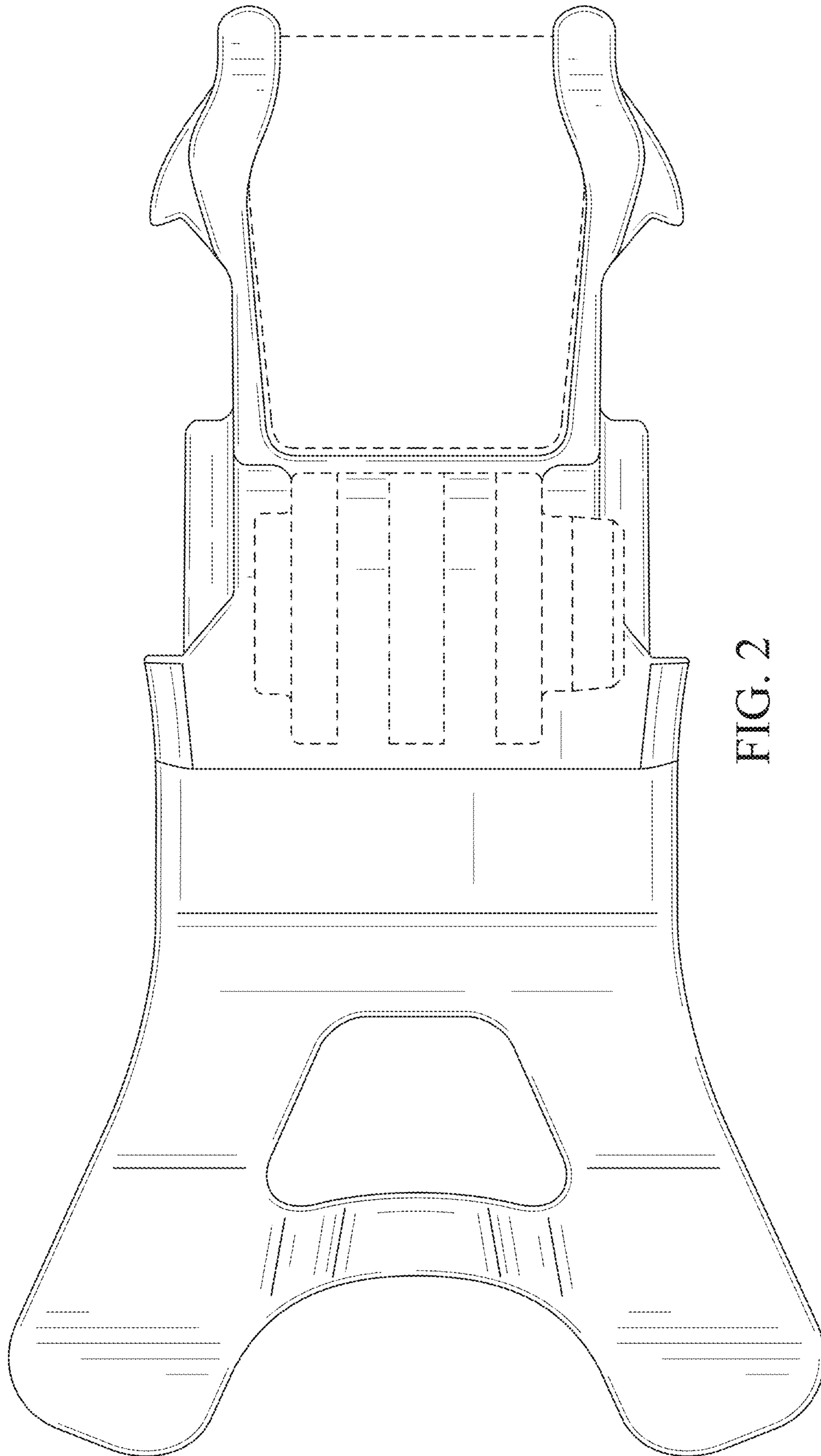


FIG. 2

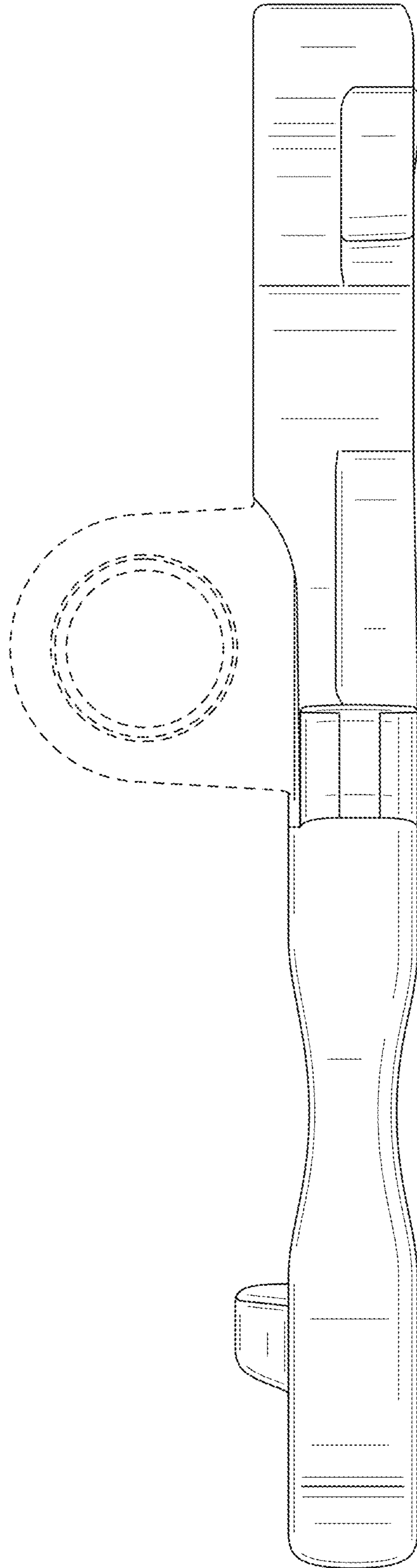


FIG. 3

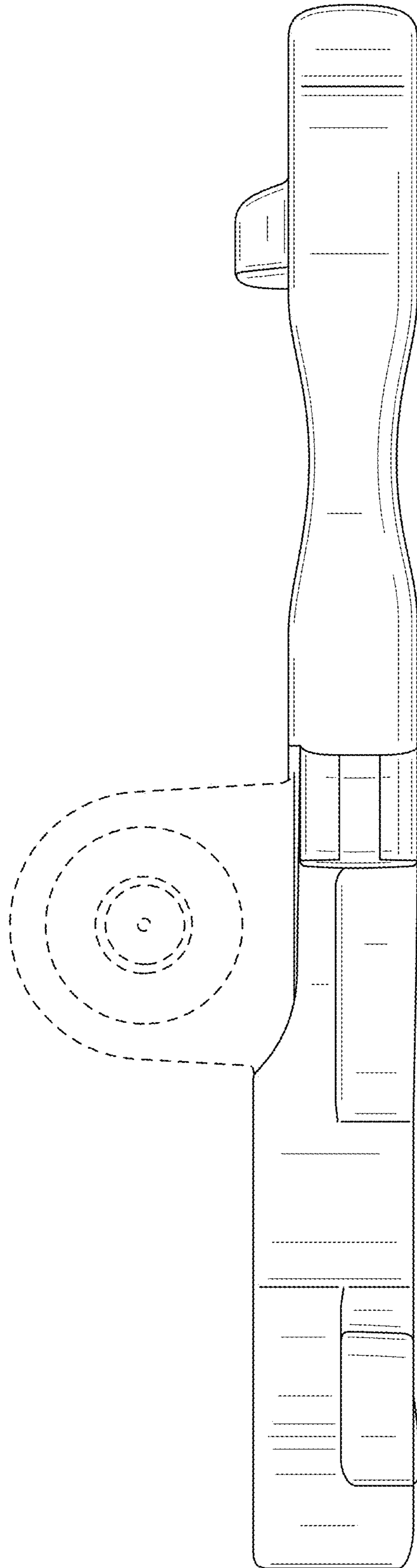


FIG. 4

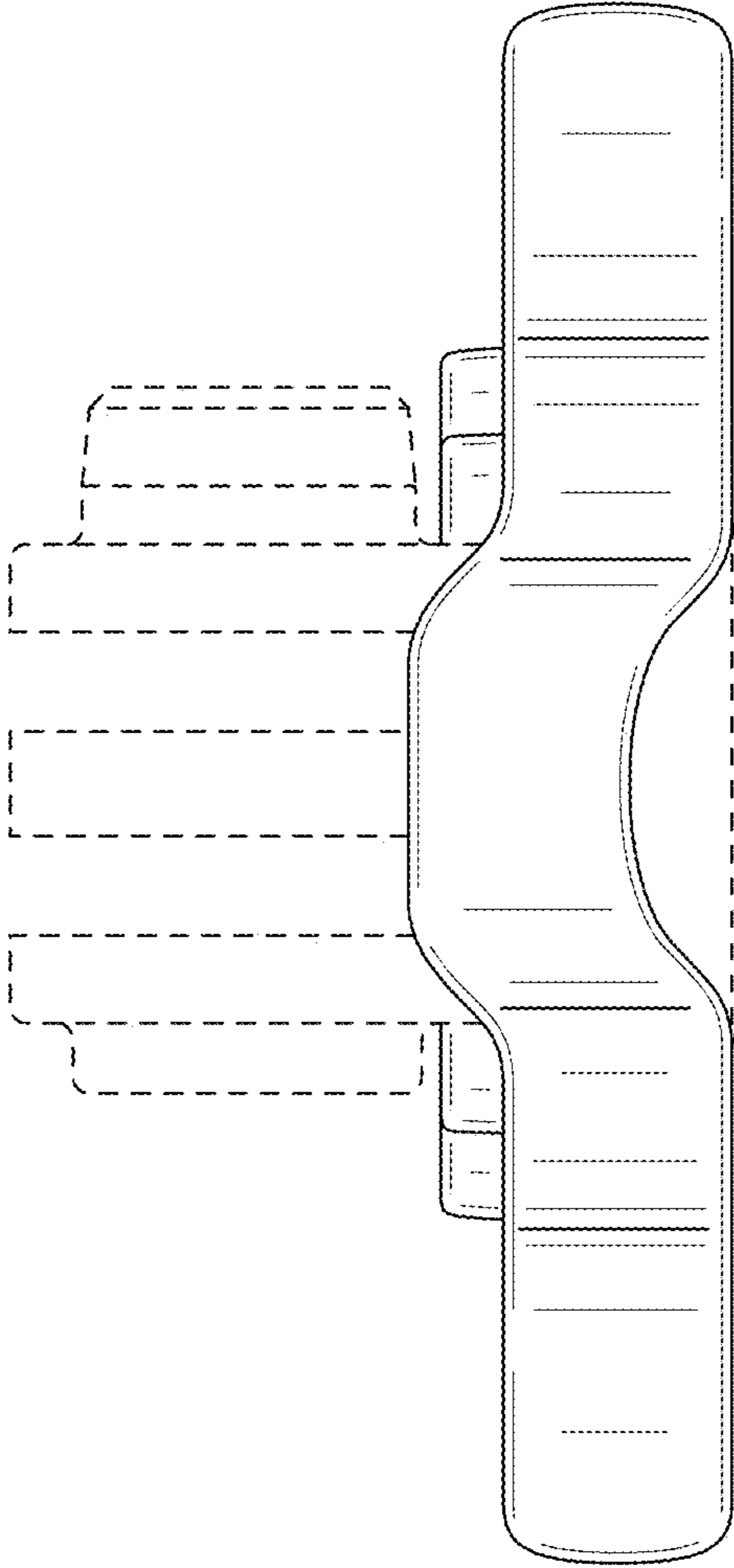


FIG. 5



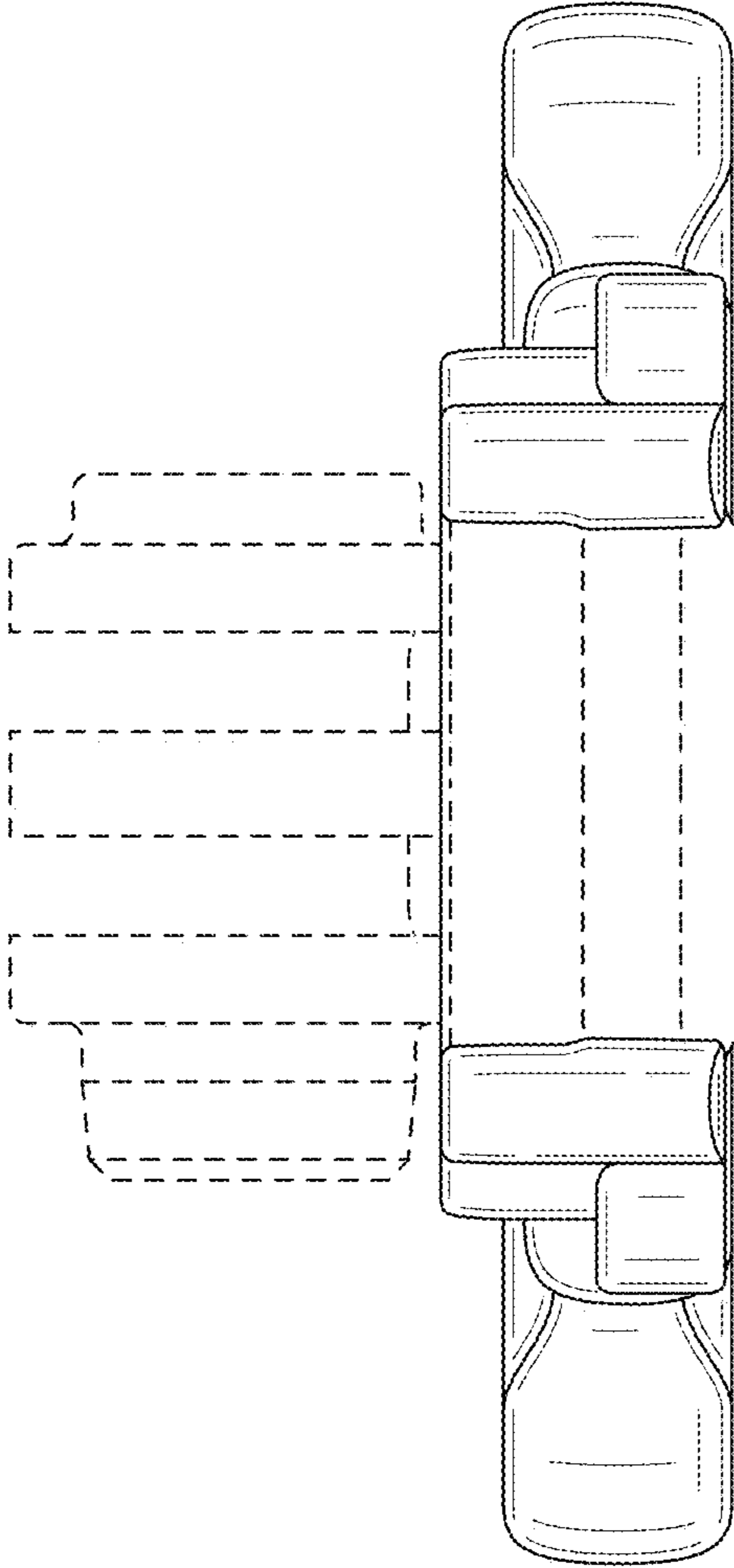


FIG. 6