



US00D989163S

(12) **United States Design Patent**
Xia et al.

(10) **Patent No.:** **US D989,163 S**
(45) **Date of Patent:** **** Jun. 13, 2023**

(54) **FLASHLAMP FOR PHOTOGRAPHY**

(71) Applicant: **Shenzhen Xingyingda Industry Co., Ltd.**, Shenzhen (CN)

(72) Inventors: **Liang Xia**, Shenzhen (CN); **Jun Wang**, Shenzhen (CN); **Yan Ke**, Shenzhen (CN)

(73) Assignee: **Shenzhen Xingyingda Industry Co., Ltd.**, Shenzhen (CN)

(**) Term: **15 Years**

(21) Appl. No.: **29/858,030**

(22) Filed: **Oct. 27, 2022**

Related U.S. Application Data

(62) Division of application No. 29/840,880, filed on Jun. 1, 2022, now Pat. No. Des. 971,299.

(51) **LOC (14) Cl.** **16-05**

(52) **U.S. Cl.**
USPC **D16/240**

(58) **Field of Classification Search**
USPC D16/202, 208–209, 219, 237–240
CPC G03B 17/02; G03B 17/56; G03B 17/04;
G03B 17/561–566; G03B 15/03; H04N
5/2251; H04N 5/2252; H04N 5/2253;
H04N 5/2254; G02B 7/02; G02B 7/04;
G02B 7/14
See application file for complete search history.

(56) **References Cited**

U.S. PATENT DOCUMENTS

D696,711 S * 12/2013 Takahashi D16/240
D708,251 S * 7/2014 Chen D16/240

D714,375 S * 9/2014 Ozone D16/239
D718,363 S * 11/2014 Yamauchi D16/239
9,876,961 B2 * 1/2018 Kojima G03B 15/05
9,921,457 B2 * 3/2018 Okano G03B 15/05
D855,683 S * 8/2019 Sakai D16/239
D866,646 S * 11/2019 Liu D16/239
D923,683 S * 6/2021 Ke D16/239
D927,584 S * 8/2021 Chen D26/51
D943,658 S * 2/2022 Ke D16/237
D970,594 S * 11/2022 Wang D16/240

* cited by examiner

Primary Examiner — Ramzi Almatrahi

(74) *Attorney, Agent, or Firm* — Westbridge IP LLC

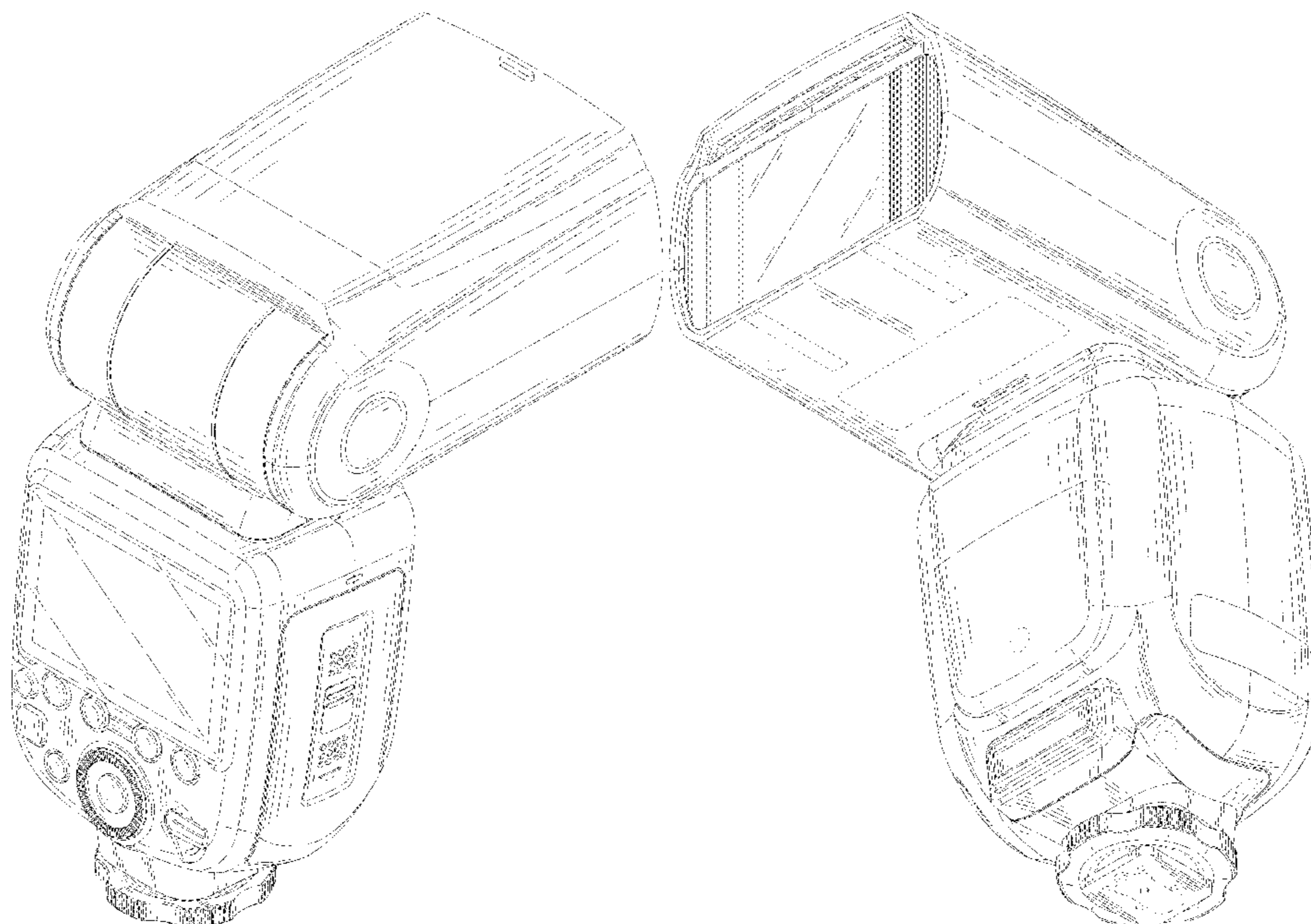
(57) **CLAIM**

The ornamental design for a flashlamp for photography, as shown and described.

DESCRIPTION

FIG. 1 is a front perspective view of a flashlamp for photography showing our new design; FIG. 2 is a rear perspective view thereof; FIG. 3 is a front elevation view thereof; FIG. 4 is a rear elevation view thereof; FIG. 5 is a left side elevation view thereof; FIG. 6 is a right side elevation view thereof; FIG. 7 is a top plan view thereof; and, FIG. 8 is a bottom plan view thereof. The dash-dash broken lines in the drawings depict the portions of the flashlamp for photography which form no part of the claimed design.

1 Claim, 8 Drawing Sheets



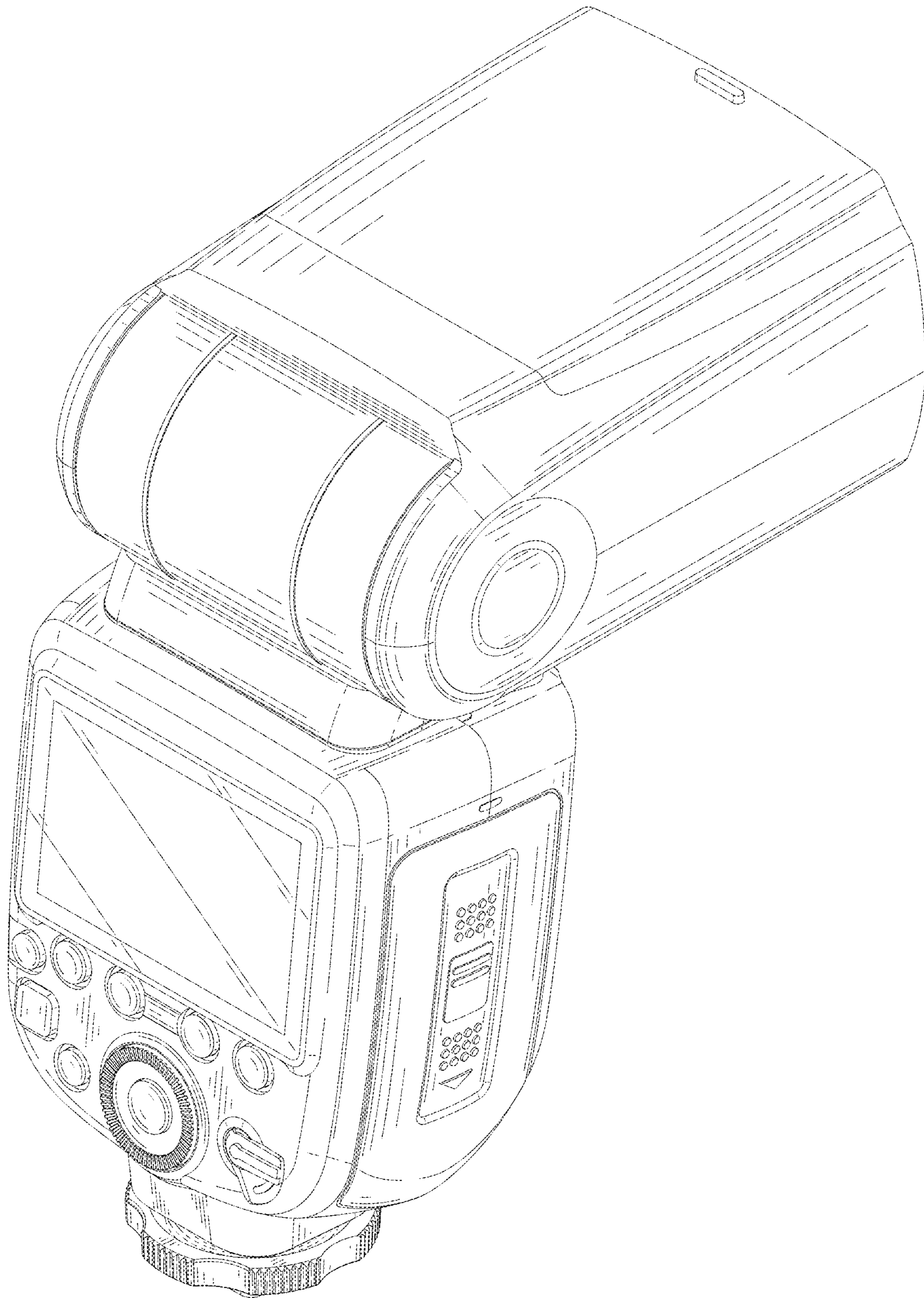


FIG. 1

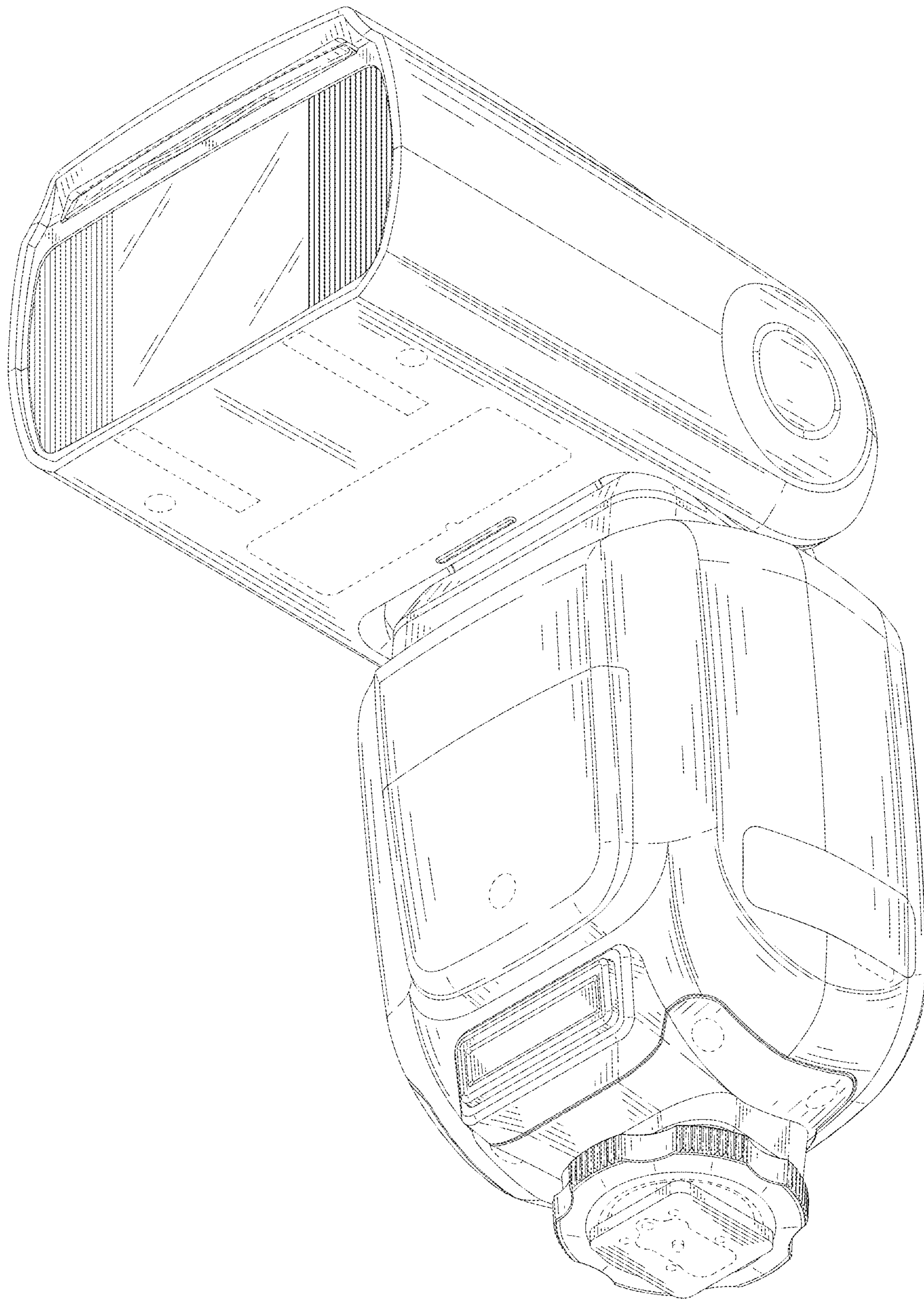


FIG. 2

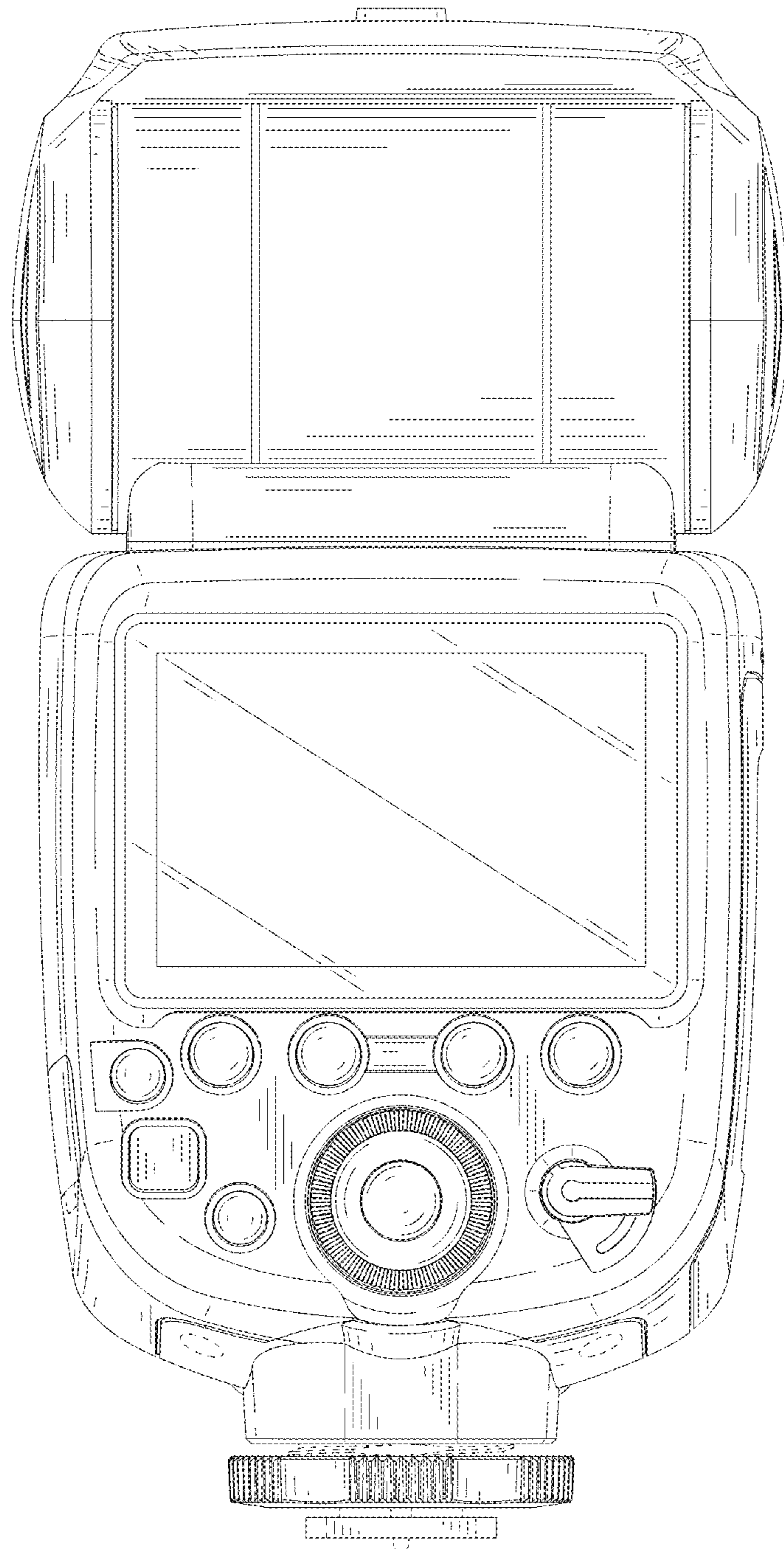


FIG. 3

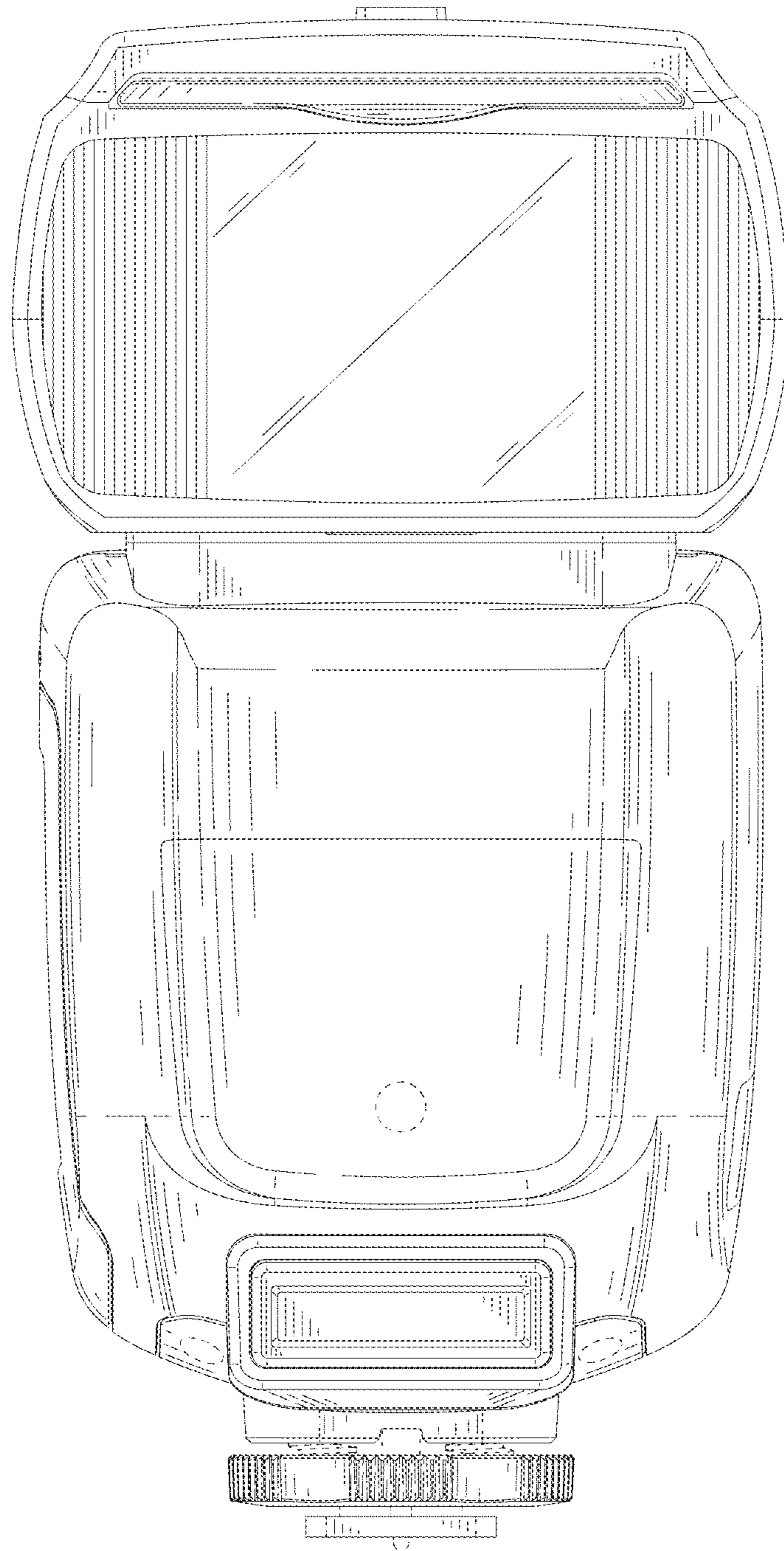


FIG. 4

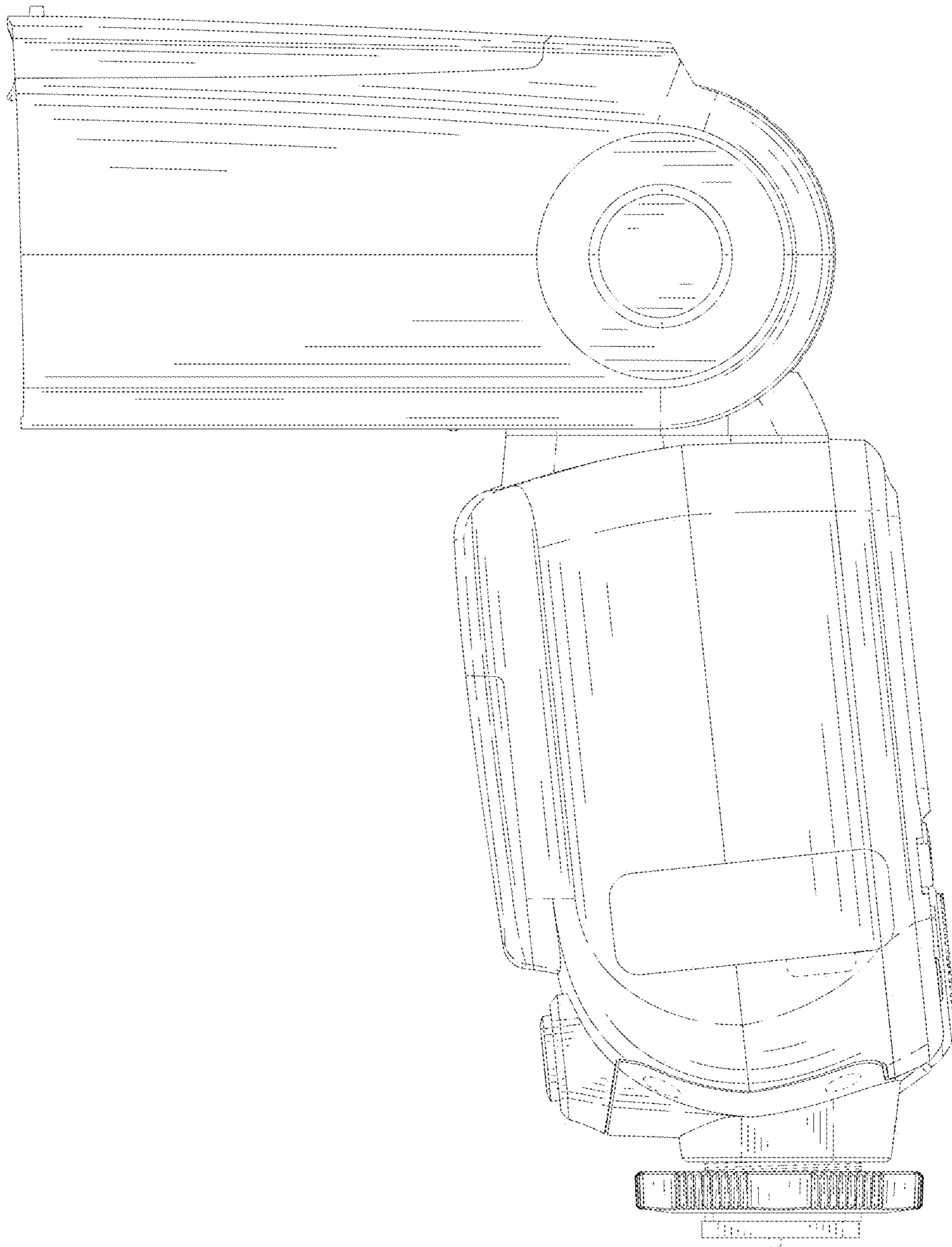


FIG. 5

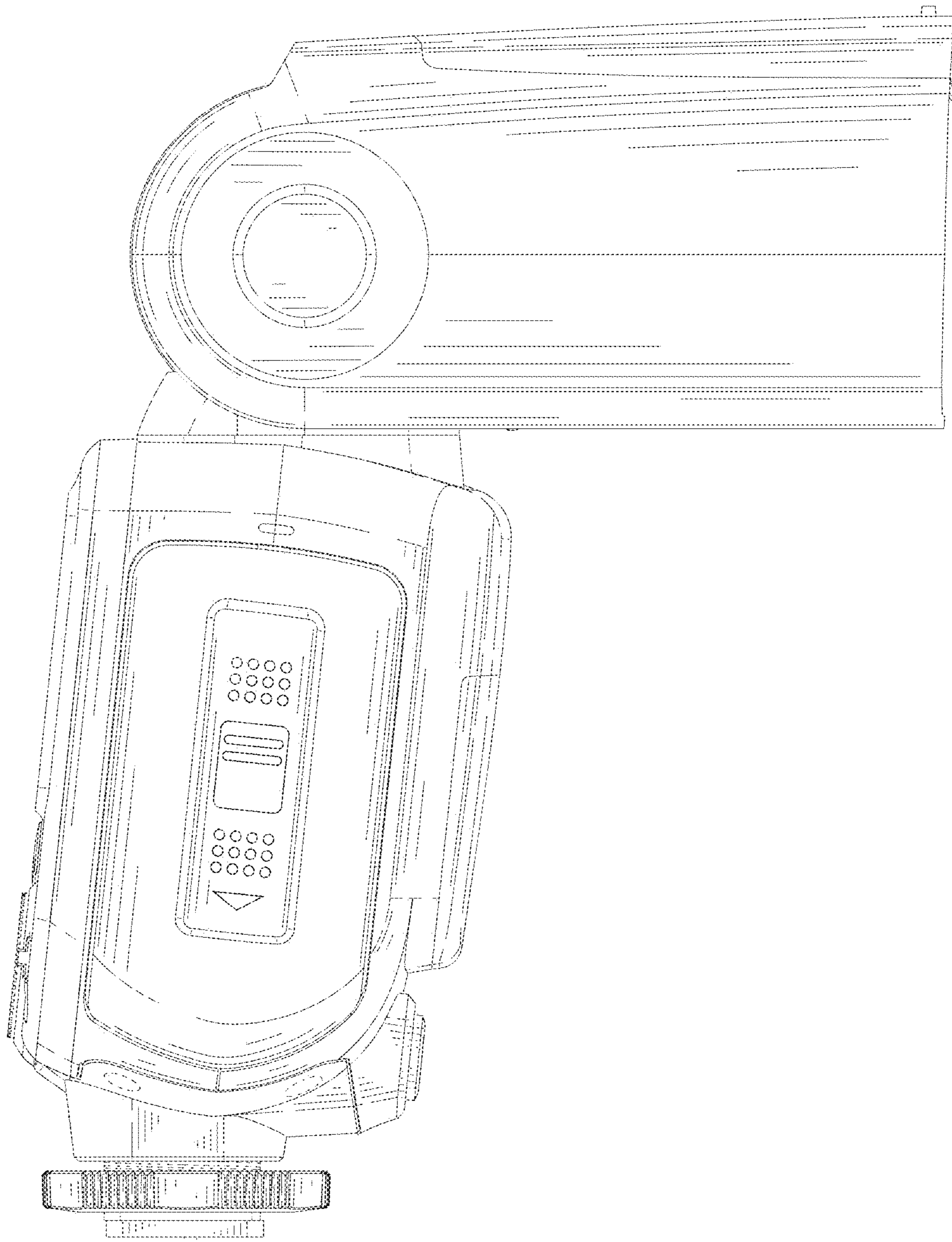


FIG. 6

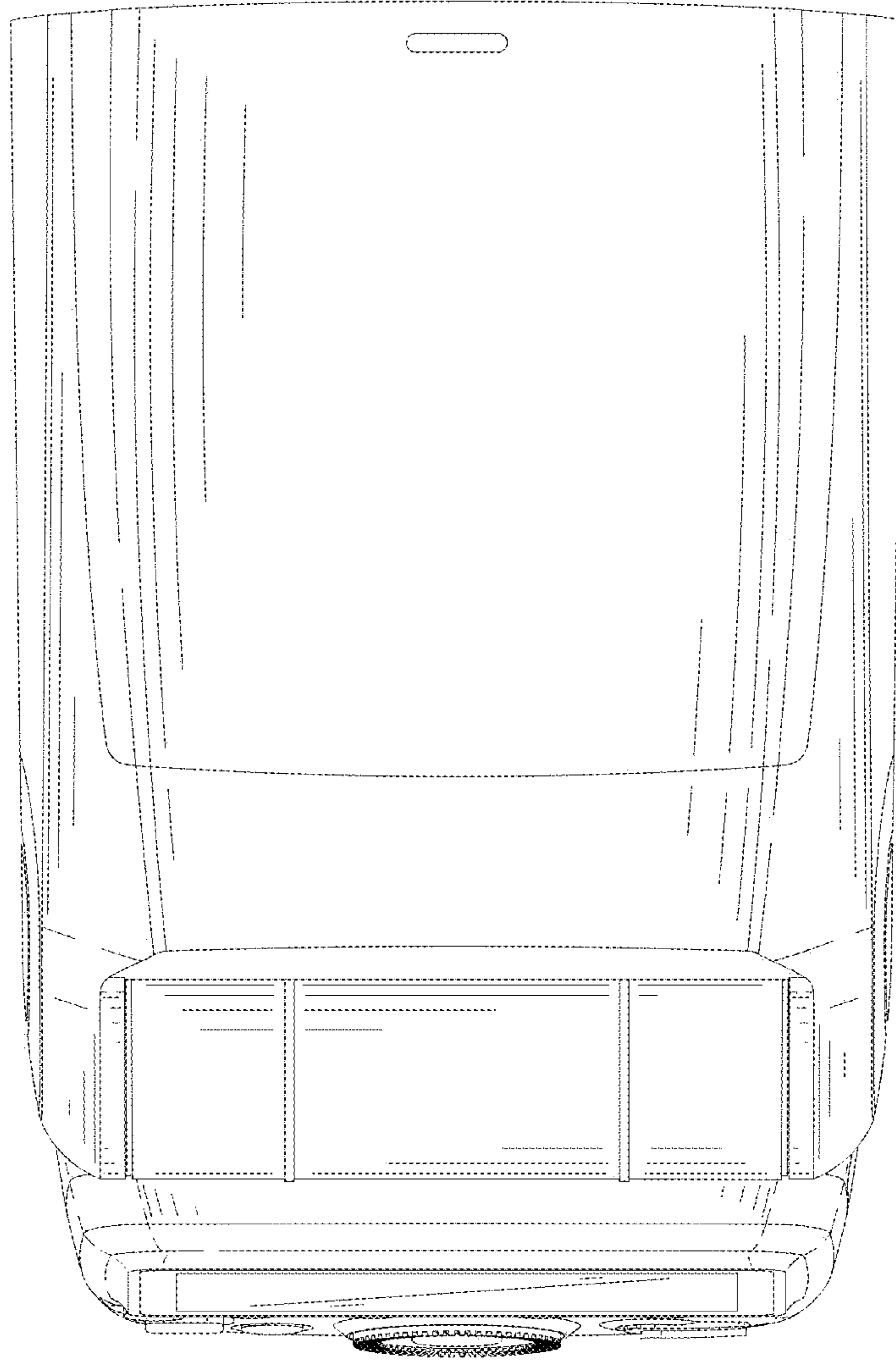


FIG. 7

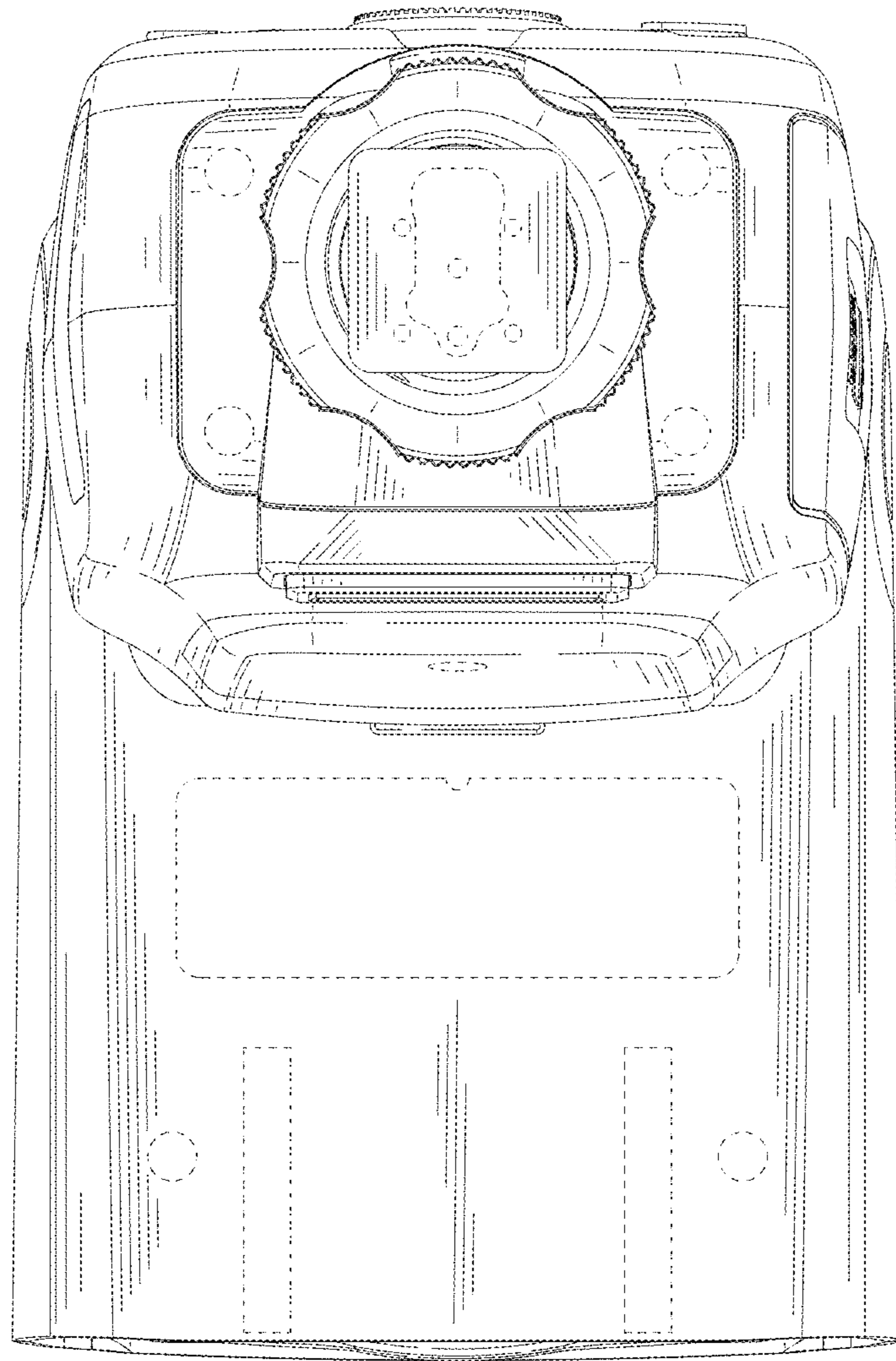


FIG. 8