



US00D989162S

(12) **United States Design Patent**  
**Wang et al.**

(10) **Patent No.:** **US D989,162 S**  
(45) **Date of Patent:** **\*\* Jun. 13, 2023**

- (54) **SOFTBOX**
- (71) Applicant: **SHENZHEN XINGYINGDA INDUSTRY CO., LTD.**, Shenzhen (CN)
- (72) Inventors: **Jun Wang**, Shenzhen (CN); **Yan Ke**, Shenzhen (CN)
- (73) Assignee: **SHENZHEN XINGYINGDA INDUSTRY CO., LTD.**, Shenzhen (CN)
- (\*\*) Term: **15 Years**
- (21) Appl. No.: **29/845,503**
- (22) Filed: **Jul. 7, 2022**
- (51) **LOC (14) Cl.** ..... **16-05**
- (52) **U.S. Cl.**  
USPC ..... **D16/240**
- (58) **Field of Classification Search**  
USPC ..... D16/237–250; D8/354, 355, 363, 373, D8/382, 383, 394, 396; D14/238, 251, D14/253  
CPC ..... G03B 17/02; G03B 17/56; G03B 17/04; G03B 17/561–566; G03B 15/03; H04N 5/2251; H04N 5/2252; H04N 5/2253; H04N 5/2254; G02B 7/02; G02B 7/04; G02B 7/14  
See application file for complete search history.

(56) **References Cited**

**U.S. PATENT DOCUMENTS**

- D696,335 S \* 12/2013 Li ..... D16/237
- D697,125 S \* 1/2014 Li ..... D16/237
- D710,926 S \* 8/2014 Li ..... D16/237

- D851,322 S 6/2019 Anastassiades
- D869,543 S \* 12/2019 Meraz ..... D16/237
- D888,811 S 6/2020 Chen
- D905,900 S \* 12/2020 Nykolyshyn ..... D16/237
- D938,510 S \* 12/2021 Xu ..... D16/237
- D940,782 S \* 1/2022 Zhu ..... D16/244
- D940,783 S \* 1/2022 Lin ..... D16/244
- D947,274 S \* 3/2022 Tian ..... D16/244
- D956,325 S \* 6/2022 Lin ..... D16/244
- D963,026 S \* 9/2022 Tian ..... D16/237
- D963,030 S \* 9/2022 Feng ..... D16/244

\* cited by examiner

*Primary Examiner* — Ramzi Almatrahi

(74) *Attorney, Agent, or Firm* — ScienBiziP, P.C.

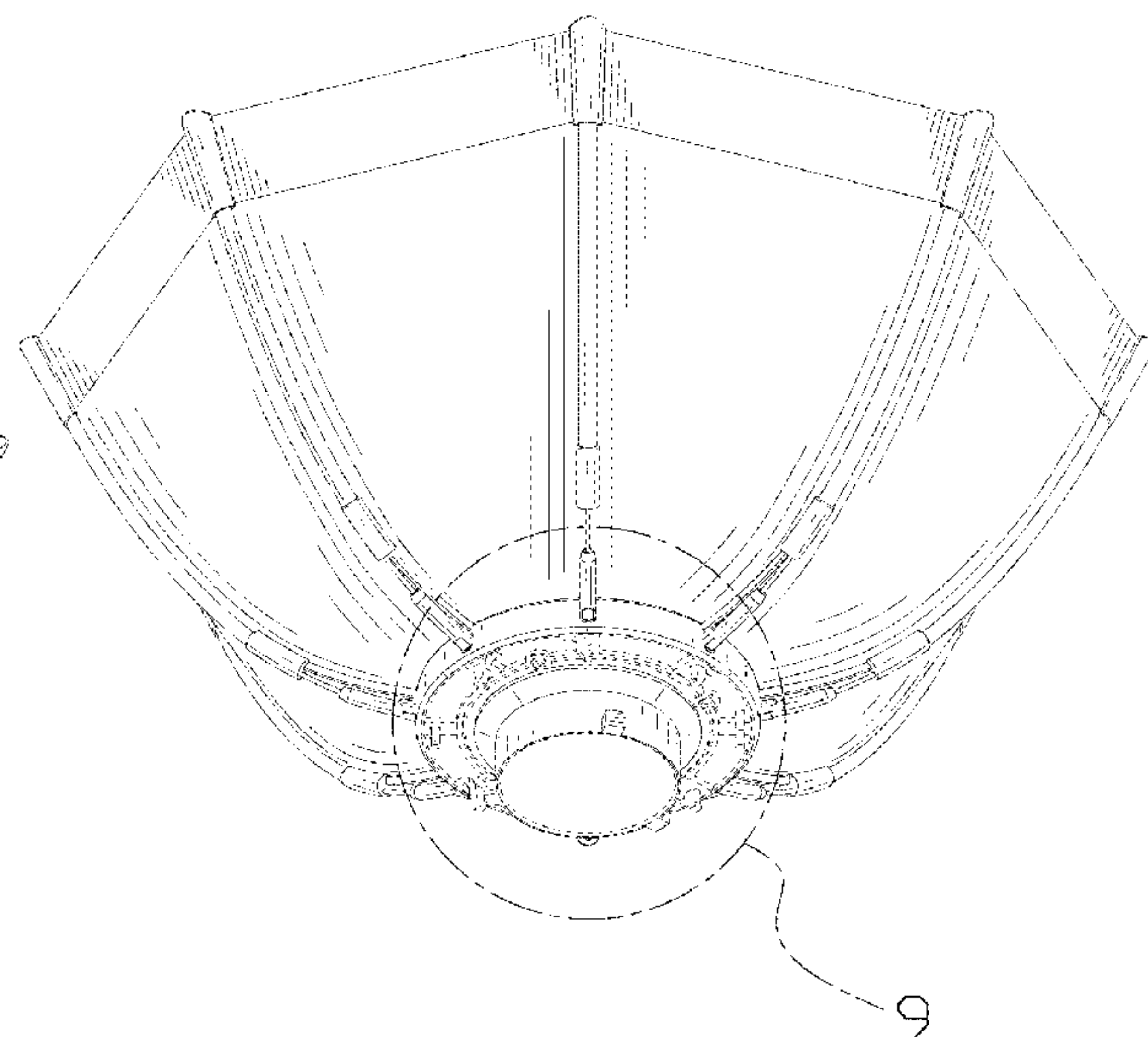
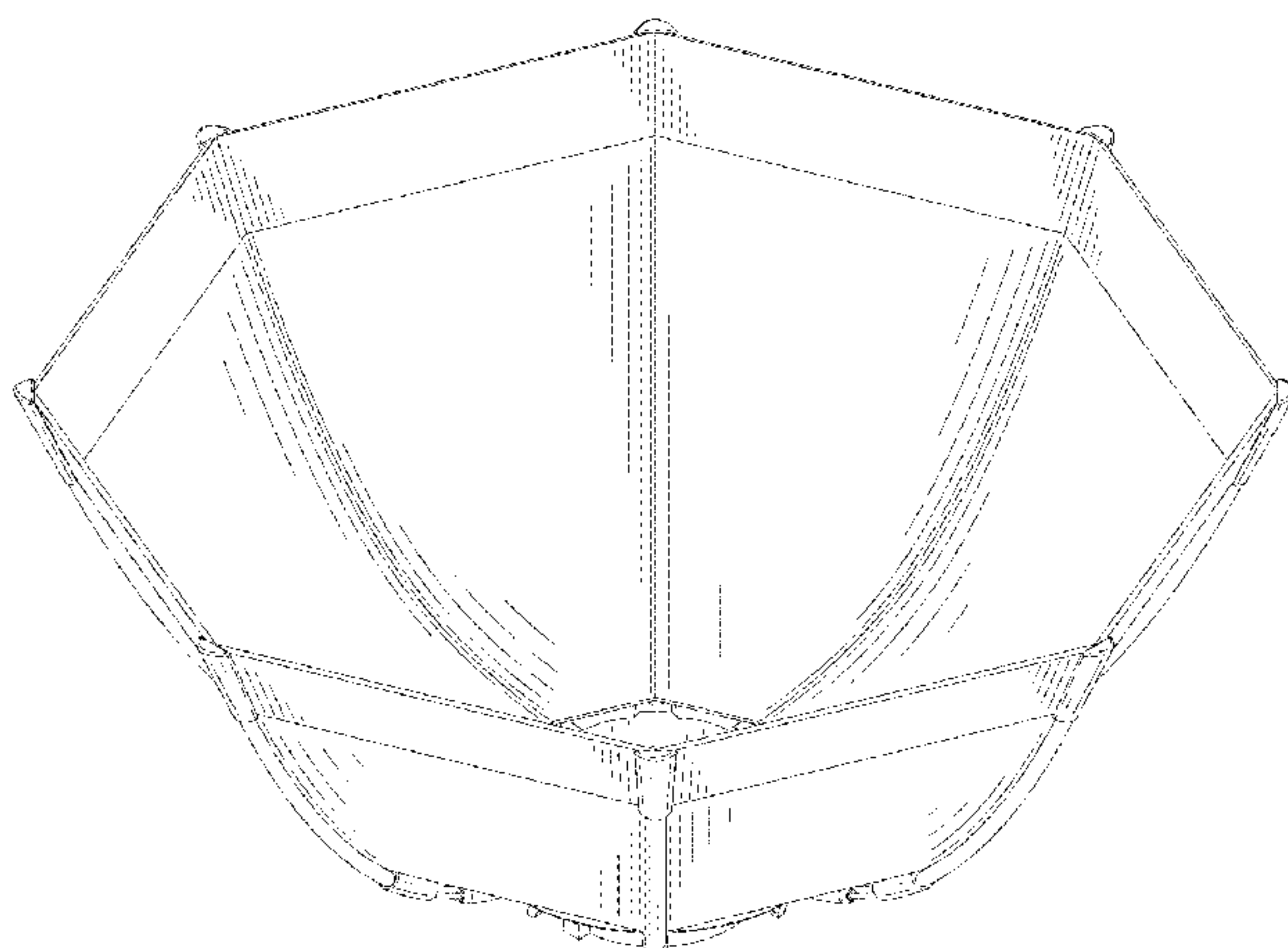
(57) **CLAIM**

The ornamental design for a softbox, as shown and described.

**DESCRIPTION**

FIG. 1 is a top, front and right side perspective view of a softbox, showing our new design;  
 FIG. 2 is a bottom, rear and left side perspective view thereof;  
 FIG. 3 is a front elevation view thereof;  
 FIG. 4 is a rear elevation view thereof;  
 FIG. 5 is a left side elevation view thereof;  
 FIG. 6 is a right side elevation view thereof;  
 FIG. 7 is a top plan view thereof;  
 FIG. 8 is a bottom plan view thereof; and,  
 FIG. 9 is an enlarged view of portion 9 shown in FIG. 2.  
 The broken lines shown in the drawings are included for the purpose of illustrating portions of the softbox that form no part of the claimed design. In addition, the dot-dash broken lines in FIGS. 2 and 9 depict the boundaries of the enlargements that form no part of the claimed design.

**1 Claim, 9 Drawing Sheets**



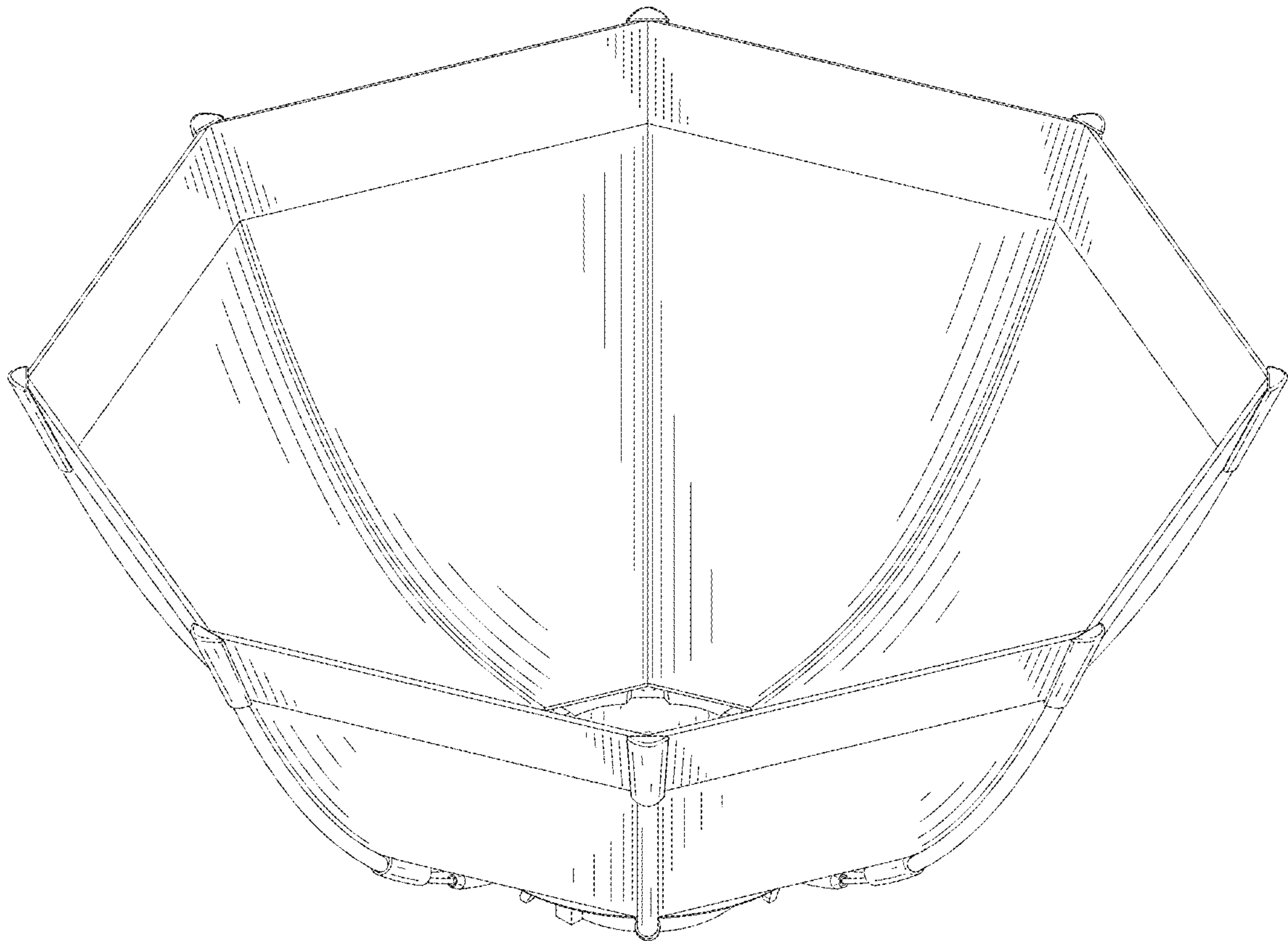


FIG. 1

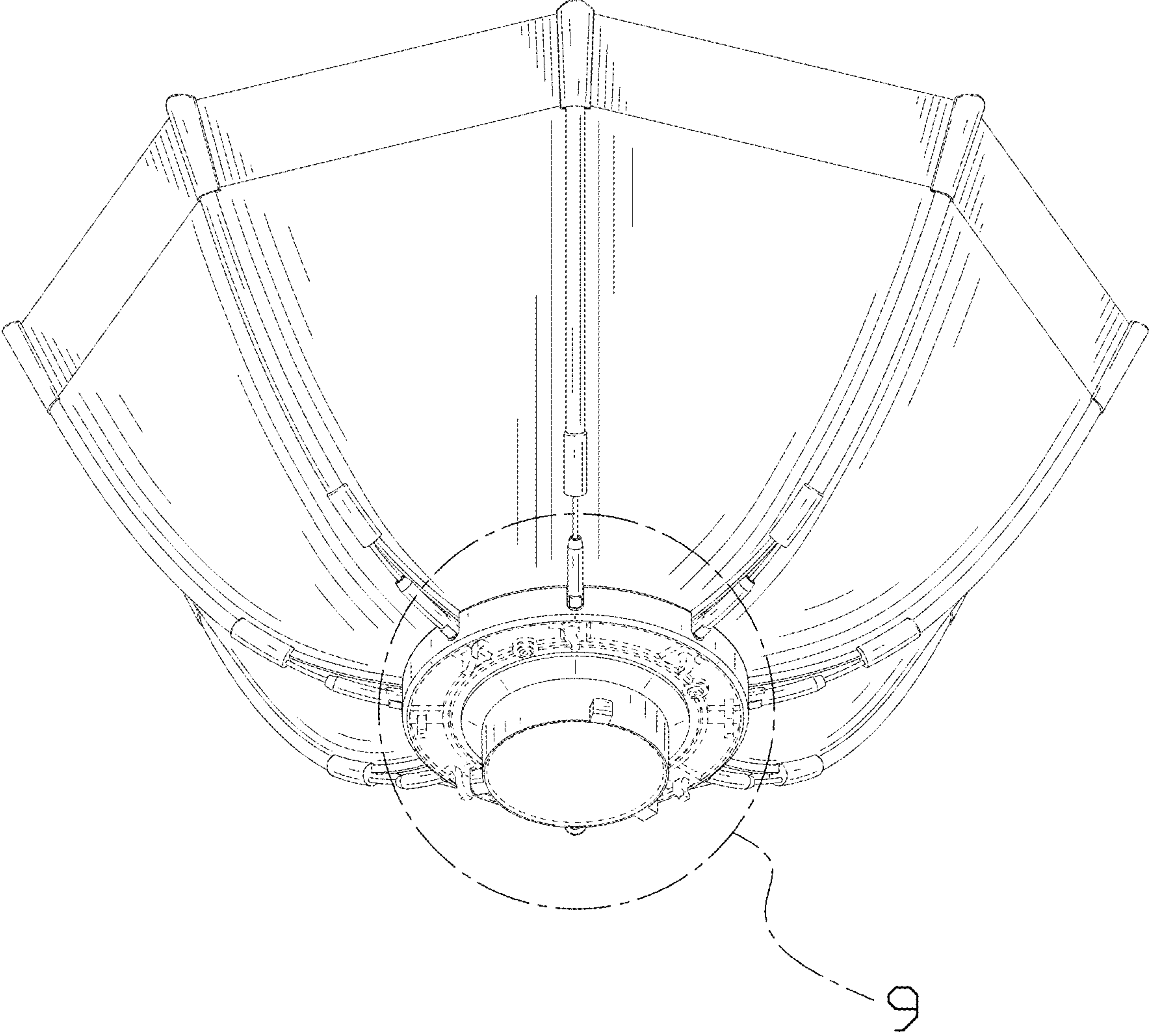


FIG. 2

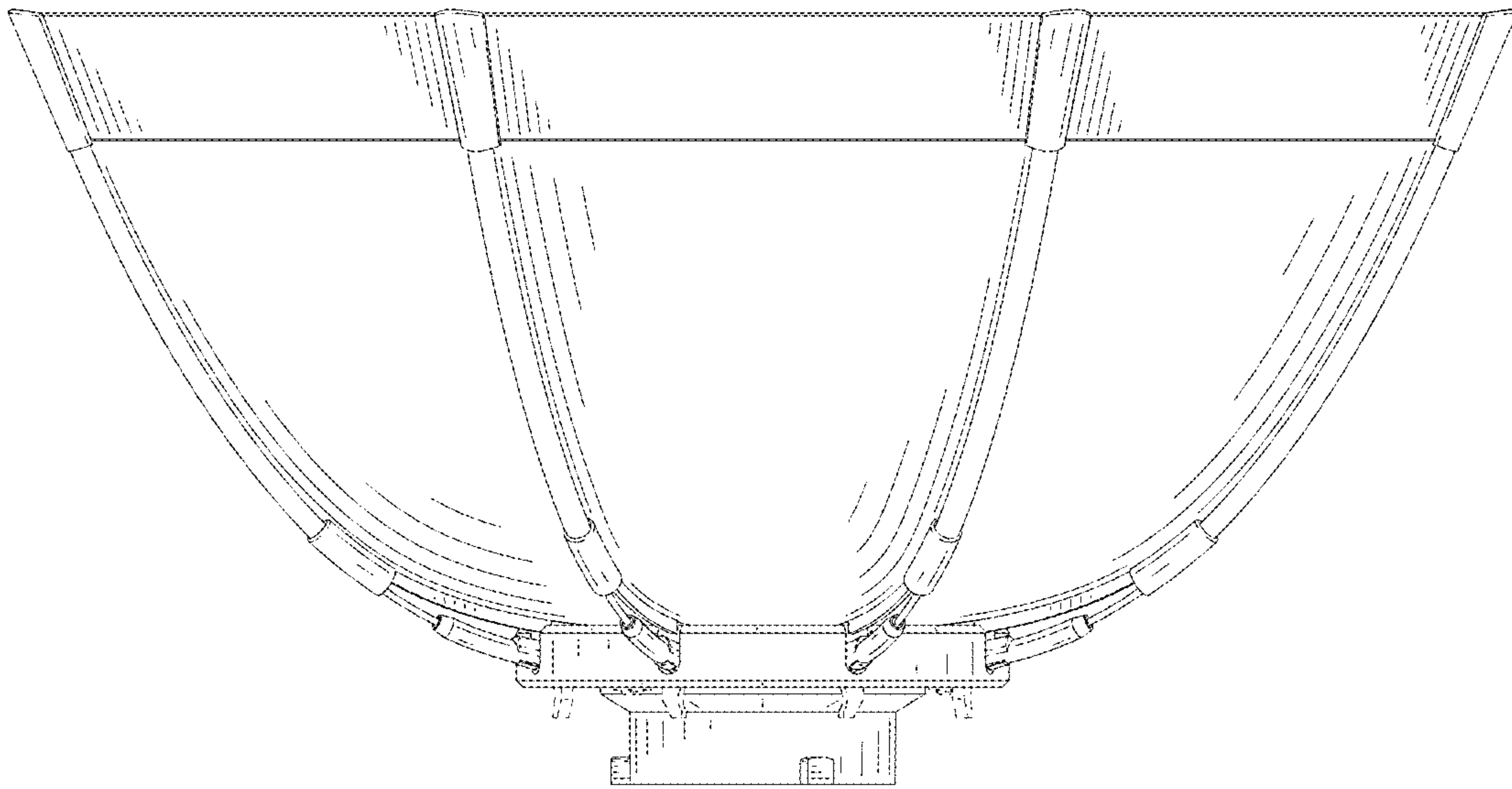


FIG. 3



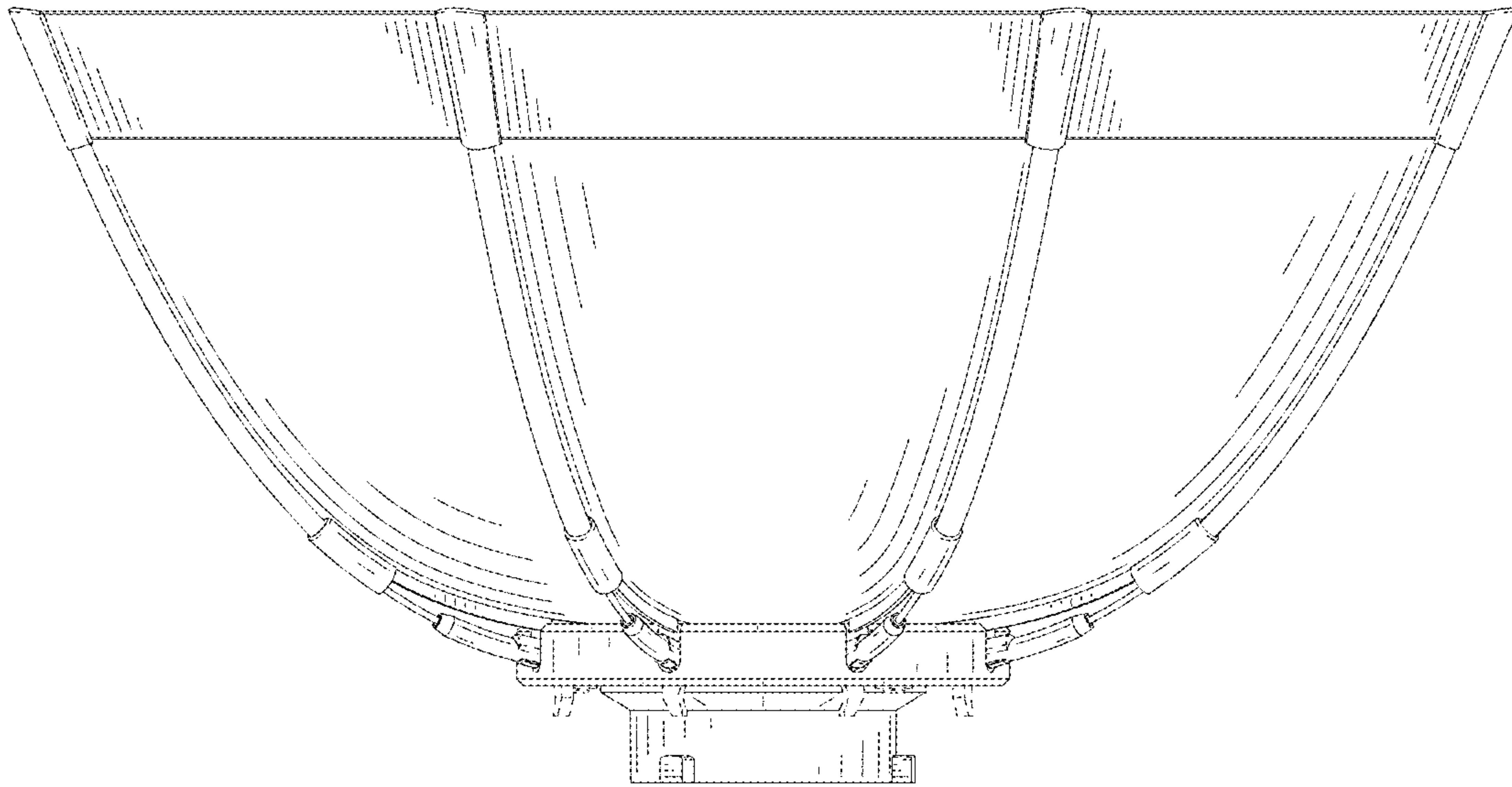


FIG. 4

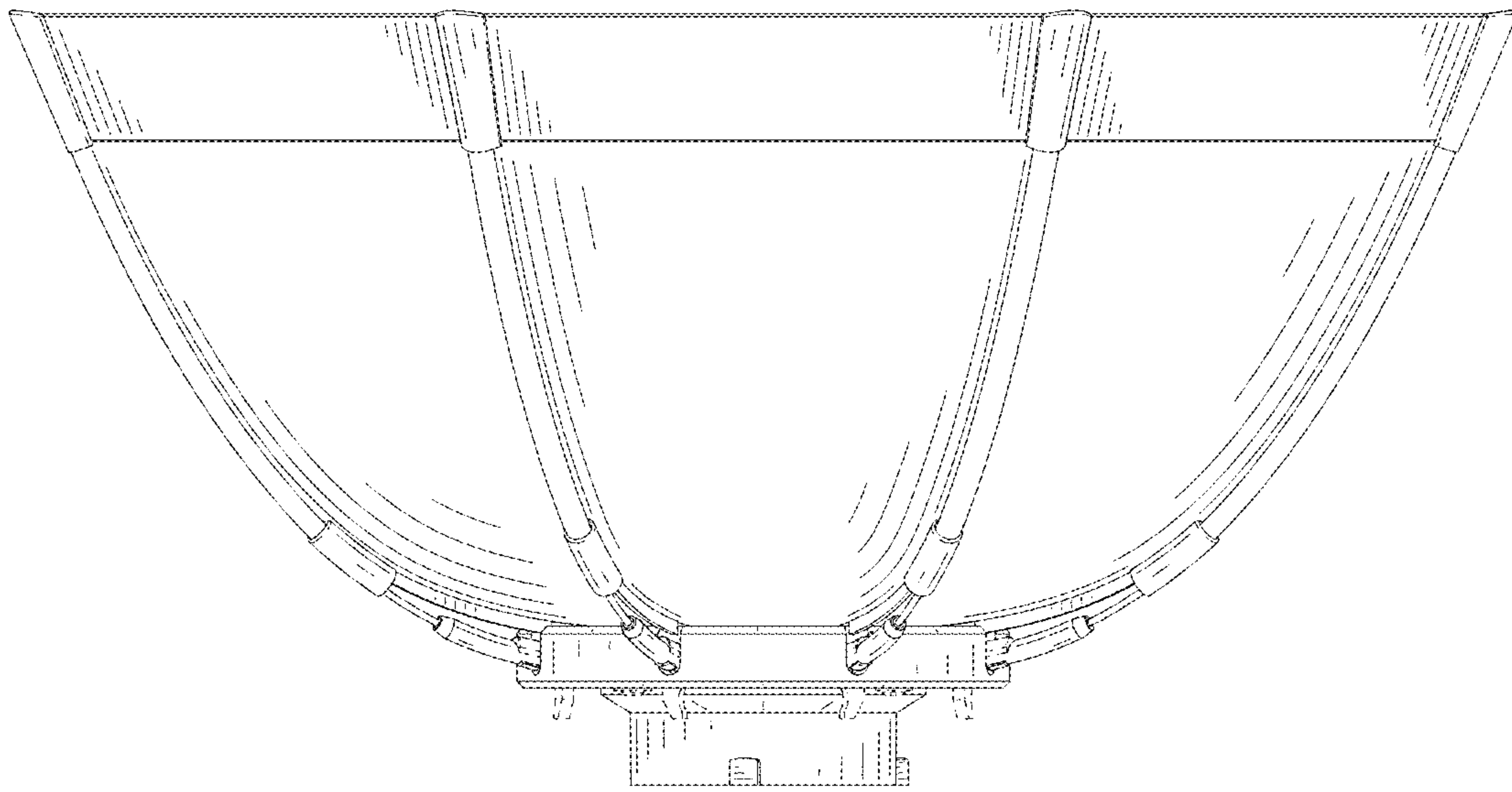


FIG. 5

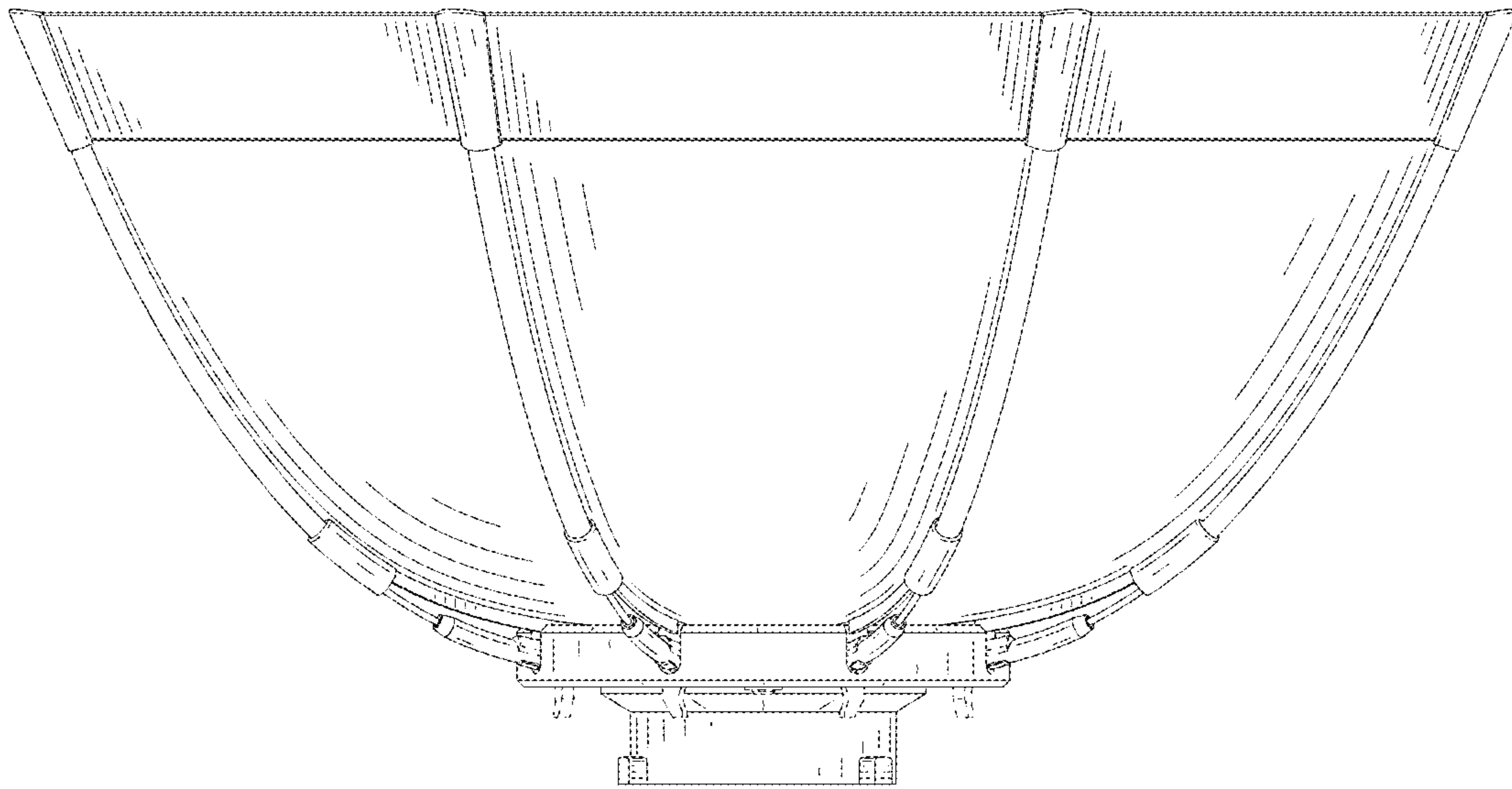


FIG. 6

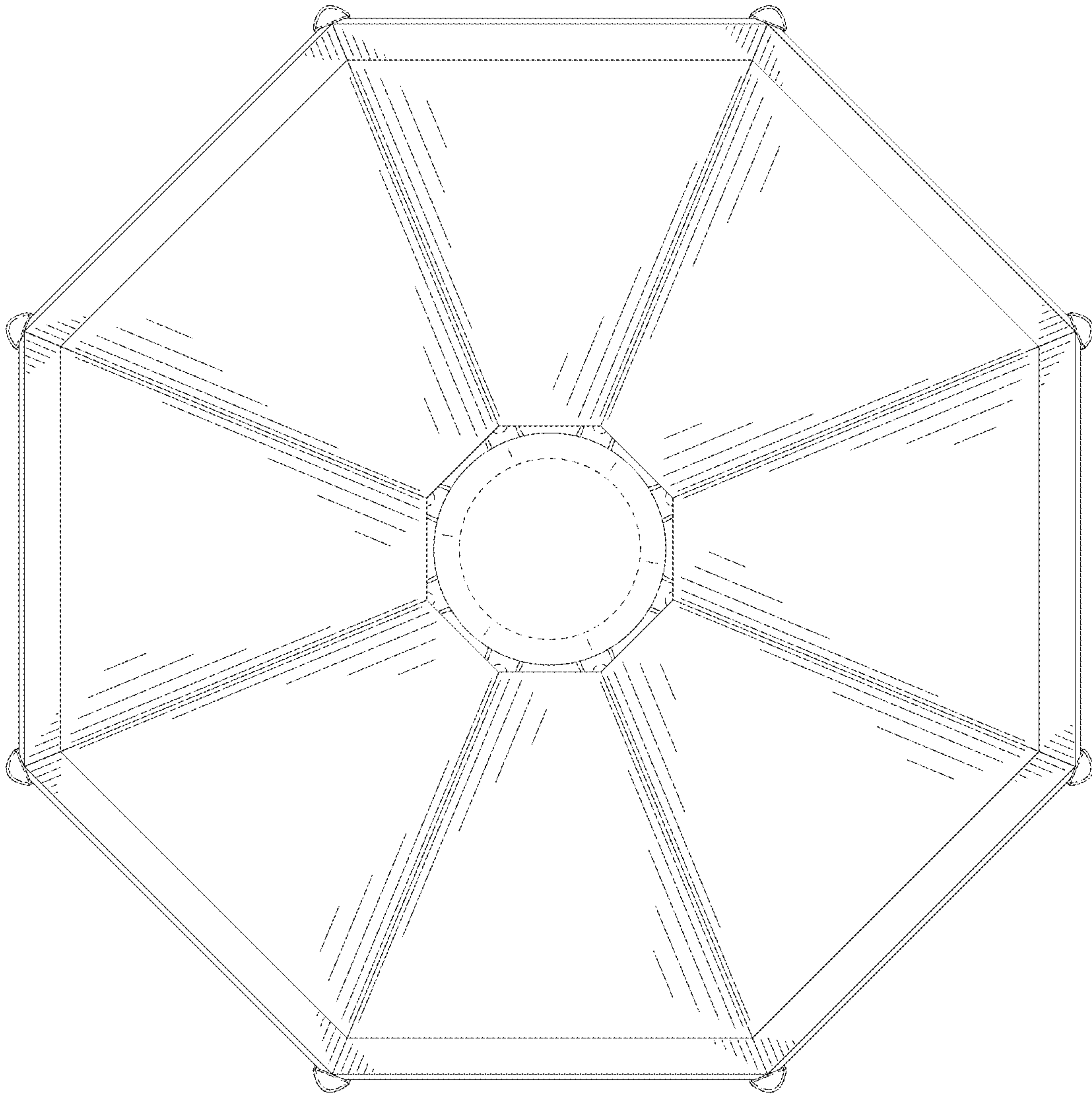


FIG. 7



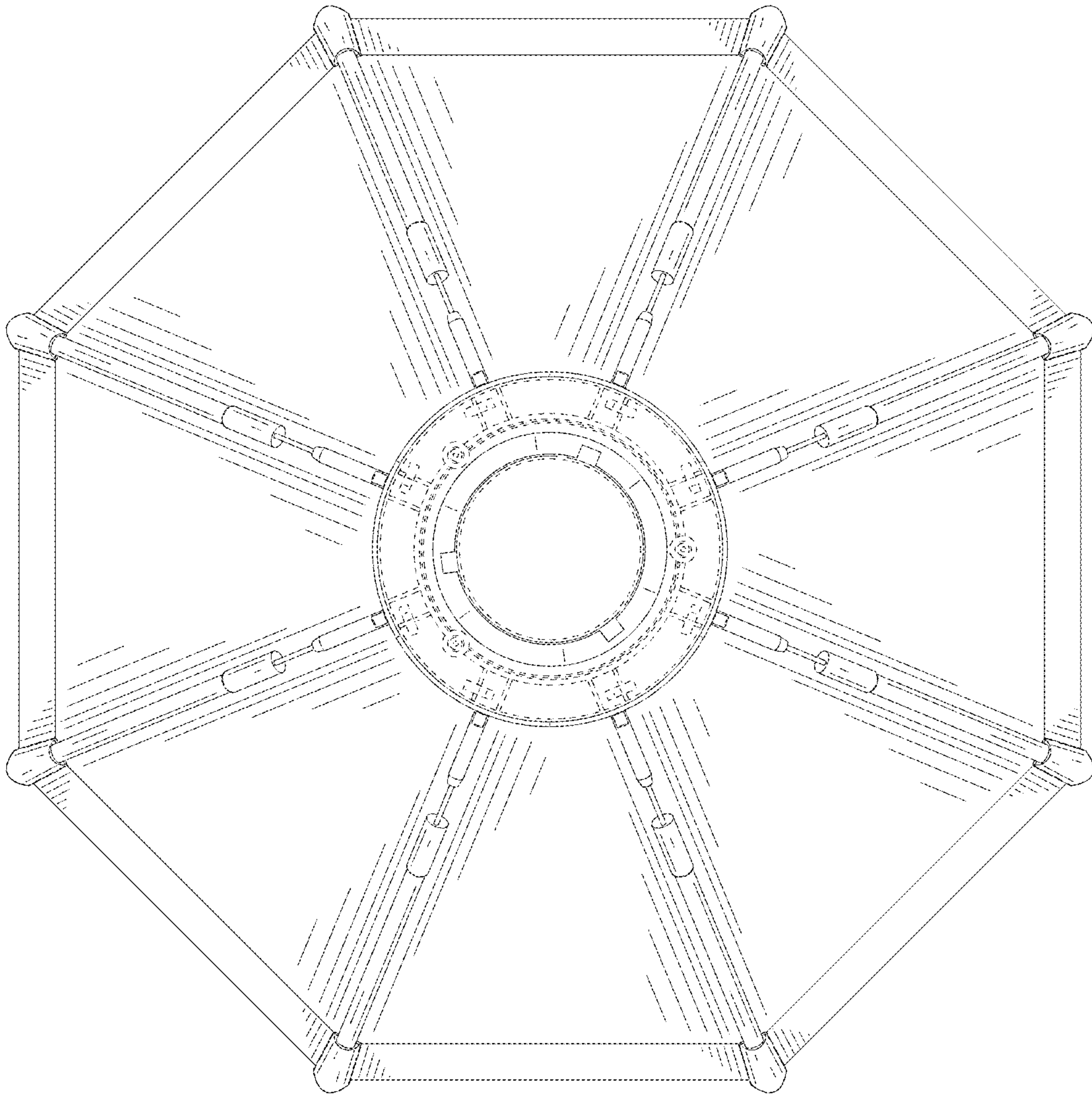


FIG. 8

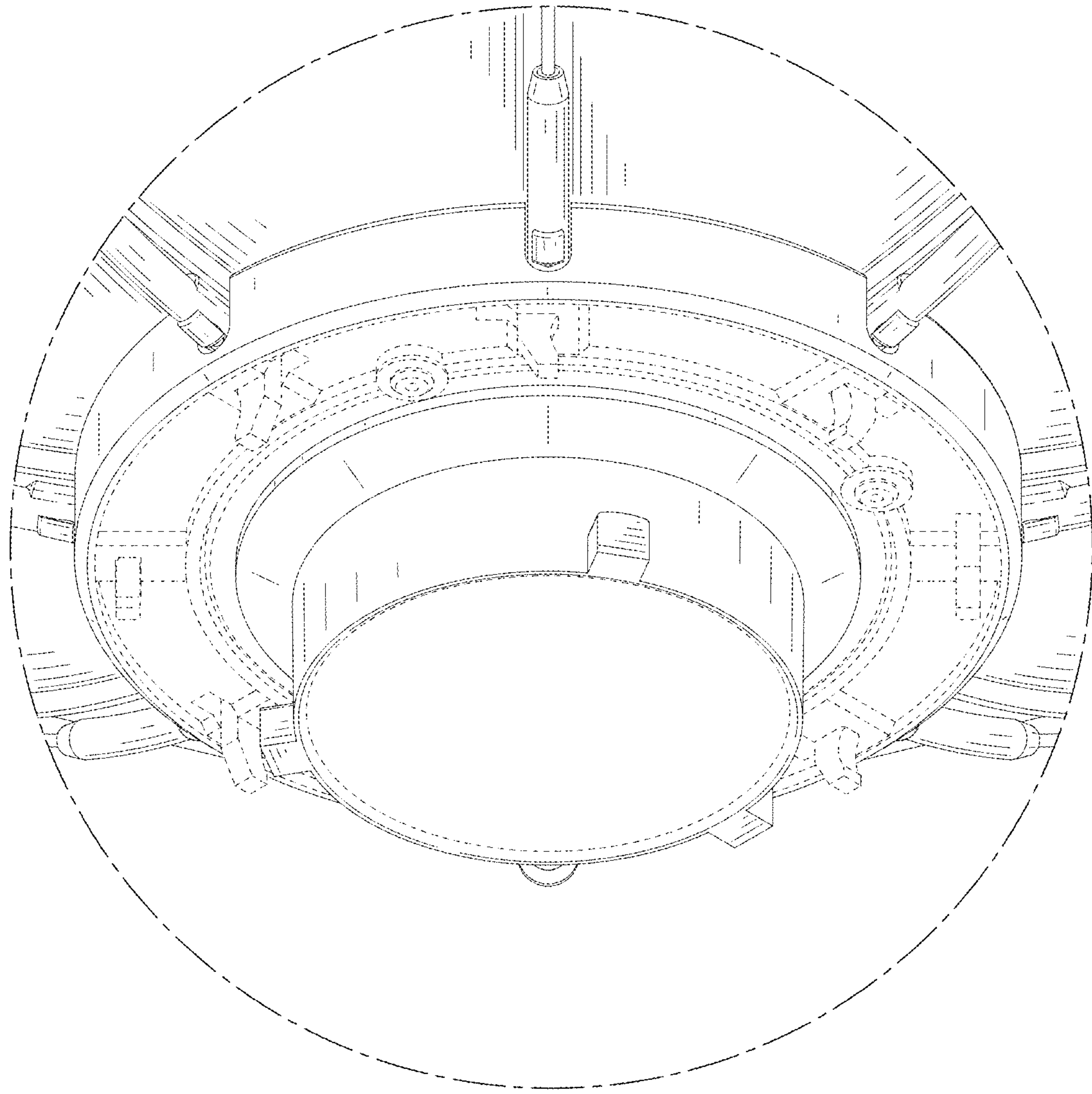


FIG. 9