



US00D989159S

(12) **United States Design Patent**
Zhang

(10) **Patent No.:** **US D989,159 S**
(45) **Date of Patent:** **** Jun. 13, 2023**

(54) **PROJECTOR**

(71) Applicant: **Shenzhen Wode Technology Co., Ltd.**,
Shenzhen (CN)

(72) Inventor: **Jinliang Zhang**, Baldwin Park, CA
(US)

(**) Term: **15 Years**

(21) Appl. No.: **29/794,464**

(22) Filed: **Jun. 11, 2021**

(51) **LOC (14) Cl.** **16-02**

(52) **U.S. Cl.**
USPC **D16/235**

(58) **Field of Classification Search**
USPC D16/221, 225, 229–231, 235; D21/514;
D14/125, 128–129, 135, 188, 426, 498
CPC G03B 21/14; G03B 21/145; G03B 21/00;
G03B 21/001; G03B 21/003; G03B
21/12; G03B 21/30; G03B 21/58; G03B
17/04

See application file for complete search history.

(56) **References Cited**

U.S. PATENT DOCUMENTS

| | | | | | |
|------------|---|---------|---------|-------|---------|
| D146,151 S | * | 12/1946 | Nemeth | | D16/221 |
| D492,338 S | * | 6/2004 | Ooshima | | D16/230 |
| D506,771 S | * | 6/2005 | Ooshima | | D16/230 |
| D557,726 S | * | 12/2007 | Sumii | | D16/230 |
| D602,969 S | * | 10/2009 | Collet | | D16/221 |
| D651,636 S | * | 1/2012 | Chang | | D16/230 |
| D665,442 S | * | 8/2012 | Tzeng | | D16/229 |

| | | | | | |
|------------|---|--------|-----------|-------|---------|
| D678,382 S | * | 3/2013 | Ishibashi | | D16/230 |
| D685,835 S | * | 7/2013 | Nakashima | | D16/230 |
| D734,382 S | * | 7/2015 | Kim | | D16/230 |

FOREIGN PATENT DOCUMENTS

| | | | |
|----|-----------|---|--------|
| CN | 304045910 | * | 5/2016 |
| CN | 304986859 | * | 9/2018 |

* cited by examiner

Primary Examiner — Wan Laymon

(74) *Attorney, Agent, or Firm* — Tsz Lung Yeung

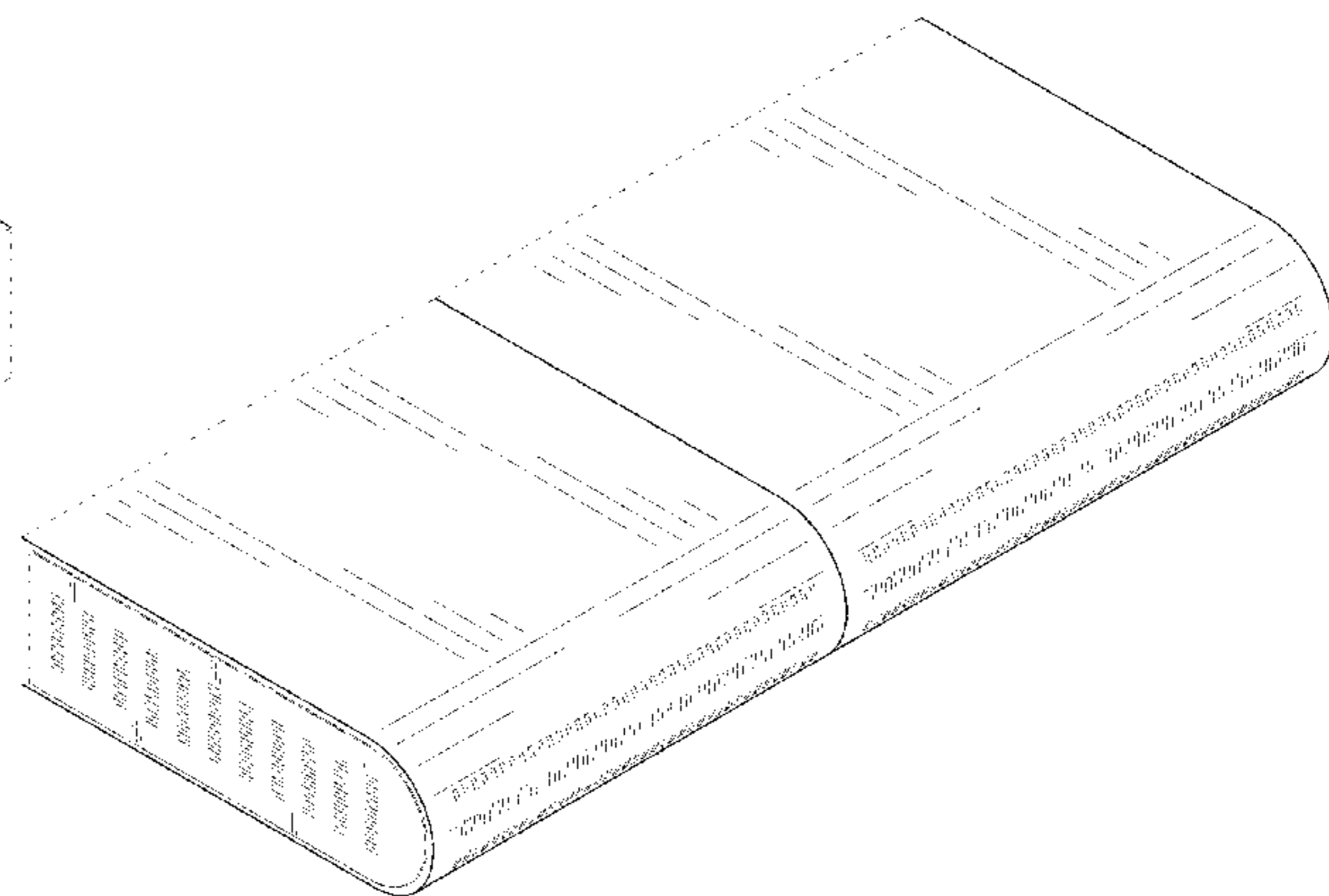
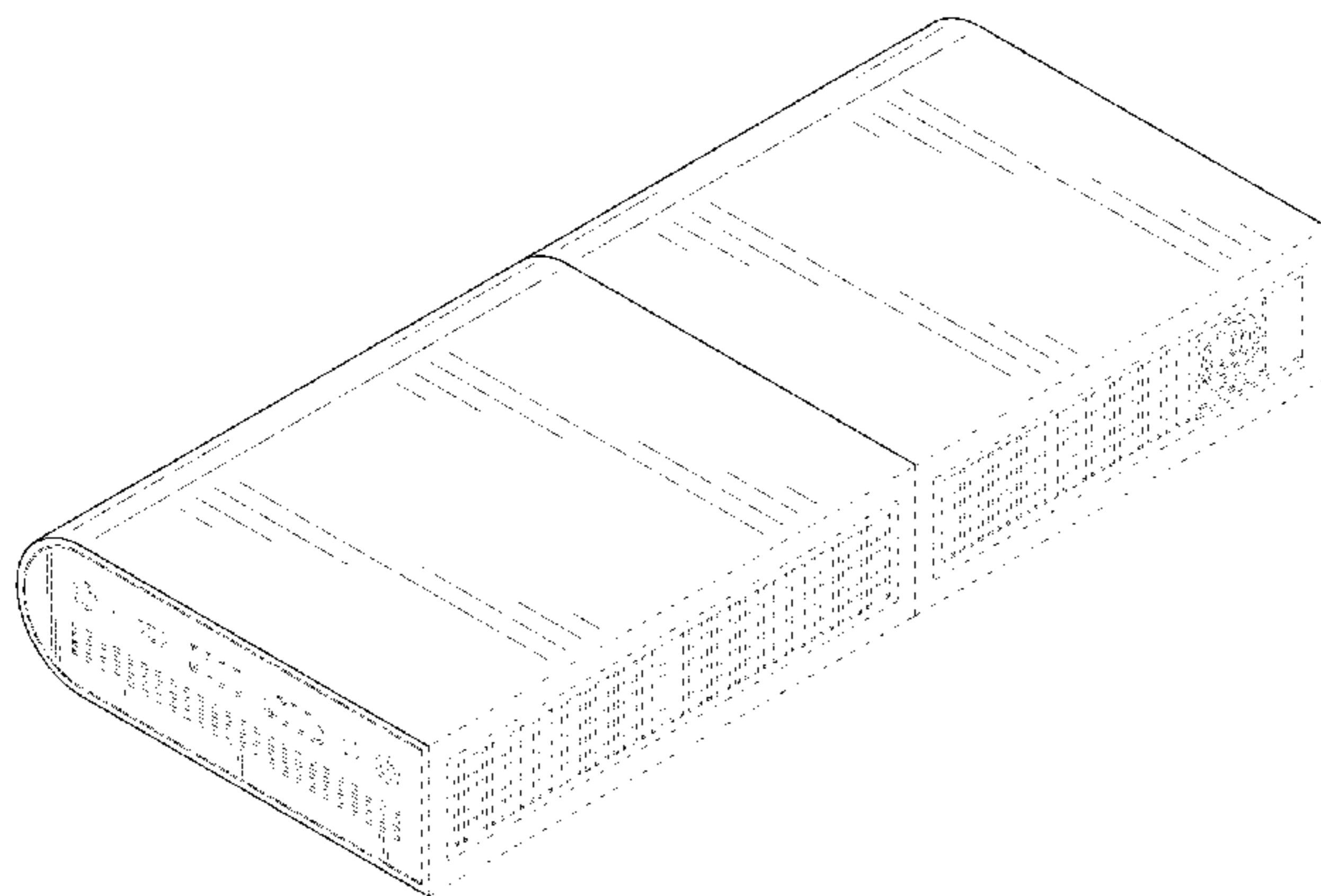
(57) **CLAIM**

The ornamental design for a projector, as shown and described.

DESCRIPTION

FIG. 1 is a perspective view of a projector, showing my new design;
FIG. 2 is a front view thereof;
FIG. 3 is a rear view thereof;
FIG. 4 is a right side view thereof;
FIG. 5 is a left side view thereof;
FIG. 6 is a top view thereof;
FIG. 7 is a bottom view thereof;
FIG. 8 is a perspective view thereof, shown in an open position; and,
FIG. 9 is a rear perspective view thereof.
The broken lines depict portions of the projector that form no part of the claimed design.

1 Claim, 9 Drawing Sheets



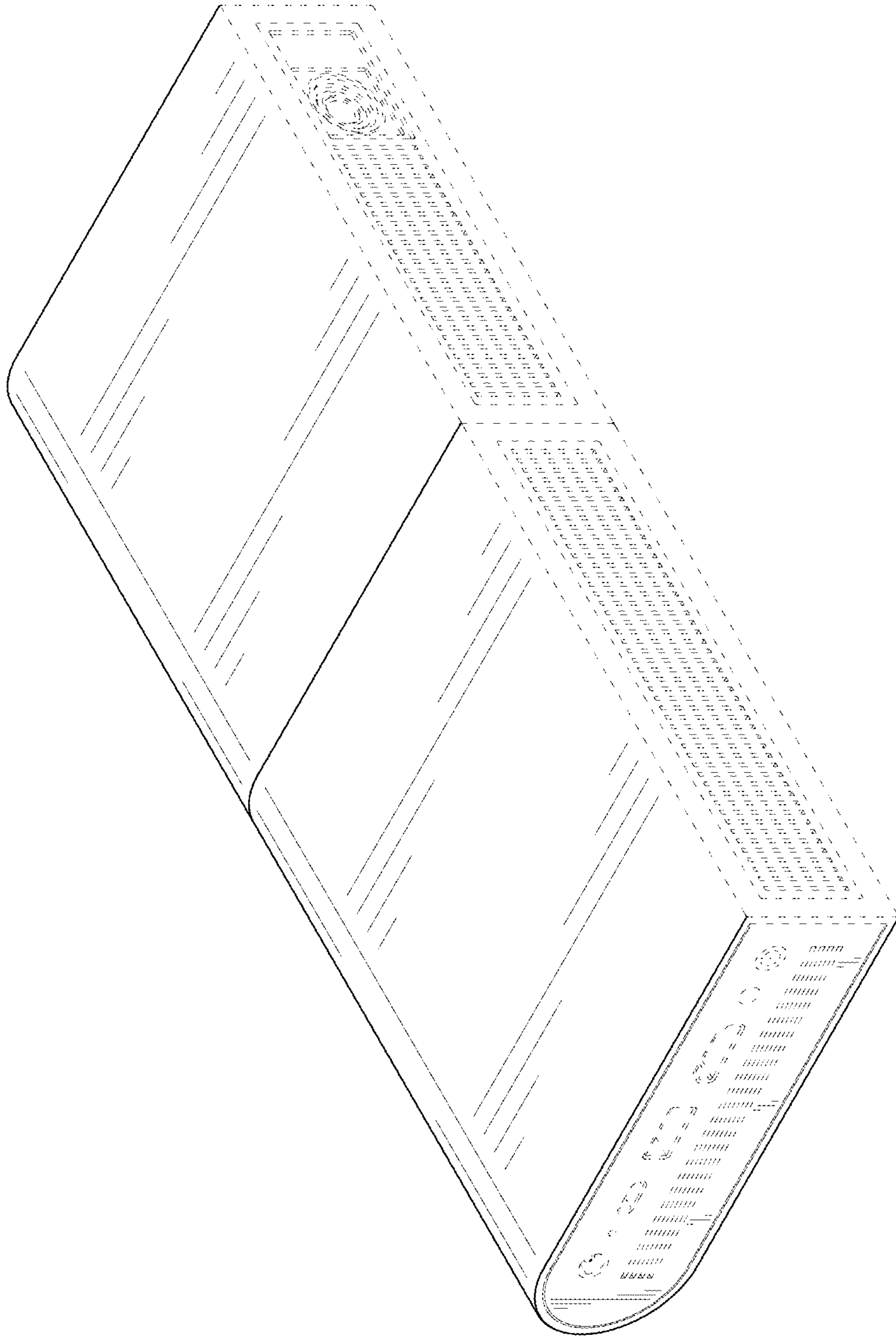


FIG. 1

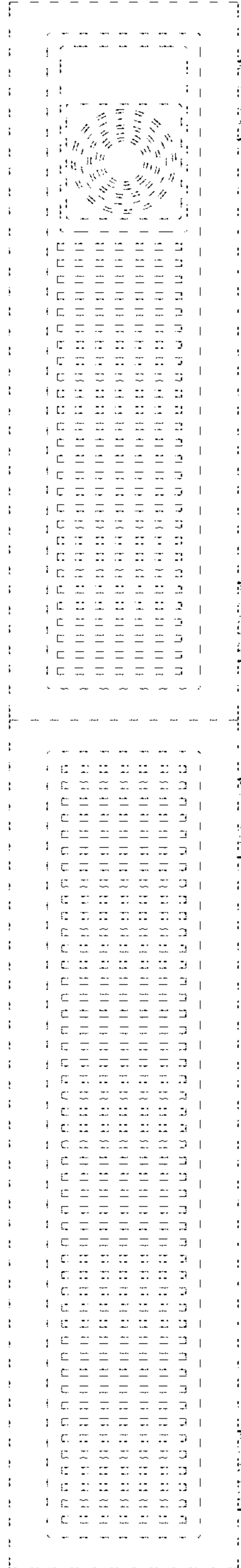


FIG. 2

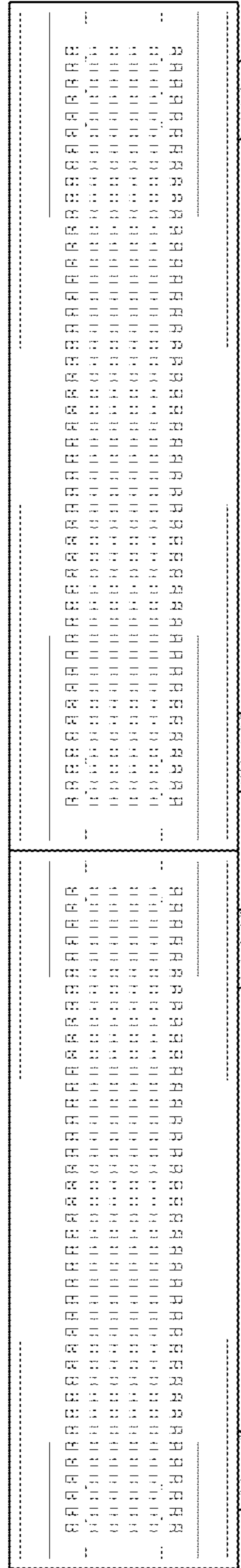


FIG. 3

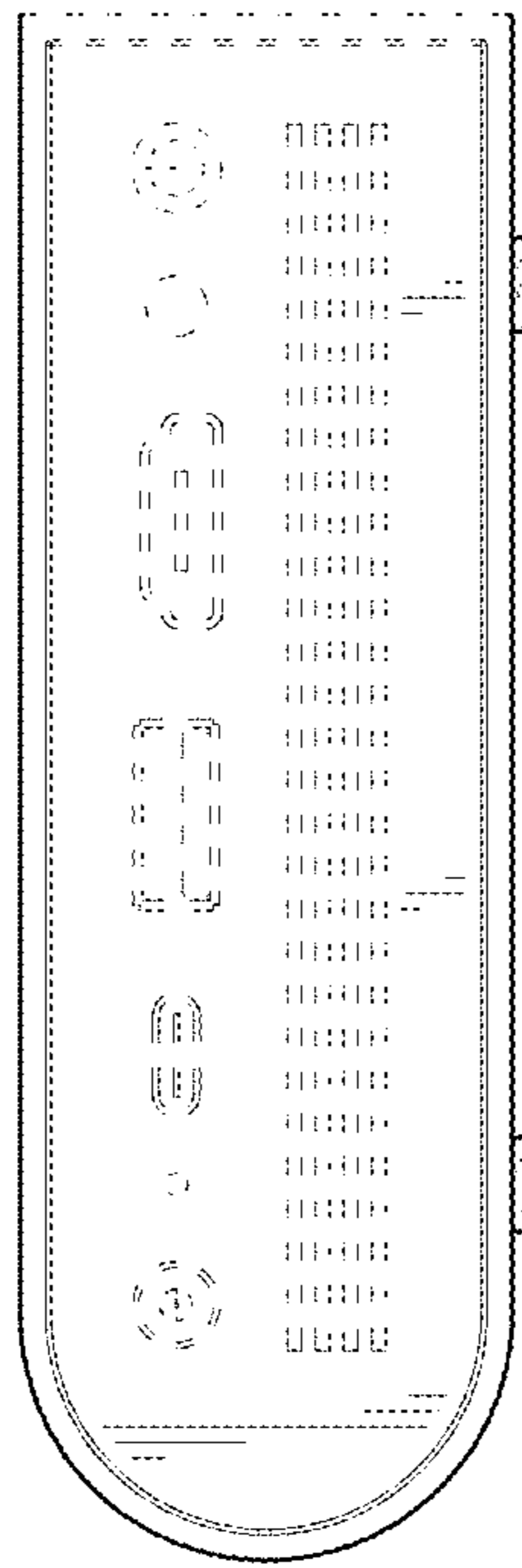


FIG. 4

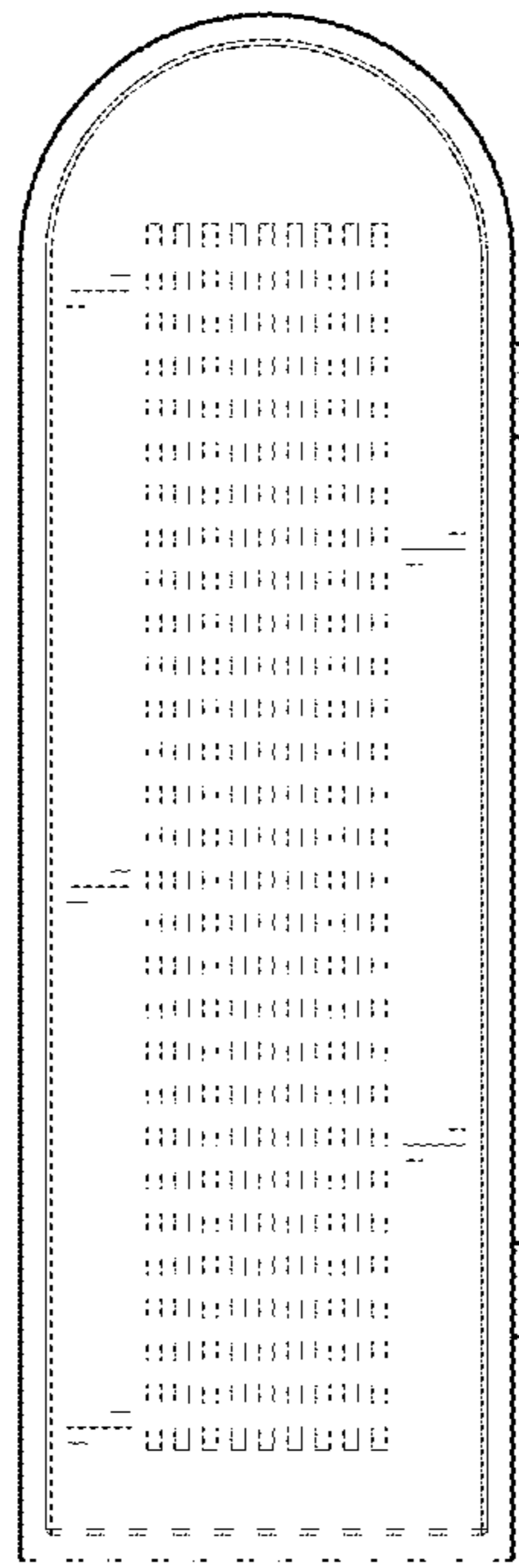


FIG. 5

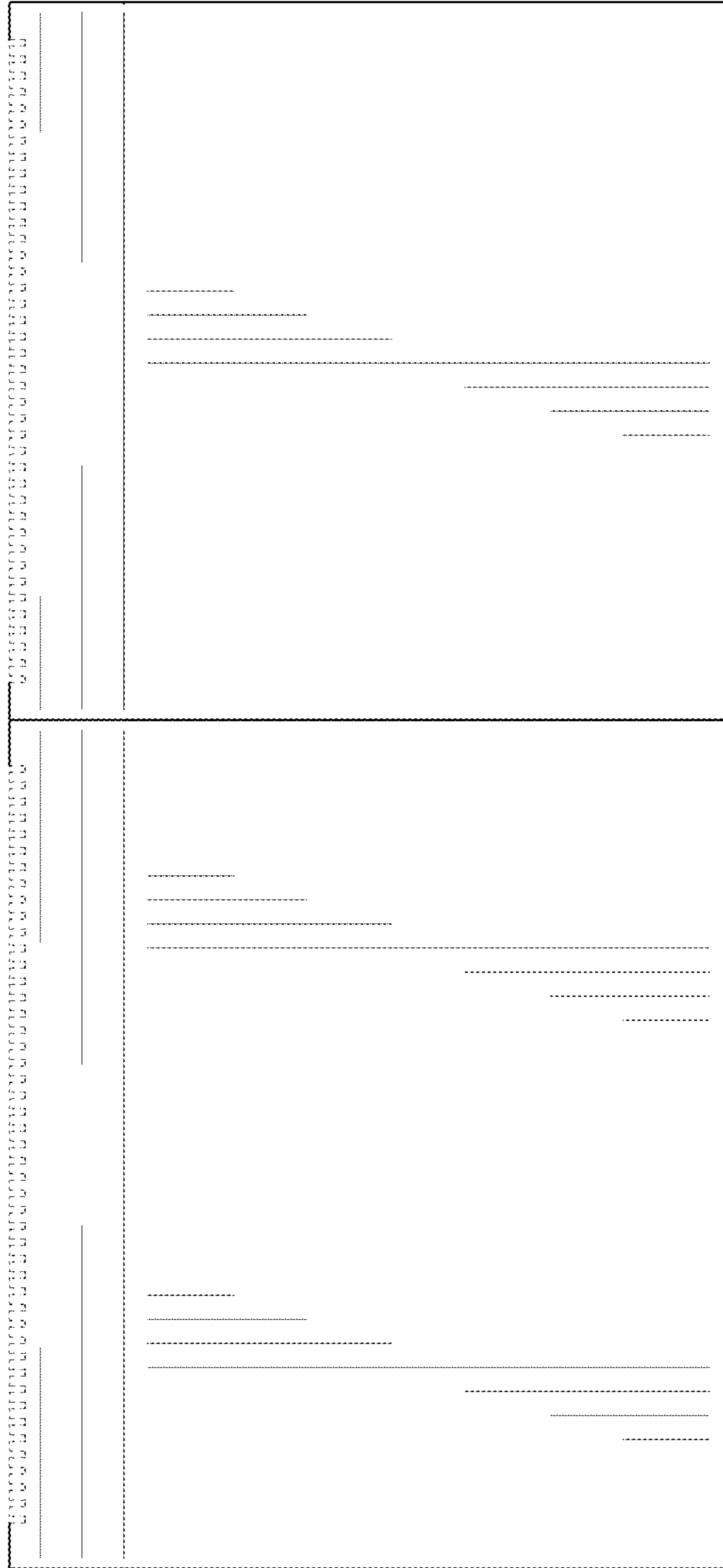


FIG. 6

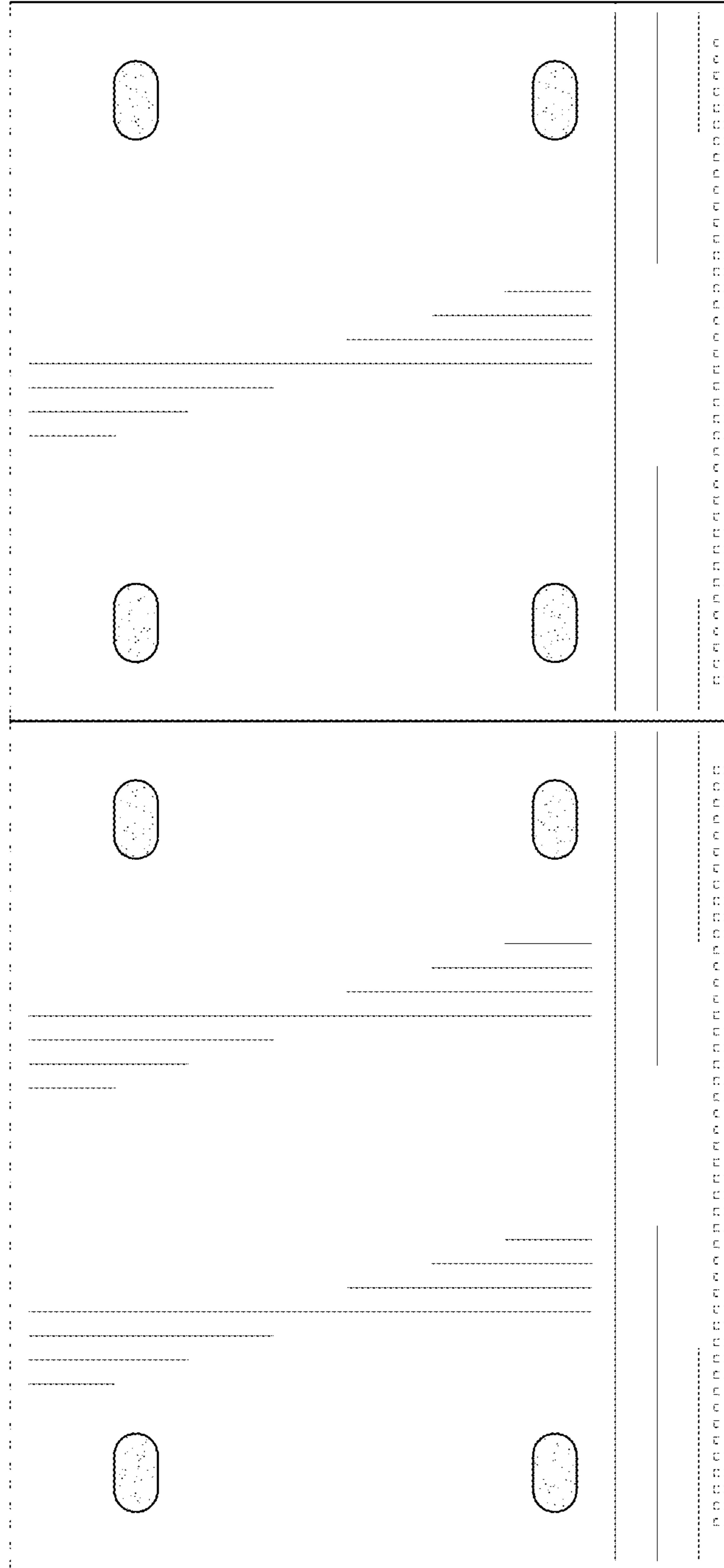


FIG. 7

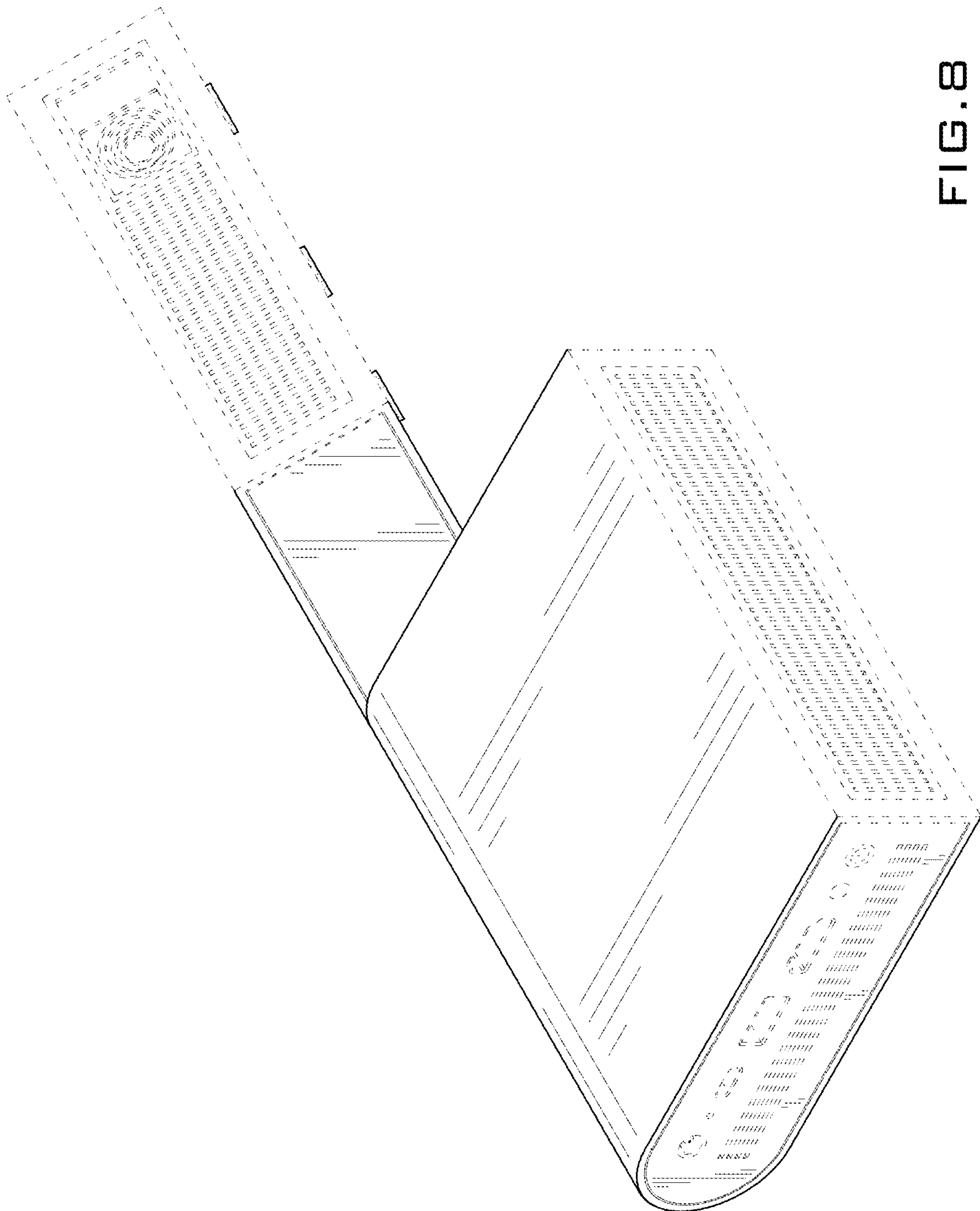


FIG. 8

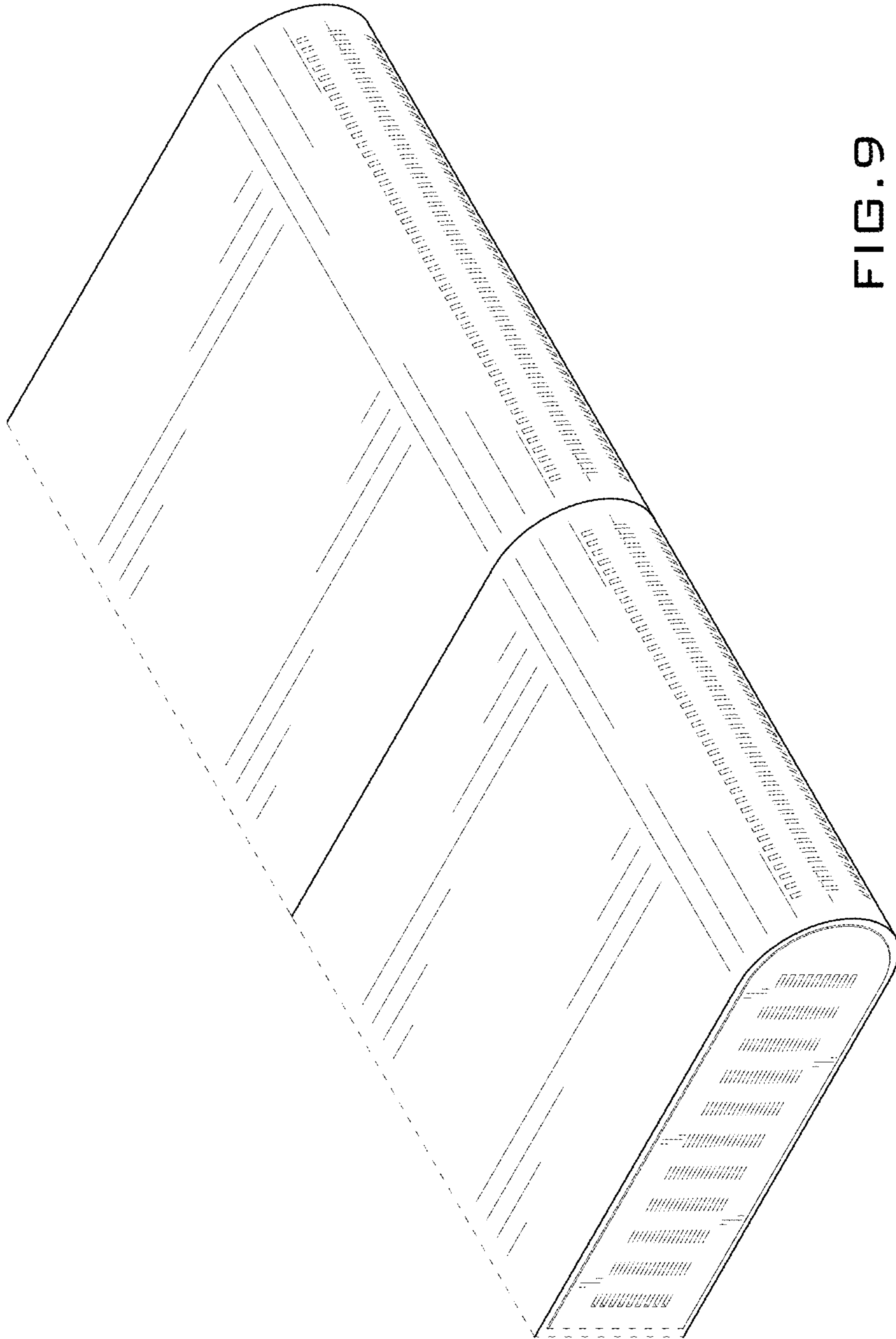


FIG. 9