



US00D989158S

(12) **United States Design Patent**
Wang et al.

(10) **Patent No.:** **US D989,158 S**
(45) **Date of Patent:** **** Jun. 13, 2023**

(54) **CAMERA LENS CAP**
(71) Applicant: **SHENZHEN NEEWER TECHNOLOGY CO. LTD**, Shenzhen (CN)
(72) Inventors: **Jun Wang**, Shenzhen (CN); **Yan Ke**, Shenzhen (CN)
(73) Assignee: **SHENZHEN NEEWER TECHNOLOGY CO. LTD**, Shenzhen (CN)

D649,574 S * 11/2011 Kobayashi D16/219
D650,821 S * 12/2011 Verhey D16/134
D682,908 S * 5/2013 Nakajima D16/200
D702,278 S * 4/2014 Kim D16/237
D736,848 S 8/2015 Kim et al.
D740,345 S * 10/2015 Fujita D16/237
D745,592 S * 12/2015 Oh D16/134
D776,737 S 1/2017 Horton et al.
D777,237 S * 1/2017 Kobayashi D16/219
D784,437 S * 4/2017 Kobayashi D16/219
D788,203 S * 5/2017 Kobayashi D16/219
D809,582 S * 2/2018 Pröll D16/133

(Continued)

(**) Term: **15 Years**

Primary Examiner — Ramzi Almatrahi
(74) *Attorney, Agent, or Firm* — Westbridge IP LLC

(21) Appl. No.: **29/870,560**

(57) **CLAIM**

(22) Filed: **Jan. 30, 2023**

The ornamental design for a camera lens cap, as shown and described.

(30) **Foreign Application Priority Data**

DESCRIPTION

Nov. 16, 2022 (CN) 202223052049.0
(51) **LOC (14) Cl.** **16-05**
(52) **U.S. Cl.**
USPC **D16/219**
(58) **Field of Classification Search**
USPC D16/134, 136, 200, 202–208, 218, 219, D16/235
CPC G03B 17/02; G03B 19/04; G03B 17/56; G03B 17/04; G03B 15/03; H04N 5/2251; H04N 5/2252; H04N 5/2253; H04N 5/2254; H04N 23/50; H04N 23/51; H04N 23/54; H04N 23/55; H04N 23/63; F16M 11/04

FIG. 1 is a front perspective view of a camera lens cap showing our new design;
FIG. 2 is a rear perspective view thereof;
FIG. 3 is a front elevation view thereof;
FIG. 4 is a rear elevation view thereof;
FIG. 5 is a left side elevation view thereof;
FIG. 6 is a right side elevation view thereof;
FIG. 7 is a top plan view thereof;
FIG. 8 is a bottom plan view thereof;
FIG. 9 is an enlarged view of portion 9 shown in FIG. 1;
FIG. 10 is an enlarged view of portion 10 shown in FIG. 2; and,
FIG. 11 is an enlarged view of portion 11 shown in FIG. 5.
The dash-dash broken lines in the drawings depict the portions of the camera lens cap which form no part of the claimed design.
The dot-dash broken lines in the drawings depict the boundaries of the partial enlarged views that form no part of the claimed design.

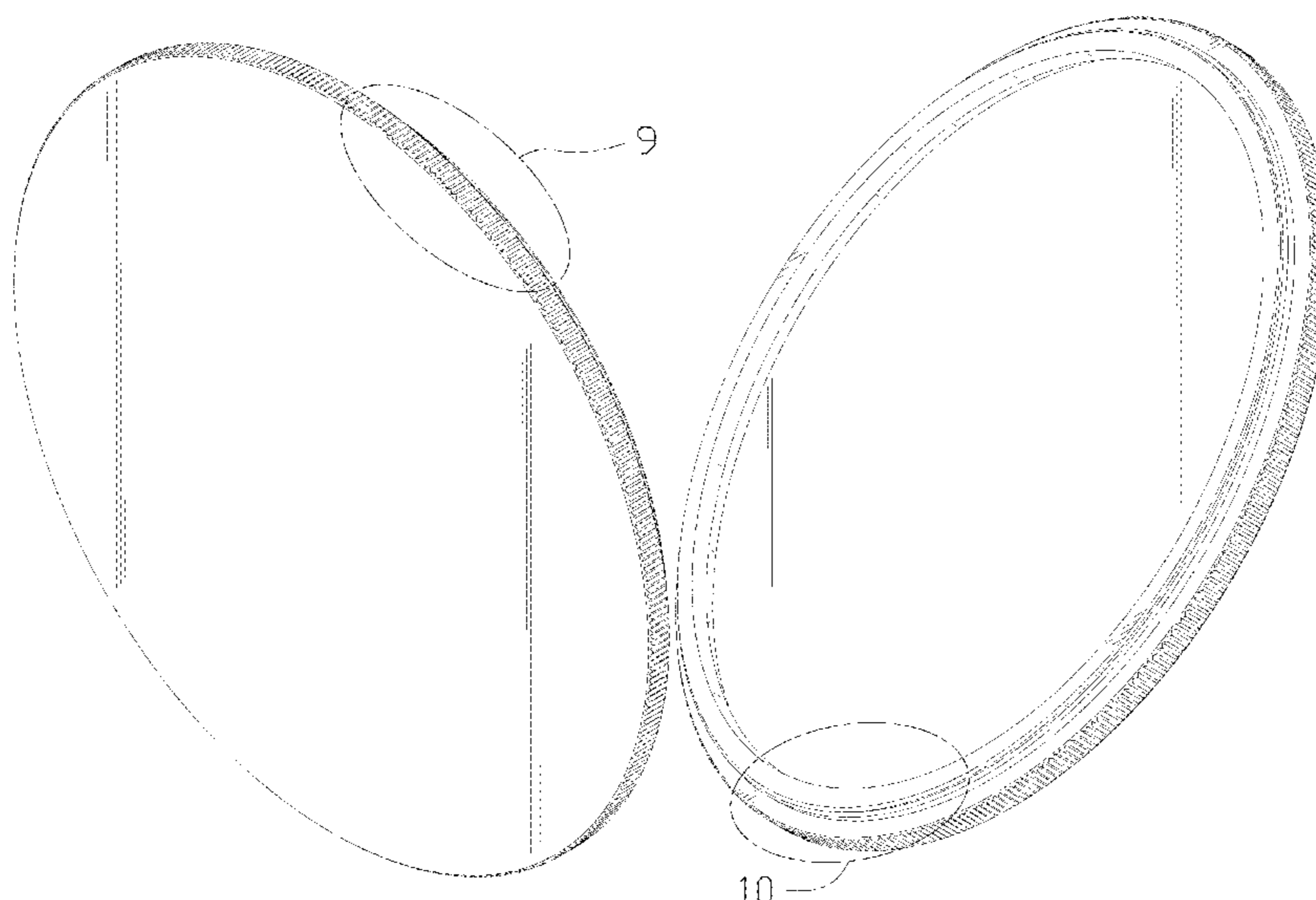
See application file for complete search history.

(56) **References Cited**

1 Claim, 11 Drawing Sheets

U.S. PATENT DOCUMENTS

D278,087 S * 3/1985 Pruefer D16/101
D529,065 S 9/2006 Watanabe
D628,615 S 12/2010 Siegel et al.



(56)

References Cited

U.S. PATENT DOCUMENTS

D822,753 S	7/2018	Martinez	
D833,508 S *	11/2018	Overall	D16/219
D848,513 S *	5/2019	Martinez	D16/219
D860,293 S	9/2019	Lowell	
D905,783 S	12/2020	Baba et al.	

* cited by examiner

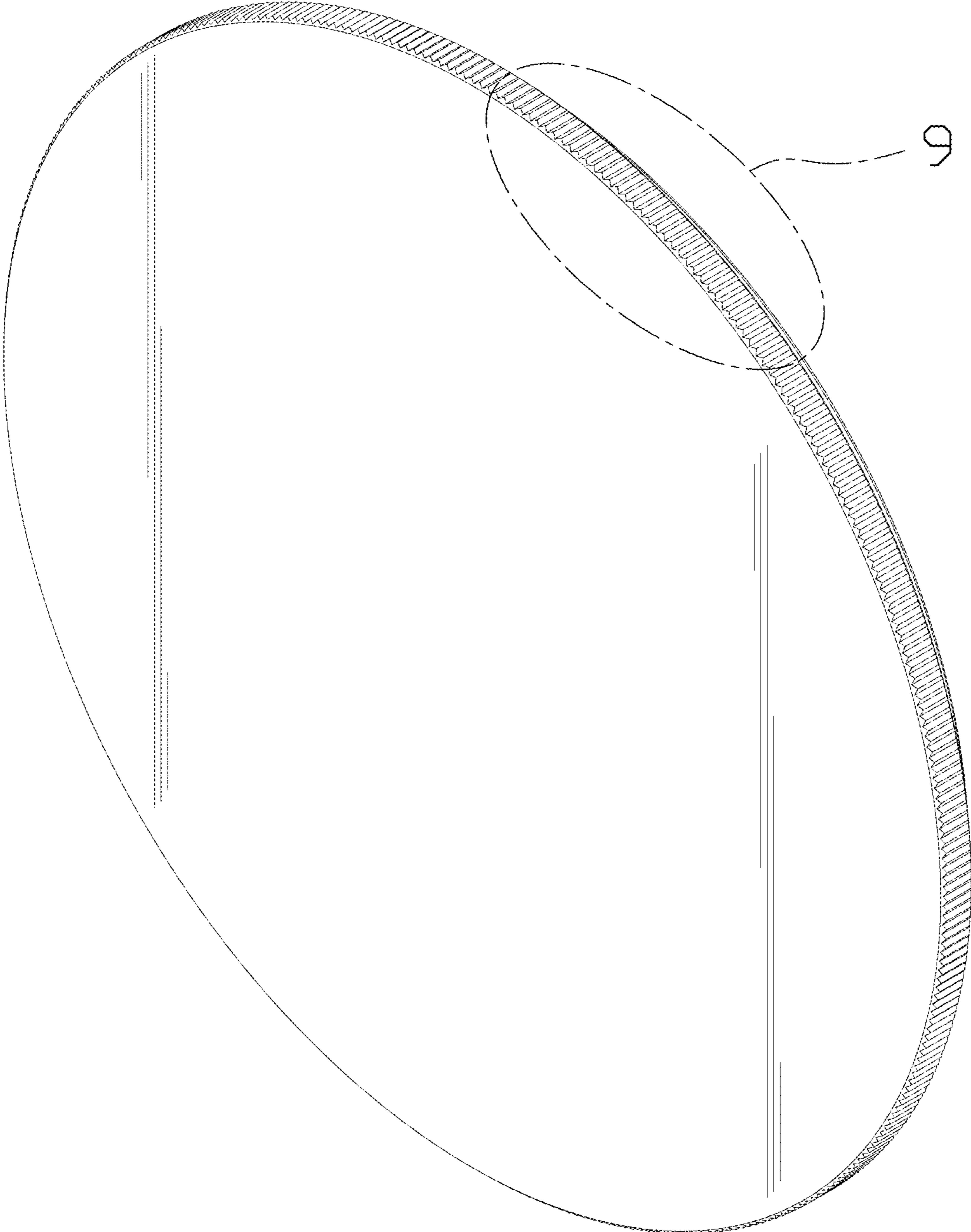


FIG. 1

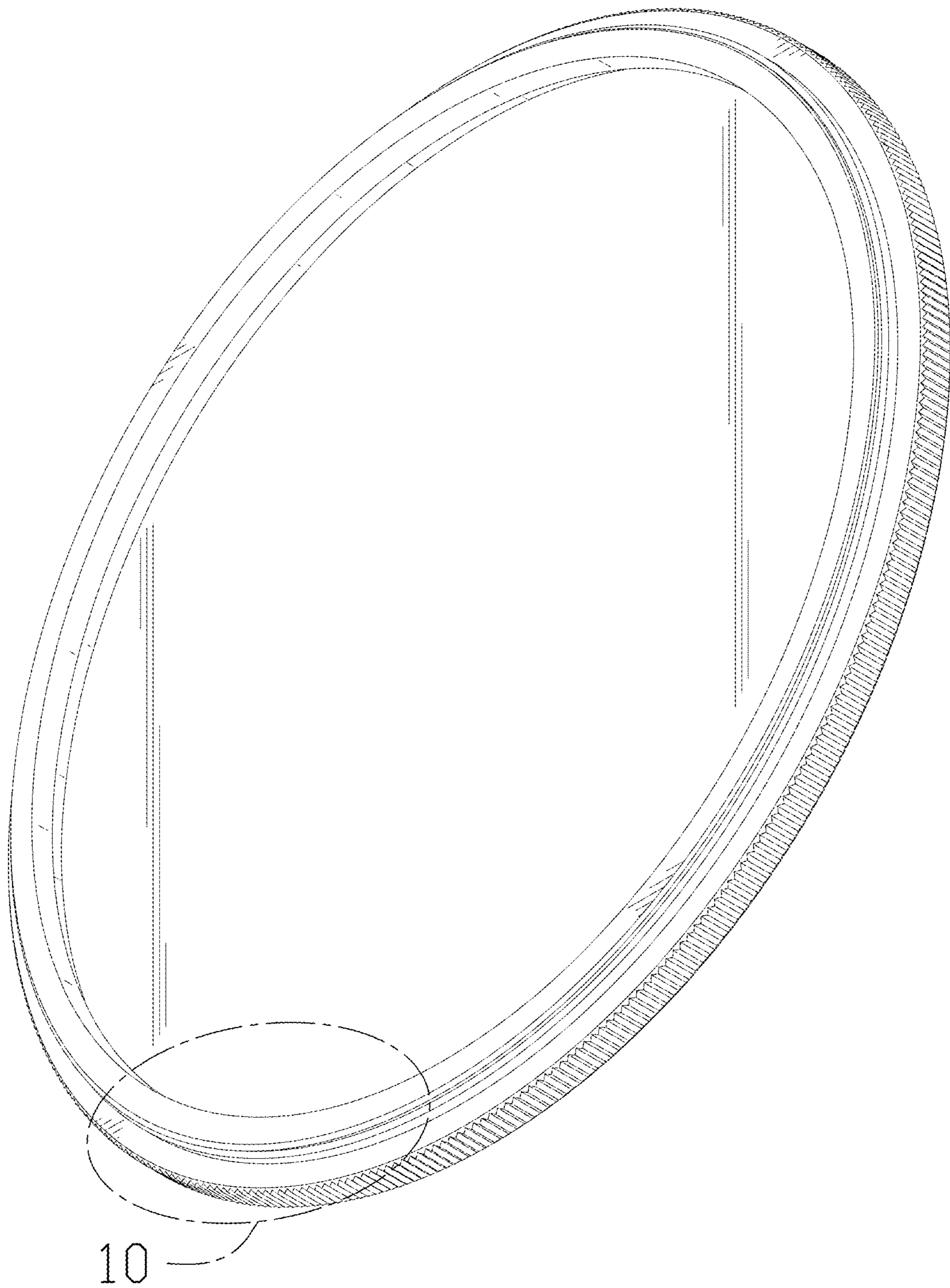


FIG. 2

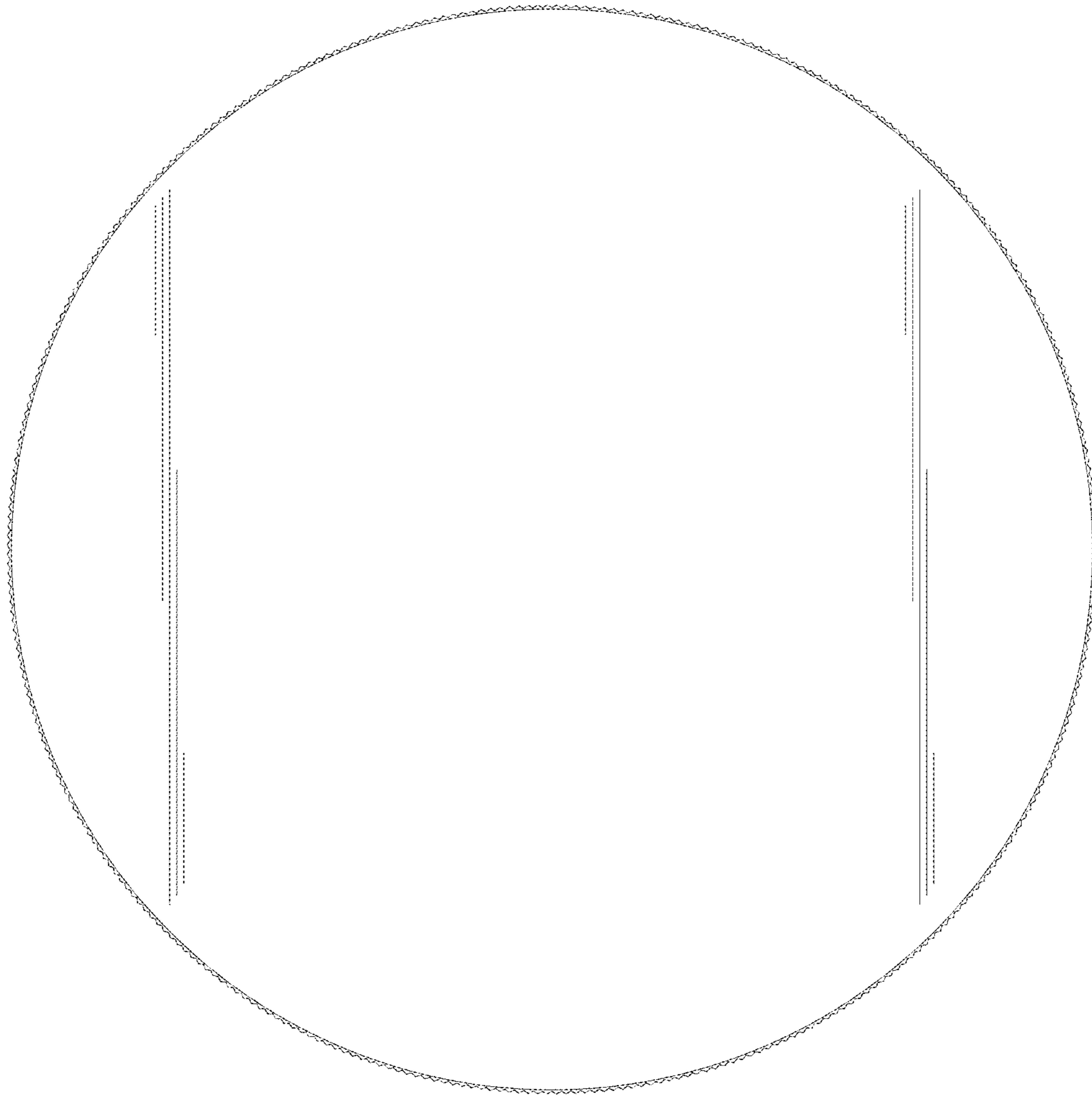


FIG. 3

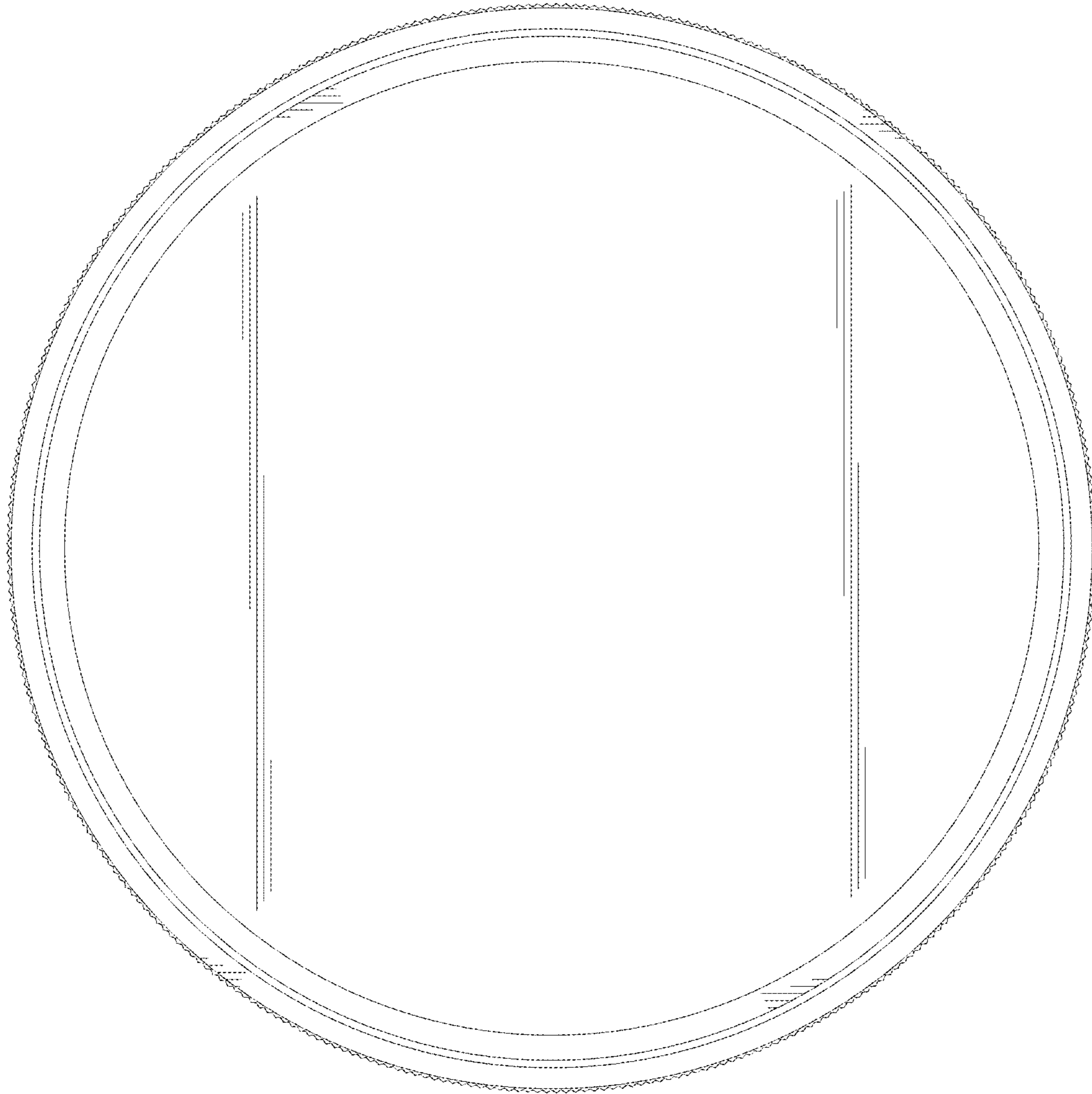


FIG. 4

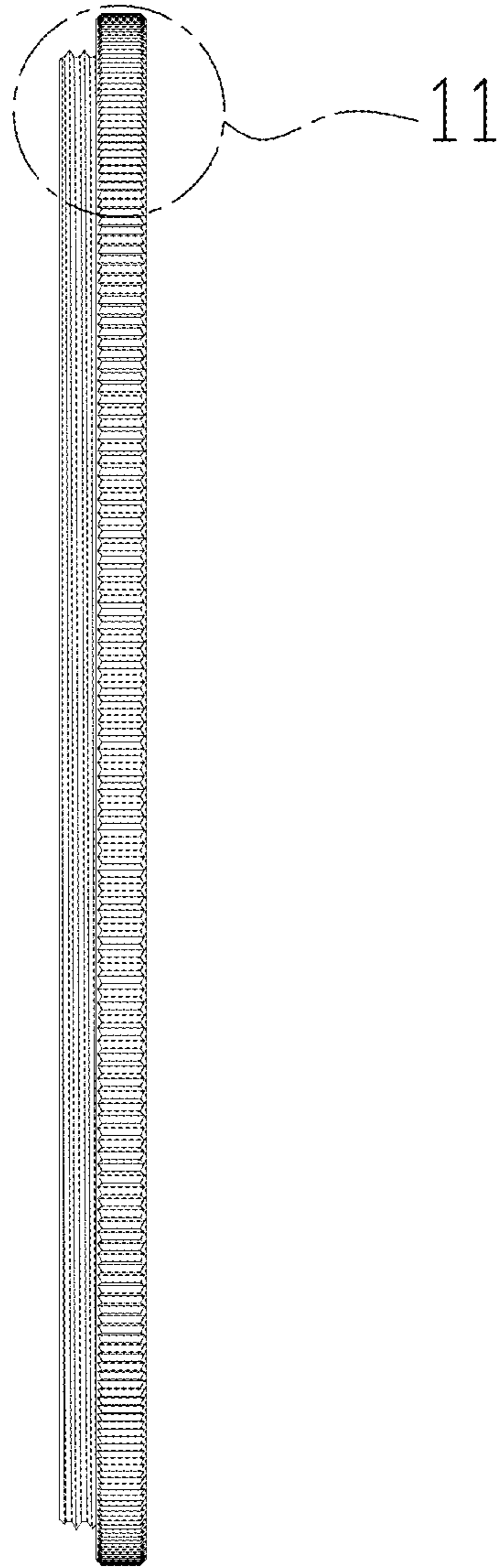


FIG. 5

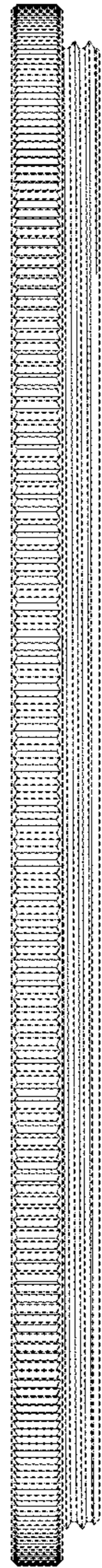


FIG. 6

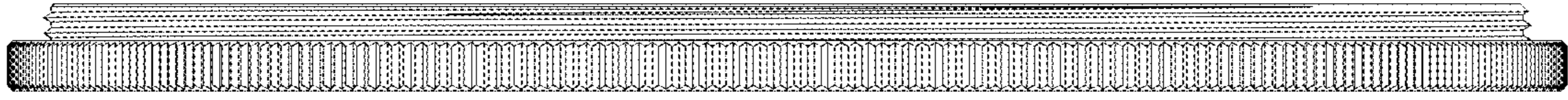


FIG. 7

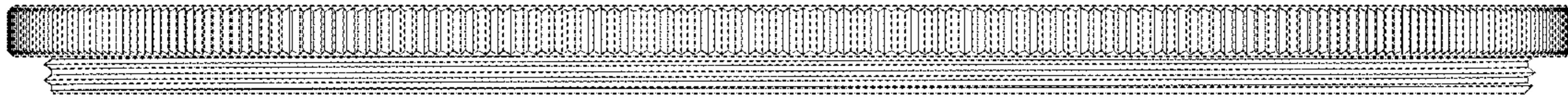


FIG. 8

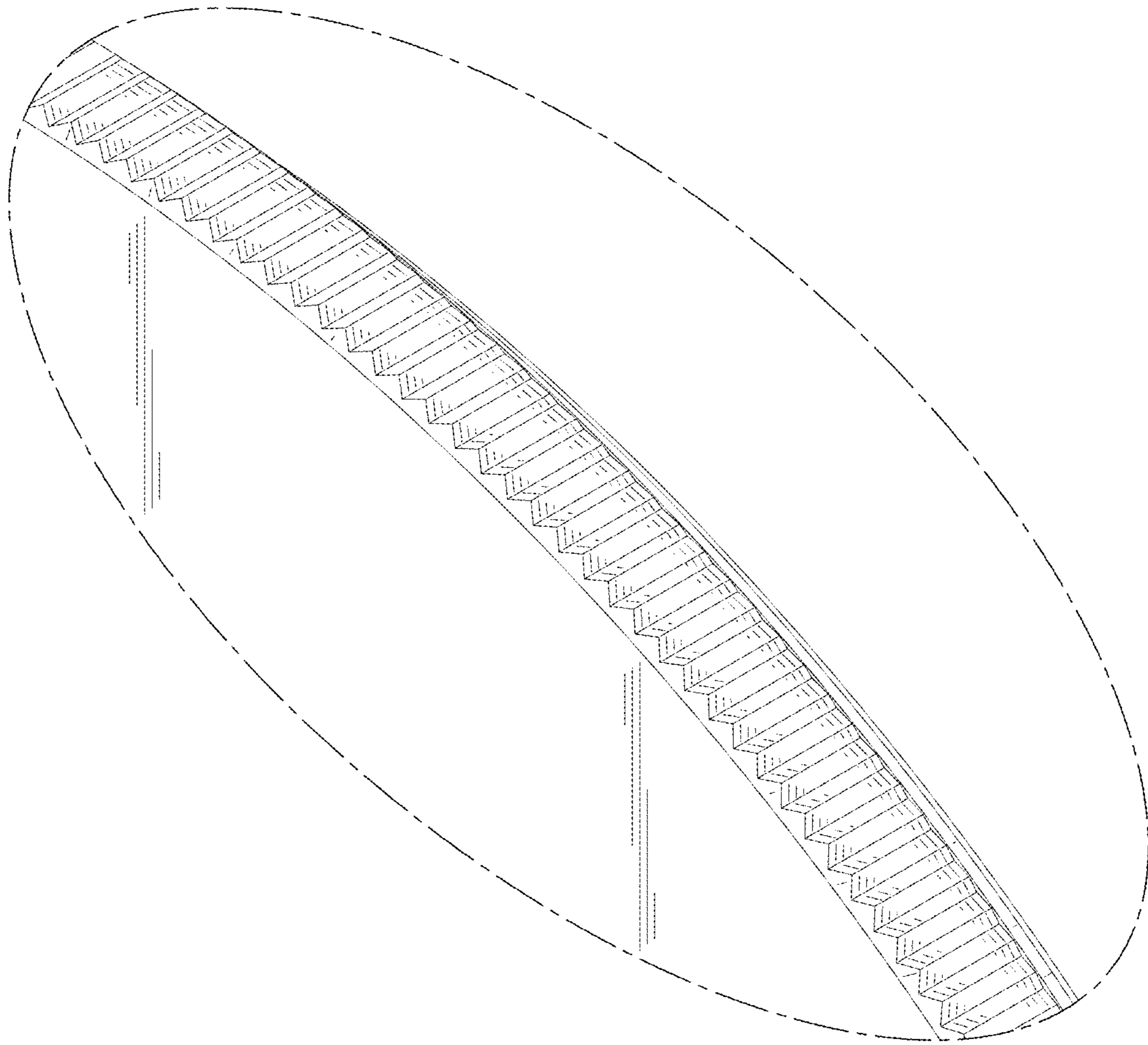


FIG. 9

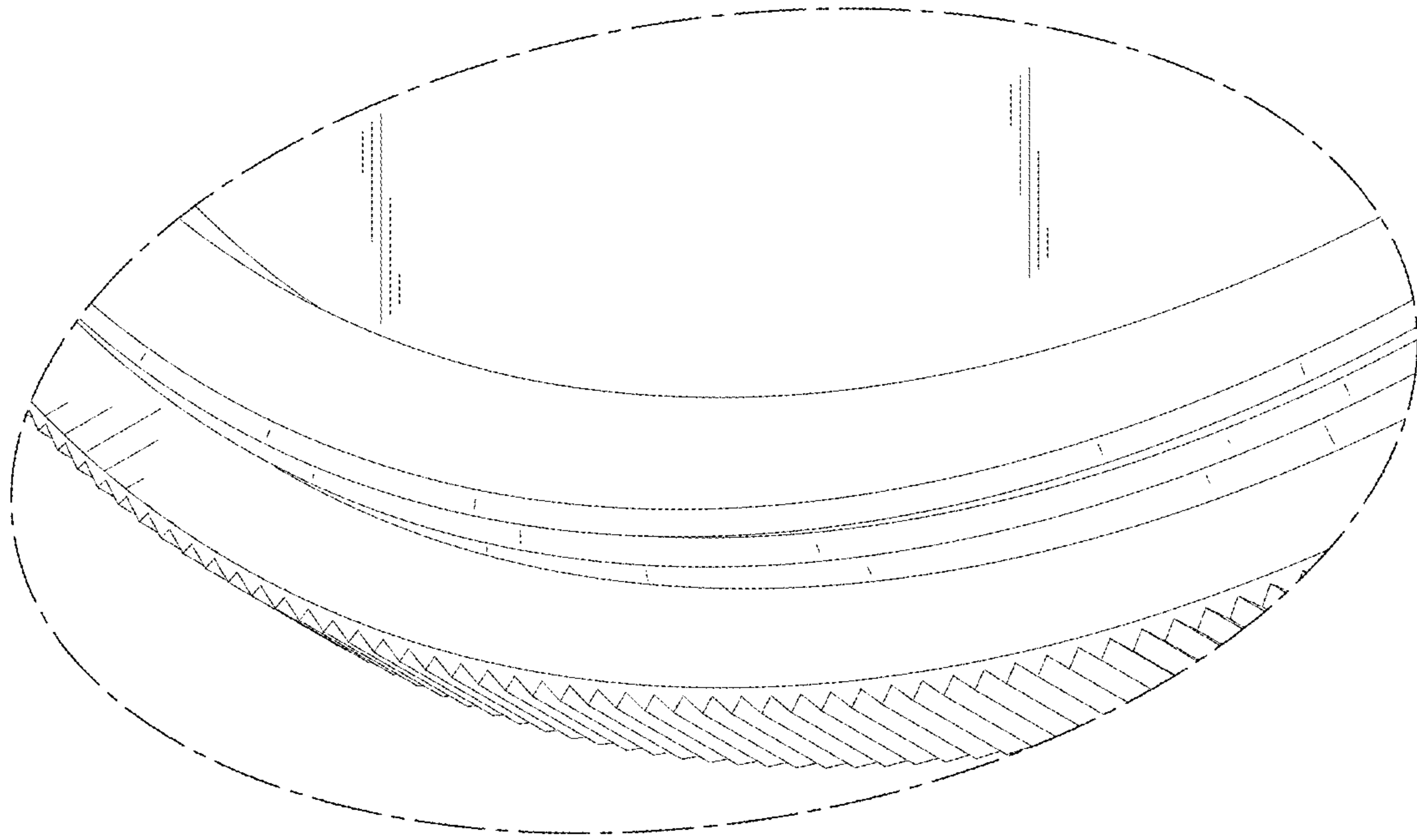


FIG. 10

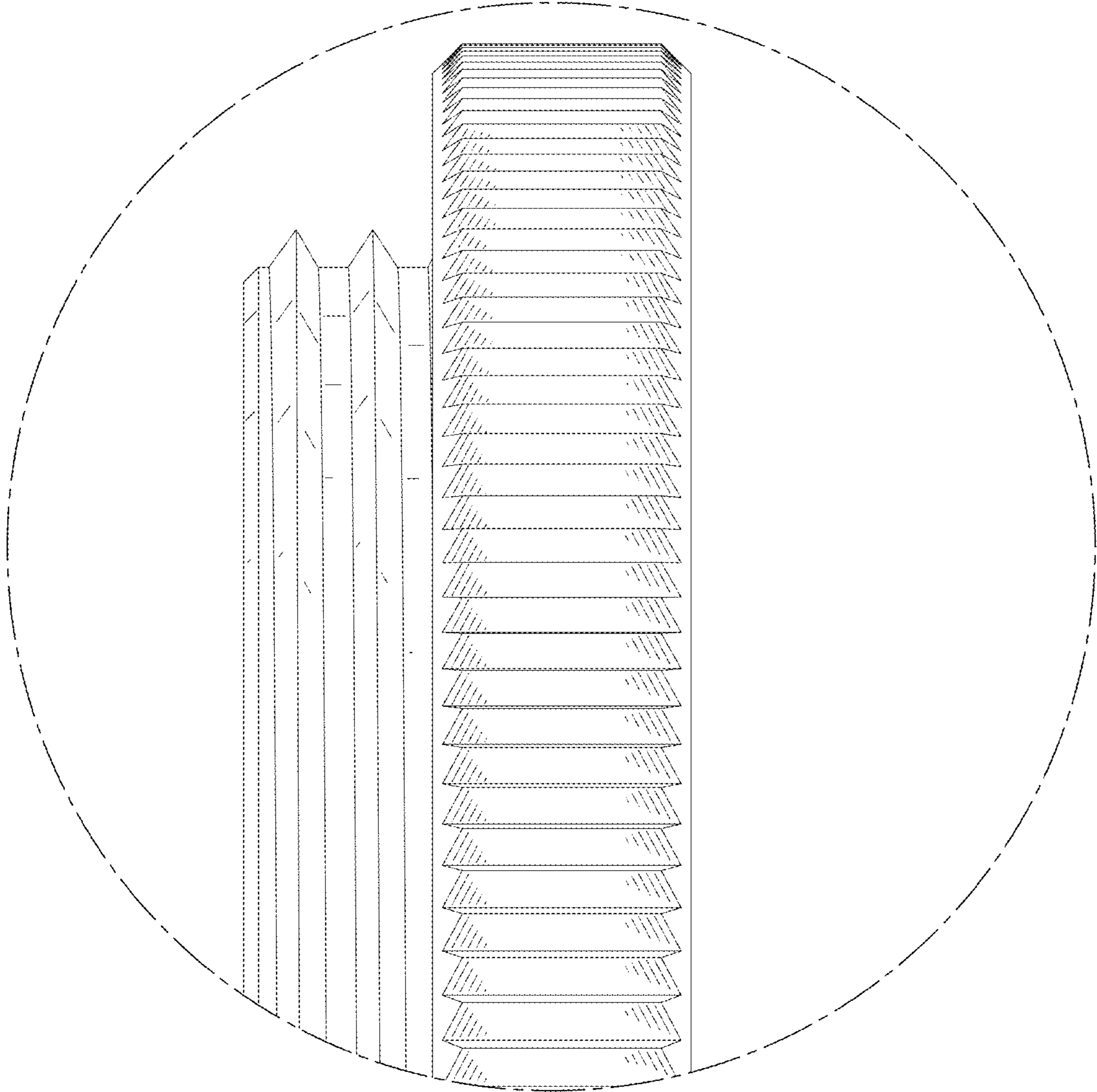


FIG. 11