



US00D989156S

(12) **United States Design Patent** (10) **Patent No.:** **US D989,156 S**
Kresge (45) **Date of Patent:** **** Jun. 13, 2023**

(54) **CAMERA HEAD**

(71) Applicant: **David Kresge**, Broad Brook, CT (US)

(72) Inventor: **David Kresge**, Broad Brook, CT (US)

(**) Term: **15 Years**

(21) Appl. No.: **29/776,287**

(22) Filed: **Mar. 29, 2021**

(51) **LOC (14) Cl.** **16-01**

(52) **U.S. Cl.**
USPC **D16/218**

(58) **Field of Classification Search**

USPC D16/237, 219, 239–245, 250, 214, 200,
D16/201, 203, 204, 209, 218, 202;
D14/251, 253; D3/268, 269, 263, 267

CPC G03B 2215/0567; G03B 17/02; G08B
13/19619; F16M 11/08; G01N 21/954

See application file for complete search history.

(56) **References Cited**

U.S. PATENT DOCUMENTS

5,939,679	A	8/1999	Olsson	
6,322,258	B1	11/2001	Ryan	
D677,705	S *	3/2013	Tao	D16/202
D679,616	S *	4/2013	Sun	D10/104.1
8,540,429	B1	9/2013	Olsson	
9,172,855	B1 *	10/2015	Mohan	H04N 5/2252
10,221,988	B2 *	3/2019	Van Der Ven	E03F 7/12
10,291,828	B1	5/2019	Hsu	
10,841,465	B1 *	11/2020	Dvorsky	H04N 5/2259
D912,124	S *	3/2021	Wigney	D16/218
10,935,880	B2	3/2021	Olsson	
2004/0083829	A1 *	5/2004	Chapman	G01N 21/8806 73/865.8
2010/0277617	A1	11/2010	Hollinger	
2011/0030478	A1 *	2/2011	Park	F22B 37/005 73/622
2013/0050495	A1	2/2013	Chen	
2014/0152802	A1 *	6/2014	Olsson	G01N 21/8803 348/84

2015/0249777 A1* 9/2015 Chen G08B 13/19619
348/151

2016/0139061 A1 5/2016 Kesselberg

2016/0261829 A1 9/2016 Olsson

2017/0295629 A1 10/2017 Chiu

(Continued)

FOREIGN PATENT DOCUMENTS

CN 203193762 U 9/2013

CN 206775611 U 12/2017

(Continued)

OTHER PUBLICATIONS

“Snaplok Dryer Cam,” 2022, retrieved Aug. 15, 2022 from <https://snaploksystems.com/all-products/ols/products/new-snaplok-dryercam-sdc-plus> (Year: 2022).*

(Continued)

Primary Examiner — Maria J. Edwards

Assistant Examiner — Dina Michelle Hoeynck

(74) *Attorney, Agent, or Firm* — Getz Balich LLC

(57) **CLAIM**

I claim the ornamental design for a camera head, as shown and described.

DESCRIPTION

FIG. 1 is a front perspective view of the camera head;

FIG. 2 is a back perspective view of the camera head.

FIG. 3 is a front plan view of the camera head;

FIG. 4 is a back plan view of the camera head;

FIG. 5 is a top plan view of the camera head;

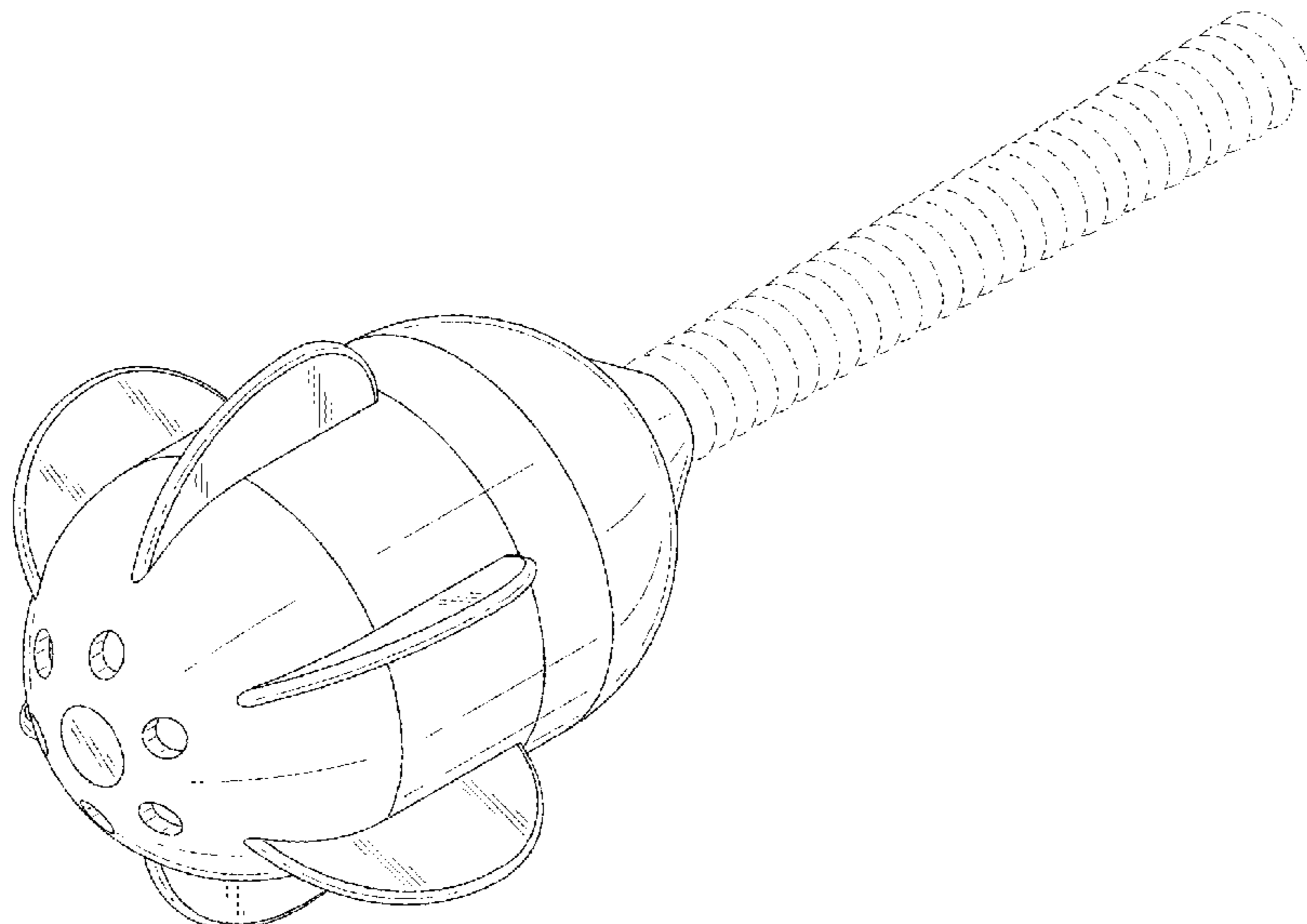
FIG. 6 is a bottom plan view of the camera head;

FIG. 7 is a right-side plan view of the camera head; and,

FIG. 8 is a left-side plan view of the camera head.

The broken lines depict portions of the article that form no part of the claimed design.

1 Claim, 6 Drawing Sheets



(56)

References Cited

U.S. PATENT DOCUMENTS

2017/0331986	A1	11/2017	Houba	
2019/0389548	A1*	12/2019	Cole	G05D 1/0094
2021/0044728	A1*	2/2021	Greenberg	H04N 5/2252
2021/0181596	A1*	6/2021	Chen	G03B 11/043
2021/0260879	A1*	8/2021	Simpfendorfer	B41J 2/16579
2022/0082509	A1*	3/2022	Bello	G01N 29/223

FOREIGN PATENT DOCUMENTS

JP	2006114962	4/2006
JP	2009246864 A	10/2009
JP	4937593	5/2012

OTHER PUBLICATIONS

“2.4Ghz Wireless mini sewer Camera with 5 inch DVR (LED Night Vision;5"LCD Instant Video, Memory up to 32G)”, Web page

<https://www.alibaba.com/product-detail/2-4Ghz-Wireless-mini-sewer-Camera_60090138066.html>, Feb. 27, 2015, retrieved from Internet Archive Wayback Machine <https://web.archive.org/web/20150227102138/https://www.alibaba.com/product-detail/2-4Ghz-Wireless-mini-sewer-Camera_60090138066.html> on May 25, 2021. “Video Inspection System”, Web Page <http://www.rovacsystems.com/video_sys.html>, Aug. 22, 2018, retrieved from Internet Archive Wayback Machine <https://web.archive.org/web/20180822173559/http://www.rovacsystems.com/video_sys.html> on May 25, 2021. Ferret Tools, “Ferret WiFi”, YouTube video uploaded Feb. 25, 2018, Still Captures from streaming video at https://www.youtube.com/watch?app=desktop&v=P2_zc3QKrnU, Captured on May 24, 2021. Steven Anysun, “Anysun Pipe Drain & Sewer Inspection Camera AS7D1DVR30M”, YouTube video uploaded Nov. 17, 2016, Still Captures from streaming video at https://www.youtube.com/watch?app=desktop&v=OrK_sgfA-5Q, Captured on May 25, 2021.

* cited by examiner

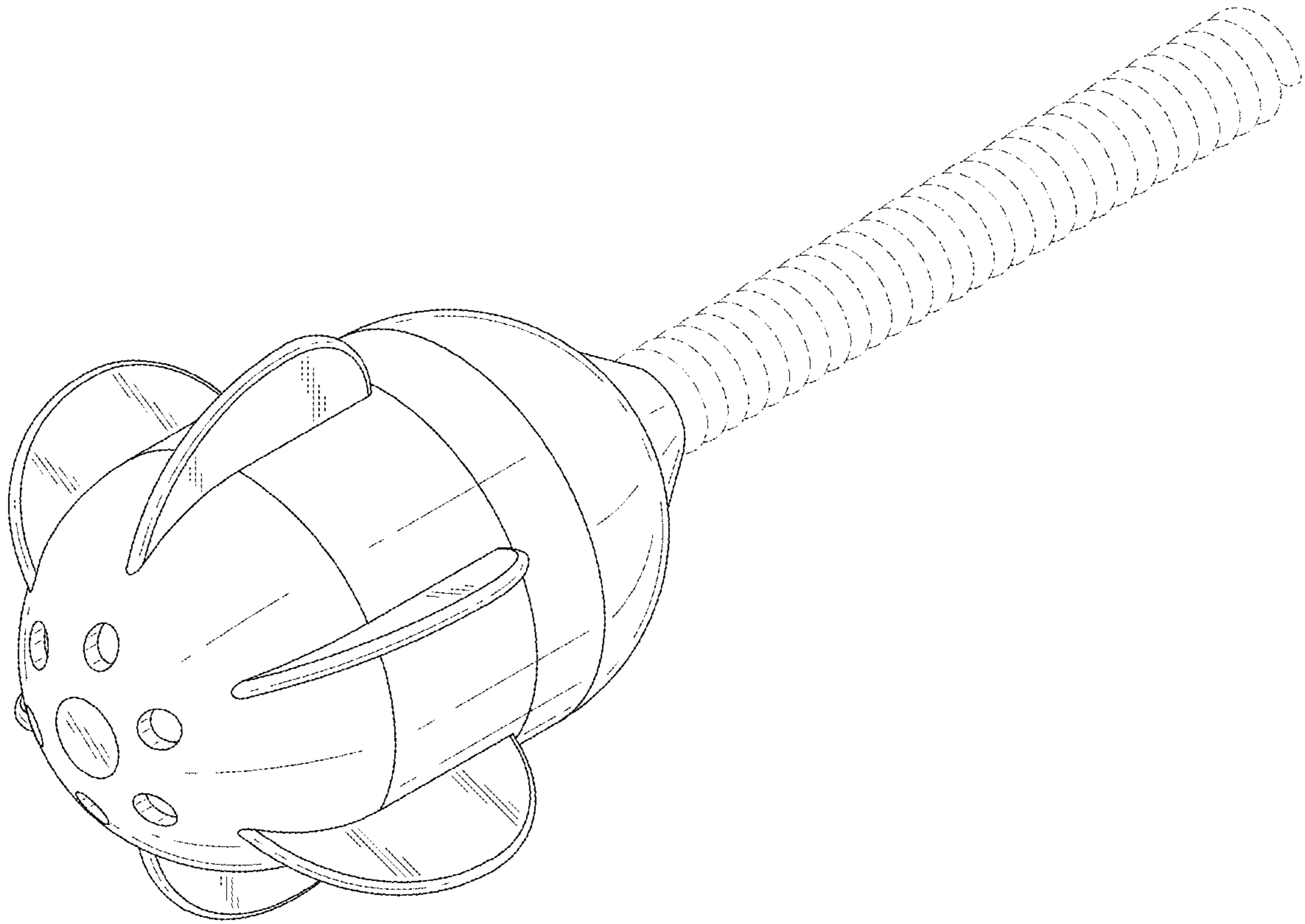


FIG. 1

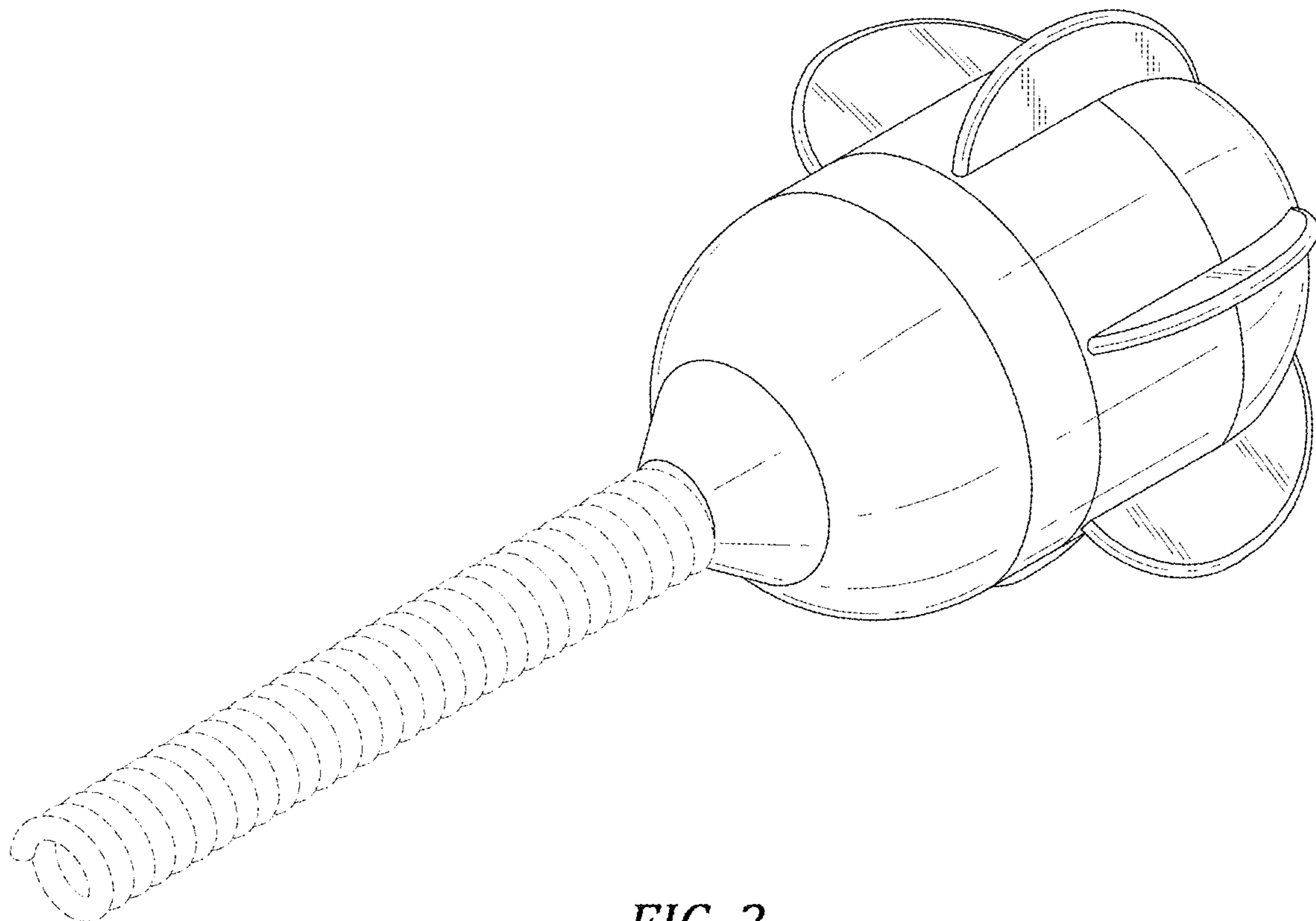


FIG. 2

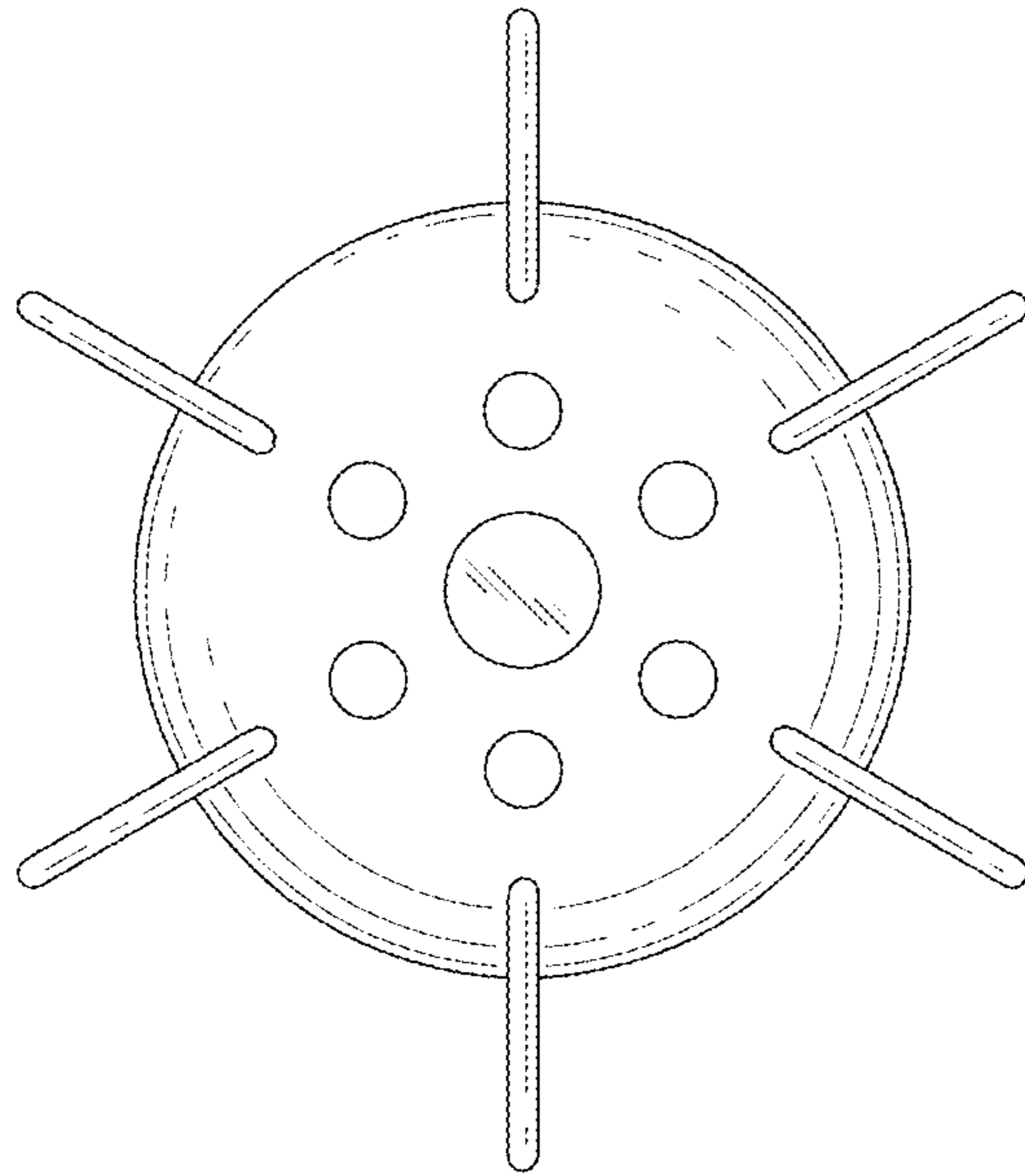


FIG. 3

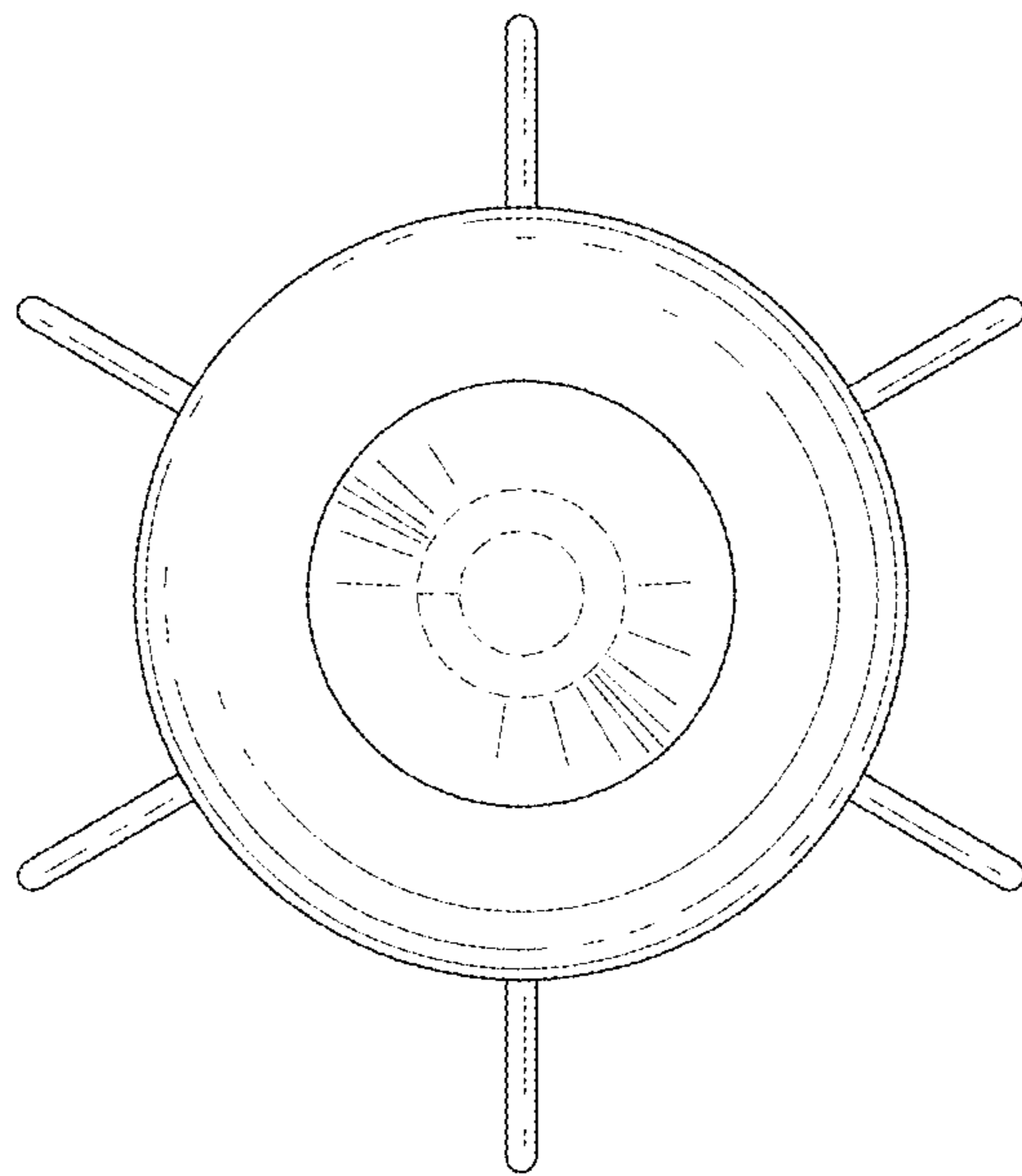


FIG. 4

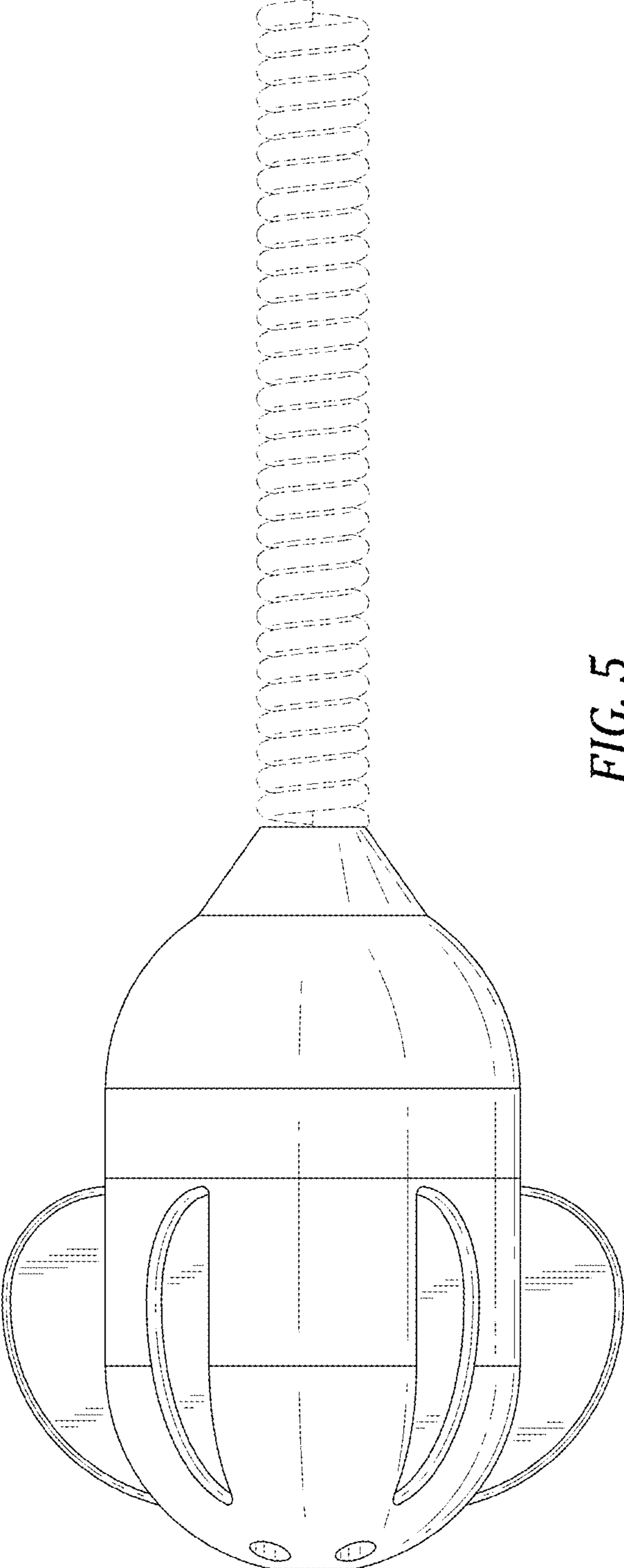


FIG. 5

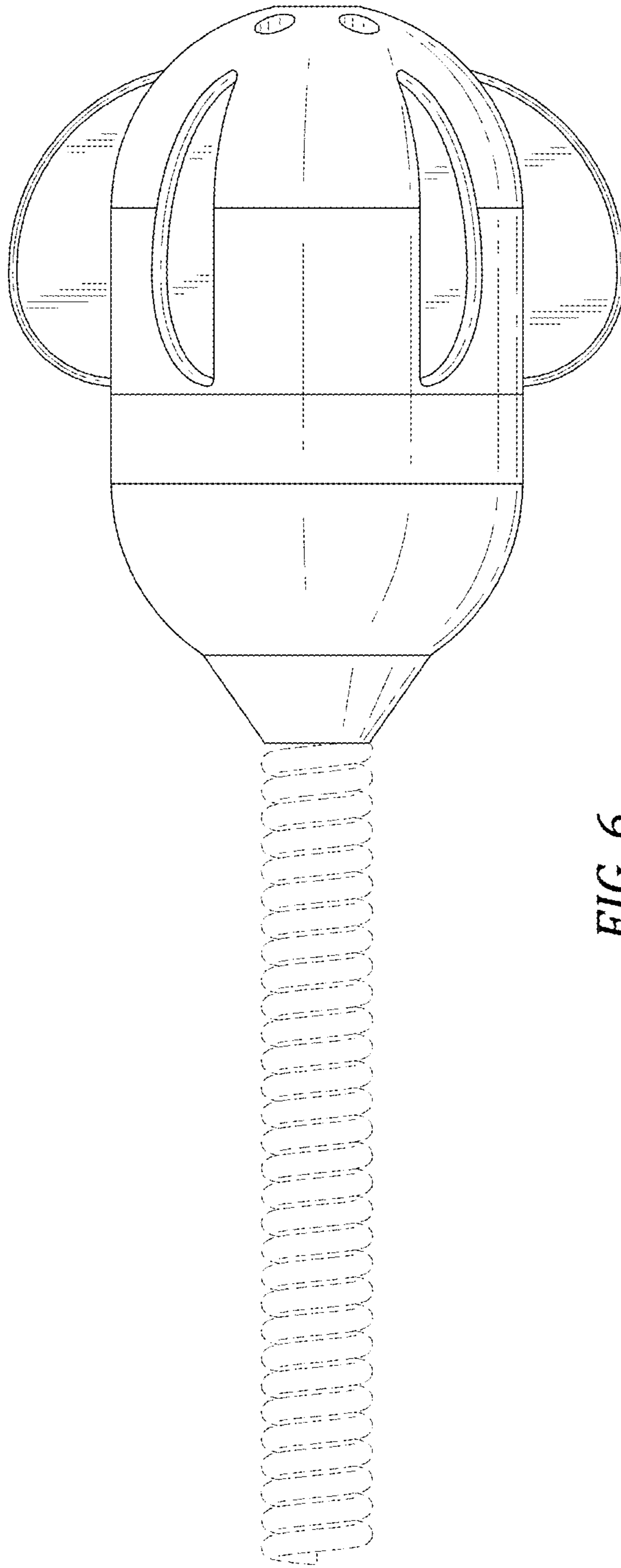


FIG. 6

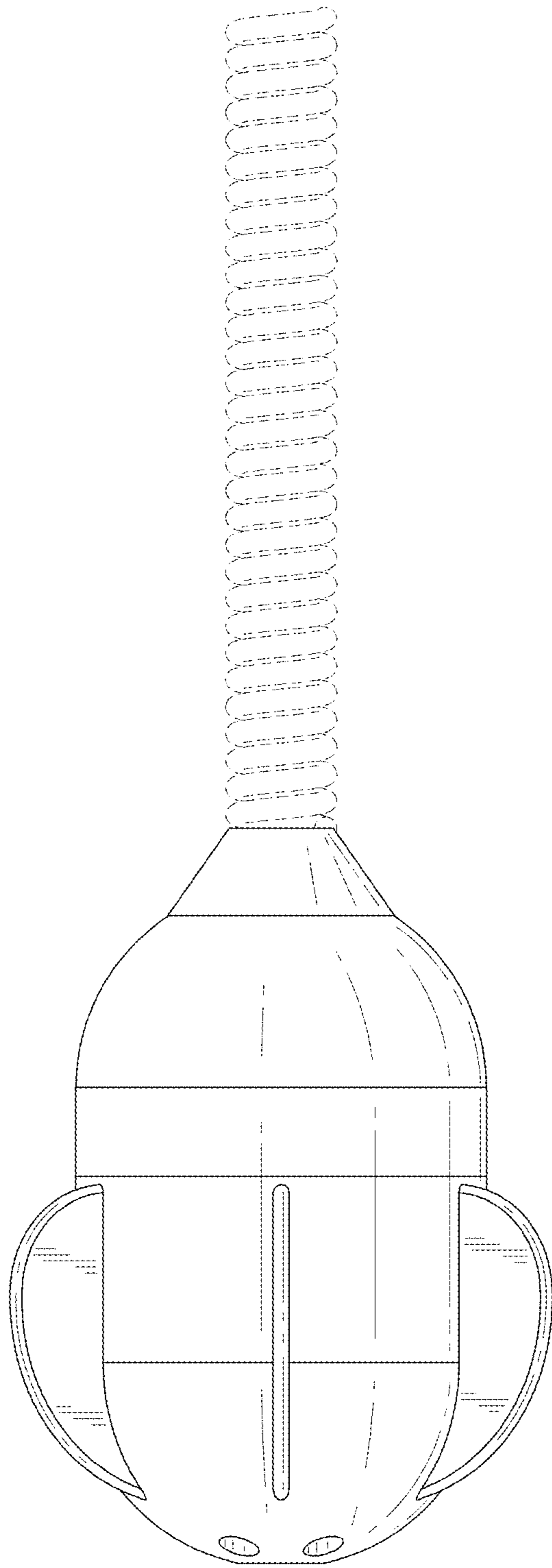


FIG. 7

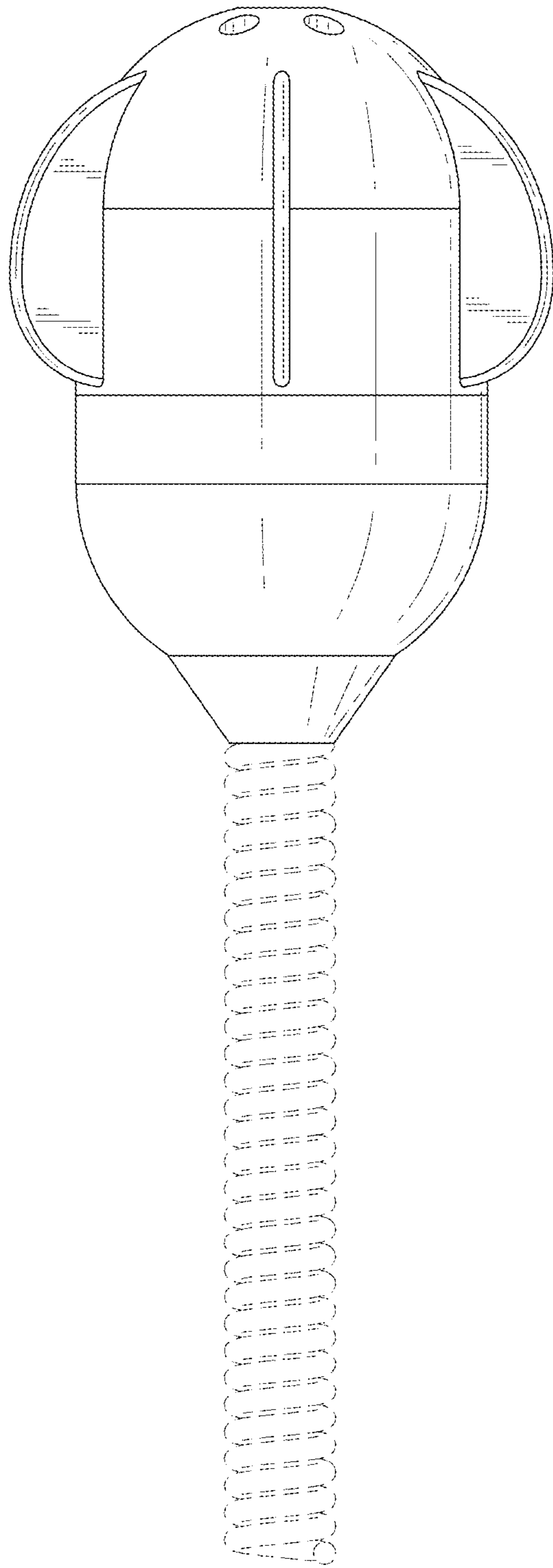


FIG. 8