



US00D989155S

(12) **United States Design Patent**
Kim et al.

(10) **Patent No.:** **US D989,155 S**
(45) **Date of Patent:** **** Jun. 13, 2023**

(54) **CAMERA**

(71) Applicant: **Google LLC**, Mountain View, CA (US)

(72) Inventors: **Moonchul Kim**, Mountain View, CA (US); **Sung Bai**, San Jose, CA (US); **Maj Isabelle Olsson**, Sunnyvale, CA (US); **Étienne Bérubé**, San Francisco, CA (US)

(73) Assignee: **GOOGLE LLC**, Mountain View, CA (US)

(**) Term: **15 Years**

(21) Appl. No.: **29/846,184**

(22) Filed: **Jul. 14, 2022**

Related U.S. Application Data

(63) Continuation of application No. 29/756,322, filed on Oct. 27, 2020, now Pat. No. Des. 962,322.

(51) **LOC (14) Cl.** **16-01**

(52) **U.S. Cl.**
USPC **D16/203**

(58) **Field of Classification Search**
USPC D16/200–203, 207, 217; D10/22, 46, 49, D10/104.1, 106.1, 106.5, 114.8; D14/209, 216, 506, 509, 510
CPC G03B 17/00; G03B 17/02; H04N 23/50; H04N 23/55
See application file for complete search history.

(56) **References Cited**

U.S. PATENT DOCUMENTS

D194,210 S * 12/1962 Midlock D14/137
D211,353 S * 6/1968 Bagno D10/116.1
D394,274 S 5/1998 Suzuki
D591,267 S * 4/2009 Files D12/114
D656,043 S * 3/2012 Westerlund D10/22
D745,910 S * 12/2015 Hollinger D16/203
D830,443 S 10/2018 Borel et al.

D831,595 S 10/2018 Mittleman et al.
D838,304 S * 1/2019 Mittleman D16/203
D842,357 S * 3/2019 Maiwald D16/203
D843,431 S * 3/2019 Jacob D16/203
D845,373 S * 4/2019 Mittleman D16/202
D858,604 S 9/2019 Clement et al.

(Continued)

FOREIGN PATENT DOCUMENTS

CA 169414 * 12/2018
CN 303969919 S 12/2016

(Continued)

OTHER PUBLICATIONS

“Eufy Security—Outdoor Cam Pro Wired 2K Spotlight Camera—White” from Bestbuy.com, first retrieved Feb. 6, 2023 from the internet <<https://www.bestbuy.com/site/eufy-security-outdoor-cam-pro-wired-2k-spotlight-camera-white/6460110.p?skuId=6460110&>> (Year: 2023).*

“Google Nest Cam IQ Outdoor Security Camera” from Bhphotovideo.com, first retrieved Feb. 6, 2023 from the internet <https://www.bhphotovideo.com/c/product/1365625-REG/nest_nc4100us_cam_iq_outdoor_security.html> (Year: 2023).*

(Continued)

Primary Examiner — Elizabeth J Oswecki

Assistant Examiner — Lacey Chey Bowman

(74) *Attorney, Agent, or Firm* — Leason Ellis LLP

(57)

CLAIM

The ornamental design for a camera, as shown and described.

DESCRIPTION

FIG. 1 is a front perspective view of a camera showing our new design;

FIG. 2 is a front elevational view thereof;

FIG. 3 is a rear elevational view thereof;

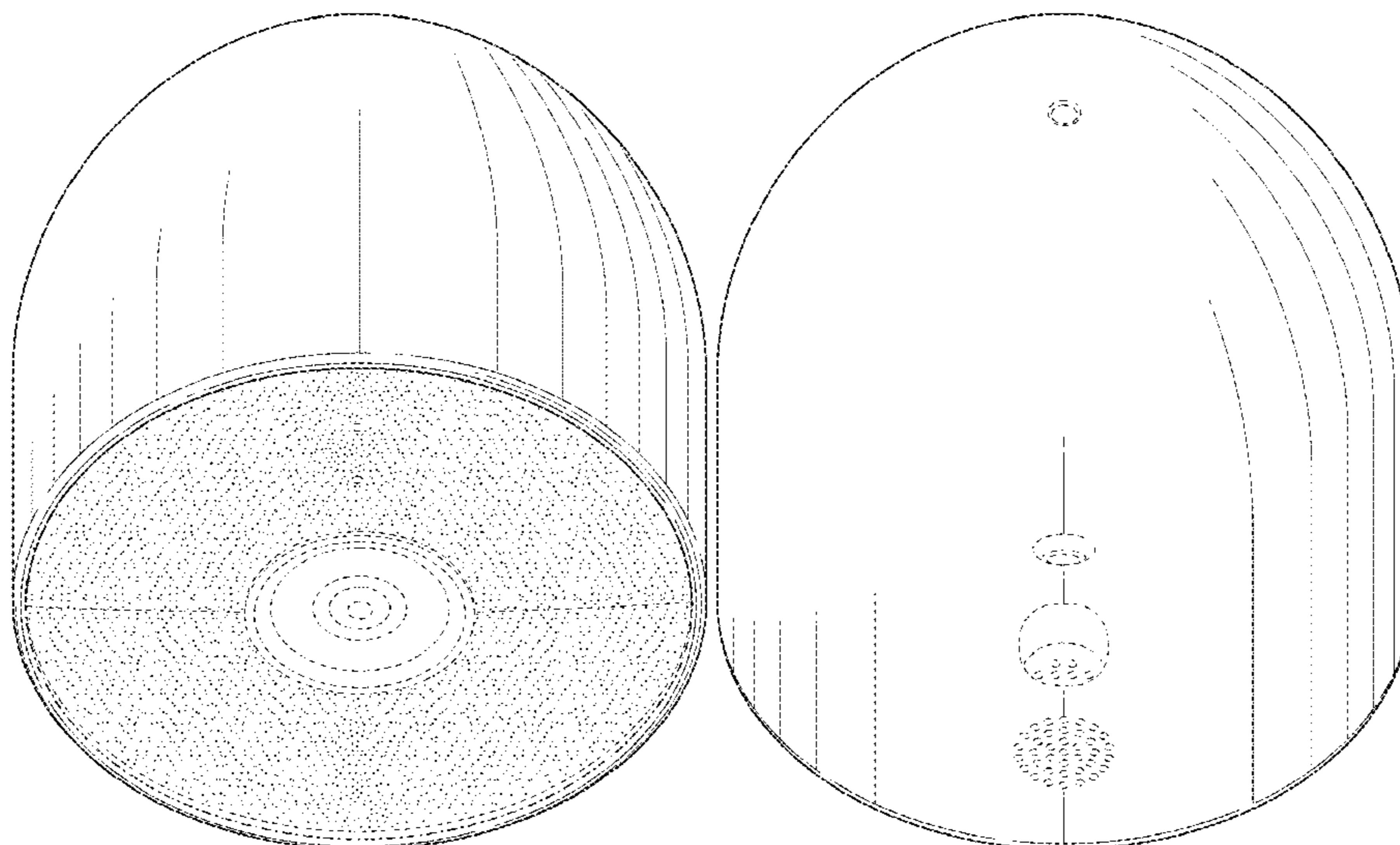
FIG. 4 is a top plan view thereof;

FIG. 5 is a bottom plan view thereof;

FIG. 6 is a left-side elevational view thereof; and,

FIG. 7 is a right-side elevational view thereof.

1 Claim, 7 Drawing Sheets



(56)

References Cited

U.S. PATENT DOCUMENTS

D879,859	S	3/2020	Jacob et al.	
D892,898	S	8/2020	Jacob et al.	
D924,301	S *	7/2021	Tseng	D16/203
D961,650	S *	8/2022	Kim	D16/203
D962,322	S *	8/2022	Kim	D16/203
D969,776	S *	11/2022	Puckett	D14/204
D970,590	S *	11/2022	Thorne	D16/203
D971,289	S *	11/2022	Thorne	D16/203
D971,988	S *	12/2022	Lee	D16/203
D973,225	S *	12/2022	Tompkin	D24/231
D974,442	S *	1/2023	Li	D16/202
2018/0013934	A1 *	1/2018	Germe	H04N 23/51
2018/0191929	A1 *	7/2018	Kraz	H04R 1/023
2020/0244845	A1	7/2020	Rukes et al.	

FOREIGN PATENT DOCUMENTS

CN	305913418	7/2020
CN	306704903	* 7/2021
CN	306825679	9/2021

OTHER PUBLICATIONS

Taiwan Office Action and Search Report for Design Application No. 110306154, dated Sep. 2, 2022, with translation, 26 pages.

“Nooie Outdoor Security Camera, 1080P Night Vision Surveillance Cameras, 2.4G WiFi, IP66 Weatherproof, 2-Way Audio, Motion Detection, Activity Alert, Deterrent Alarm—Works with Alexa” from Amazon.com, first available Jul. 25, 2019 from the internet <[https:// www.amazon.com/dp/B07VNQVL37/](https://www.amazon.com/dp/B07VNQVL37/)> (Year: 2019).

“Nest Cam (Battery)—Indoor and Outdoor Wireless Smart Home Security Camera” from homedepot.com, first retrieved on May 4, 2022 from the internet <<https://www.homedepot.com/p/Google-Nest-Cam-Battery-Indoor-and-Outdoor-Wireless-Smart-Home-Security-Camera-GA01317-US/317816666>> (Year: 2022).

Australian Office Action, Design Application No. 202114647 dated Dec. 17, 2021, 3 pages.

Australian Office Action, Design Application No. 202115978 dated Dec. 17, 2021, 3 pages.

TW Office Action, Application No. 110306152, dated Aug. 30, 2022 with translation, 27 pages. 2022.

TW Office Action, Application No. 110306154, dated Sep. 2, 2022 with translation, 25 pages. 2022.

* cited by examiner

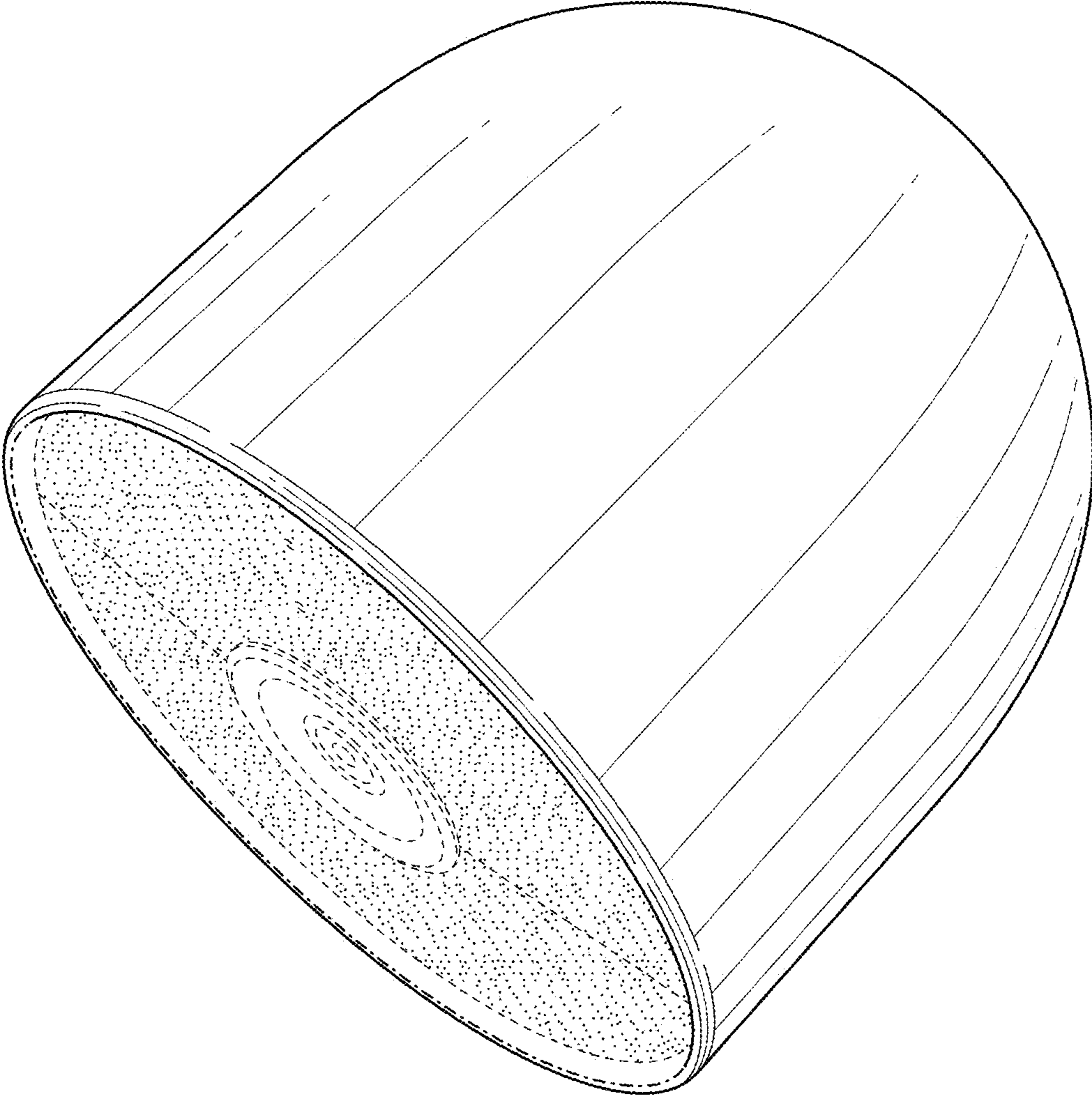


FIG. 1

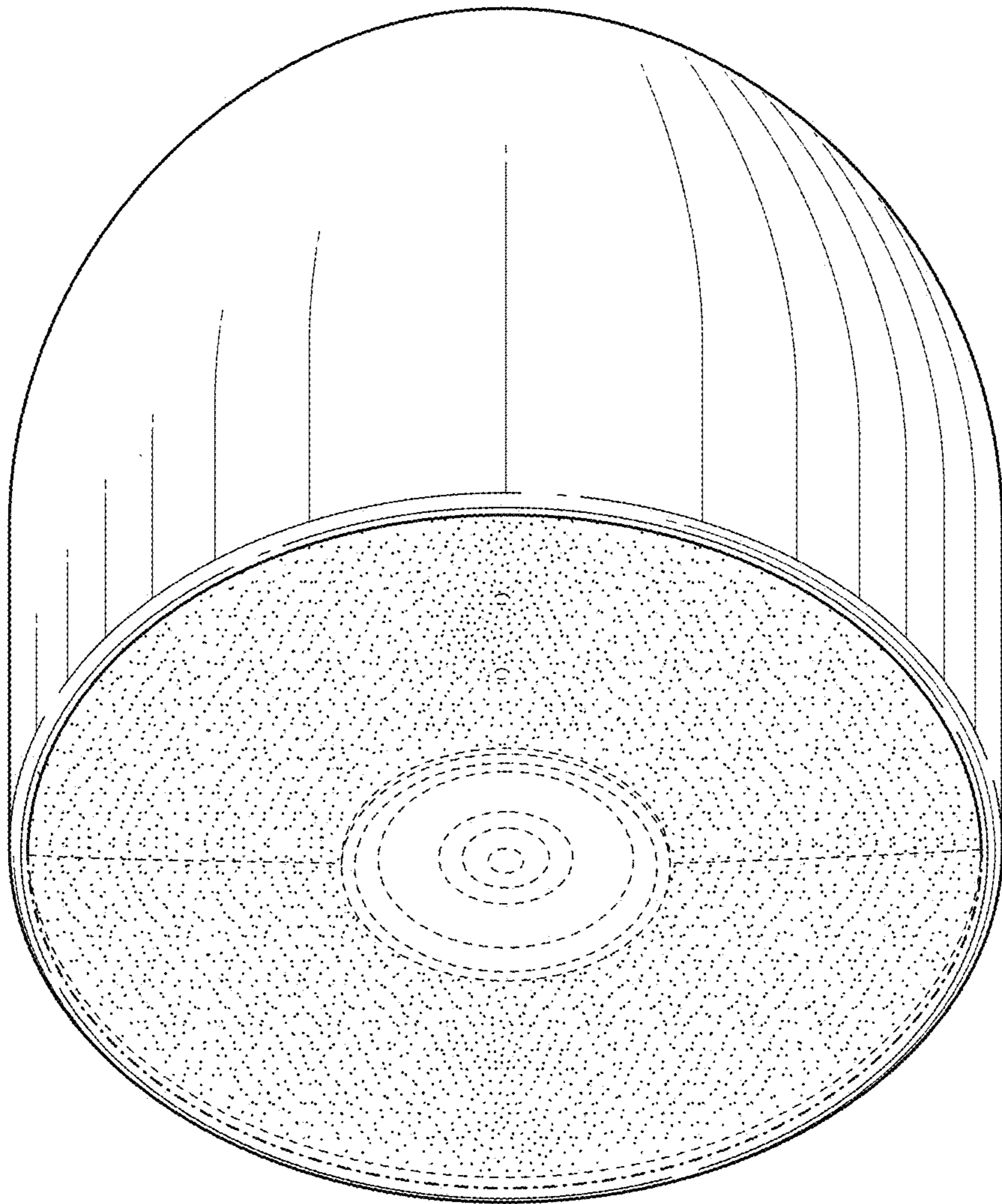


FIG. 2

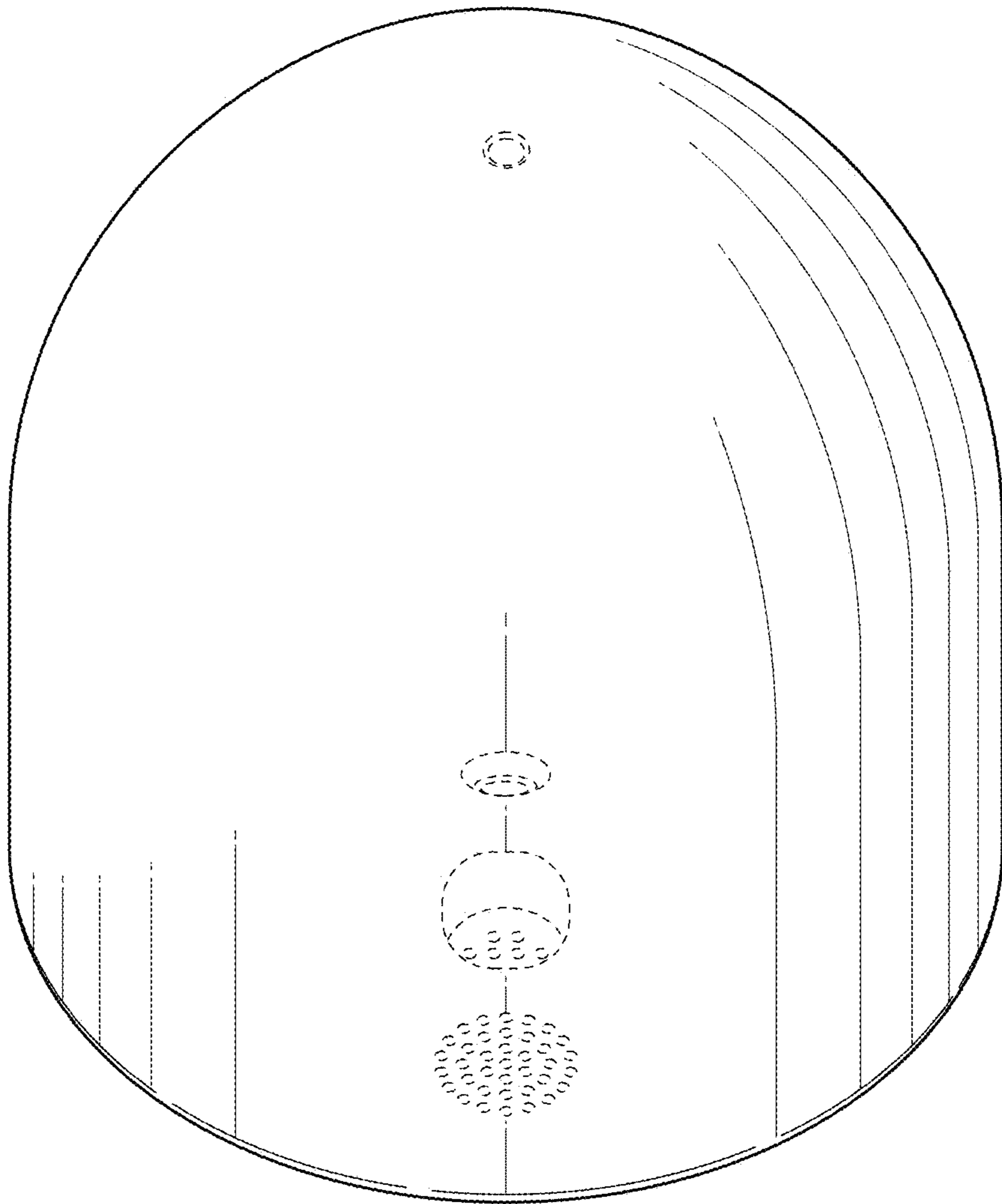


FIG. 3

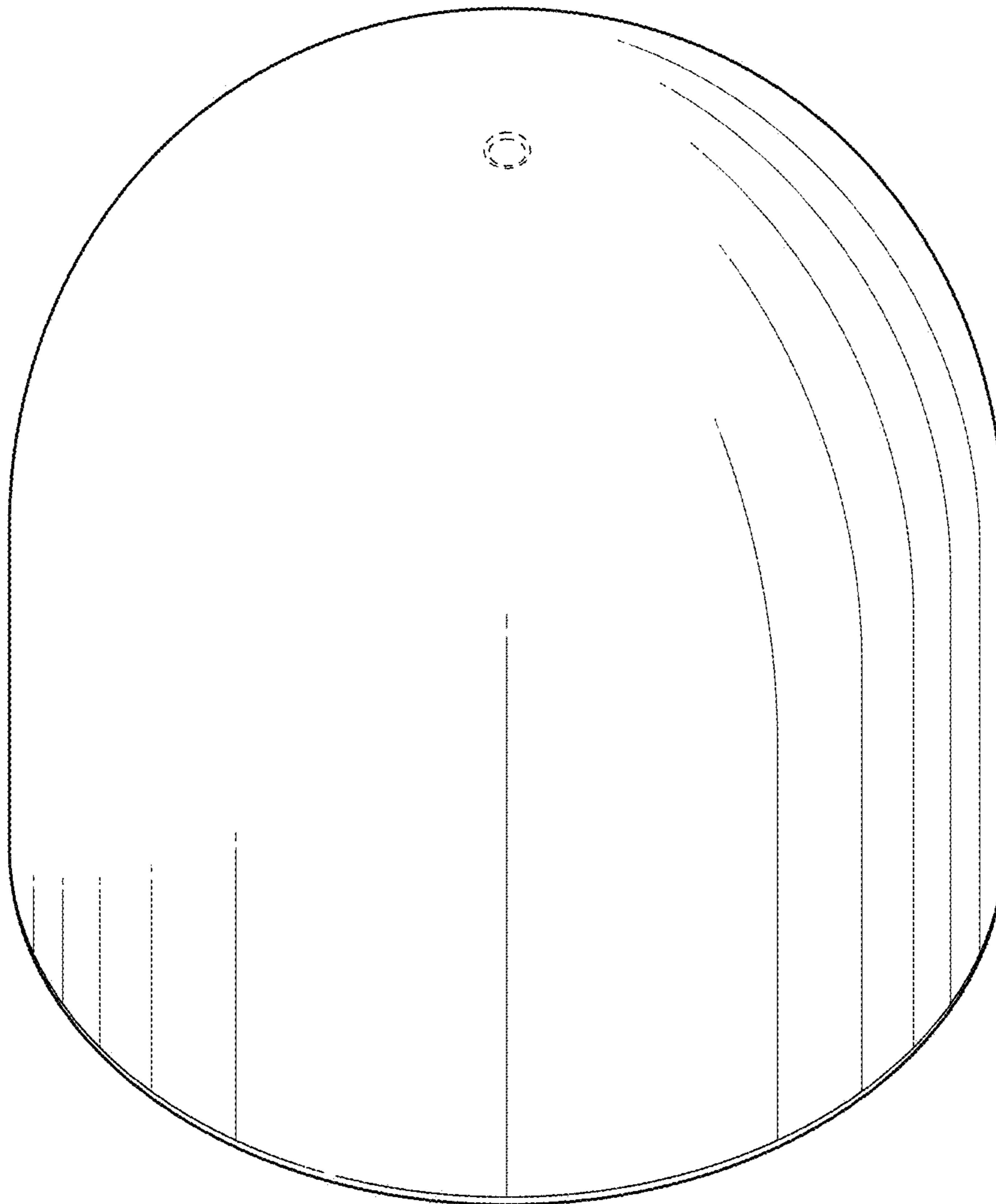


FIG. 4

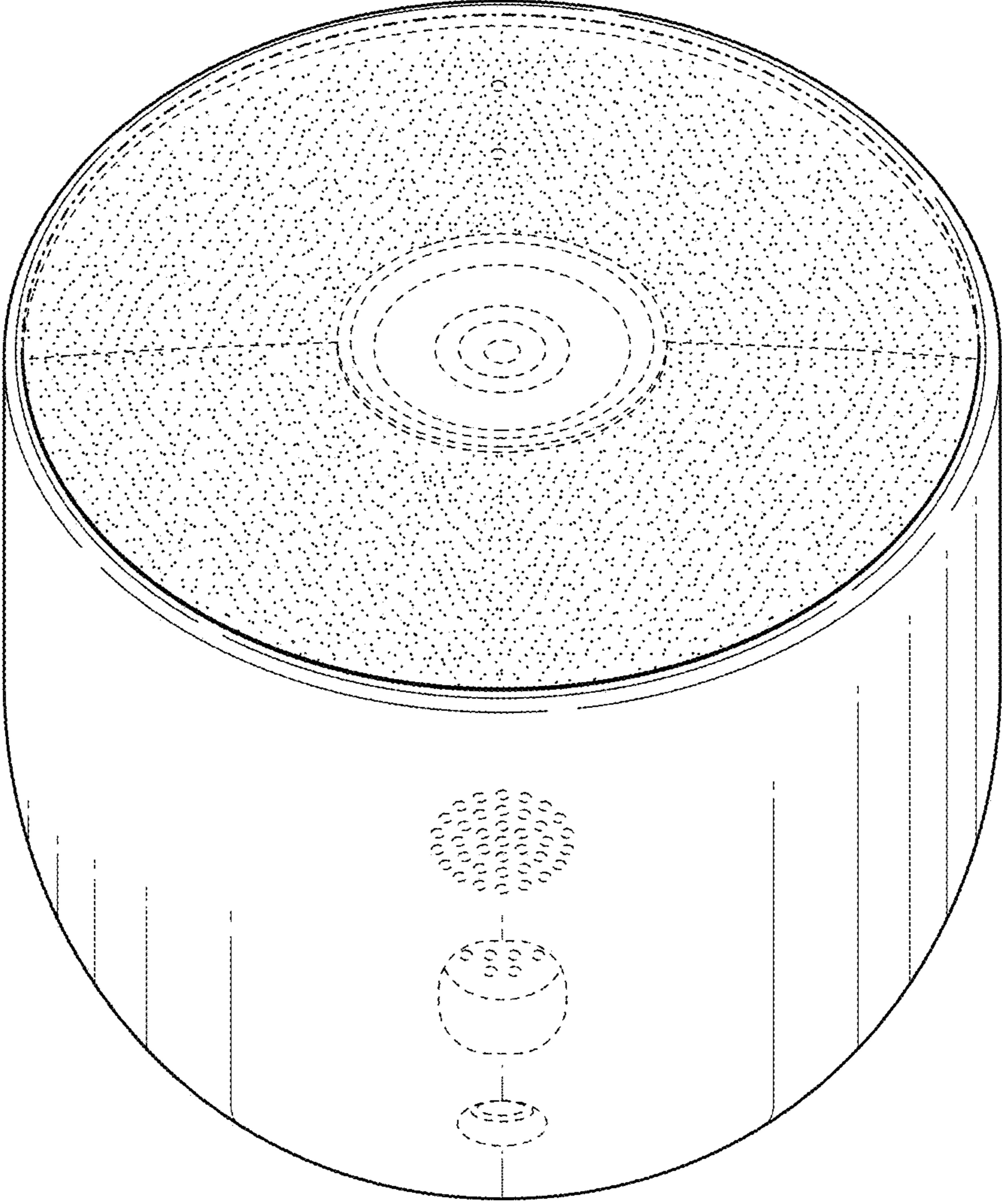


FIG. 5

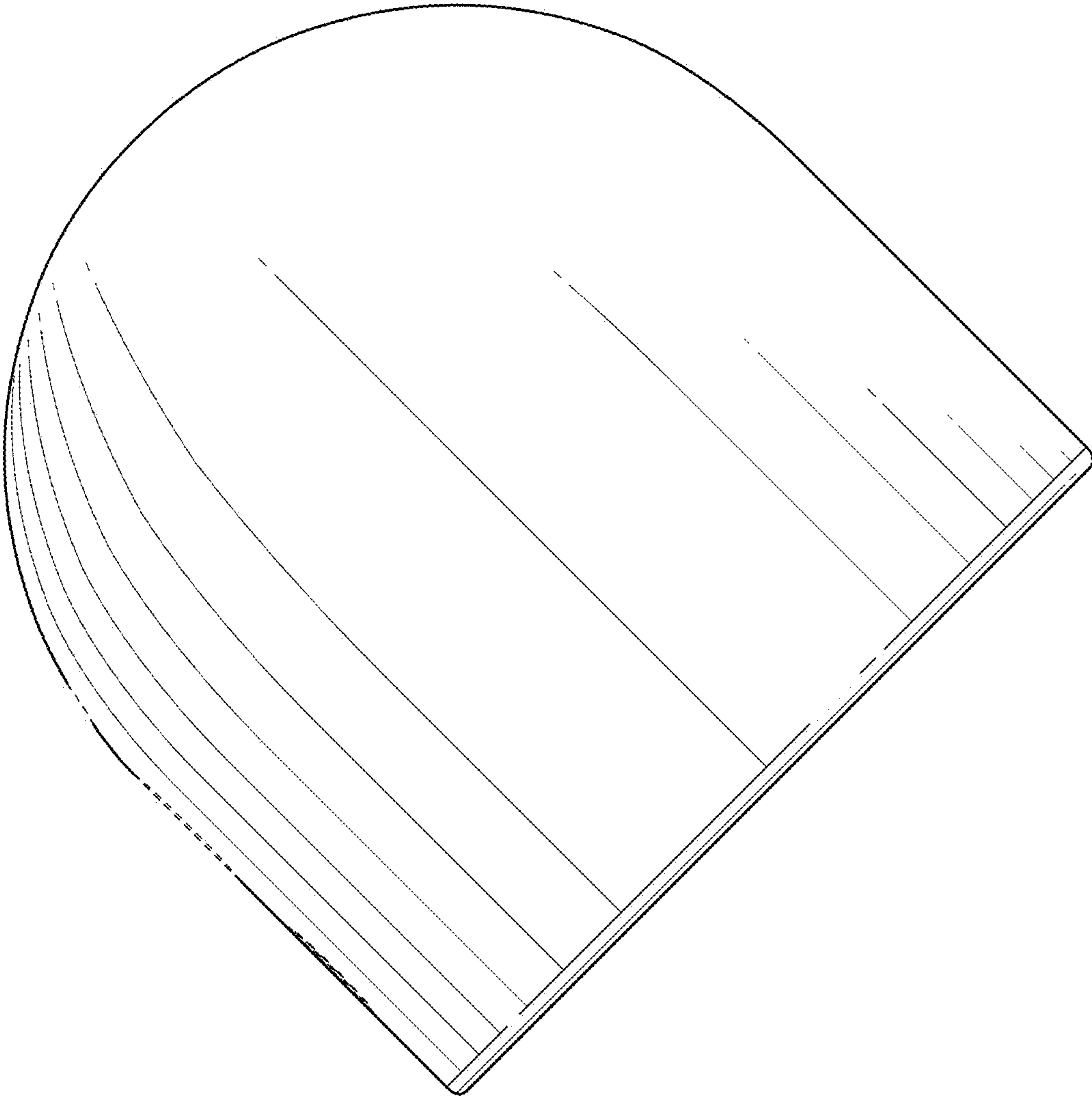


FIG. 6

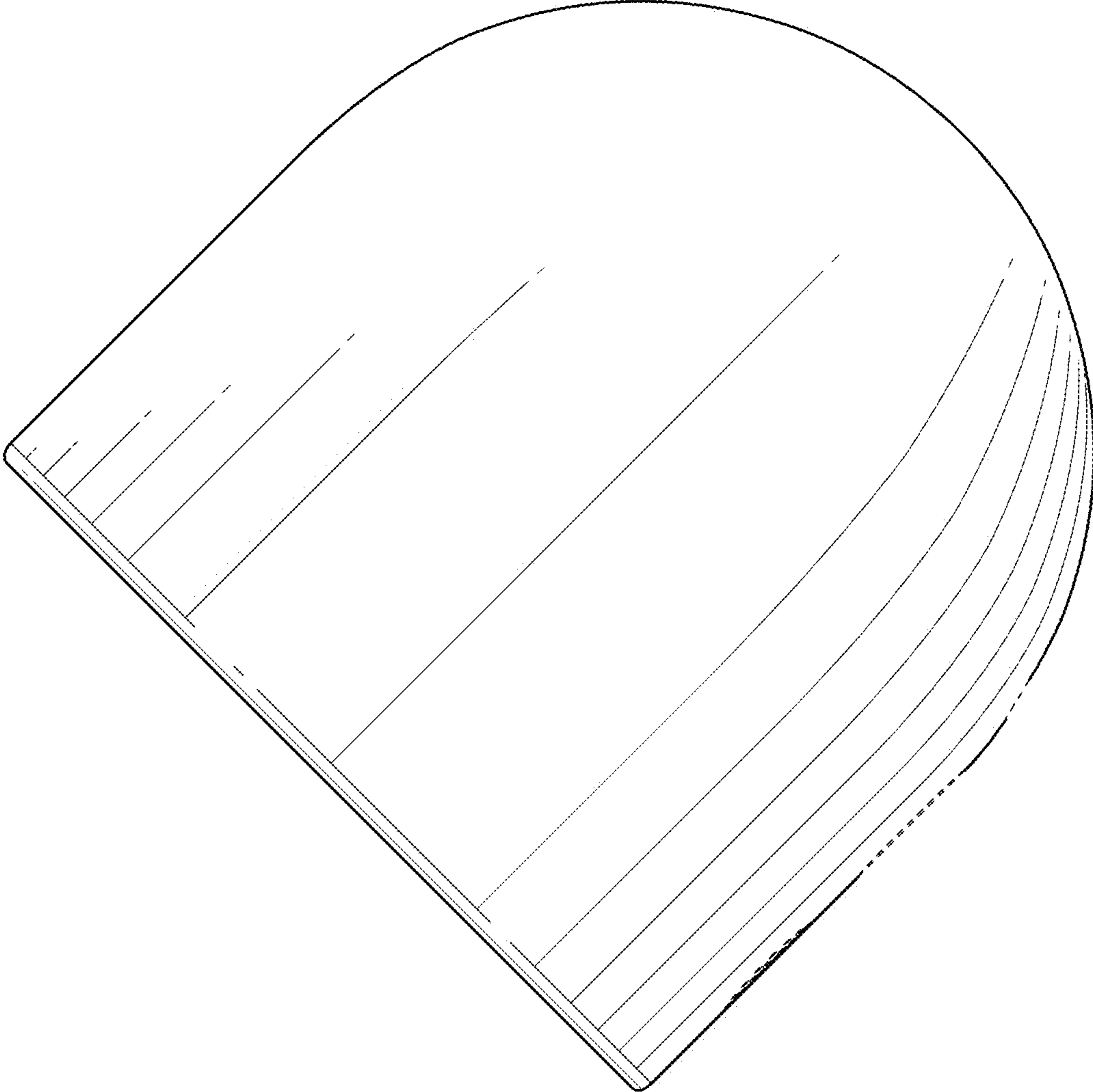


FIG. 7