



US00D989153S

(12) **United States Design Patent**
Lindstrom et al.

(10) **Patent No.:** **US D989,153 S**
(45) **Date of Patent:** **** Jun. 13, 2023**

(54) **MONITORING CAMERA**

(71) Applicant: **AXIS AB**, Lund (SE)

(72) Inventors: **Malin Lindstrom**, Lund (SE); **Malin Klein**, Lund (SE); **Anna Papee**, Lund (SE); **Dan Carlberg**, Lund (SE); **Jonas Sjogren**, Lund (SE); **Mathias Walter**, Lund (SE); **Mariano Vozzi**, Lund (SE)

(73) Assignee: **AXIS AB**, Lund (SE)

(**) Term: **15 Years**

(21) Appl. No.: **29/770,842**

(22) Filed: **Feb. 17, 2021**

(51) **LOC (14) Cl.** **16-01**

(52) **U.S. Cl.**

USPC **D16/203**

(58) **Field of Classification Search**

USPC D16/200–204, 207–208, 218–219;
D10/46, 61, 62, 65, 70, 71, 104.1, 106.6,
D10/106.7; D14/203.1, 204, 209.1, 496
CPC G03B 15/03; G03B 17/02; G03B 17/04;
G03B 17/56; G03B 19/04; H04N 7/141;
H04N 7/142; H04N 7/147; H04N 7/148;
H04N 7/15; H04N 7/152; H04N 5/2251;
H04N 5/2252; H04N 5/2253; H04N
5/2254; H04N 5/23216; H04N 5/232939;
H04N 2101/00; H04N 2007/145

See application file for complete search history.

(56) **References Cited**

U.S. PATENT DOCUMENTS

D628,225 S * 11/2010 Deurwaarder D16/203
D694,798 S * 12/2013 Deurwaarder D16/203
D801,407 S * 10/2017 Kullgren D16/203
D815,173 S * 4/2018 Hikima D16/203
D837,274 S * 1/2019 Ainetoft D16/203
D841,074 S * 2/2019 Ainetoft D16/203
D842,914 S * 3/2019 Ainetoft D16/203

D849,114 S * 5/2019 Jeong D16/203
D859,500 S * 9/2019 Moncino D16/219
D859,501 S * 9/2019 Moncino D16/219
D861,058 S * 9/2019 Christensson D16/203
D873,893 S * 1/2020 Christensson D16/203
D888,793 S * 6/2020 Du D16/203

(Continued)

FOREIGN PATENT DOCUMENTS

CN 303903157 * 11/2016
EM 002876326-0001 11/2015

(Continued)

OTHER PUBLICATIONS

“SDS DS-1250ZJ Universal Sun Rain Shade Camera Cover Shield for Outdoor Camera” from Amazon.com, first available Mar. 25, 2016 from the internet <<https://www.amazon.com/dp/B018WJQLOS/>> (Year: 2016).*

(Continued)

Primary Examiner — Elizabeth J Oswecki

Assistant Examiner — Lacey Chey Bowman

(74) *Attorney, Agent, or Firm* — Volpe Koenig

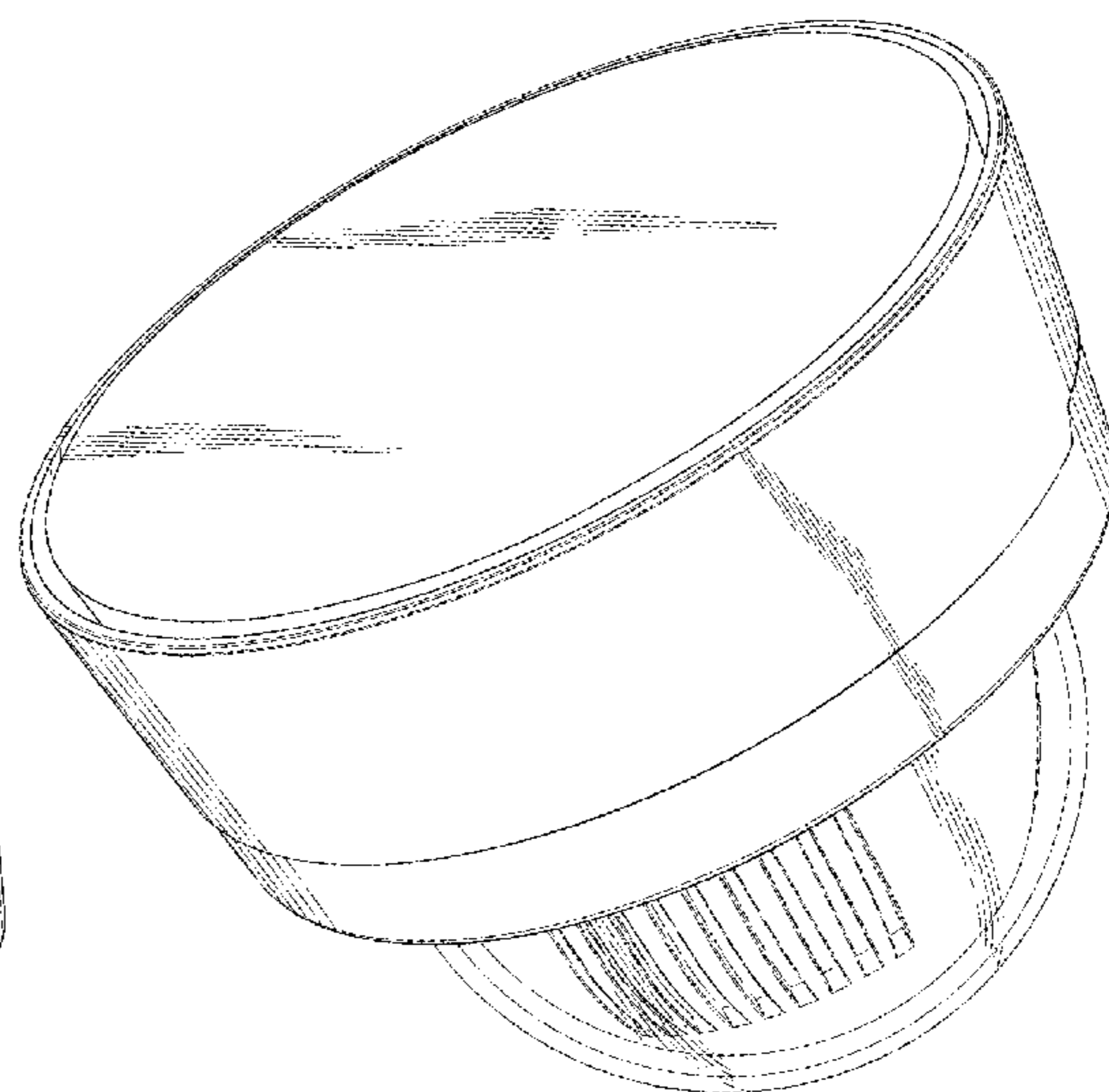
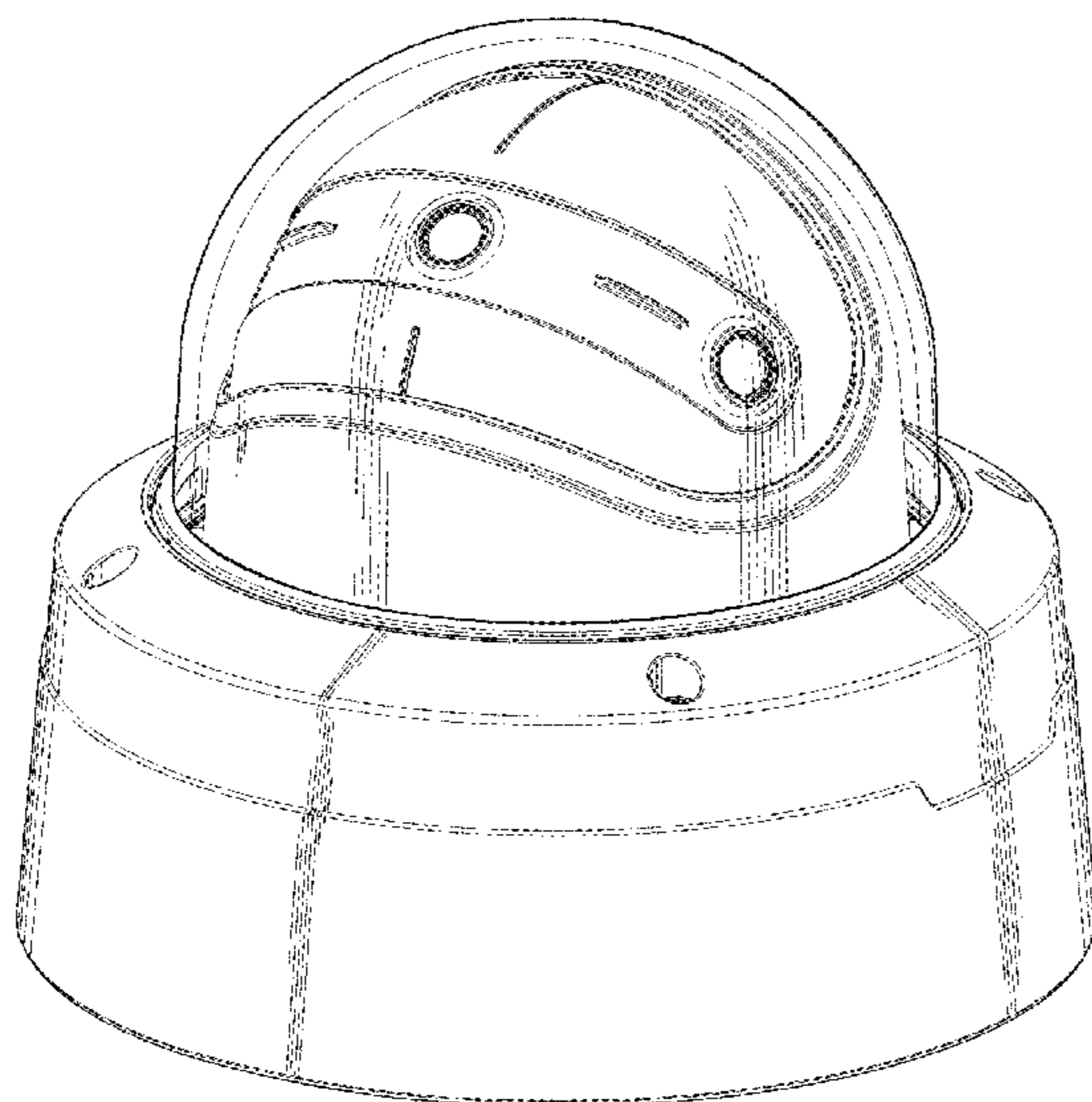
(57) **CLAIM**

The ornamental design for a monitoring camera, as shown and described.

DESCRIPTION

FIG. 1 is a top, front, right perspective view of a monitoring camera showing our new design;
FIG. 2 is a top plan view thereof;
FIG. 3 is a front elevational view thereof;
FIG. 4 is a left side elevational view thereof;
FIG. 5 is a right side elevational view thereof;
FIG. 6 is a rear elevational view thereof;
FIG. 7 is a bottom plan view thereof; and,
FIG. 8 is a bottom, rear, left perspective view thereof.

1 Claim, 5 Drawing Sheets



(56)

References Cited

U.S. PATENT DOCUMENTS

D910,733 S * 2/2021 Lennerstedt D16/203
 D910,737 S * 2/2021 Lennerstedt D16/203
 D953,583 S * 5/2022 Lum D26/24
 D955,014 S * 6/2022 Lum D26/24
 D959,532 S * 8/2022 Sjogren D16/203
 2015/0326759 A1 * 11/2015 Mukai H04N 5/2252
 348/374
 2018/0356710 A1 * 12/2018 Bingleman G03B 17/561
 2020/0409237 A1 * 12/2020 Uchiyama G03B 17/56

FOREIGN PATENT DOCUMENTS

EM 004026334 5/2017
 EM 004423275-0002 10/2017
 EM 005502259-0001 7/2018
 IN 306227-0001 * 7/2019
 TW 195822-0001 * 2/2019

OTHER PUBLICATIONS

“Vigilance 4 Megapixel H.265 Outdoor Dome Camera DCS-4614EK” from dlink.com, first retrieved Mar. 30, 2022 from the internet <<https://www.dlink.com/en/products/dcs-4614ek-vigilance-4-megapixel-h265-outdoor-dome-camera>> (Year: 2022).*

“FLIR Saros DH-390 Dome Camera” from securityinformed.com, first retrieved Mar. 30, 2022 from the internet <<https://www.securityinformed.com/flir-systems-dh-390-ip-dome-camera-technical-details.html>> (Year: 2022).*

* cited by examiner

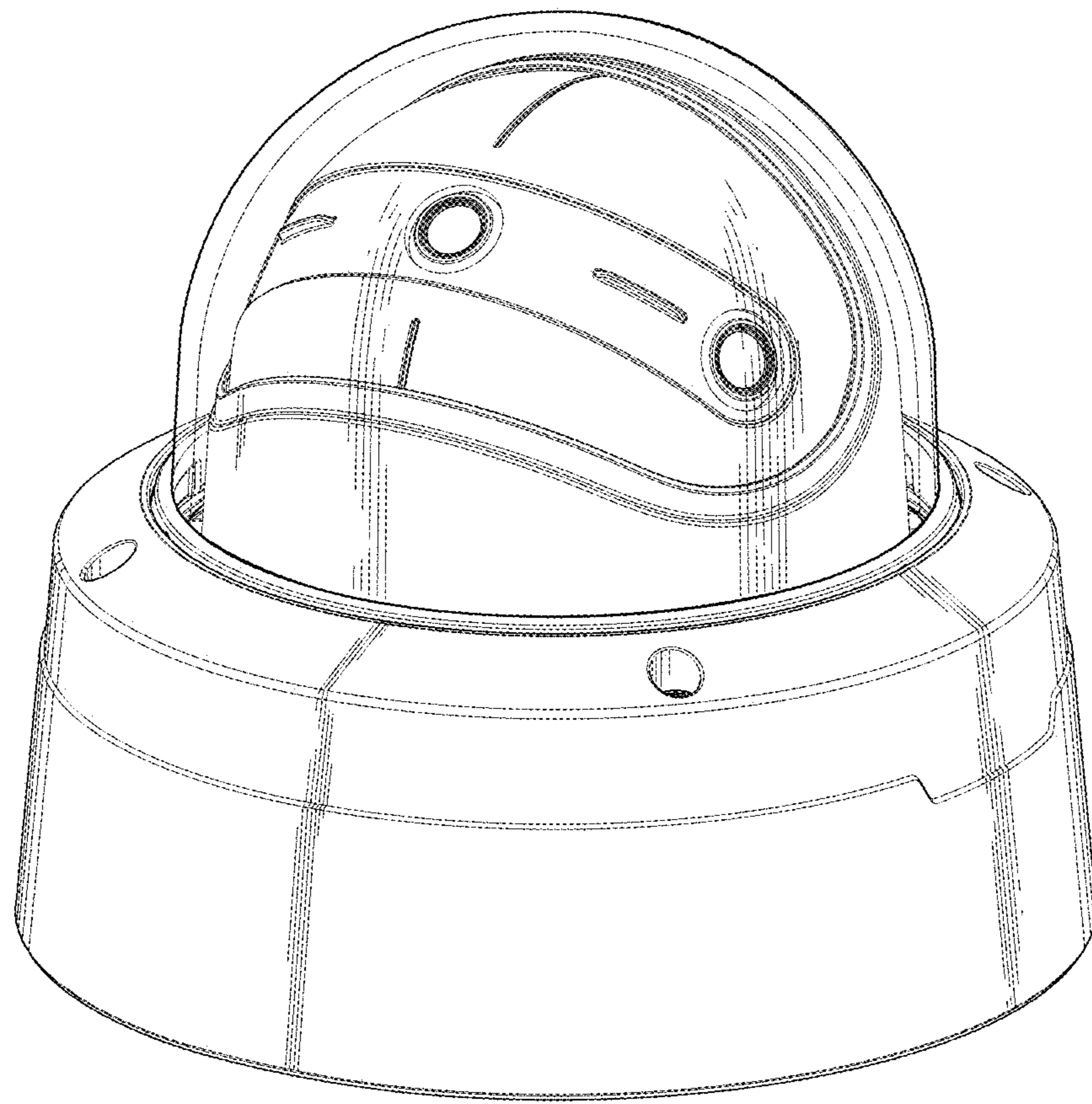


Fig. 1

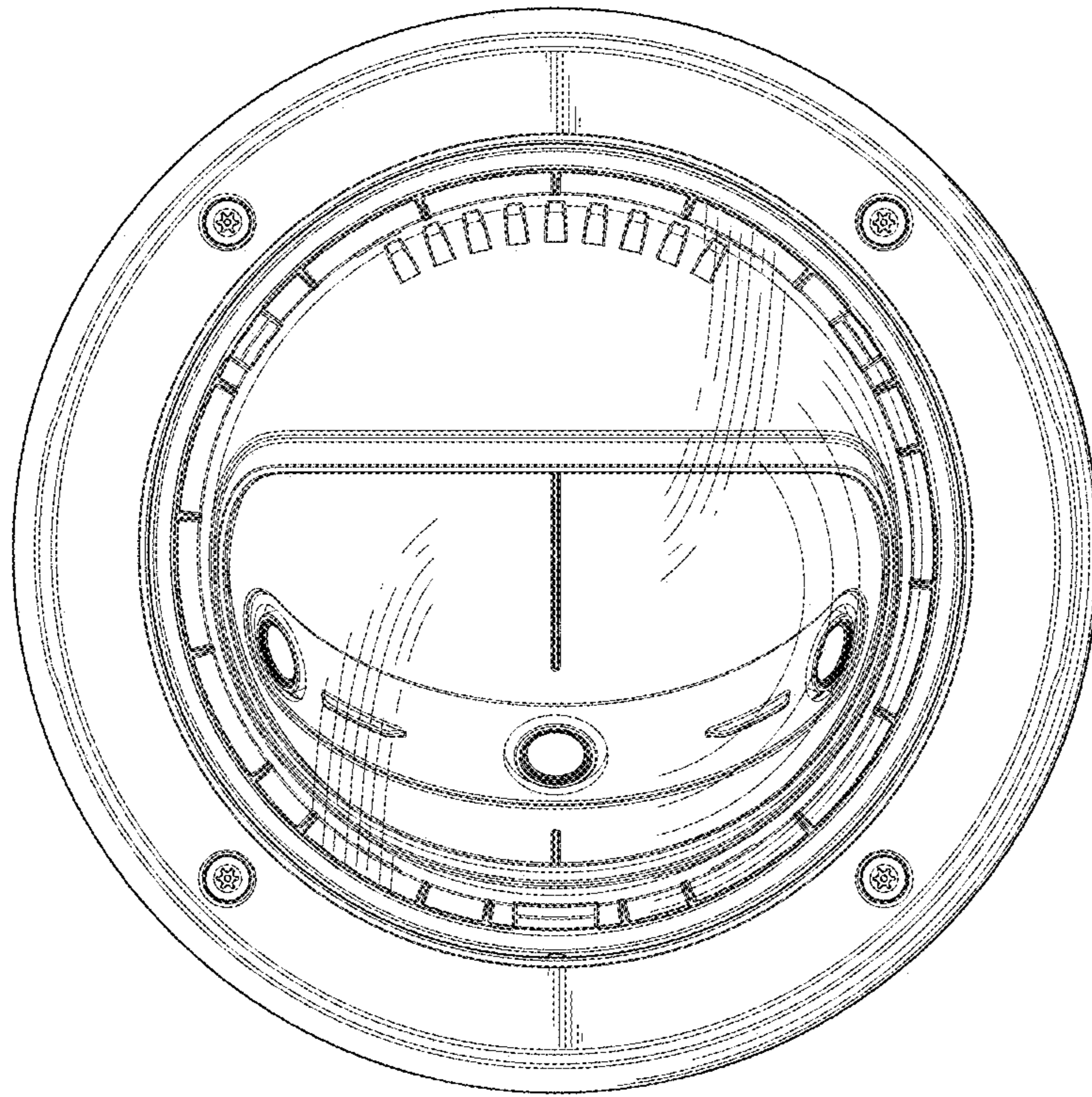


Fig. 2

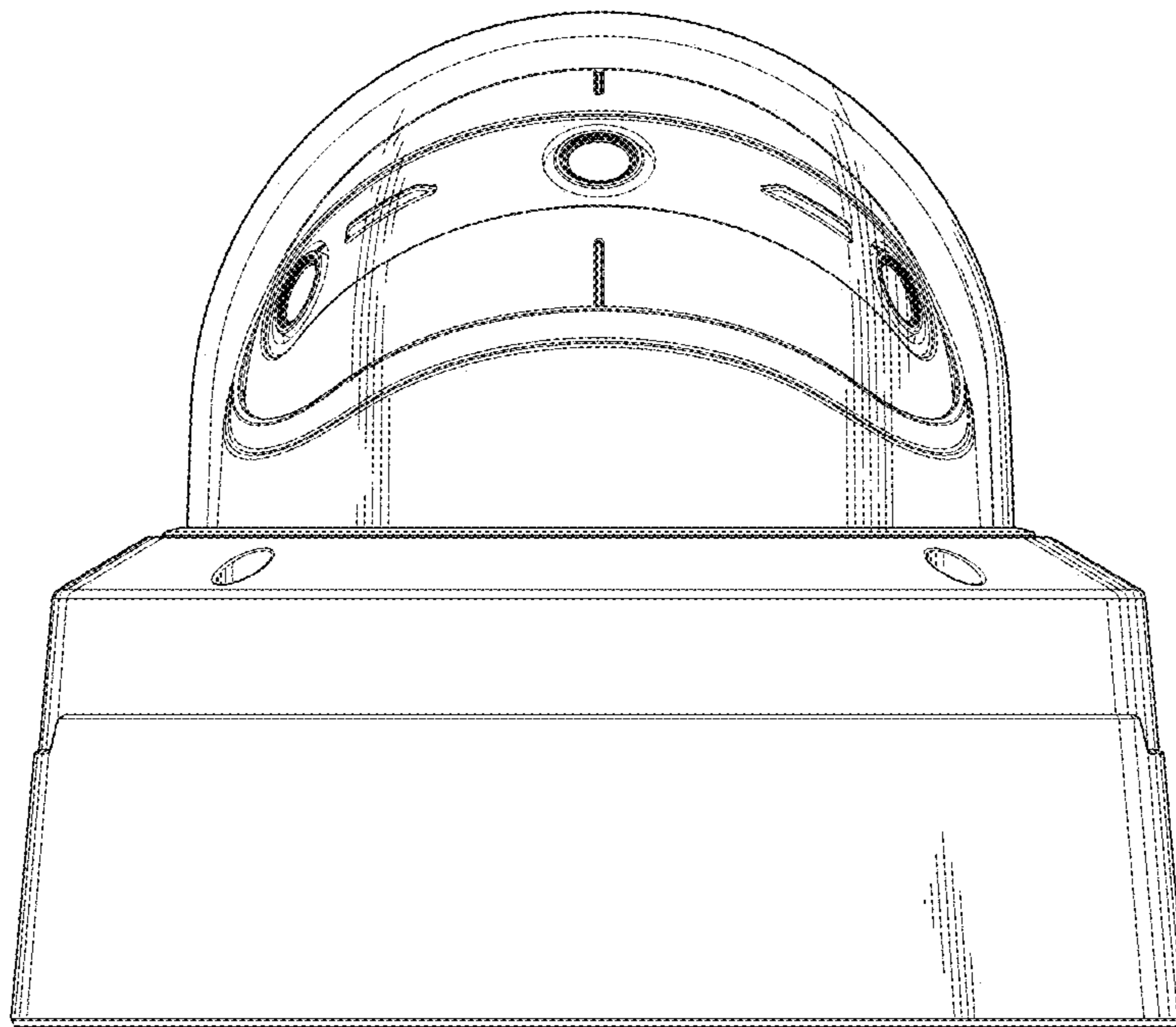


Fig. 3

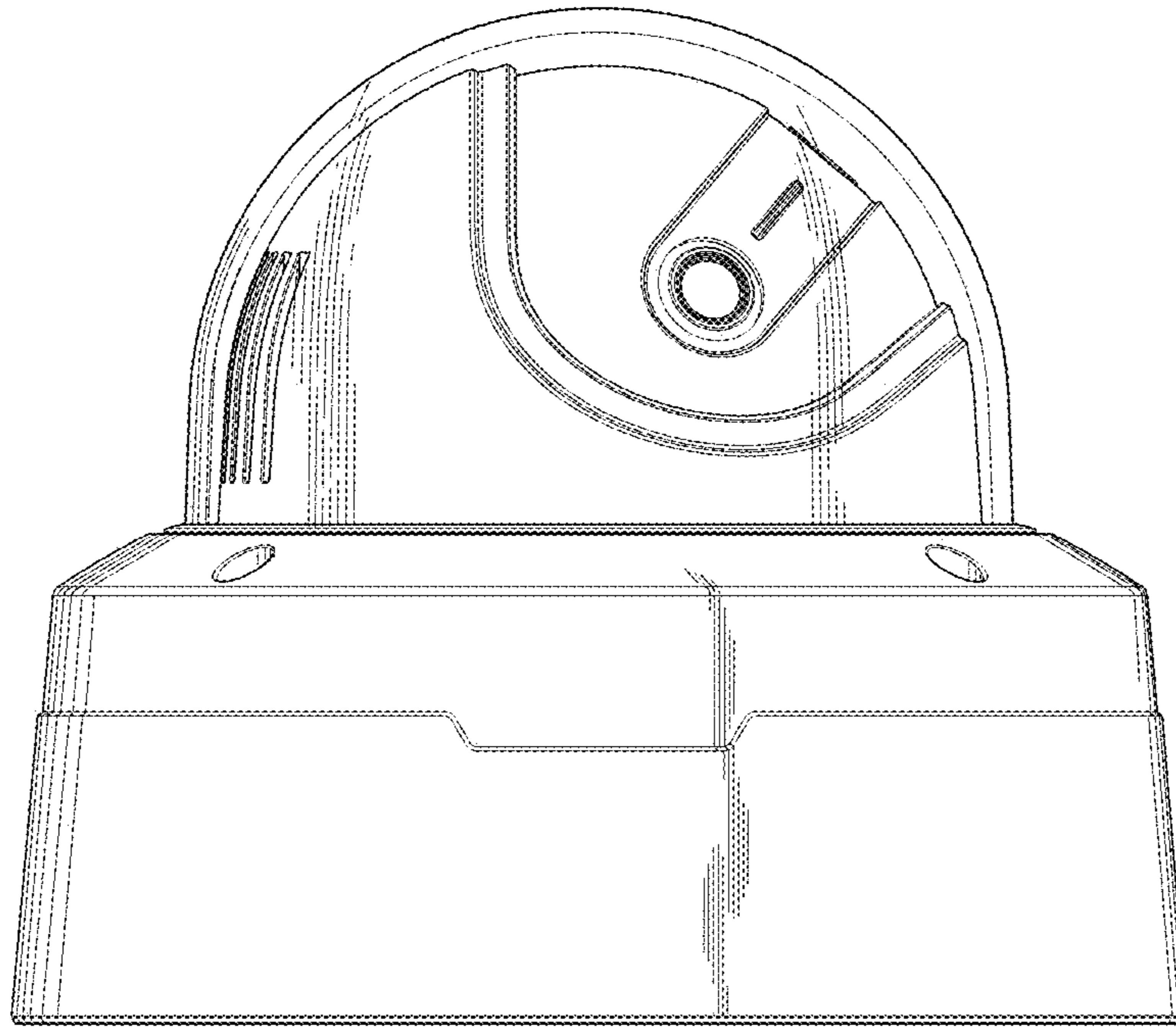


Fig. 4

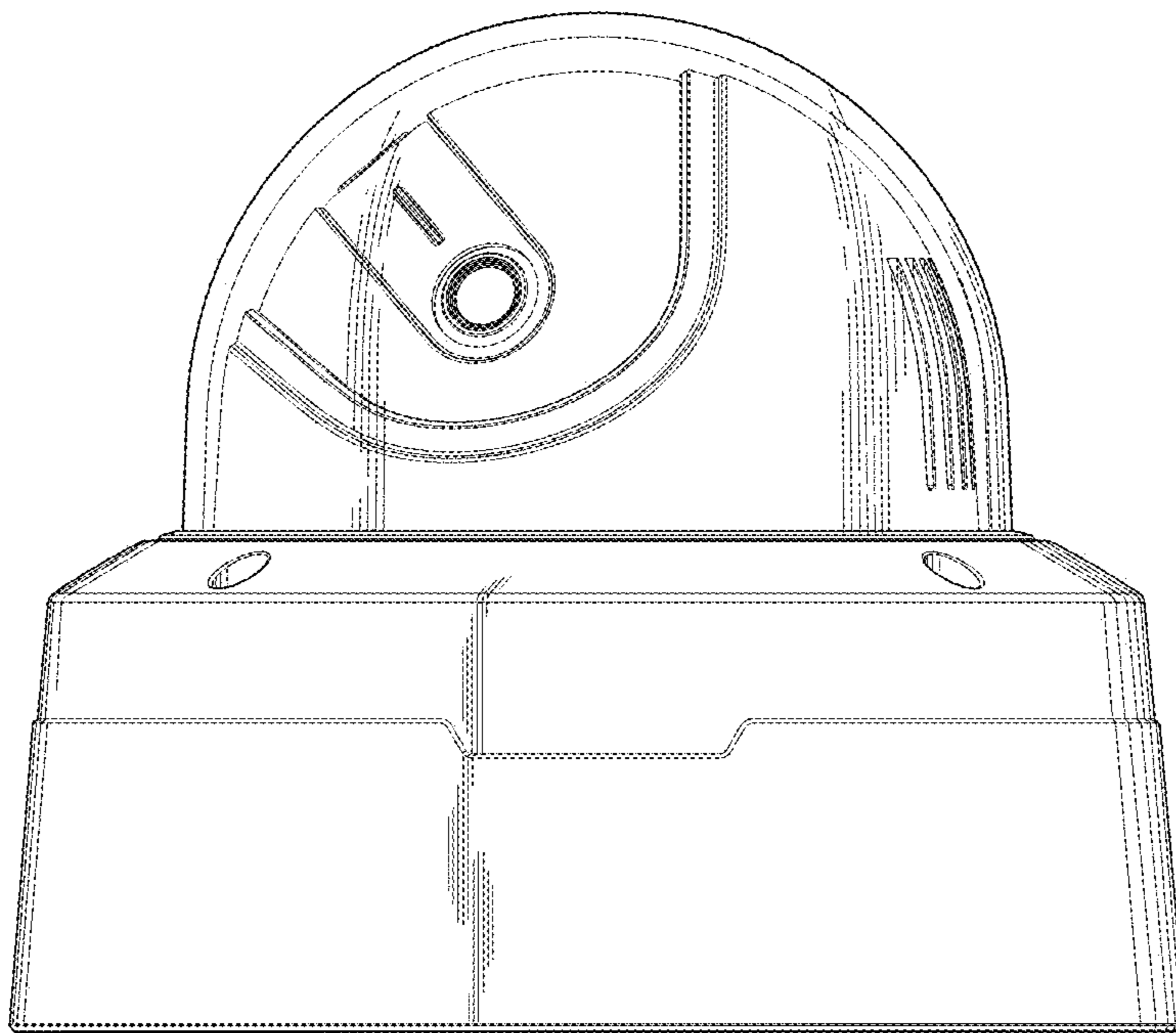


Fig. 5

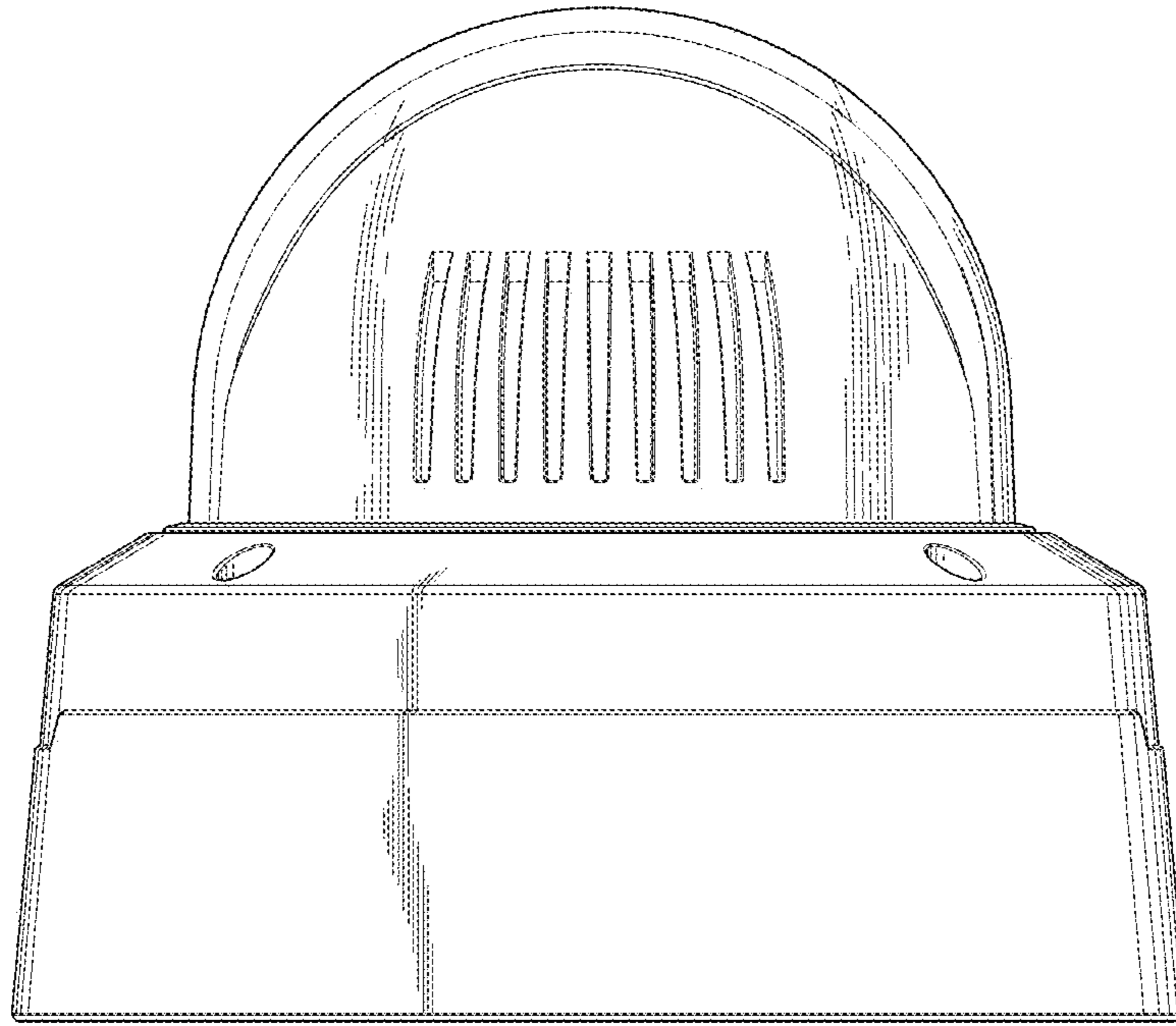


Fig. 6



Fig. 7

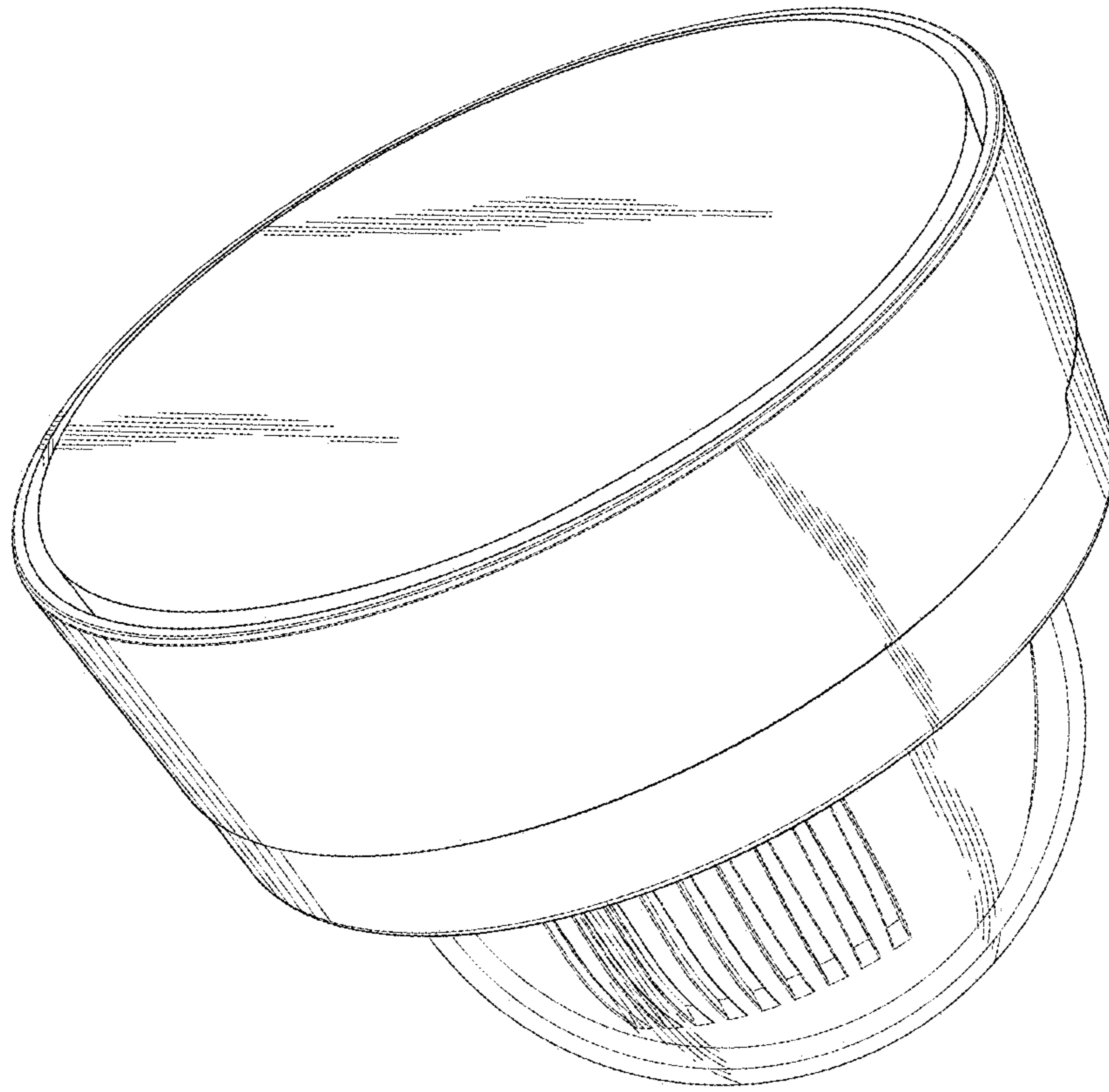


Fig. 8