



US00D989152S

(12) **United States Design Patent**
Liu

(10) **Patent No.:** **US D989,152 S**
(45) **Date of Patent:** **** Jun. 13, 2023**

(54) **SURVEILLANCE CAMERA**

FOREIGN PATENT DOCUMENTS

(71) Applicant: **HANGZHOU HIKVISION DIGITAL TECHNOLOGY CO., LTD.**, Hangzhou (CN)

CN 306761782 * 8/2021
CN 307370484 * 5/2022
CN 307417850 * 6/2022

(72) Inventor: **Qiang Liu**, Hangzhou (CN)

OTHER PUBLICATIONS

(73) Assignee: **HANGZHOU HIKVISION DIGITAL TECHNOLOGY CO., LTD.**, Hangzhou (CN)

“2022 New 4MP 10X Surveillance Camera PTZ Outdoor Security Protection Kamera Dome Human Detection Cam Compatible WIFI and RJ45” from Inqmega.com, first retrieved on Jul. 11, 2022 from the internet <<https://inqmega.com/collections/hot-cameras/products/inqmega-4mp-10x-surveillance-camera-ptz-outdoor-security-protection-kamera-dome-human-detection-cam-compatible-wifi-and-rj45>> (Year: 2022).*

(**) Term: **15 Years**

(21) Appl. No.: **29/755,535**

(Continued)

(22) Filed: **Oct. 21, 2020**

Primary Examiner — Elizabeth J Oswecki

Assistant Examiner — Lacey Chey Bowman

(30) **Foreign Application Priority Data**

Apr. 23, 2020 (CN) 202030171368.0

(74) *Attorney, Agent, or Firm* — Knobbe Martens Olson & Bear LLP

(51) **LOC (14) Cl.** **16-01**

(57) **CLAIM**

(52) **U.S. Cl.**
USPC **D16/203**

The ornamental design for a surveillance camera, as shown and described.

(58) **Field of Classification Search**
USPC D16/200–203, 207–208, 213–214, D16/218–219; D10/46, 61, 104.1, 106.6, D10/106.7, 109.2; D14/203.1, 204, D14/209.1, 317, 474, 496
CPC G03B 17/00; G03B 17/02; G03B 2217/00; H04N 5/2251; H04N 5/2252
See application file for complete search history.

DESCRIPTION

FIG. 1 is a front view of a surveillance camera showing my new design;
FIG. 2 is a rear view thereof;
FIG. 3 is a left side view thereof;
FIG. 4 is a right side view thereof;
FIG. 5 is a top plan view thereof;
FIG. 6 is a bottom plan view thereof; and,
FIG. 7 is a front perspective view thereof.
The broken lines in the views show portions of the surveillance camera that form no part of the claimed design.
The boundary lines shown in dot-dash form designate bounds of the claimed design. It is understood that the claimed design extends to the boundary but does not include the boundary.

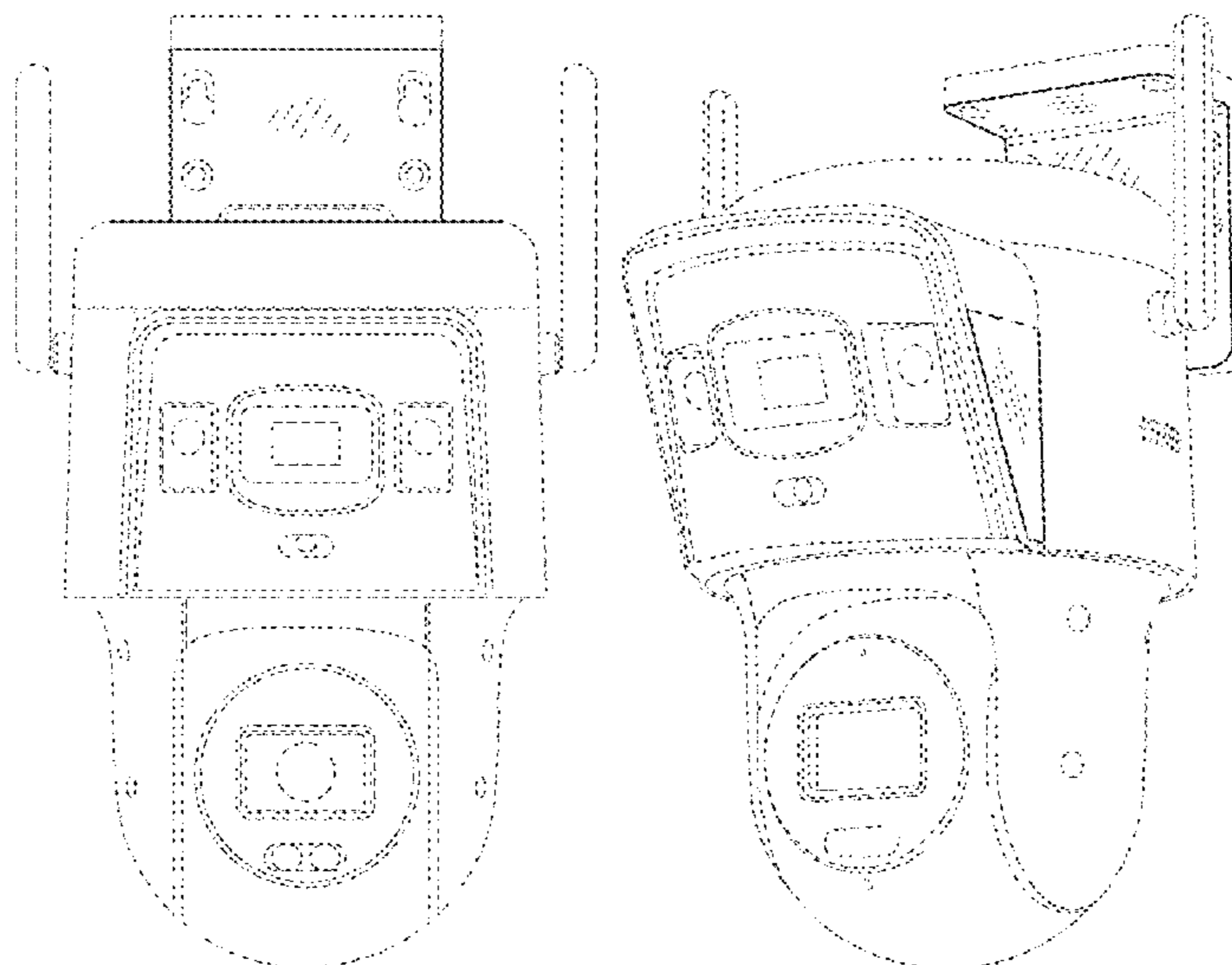
(56) **References Cited**

U.S. PATENT DOCUMENTS

D898,801 S * 10/2020 Wu D16/203
D902,280 S * 11/2020 Grotto D16/203
D921,085 S * 6/2021 Li D16/203
D924,961 S * 7/2021 Xu D16/203
D942,524 S * 2/2022 Xu D16/203

(Continued)

1 Claim, 7 Drawing Sheets



(56)

References Cited

U.S. PATENT DOCUMENTS

D952,022 S * 5/2022 Yang D16/203
D956,851 S * 7/2022 Zhang D16/203
2017/0363932 A1 * 12/2017 Lim F16M 11/2014

OTHER PUBLICATIONS

“3MP Mini PTZ WiFi IP Camera Outdoor 1080P Auto Tracking 4X Digital Zoom Speed Dome Camera 2MP AI Human Detection CCTV Camera” from Aliexpress.com, first retrieved on Jul. 11, 2022 from the internet <<https://www.aliexpress.com/item/2255800866783280.html?gatewayAdapt=4itemAdapt>> (Year: 2022).*

“UniView 2*2MP Lighthunter Dual-lens Network PTZ camera” from Accessgard.com, first retrieved on Jul. 11, 2022 from the internet <<https://www.accessgard.com/shop/uniview-2-2mp-lighthunter-dual-lens-network-ptz-camera.html>> (Year: 2022).*

* cited by examiner

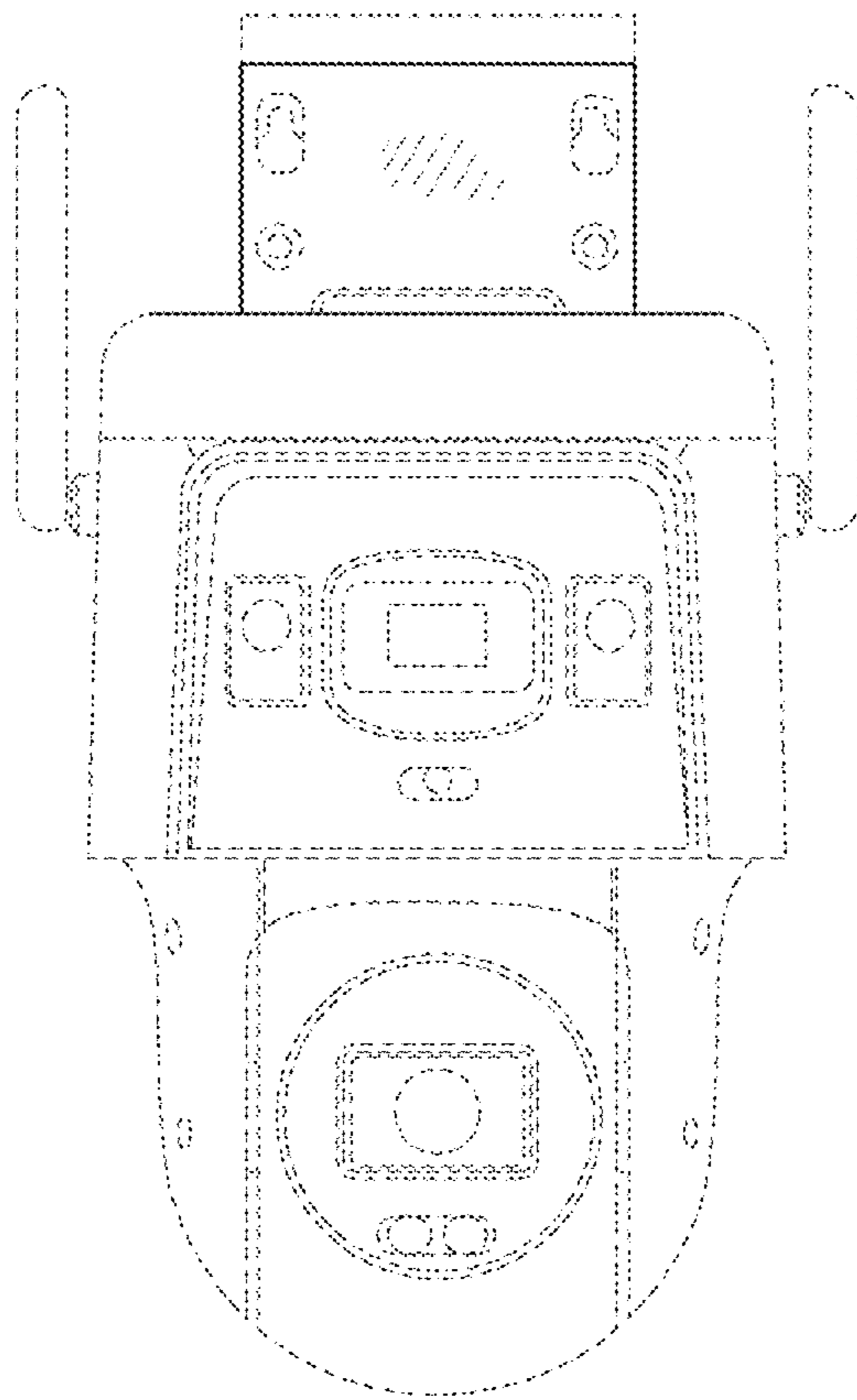


FIG.1

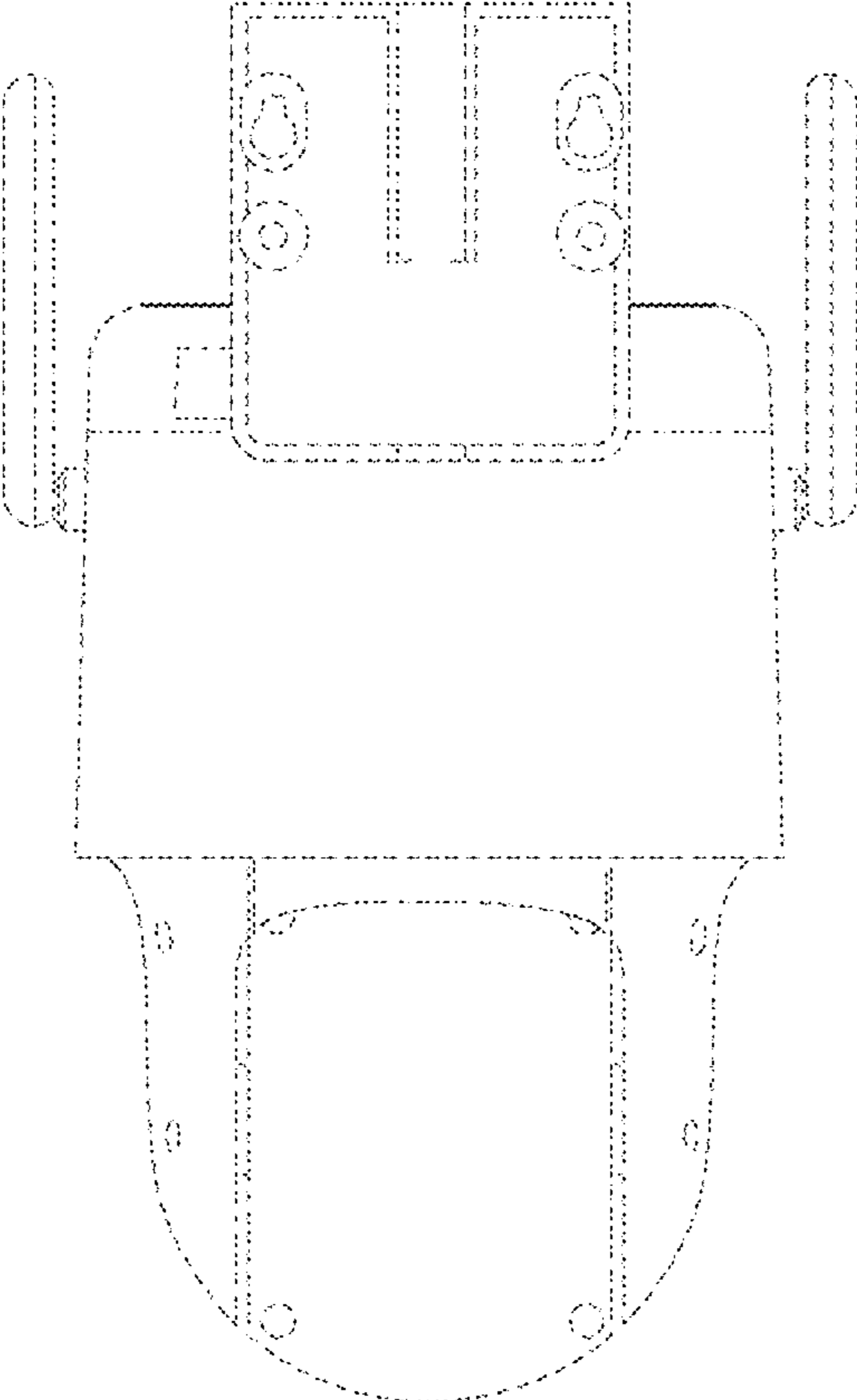


FIG.2

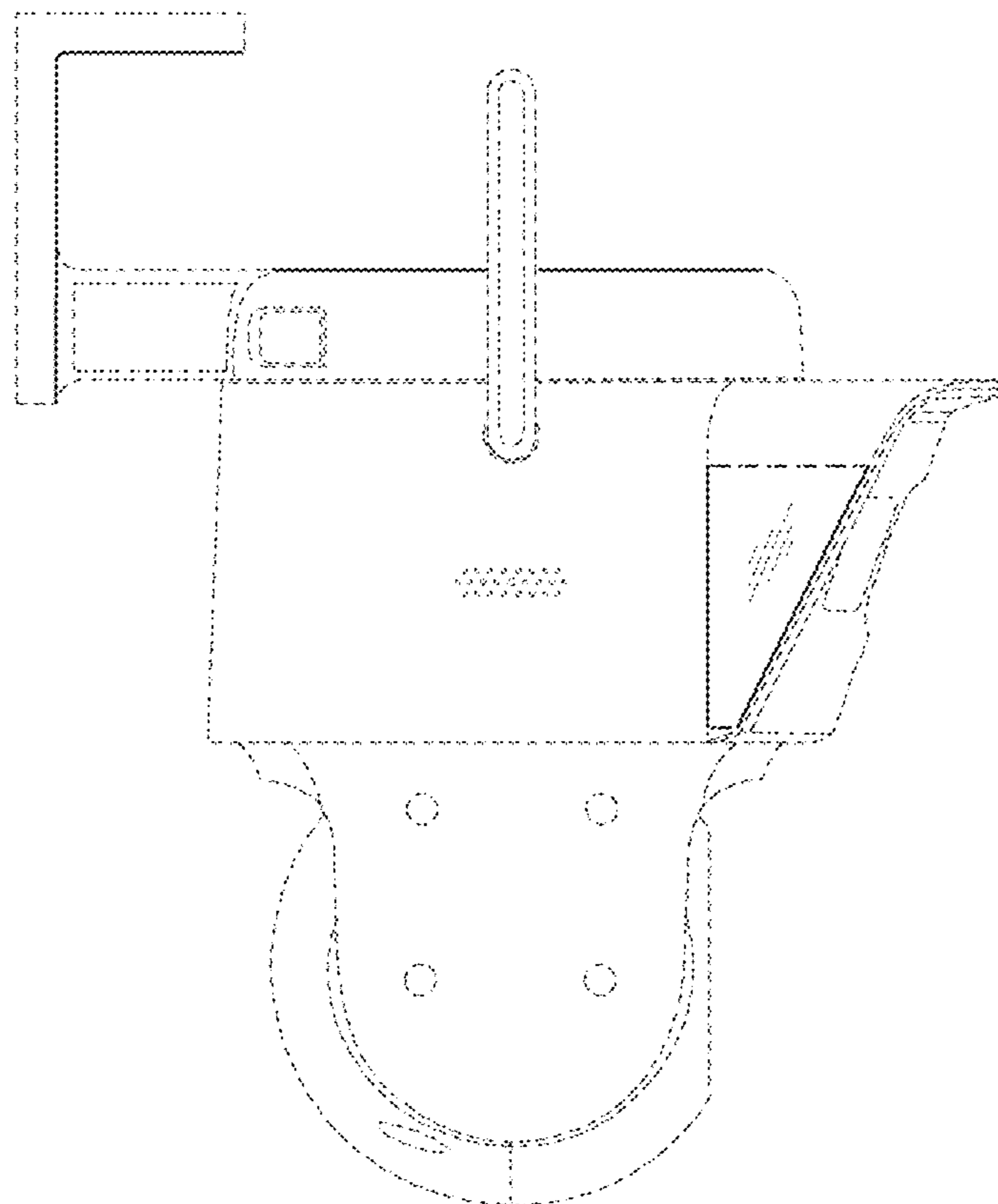


FIG.3

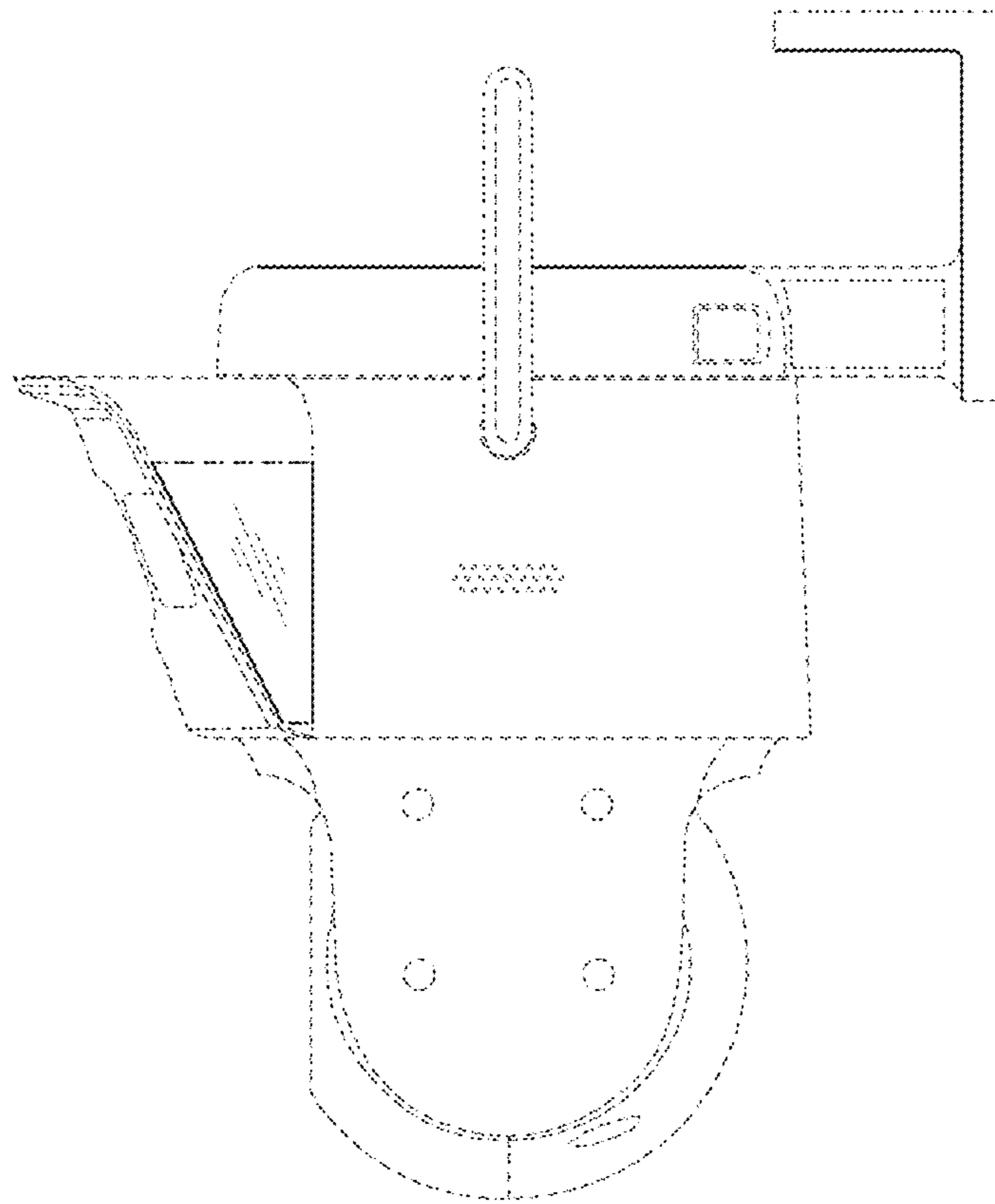


FIG.4

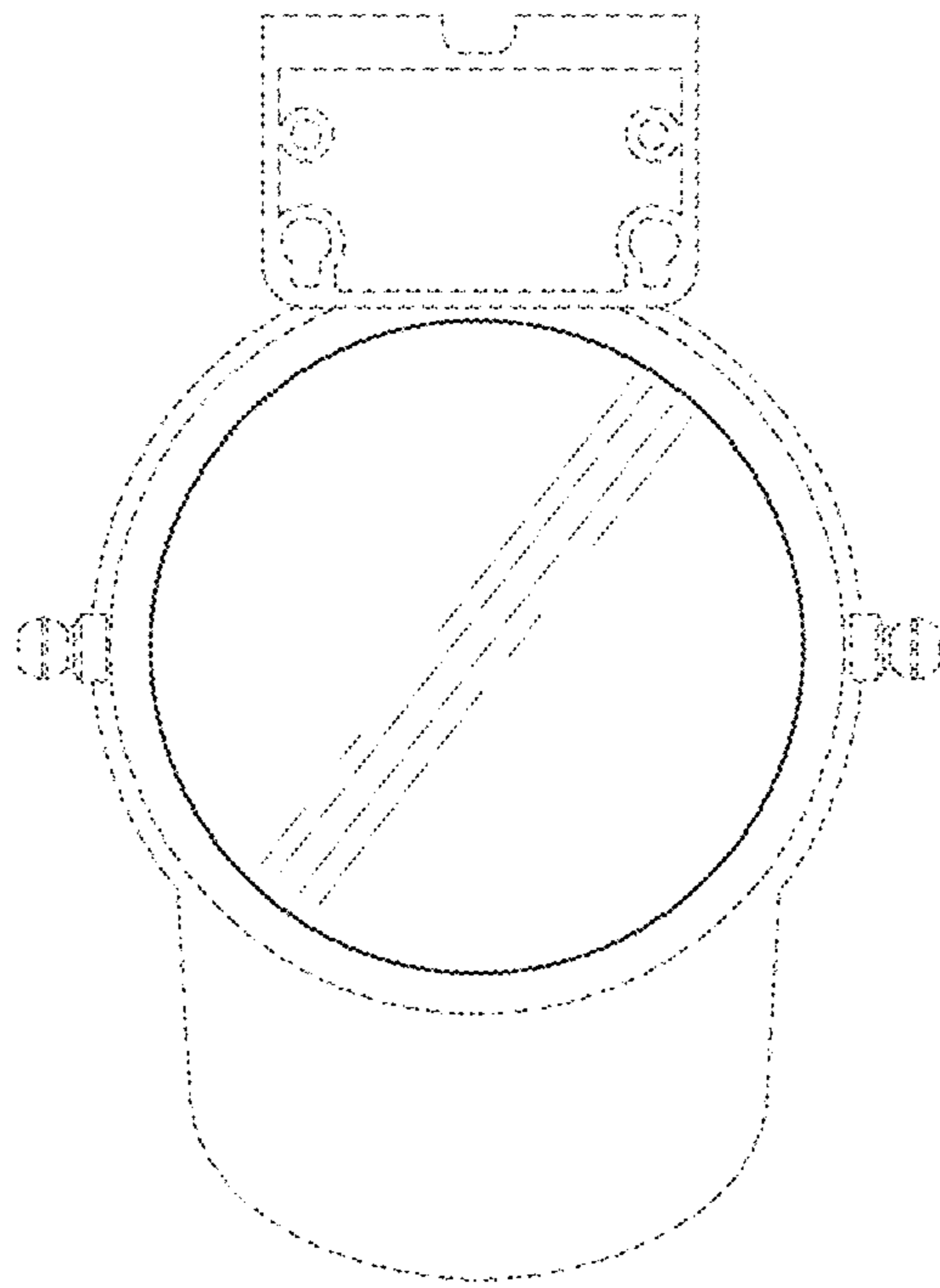


FIG.5

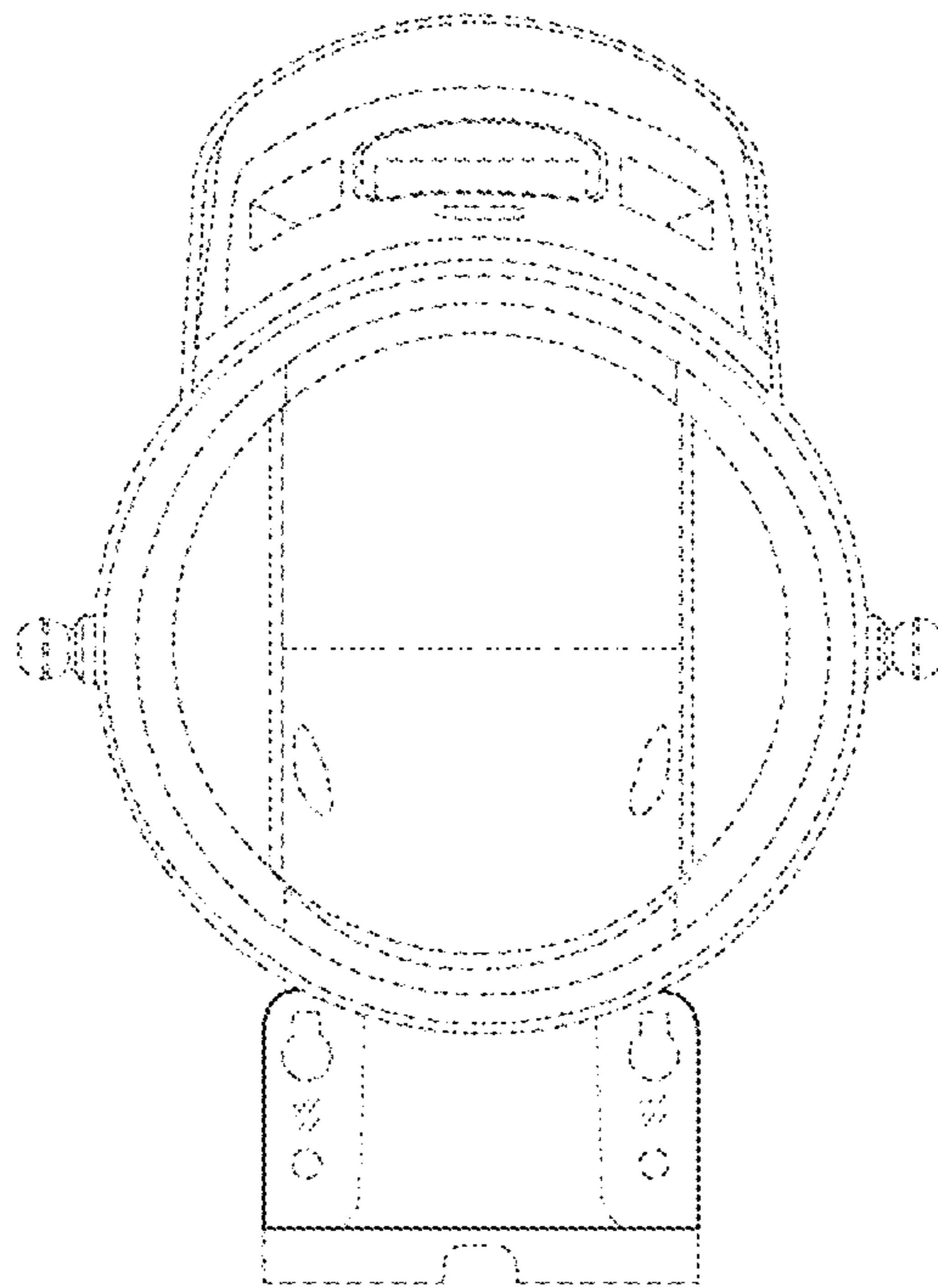


FIG.6

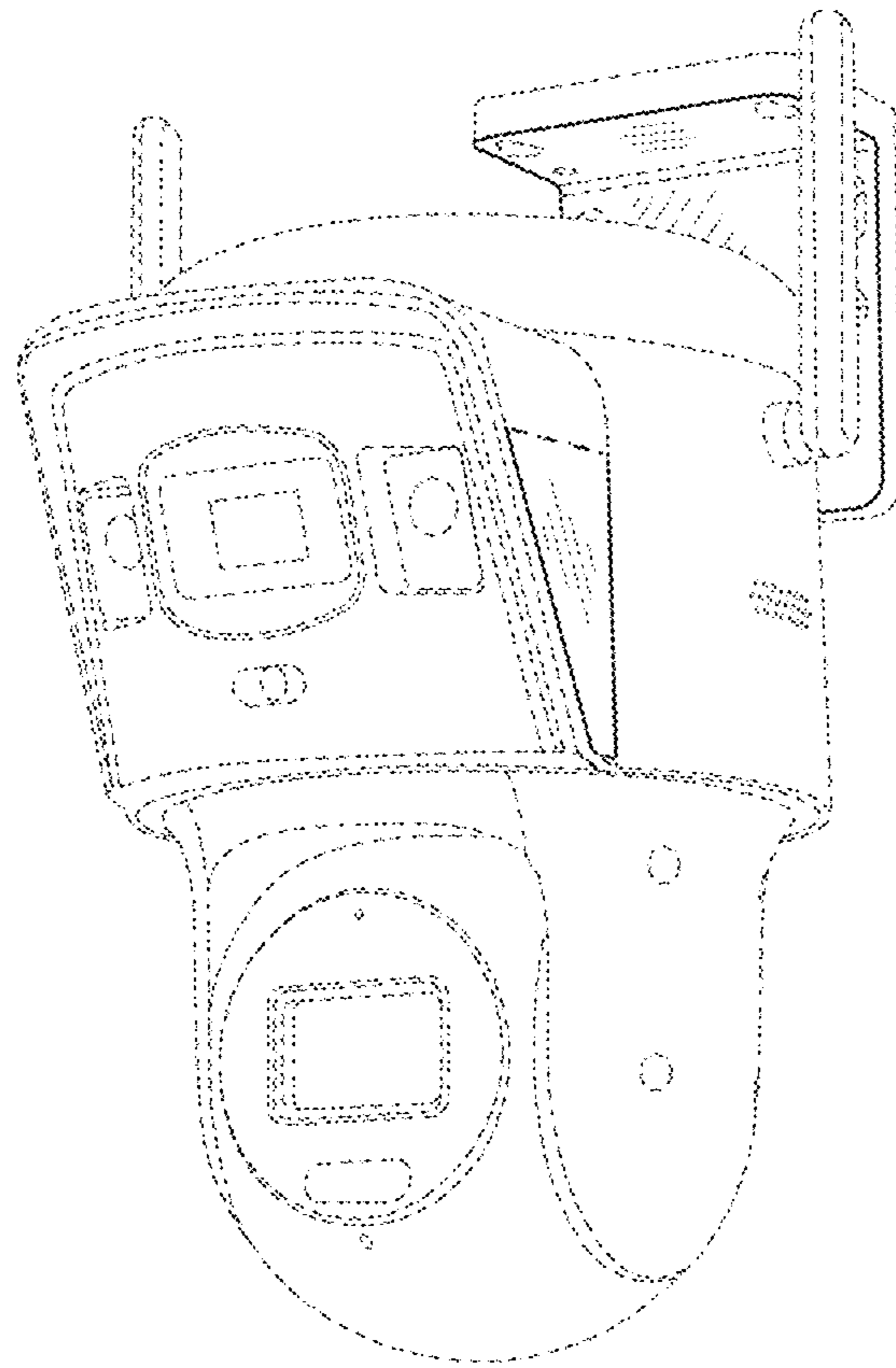


FIG.7