



US00D989150S

(12) **United States Design Patent**
Sathe et al.

(10) **Patent No.:** **US D989,150 S**
(45) **Date of Patent:** **** Jun. 13, 2023**

(54) **CAMERA**

(71) Applicant: **Microsoft Corporation**, Redmond, WA
(US)

(72) Inventors: **Rhishikesh A. Sathe**, Bothell, WA
(US); **Kae-Ling J. Gurr**, Seattle, WA
(US); **Lalit Anil Palve**, Vancouver (CA)

(73) Assignee: **Microsoft Corporation**, Redmond, WA
(US)

(**) Term: **15 Years**

(21) Appl. No.: **29/801,731**

(22) Filed: **Jul. 30, 2021**

(51) **LOC (14) Cl.** **16-01**

(52) **U.S. Cl.**
USPC **D16/202; D16/218**

(58) **Field of Classification Search**
USPC D16/200, 202-206, 218, 219, 242
CPC G03B 17/02; G03B 19/04; G03B 17/56;
G03B 17/04; G03B 15/03; H04N 5/2251;
H04N 5/2252; H04N 5/2253; H04N
5/2254; H04N 7/181; H04N 7/183; H04N
7/18; G08B 13/1963; G08B 13/19619;
G08B 13/19632; F16M 11/04; F16M
13/00

See application file for complete search history.

(56) **References Cited**

U.S. PATENT DOCUMENTS

D564,004 S	3/2008	Ikeda et al.
D573,622 S	7/2008	Fisher et al.
D606,106 S	12/2009	Kim et al.
D614,223 S	4/2010	Kim et al.
D624,108 S	9/2010	Wang et al.
D647,933 S	11/2011	Raken et al.
D647,934 S	11/2011	Raken et al.
D647,935 S	11/2011	Raken et al.
D647,937 S	11/2011	Raken et al.

D834,085 S	*	11/2018	Lu	D16/203
D839,945 S	*	2/2019	Lenz	D16/218
D859,497 S	*	9/2019	Turgel	D16/208
D860,291 S	*	9/2019	Lenz	D16/208

(Continued)

FOREIGN PATENT DOCUMENTS

JP	2022000758 A	1/2022
JP	2022009144 A	1/2022

OTHER PUBLICATIONS

“Office Action Issued in Indian Patent Application No. 357530-001”, dated Feb. 25, 2022, 2 Pages (MS# 410364-IN-RD[2]).

(Continued)

Primary Examiner — Ramzi Almatrahi

(74) *Attorney, Agent, or Firm* — Banner & Witcoff, Ltd.

(57) **CLAIM**

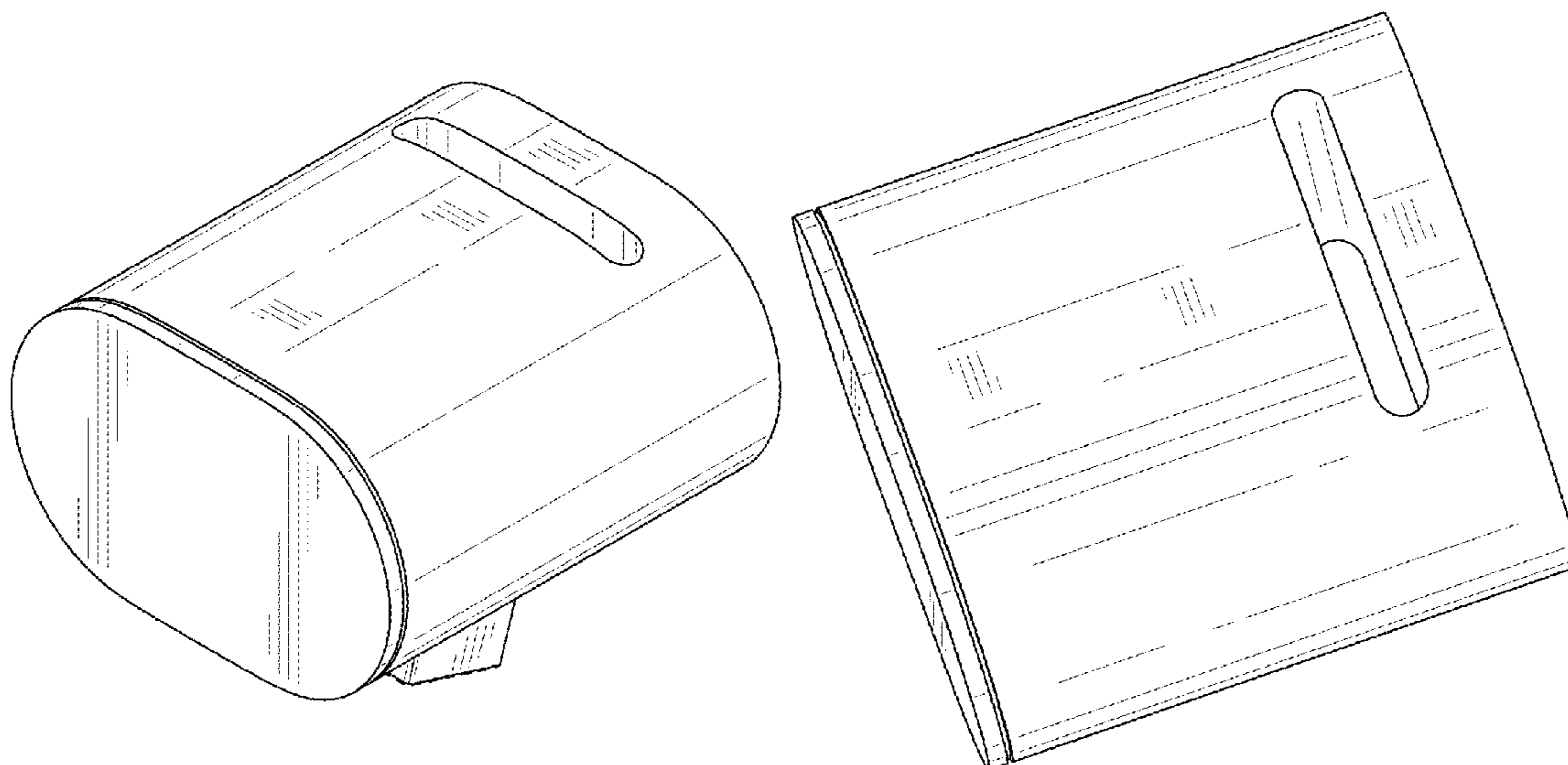
The ornamental design for a camera, as shown and described.

DESCRIPTION

FIG. 1 is a top, front and right side perspective view of a camera showing our new design;
FIG. 2 is a top perspective view thereof;
FIG. 3 is a front view thereof;
FIG. 4 is a rear view thereof;
FIG. 5 is a left side view thereof;
FIG. 6 is a right side view thereof;
FIG. 7 is a top view thereof;
FIG. 8 is a bottom view thereof; and,
FIG. 9 is an enlarged view of the encircled portion 9 shown in FIG. 3.

The broken lines depict portions of the camera in which the design is embodied that form no part of the claimed design. The dot-dash broken lines encircling an enlargement portion of the design forms no part of the claimed design.

1 Claim, 5 Drawing Sheets



(56)

References Cited

U.S. PATENT DOCUMENTS

D892,904 S	8/2020	Dearsley et al.	
D893,577 S	8/2020	Dearsley et al.	
D899,484 S	10/2020	Harju et al.	
D924,300 S *	7/2021	Zhao	D16/202
D949,226 S *	4/2022	Liao	D16/202
D954,777 S *	6/2022	Zhao	D16/202
D960,953 S *	8/2022	Chen	D16/202

OTHER PUBLICATIONS

“Office Action Issued in Australian Patent Application No. 202210514”, dated Feb. 10, 2022, 3 Pages (MS# 410364-AU-RD).
“Office Action Issued in Indian Patent Application No. 357529-001”, dated Feb. 24, 2022, 2 Pages (MS# 410364-IN-RD).
“Office Action Issued in Indian Patent Application No. 357531-001”, dated Feb. 28, 2022, 2 Pages. (MS# 410363-IN-RD).

“Office Action Issued in Japanese Patent Application No. 2022-000759”, dated Feb. 2, 2022, 3 Pages. (MS#410364-JP-RD).
“Notice of Allowance Issued in Chinese Patent Application No. 202230030491.X”, dated Mar. 28, 2022, 4 Pages. (MS#410363-CN-RD).
“Office Action Issued in Japanese Patent Application No. 2022-000758”, dated Jun. 3, 2022, 9 Pages. (MS# 410363-JP-RD).
“Office Action Issued in Japanese Patent Application No. 2022-000759”, dated Jun. 2, 2022, 5 Pages. (MS# 410364-JP-RD).
“Office Action Issued in Japanese Patent Application No. 2022-009144”, dated Jun. 3, 2022, 10 Pages. (MS# 410364-JP-RDD).
“Autofocus web camera CMS-V45S”, Retrieved from: <https://www.sanwa.co.jp/product/syohin?code=CMS-V45S>, Dec. 5, 2018, 6 Pages.
“Notice of Allowance Issued in Japanese Patent Application No. 2022-000759”, dated Sep. 7, 2022, 4 Pages. (MS#410364-JP-RD).
“Notice of Allowance Issued in Japanese Patent Application No. 2022-009144”, dated Sep. 29, 2022, 6 Pages. (MS#410364-JP-RDD).
“Mac Fan”, In Publication of Mynavi Publishing Co. Ltd, vol. 29, Issue 5, May 1, 2021, 4 Pages.

* cited by examiner

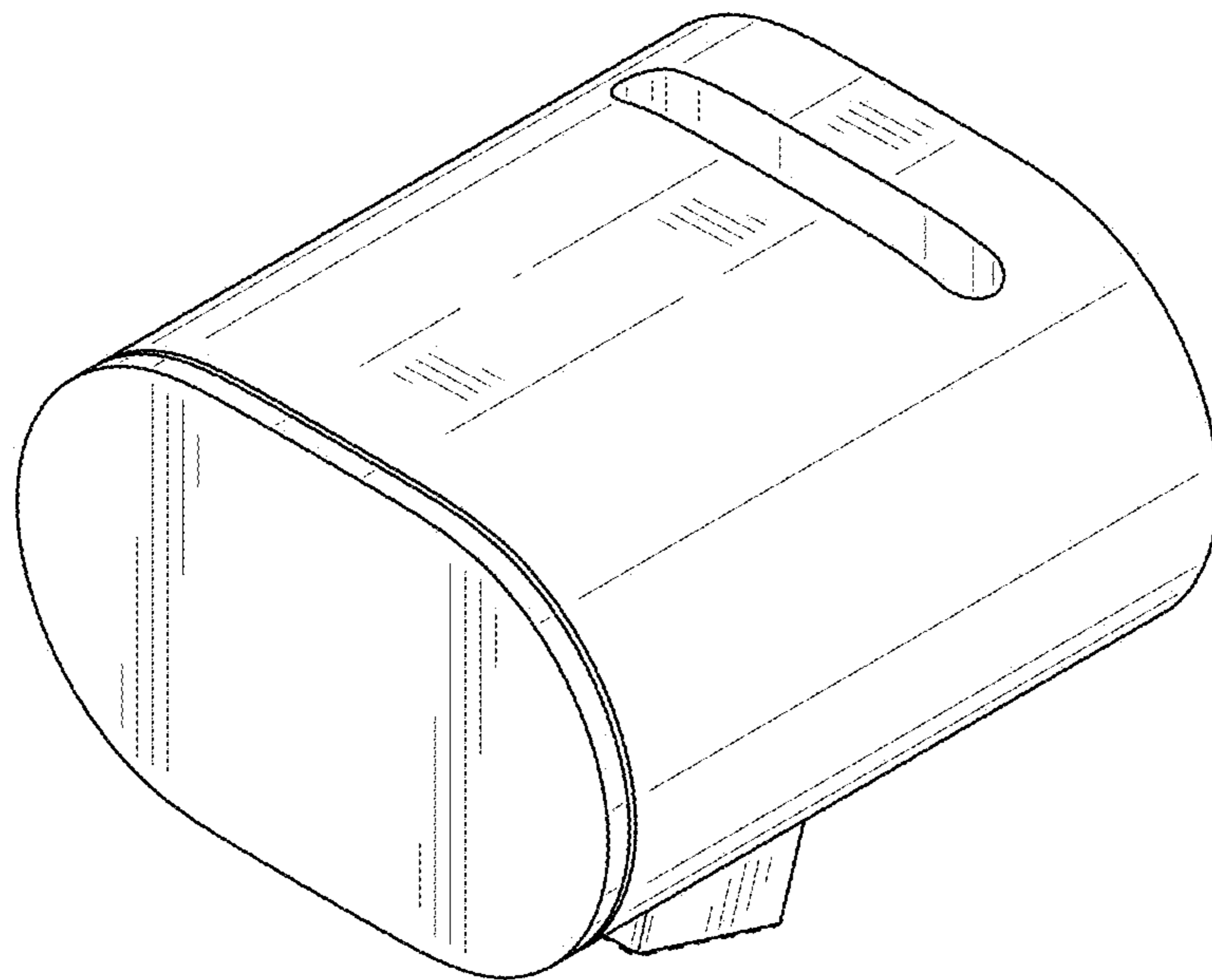


FIG. 1

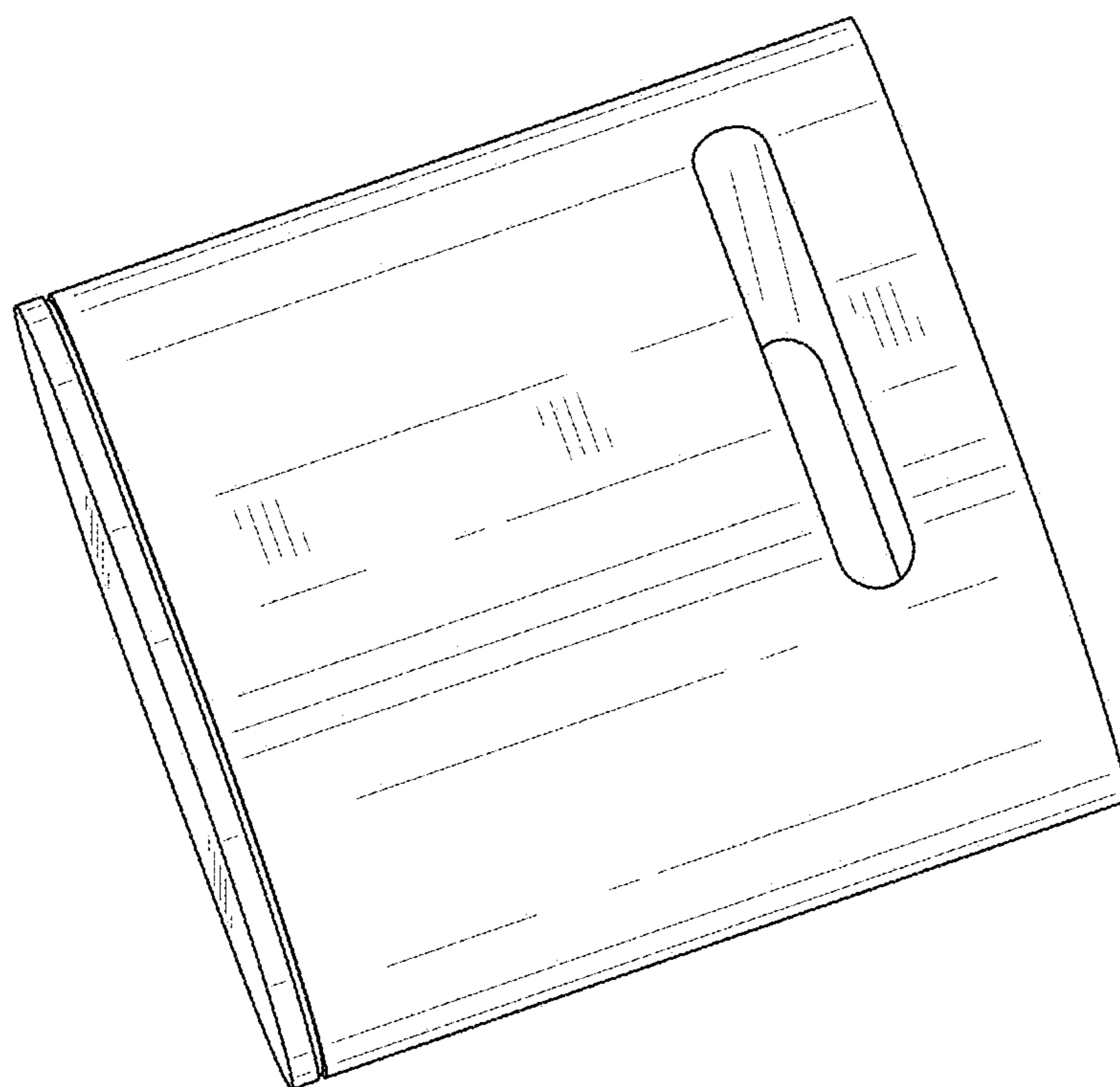


FIG. 2

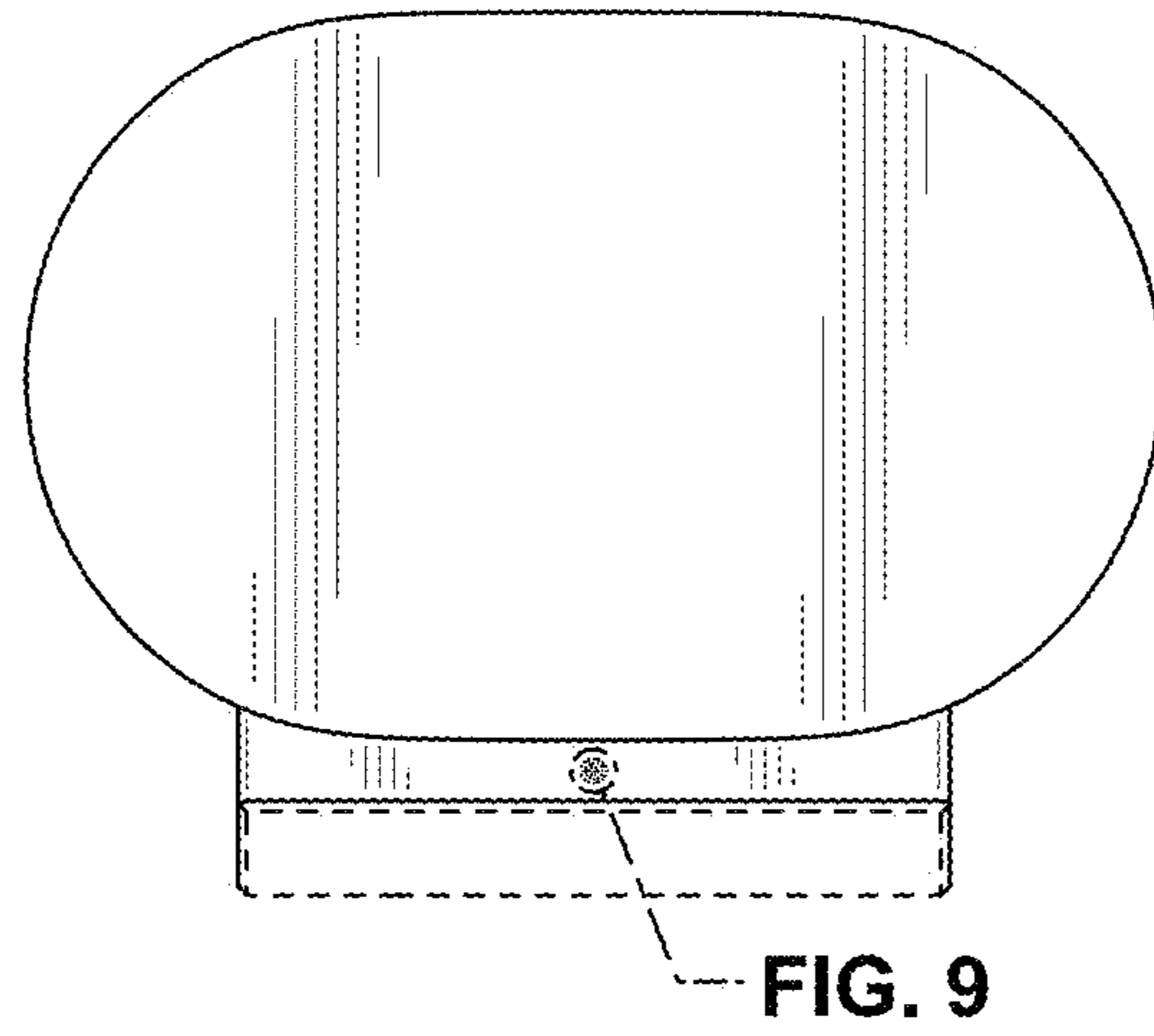


FIG. 3

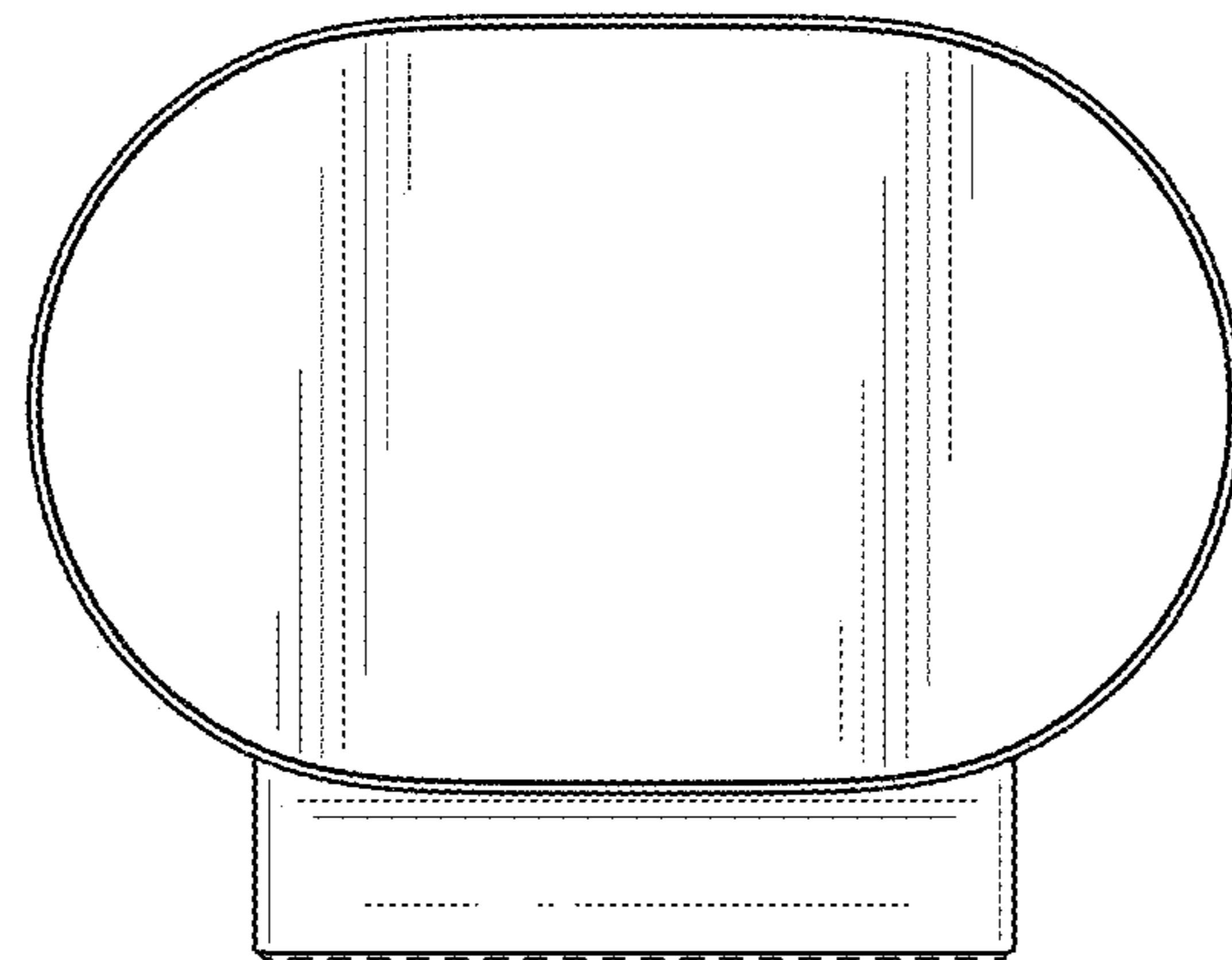


FIG. 4

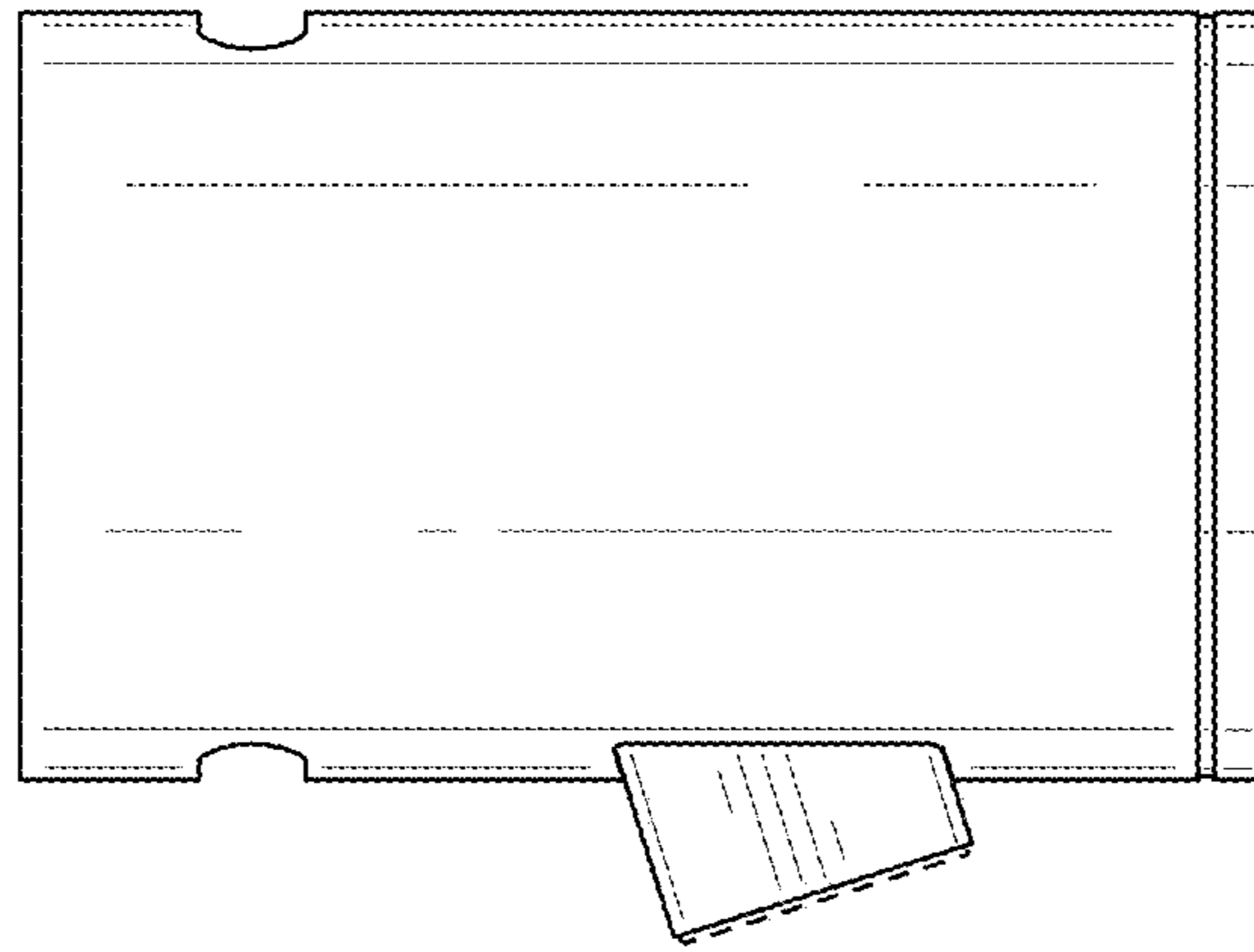


FIG. 5

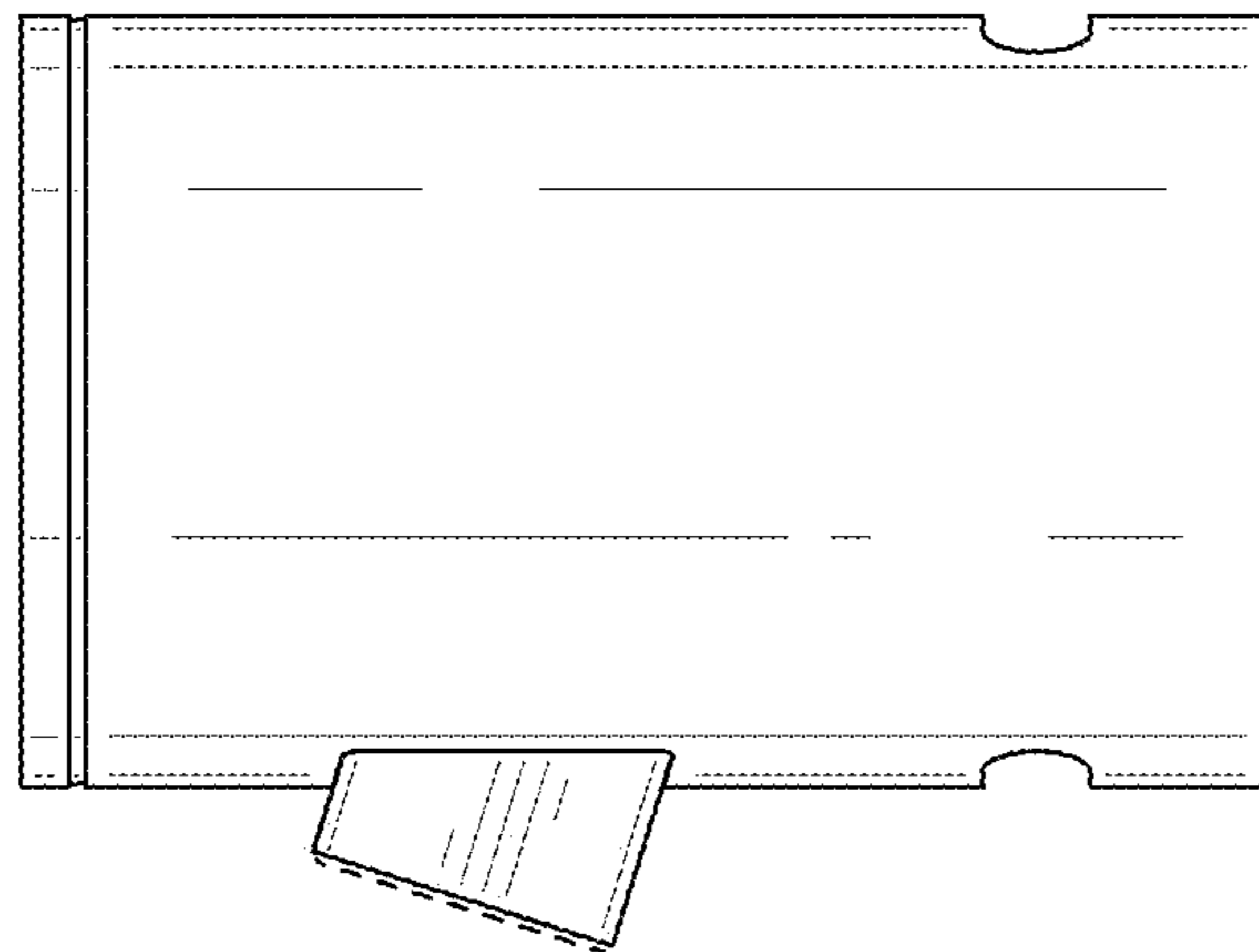


FIG. 6

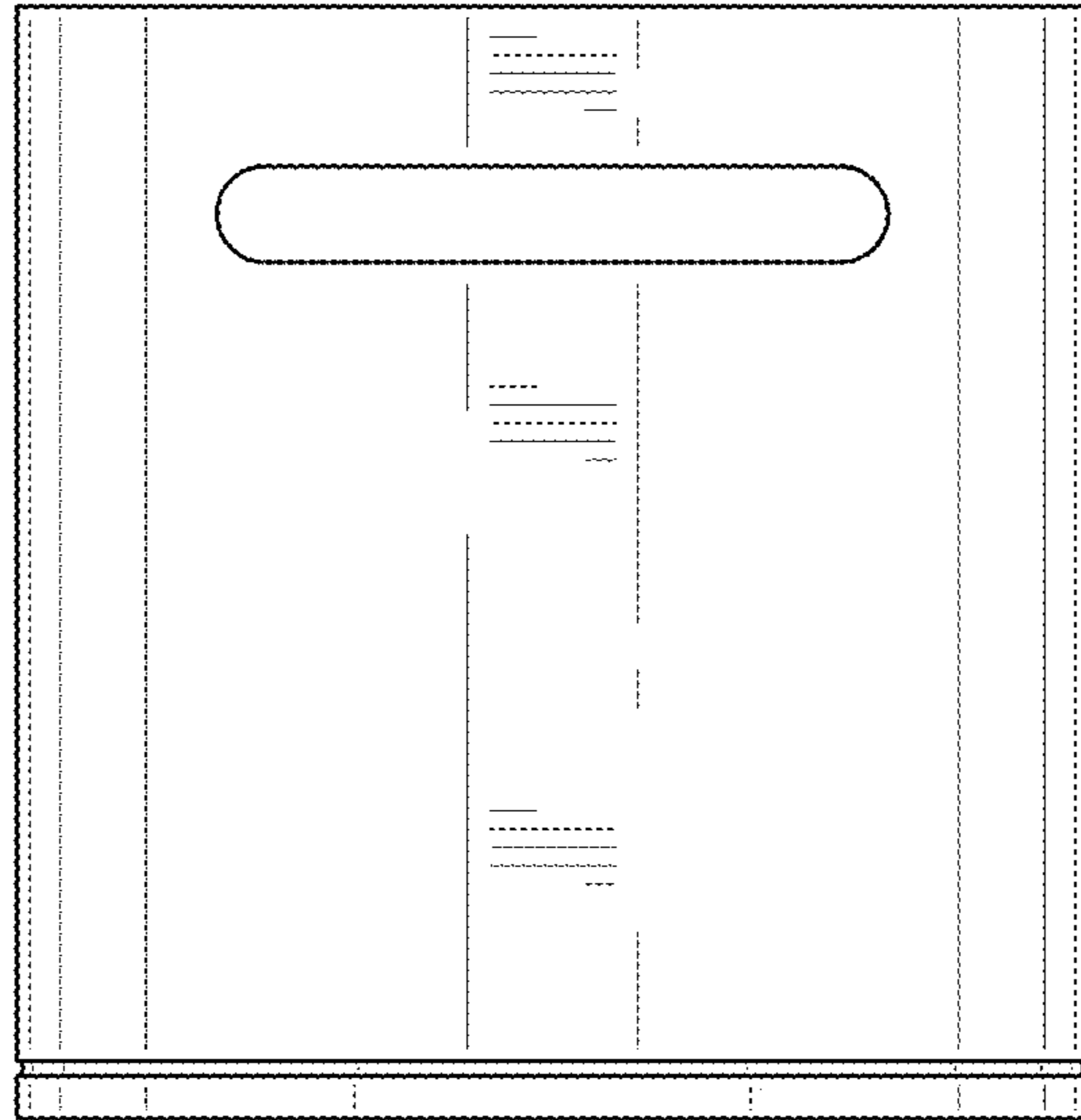


FIG. 7

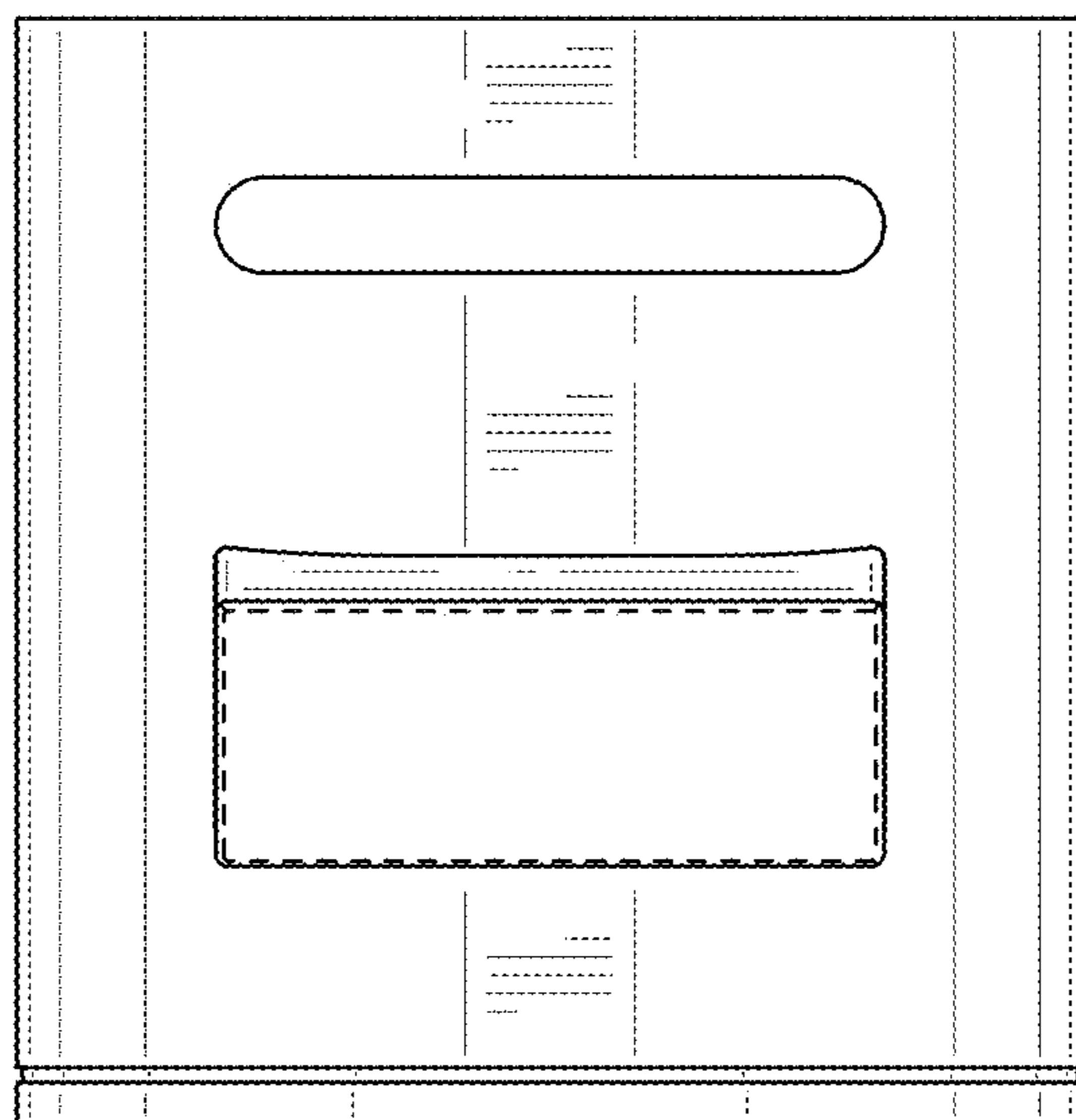


FIG. 8

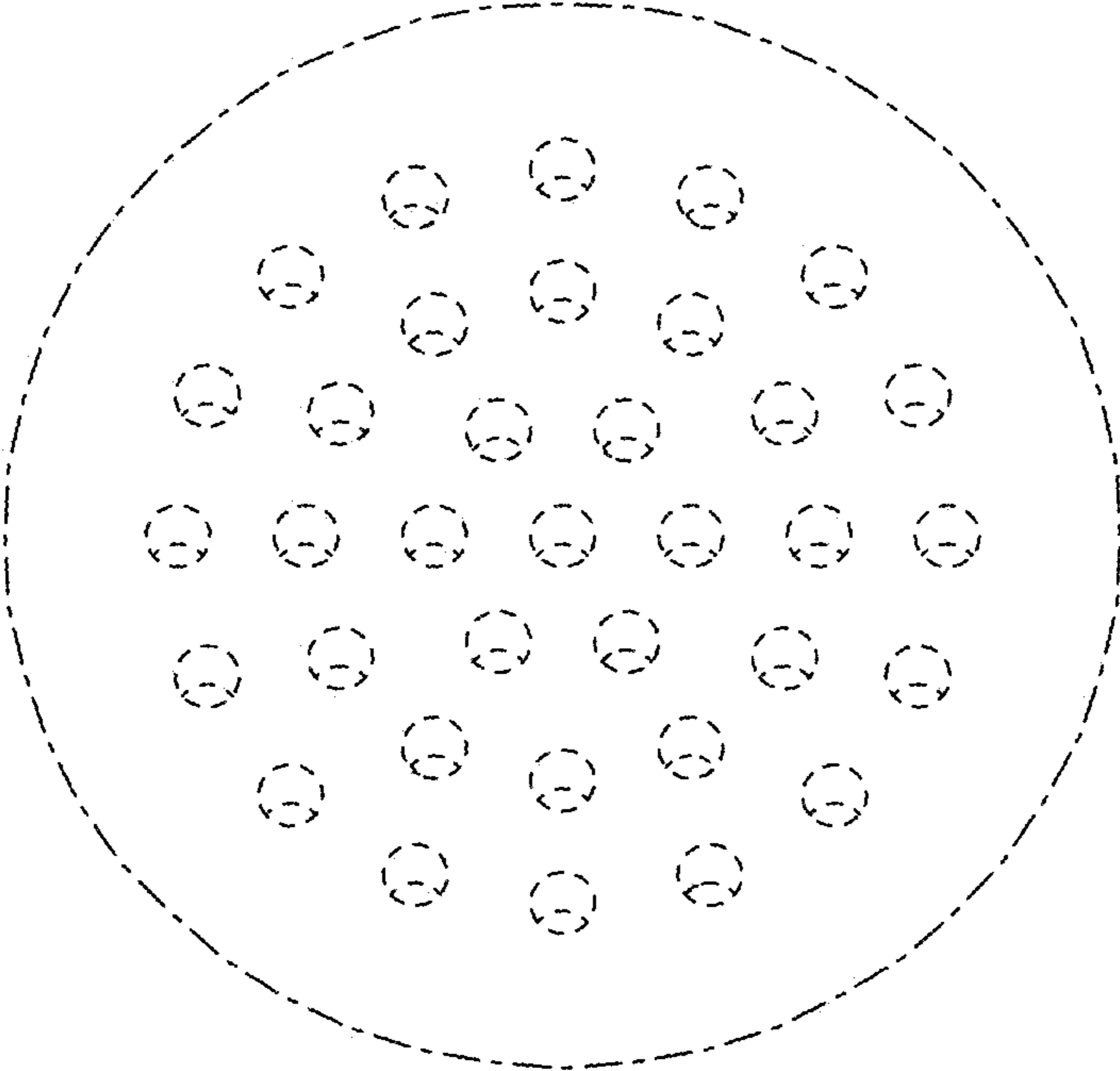


FIG. 9