



US00D989149S

(12) **United States Design Patent** (10) **Patent No.:** **US D989,149 S**
McManigal et al. (45) **Date of Patent:** **** Jun. 13, 2023**

(54) **CAMERA**

(71) Applicant: **Arlo Technologies, Inc.**, Carlsbad, CA (US)

(72) Inventors: **Scott McManigal**, Newport Beach, CA (US); **Christopher Fonzo**, Carlsbad, CA (US); **Kent Crandall**, Carlsbad, CA (US); **Glen Oross**, San Diego, CA (US); **Beau Oyler**, Walnut Creek, CA (US); **Dayne Tanner**, Concord, CA (US)

(73) Assignee: **Arlo Technologies, Inc.**, Carlsbad, CA (US)

(**) Term: **15 Years**

(21) Appl. No.: **29/779,584**

(22) Filed: **Apr. 20, 2021**

(51) **LOC (14) Cl.** **16-01**

(52) **U.S. Cl.**
USPC **D16/203**

(58) **Field of Classification Search**
USPC D16/200, 202–204, 208, 211, 214, 218, D16/219, 243; D10/57, 70
CPC G03B 17/00; G03B 17/02; G03B 2217/00; H04N 5/225; H04N 5/2251; H04N 5/2252

See application file for complete search history.

(56) **References Cited**

U.S. PATENT DOCUMENTS

D757,835 S	5/2016	Tabuchi	
D785,067 S	4/2017	Ramones et al.	
D813,289 S *	3/2018	Laffon de Mazieres D16/202
D818,028 S	5/2018	Ramones et al.	
D818,515 S *	5/2018	Laurans D16/203
D819,715 S *	6/2018	Laurans D16/203
D825,639 S *	8/2018	Kan D16/203
D831,089 S *	10/2018	Laffon de Mazieres D16/202

D853,464 S *	7/2019	Moon D16/203
D863,398 S *	10/2019	Huang D16/203
D874,536 S *	2/2020	Park D10/104.1
D886,177 S	6/2020	Ramones et al.	
D886,882 S *	6/2020	Ramones D16/202
D896,870 S *	9/2020	Li D16/203
D908,765 S *	1/2021	Wang D16/203
D912,122 S	3/2021	McManigal et al.	
D916,166 S *	4/2021	Li D16/203
D917,597 S *	4/2021	Park D16/202
D923,077 S *	6/2021	Pritikin D16/214
D935,507 S *	11/2021	Li D16/203

(Continued)

OTHER PUBLICATIONS

“Arlo Essential Indoor Camera,” first available Feb. 10, 2021, retrieved on Sep. 9, 2022 from <https://www.amazon.com/Arlo-Essential-Indoor-Camera-Plug/dp/B08WFJKK2T/> (Year: 2021).*

Primary Examiner — Maria J. Edwards

Assistant Examiner — Dina Michelle Hoeynck

(74) *Attorney, Agent, or Firm* — Boyle Fredrickson S.C.

(57) **CLAIM**

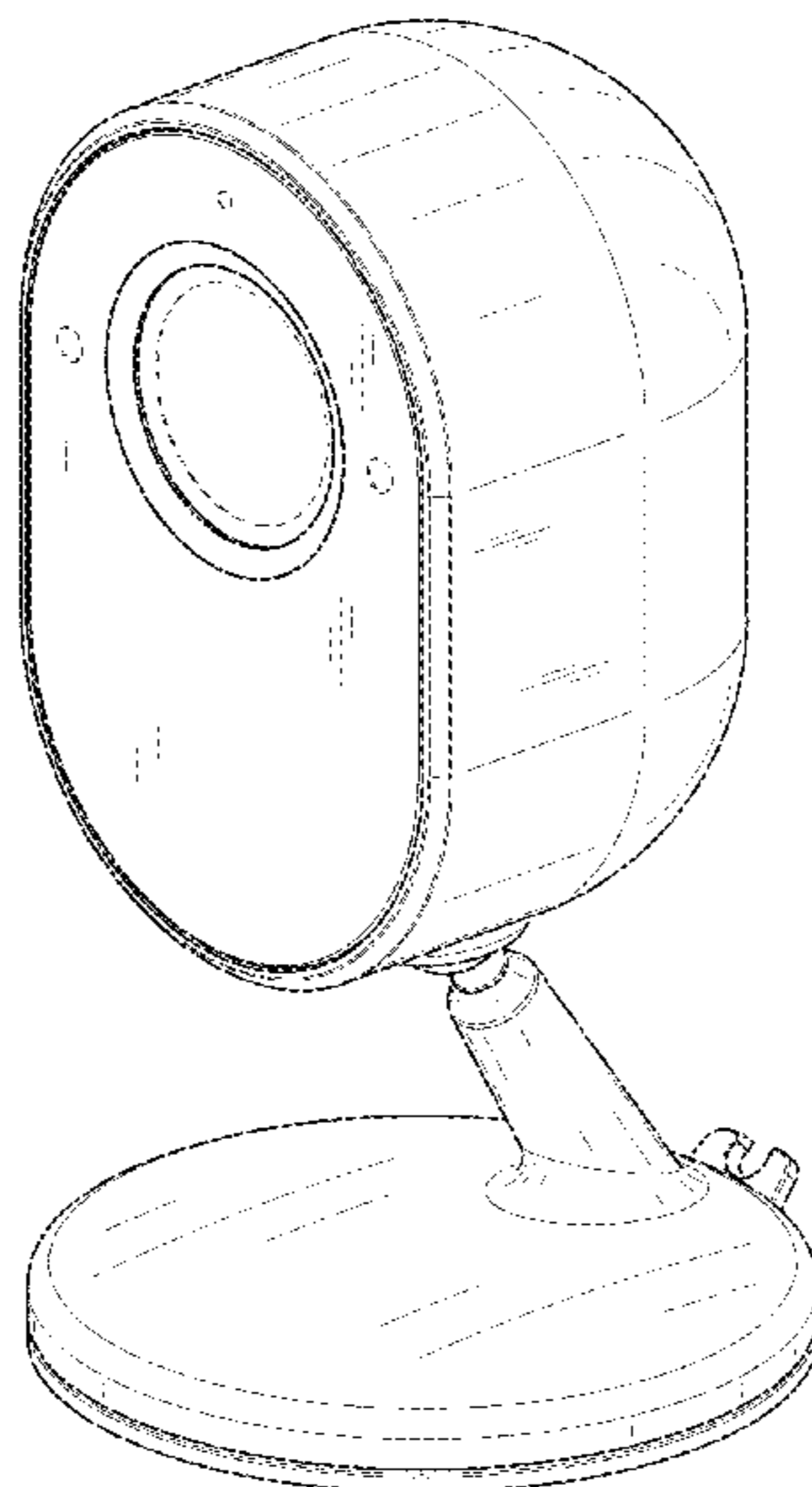
The ornamental design for a camera, as shown and described.

DESCRIPTION

FIG. 1 is a top, front, right side perspective view of a camera showing our new design; FIG. 2 is a front elevation view thereof; FIG. 3 is a rear elevation view thereof; FIG. 4 is a right-side elevation view thereof; FIG. 5 is a left-side elevation view thereof; FIG. 6 is a top plan view thereof; and, FIG. 7 is a bottom plan view thereof.

The dashed broken lines in the drawings represent unclaimed portions of the design, and the dash-dot broken lines represent boundaries of the claimed design. All of the broken lines form no part of the claimed design.

1 Claim, 7 Drawing Sheets



(56)

References Cited

U.S. PATENT DOCUMENTS

D947,271 S * 3/2022 Chen D16/218
D954,124 S * 6/2022 Long D16/200
D954,127 S * 6/2022 Liu D16/203
2020/0201144 A1* 6/2020 Ramones H04N 5/2252
2022/0182545 A1* 6/2022 Tang G03B 11/04

* cited by examiner

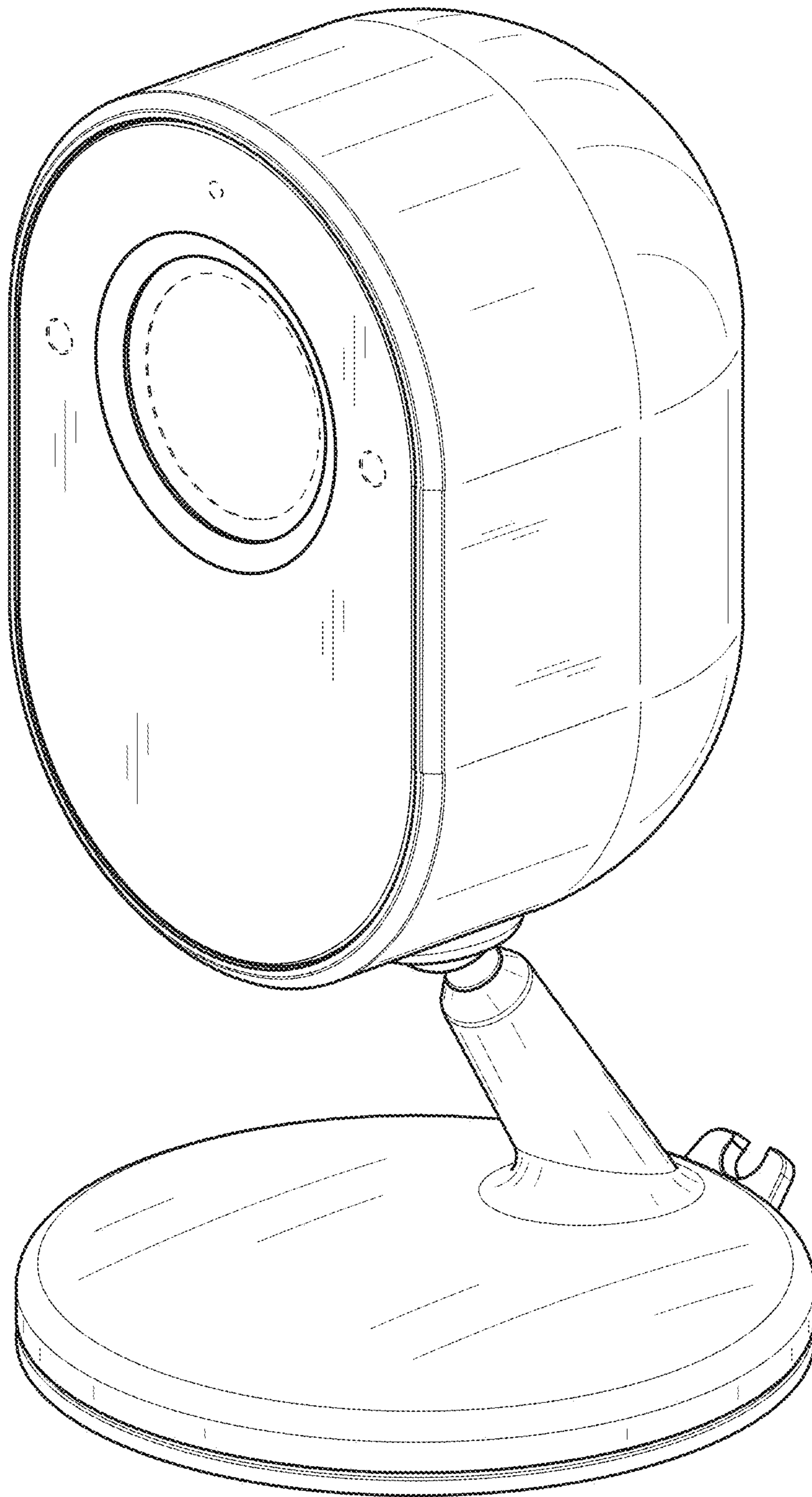


FIG. 1

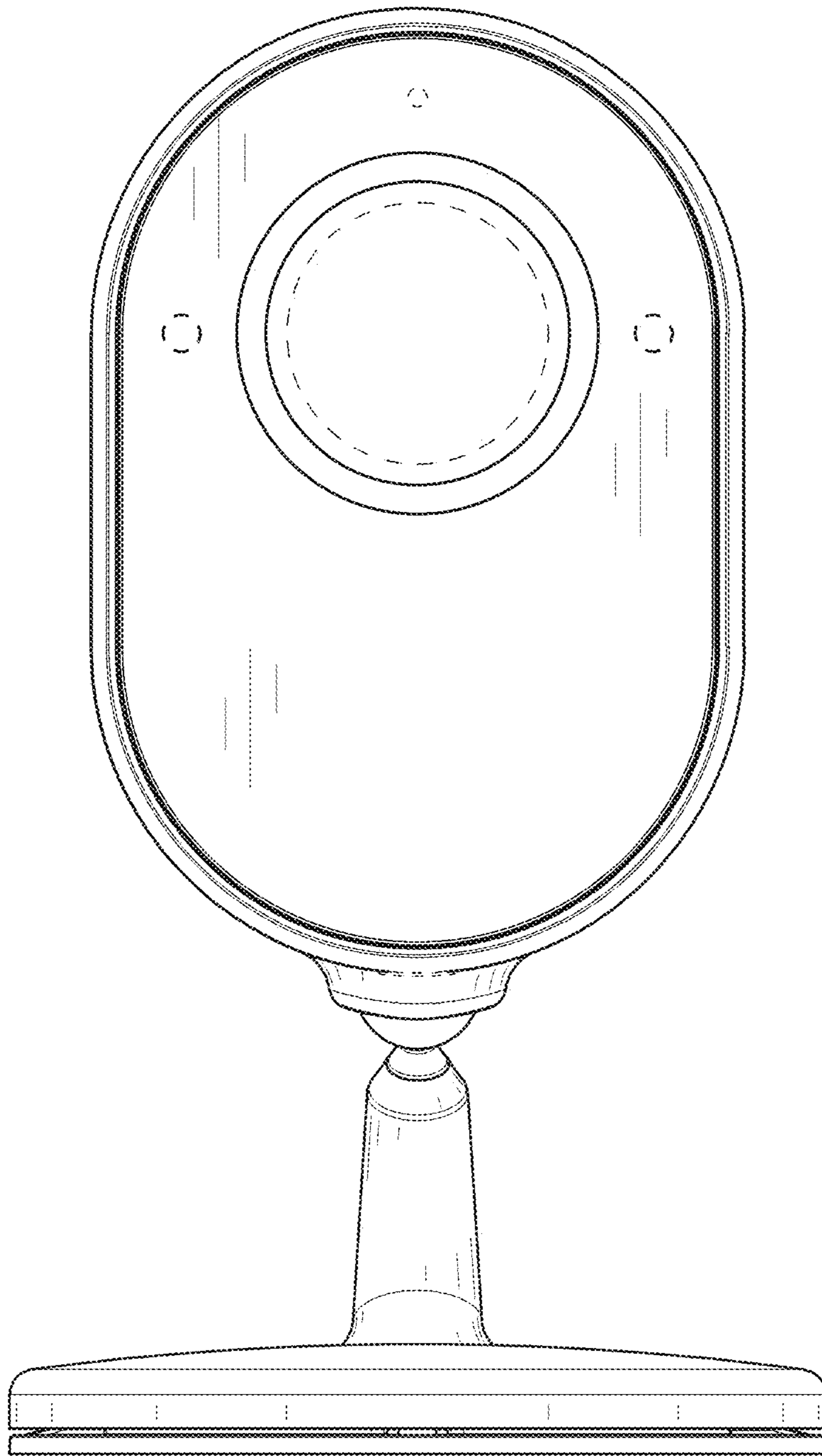


FIG. 2

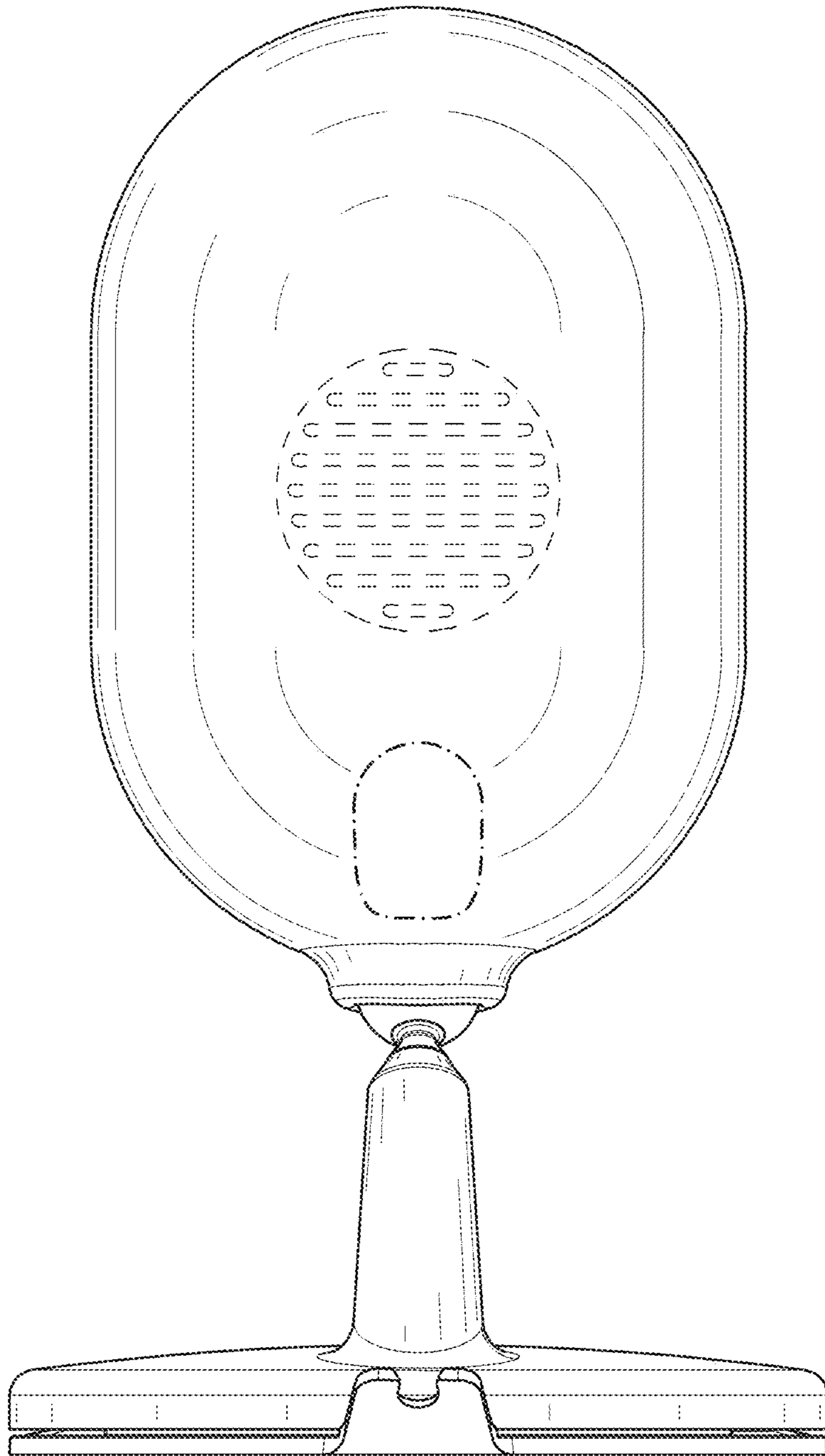


FIG. 3

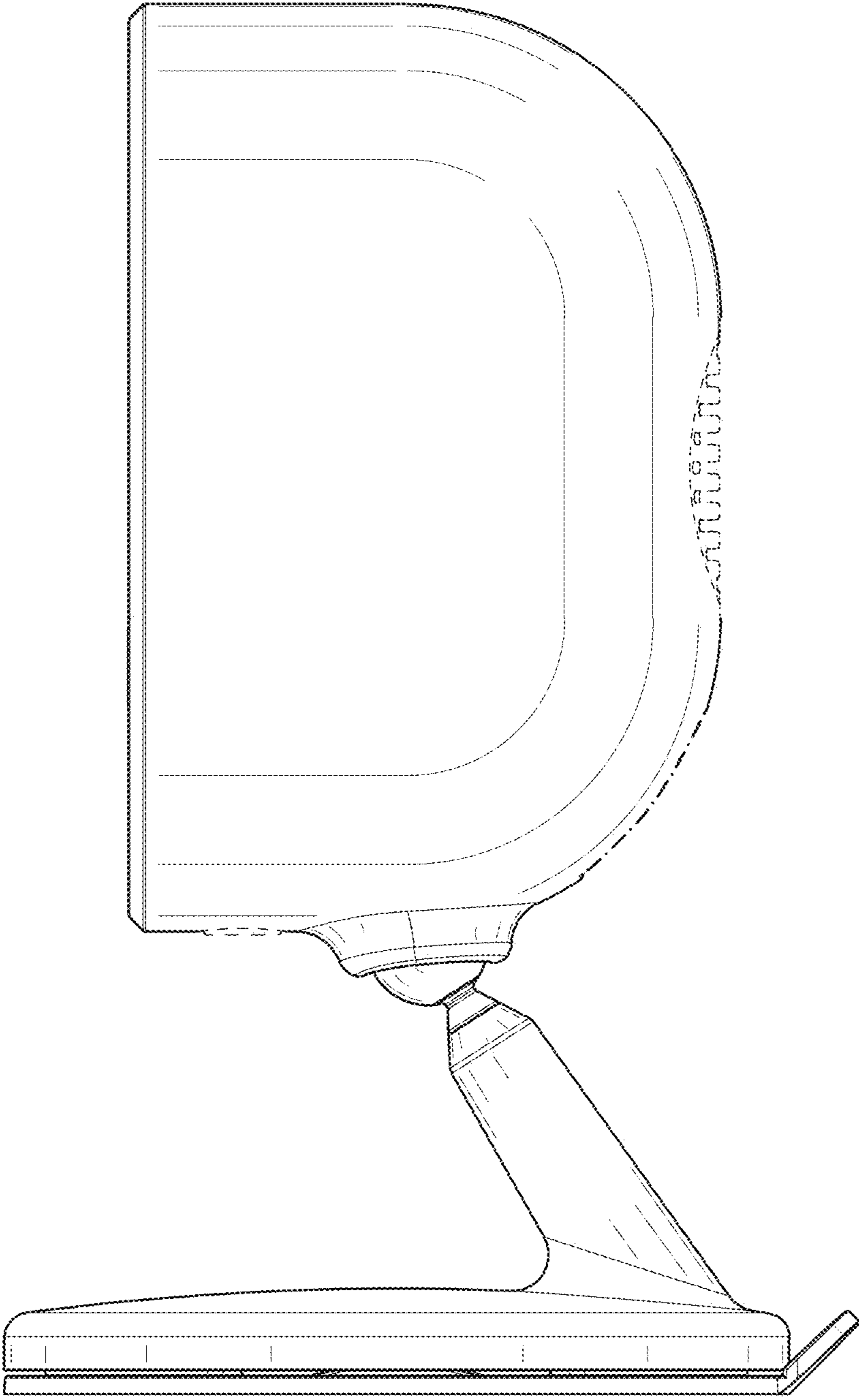


FIG. 4

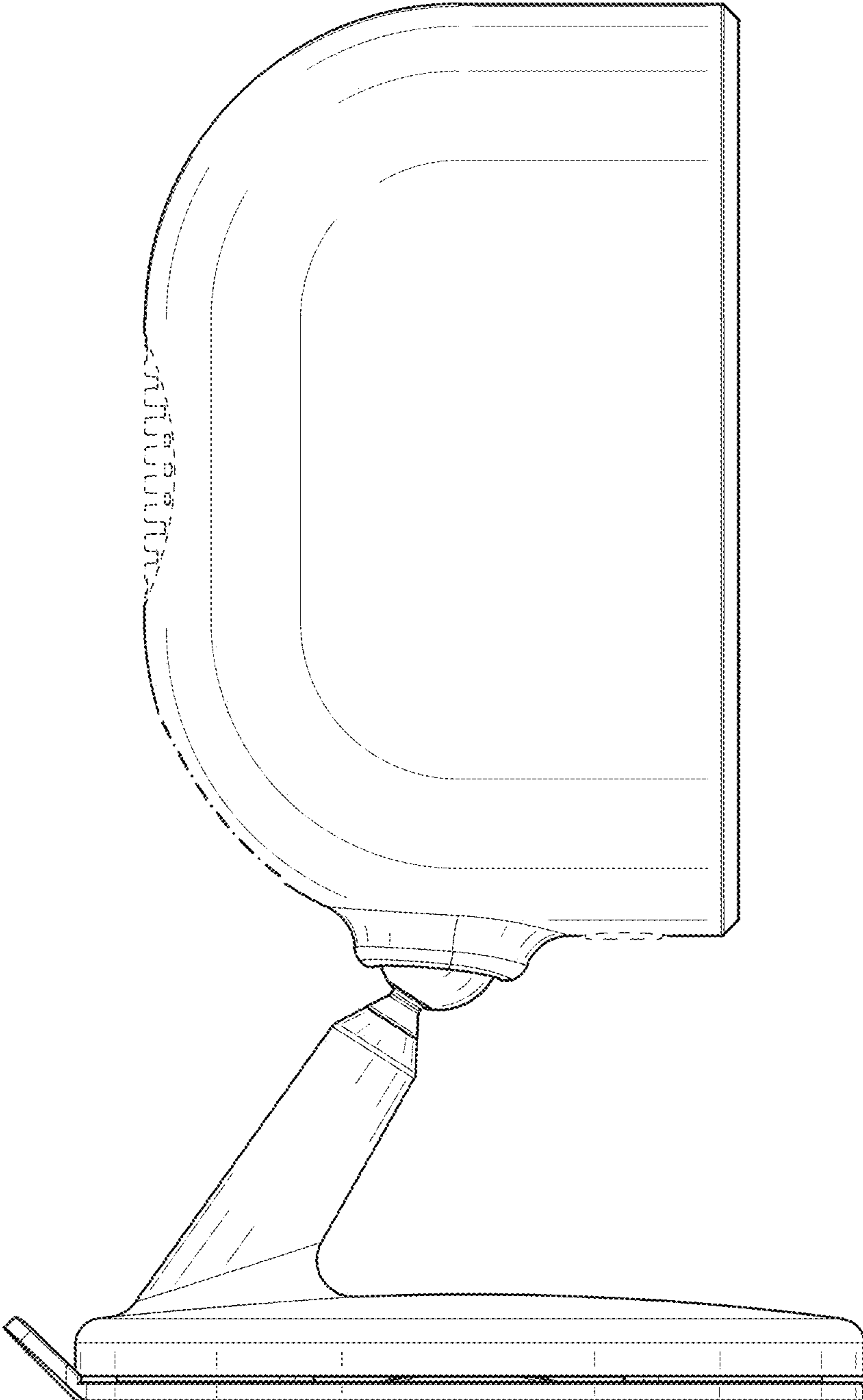


FIG. 5

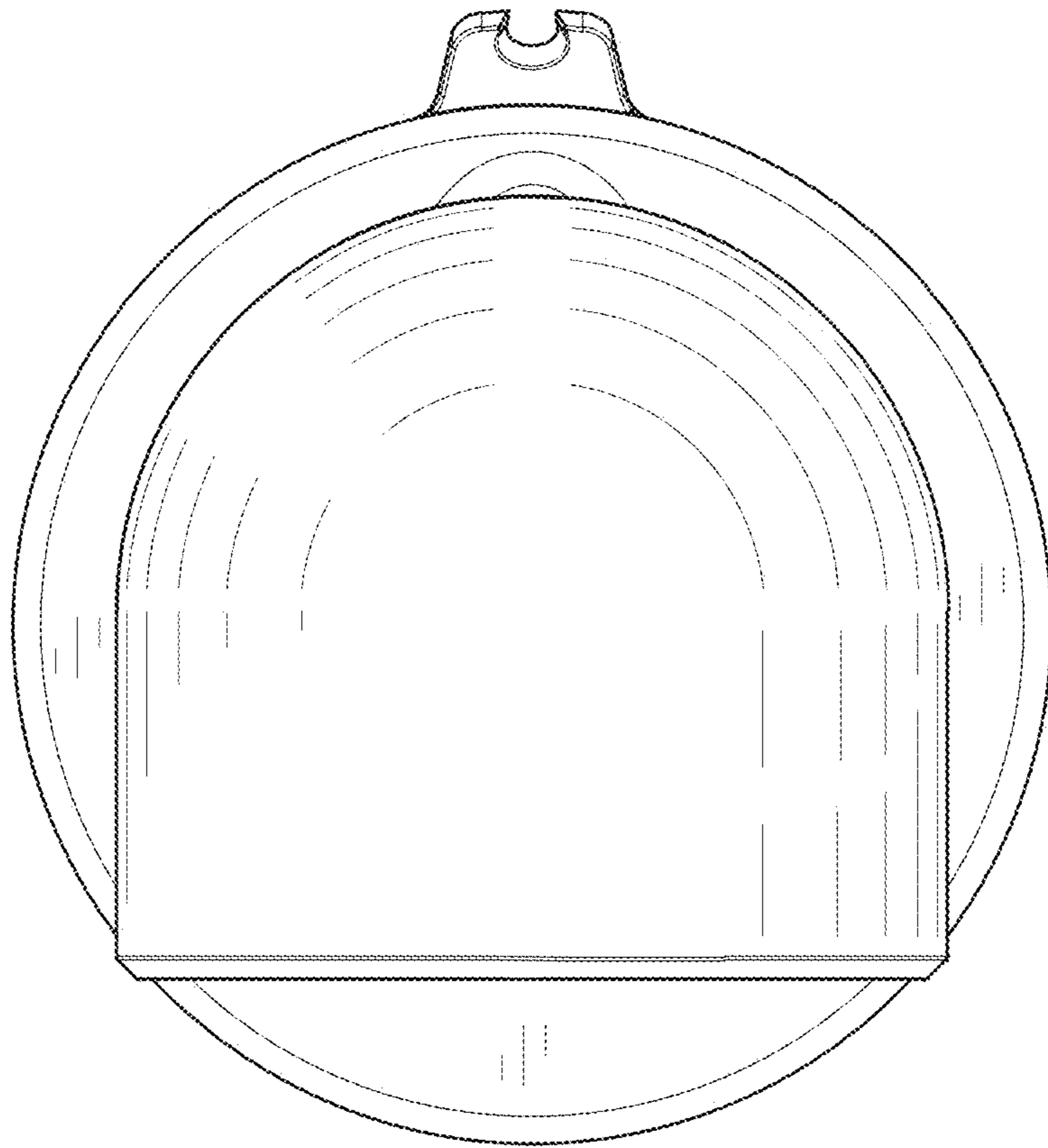


FIG. 6

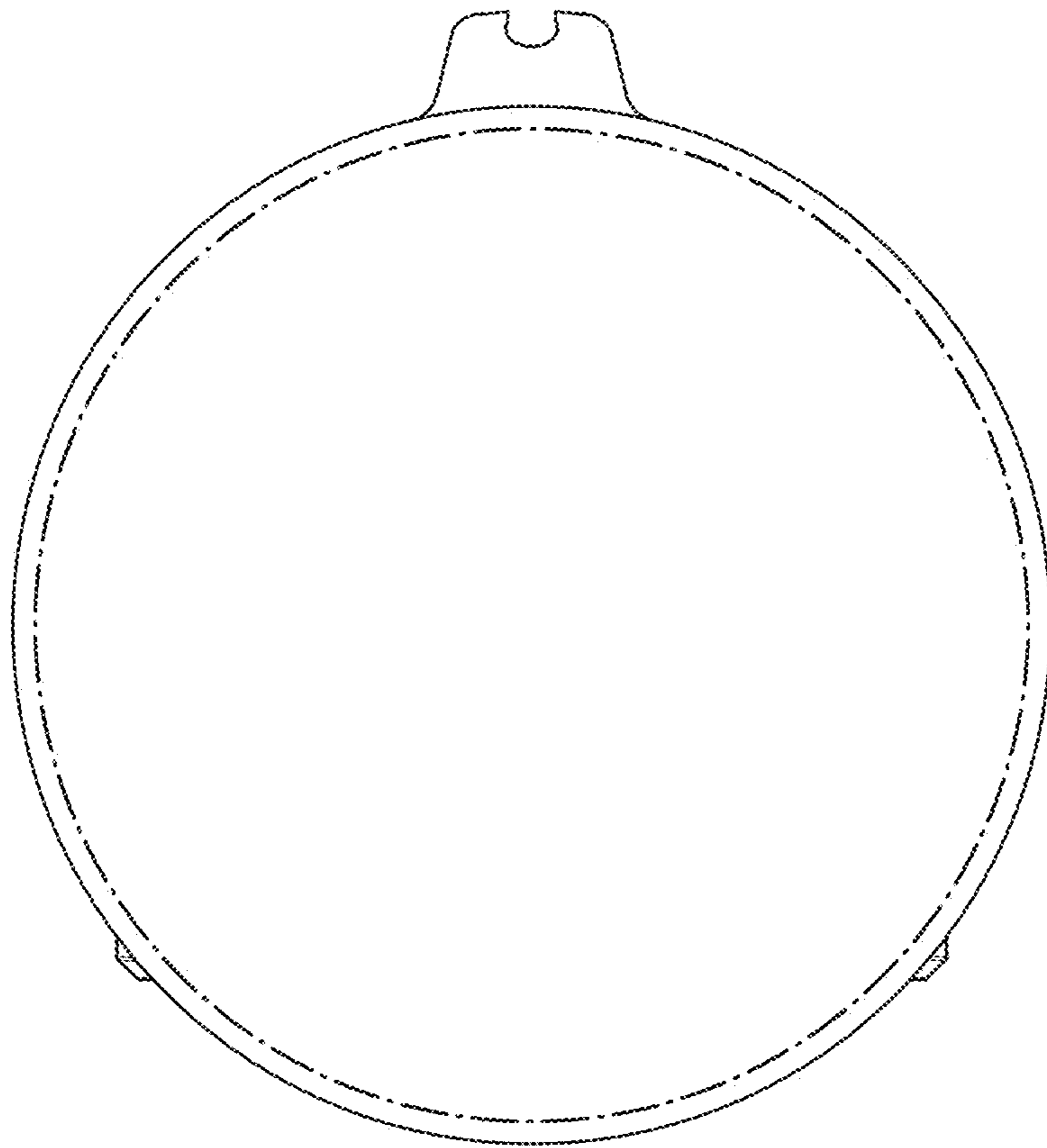


FIG. 7