



US00D989148S

(12) **United States Design Patent**
Sun

(10) **Patent No.:** **US D989,148 S**
(45) **Date of Patent:** **** Jun. 13, 2023**

(54) **BORESCOPE MONITOR**

(71) Applicant: **Yingjie Sun**, Irvine, CA (US)

(72) Inventor: **Yingjie Sun**, Irvine, CA (US)

(**) Term: **15 Years**

(21) Appl. No.: **29/788,081**

(22) Filed: **Mar. 10, 2021**

(51) **LOC (14) Cl.** **16-01**

(52) **U.S. Cl.**
USPC **D16/130**

(58) **Field of Classification Search**
USPC D16/130, 200–225; D22/145, 138, 199;
D24/160
CPC G06F 1/1601; G06F 1/1607
See application file for complete search history.

(56) **References Cited**

U.S. PATENT DOCUMENTS

D634,769 S *	3/2011	Sato	D16/202
D661,330 S *	6/2012	Yu	D16/202
D816,054 S *	4/2018	Nishizawa	D14/137
D904,482 S *	12/2020	Hoffman	D16/202
D916,163 S *	4/2021	Bruno	D16/200
D925,638 S *	7/2021	Elrod	D16/208

FOREIGN PATENT DOCUMENTS

CN	306217706	*	12/2020
CN	306671534	*	7/2021

OTHER PUBLICATIONS

Inskam Industrial Borescope, earliest pictured Jan. 23, 2021, [online],[site visited Oct. 18, 2022]. Available from Internet, <URL:https://inskam.com/products/inskam113-1-single-len-borescope-hd-720p-hard-wire-

43-inch-large-screen-ip67-waterproof-for-car-sewer-air-conditioner-mechanical-maintenance-34 > (Year: 2021).*
eBay Depstech Digital Endoscope, earliest pictured Oct. 16, 2022, [online],[site visited Oct. 18, 2022]. Available from Internet, <URL:https://www.ebay.com/itm/374085148932> (Year: 2022).*
Home Dept Teslong Borescope, earliest pictured review Dec. 11, 2021, [online],[site visited]. Available from Internet, <URL:https://www.homedepot.com/p/Dual-Lens-Inspection-Camera-with-1080p-Waterproof-Borescope-5-mm-Endoscope-NTS500D55DL3/320909415> (Year: 2021).*
Google Search, [online],[site visited Oct. 18, 2022]. Available from Internet, <URL:https://www.google.com/search?q=borescope&rlz=1C1GCEA_enUS1001US1001&hl=en-US&source=lnms&tbn=isch&sa=X&ved=2ahUKewjPrTT0er%E2%80%A6> (Year: 2022).*

* cited by examiner

Primary Examiner — Sanjeev Paul
Assistant Examiner — Breana Copeland
(74) *Attorney, Agent, or Firm* — Dunlap Bennett & Ludwig, PLLC

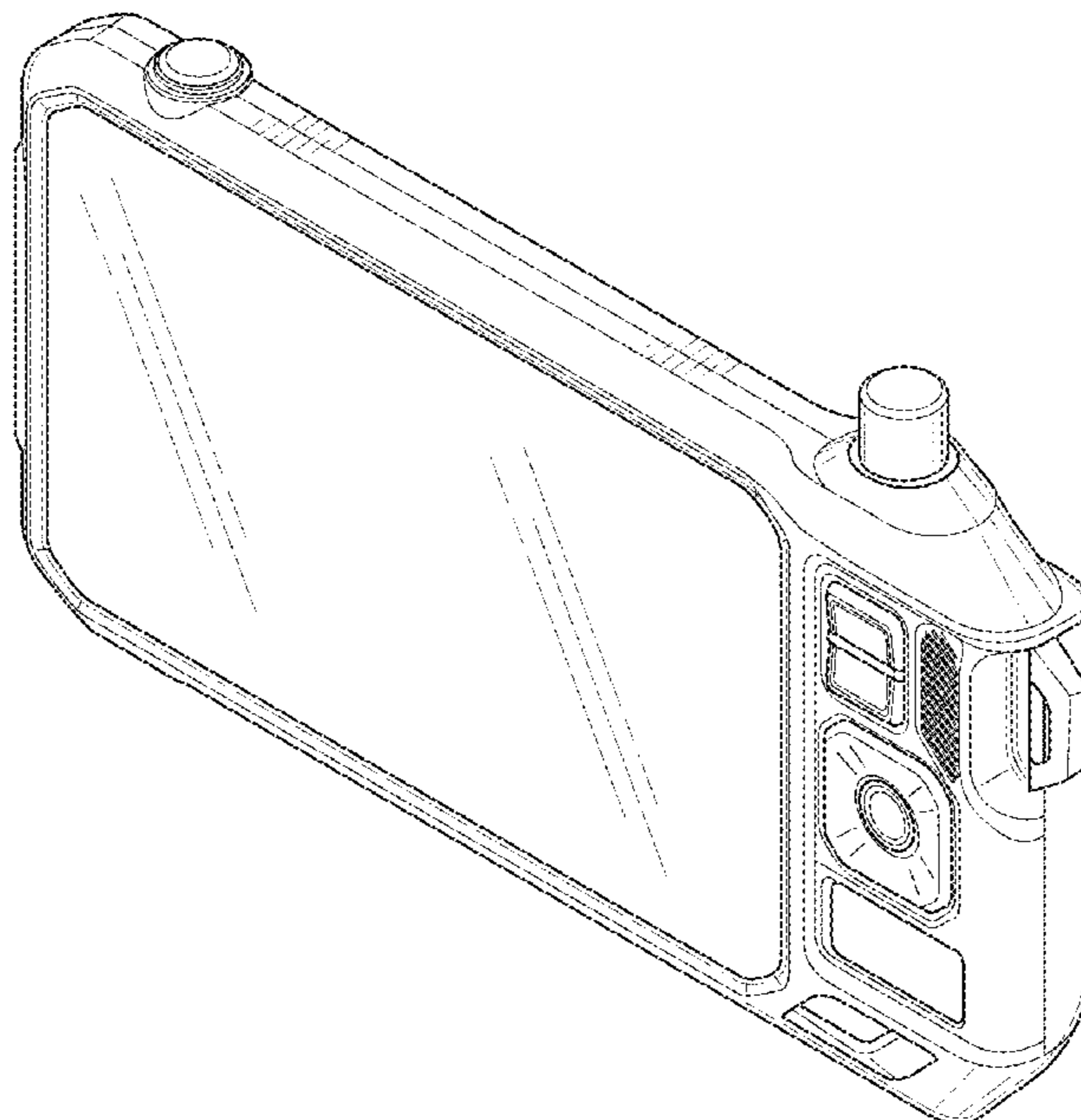
(57) **CLAIM**

The ornamental design for a borescope monitor, as shown and described.

DESCRIPTION

FIG. 1 is a top front perspective view of a borescope monitor, showing my new design;
FIG. 2 is a front elevation view thereof;
FIG. 3 is a rear elevation view thereof;
FIG. 4 is a left side elevation view thereof;
FIG. 5 is a right side elevation view thereof;
FIG. 6 is a top plan view thereof; and,
FIG. 7 is a bottom plan view thereof.
The broken lines shown in the drawings show unclaimed portions of the borescope monitor and form no part of the claimed design.

1 Claim, 5 Drawing Sheets



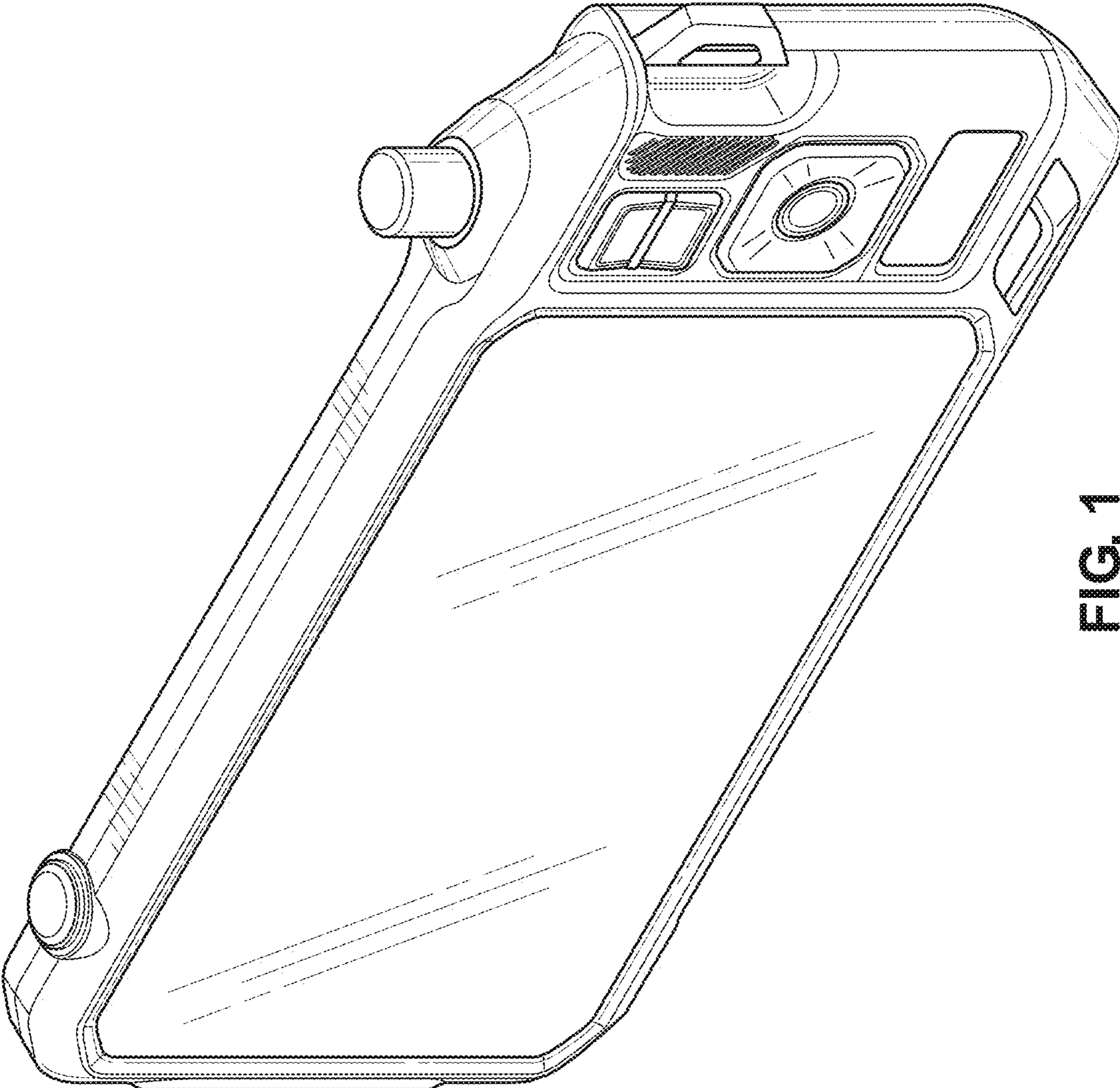


FIG. 1

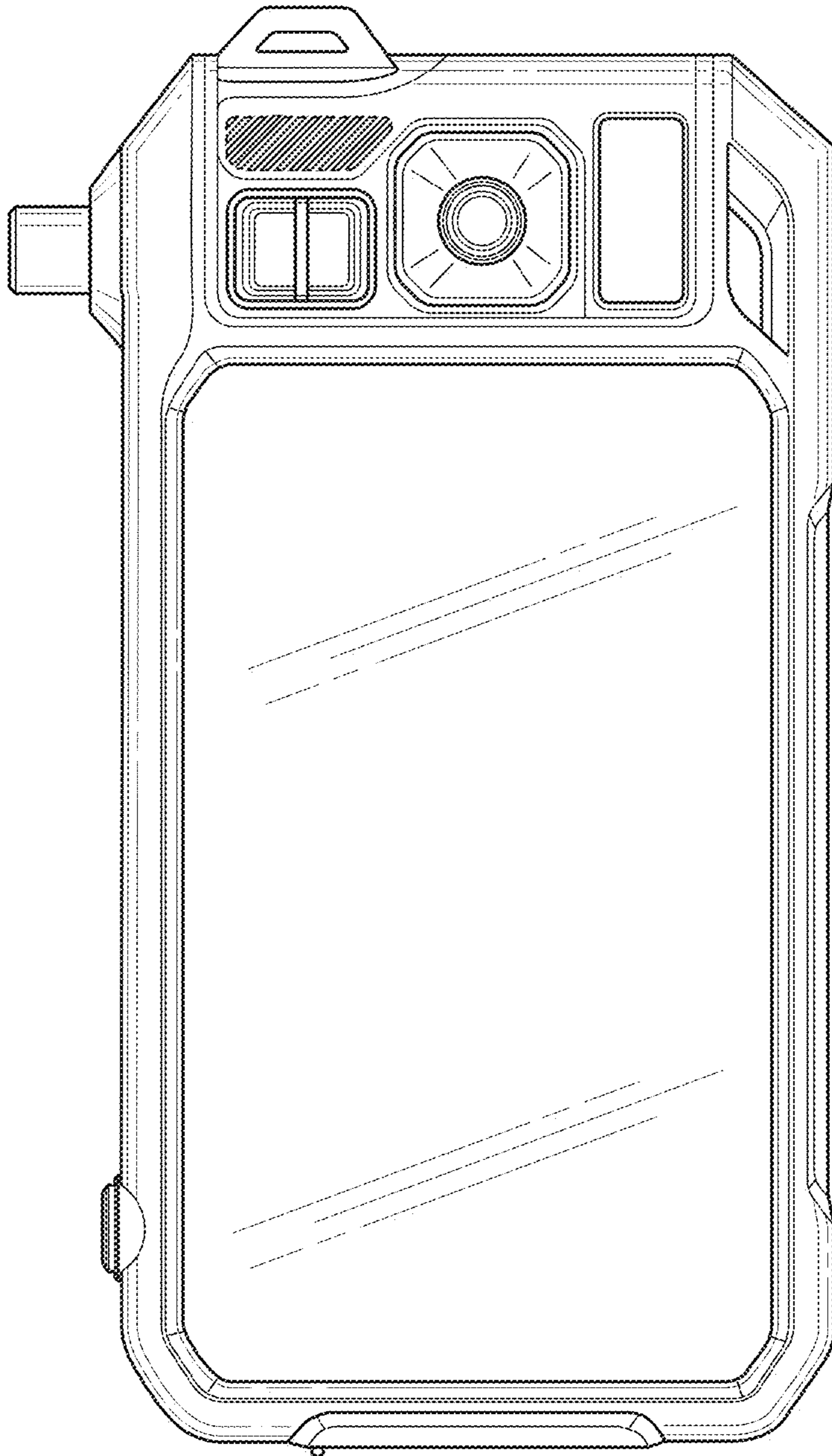


FIG. 2

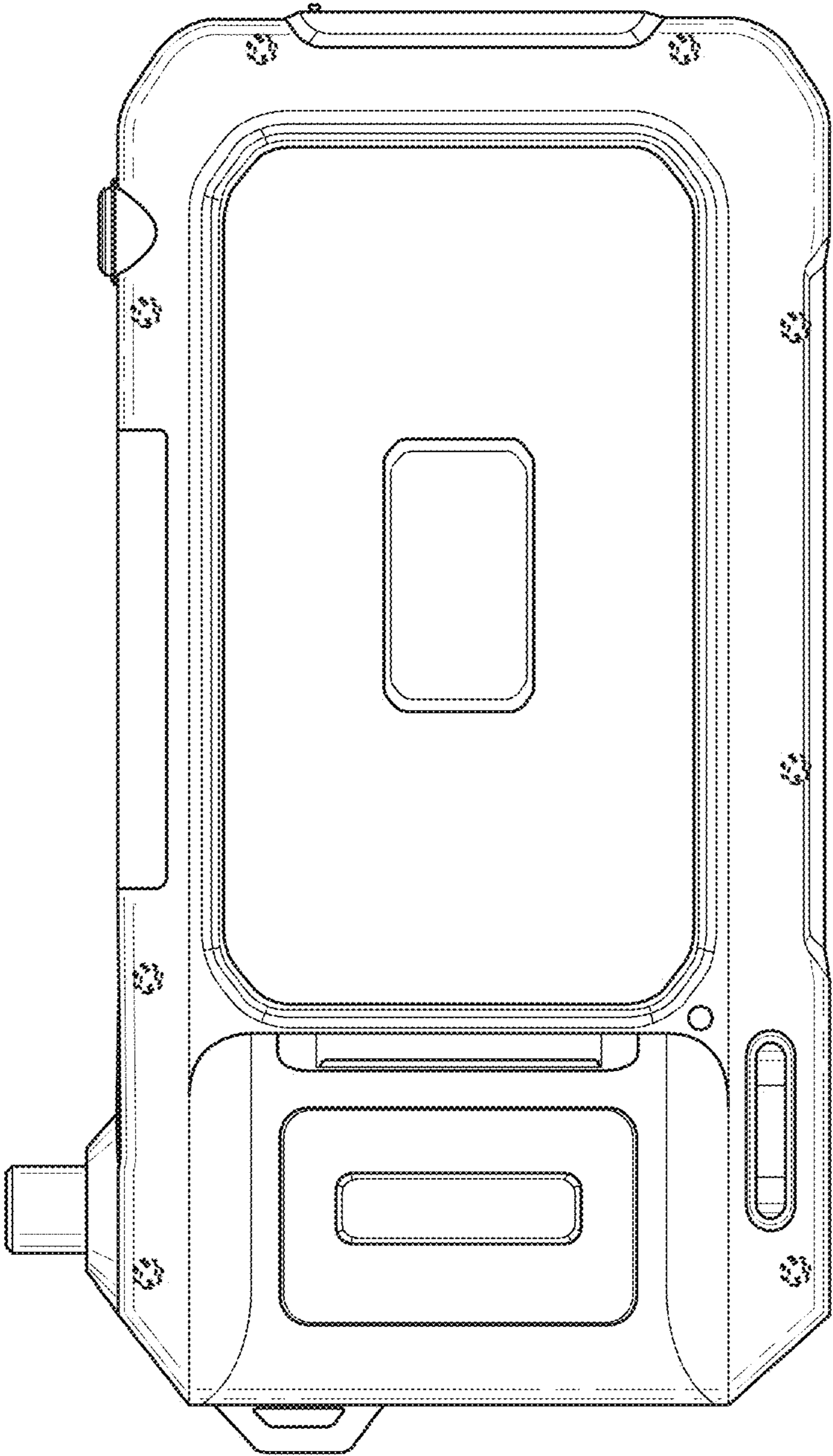


FIG. 3

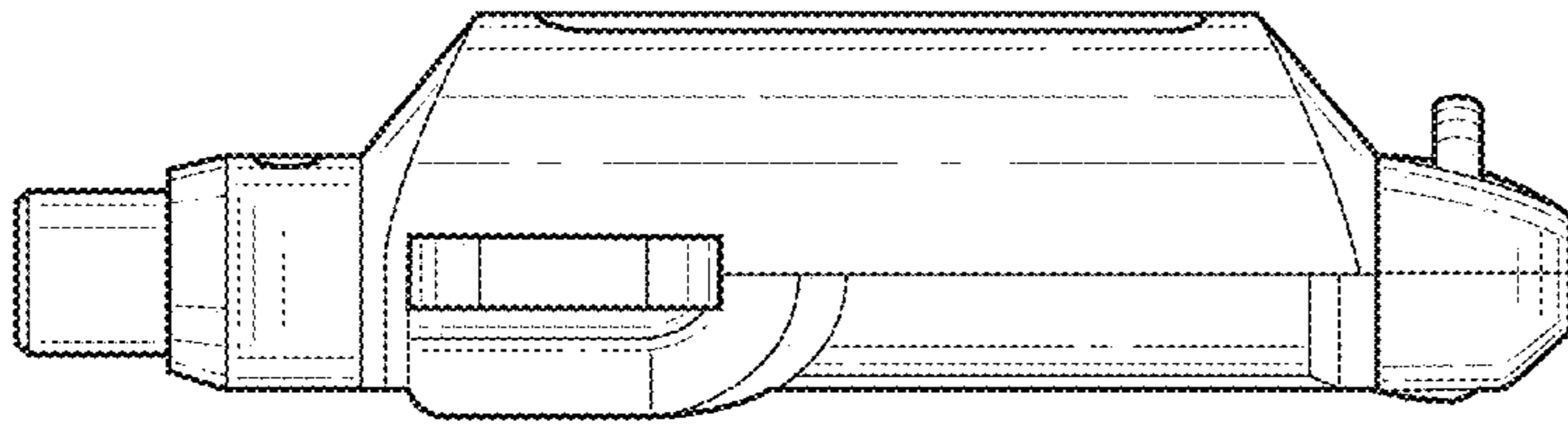


FIG. 5

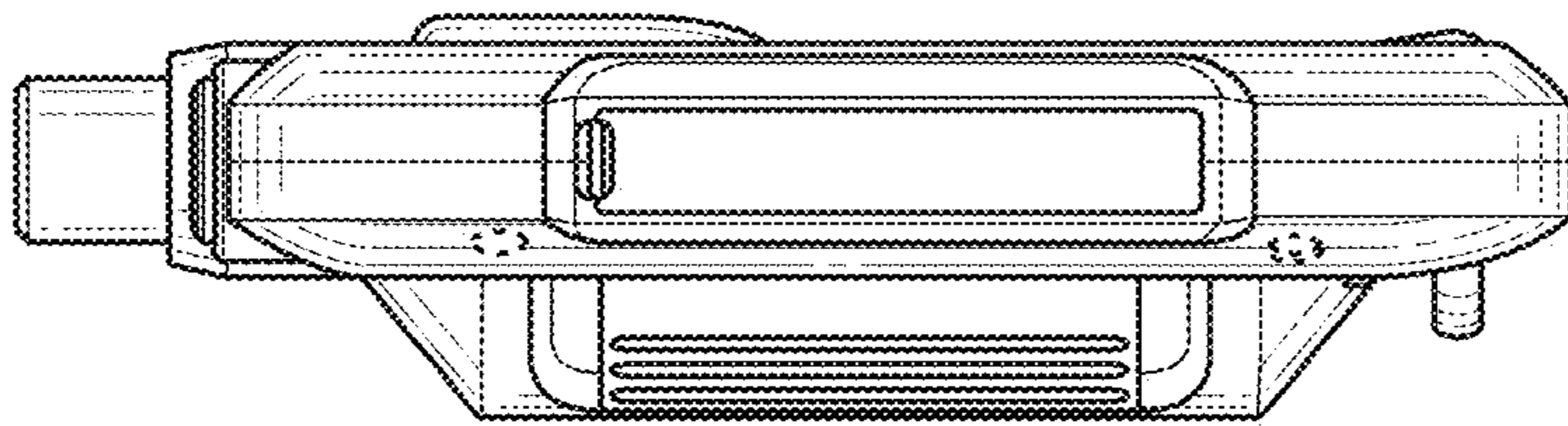


FIG. 4

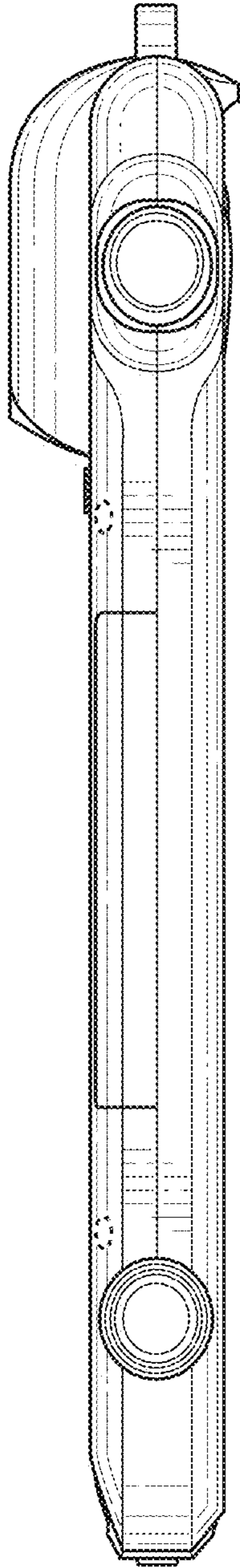


FIG. 6

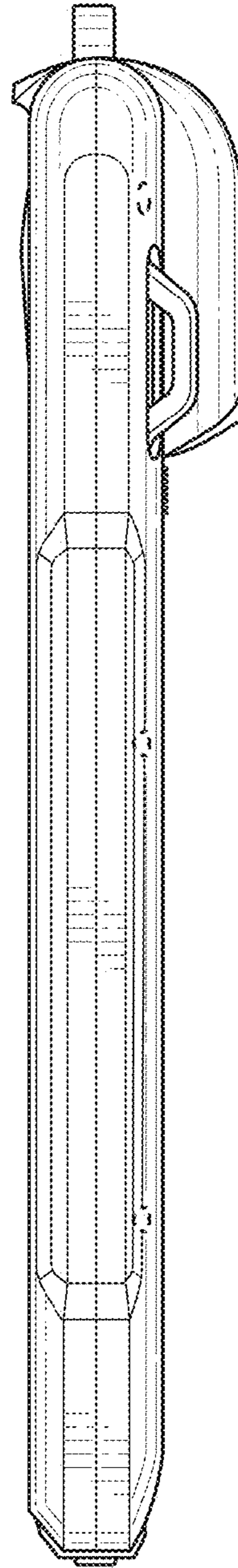


FIG. 7