



US00D989142S

(12) **United States Design Patent**
Hyun et al.

(10) **Patent No.:** **US D989,142 S**
(45) **Date of Patent:** **** Jun. 13, 2023**

- (54) **HOUSEHOLD ROBOT**
- (71) Applicant: **Samsung Electronics Co., Ltd.**,
Suwon-si (KR)
- (72) Inventors: **Sangmin Hyun**, Suwon-si (KR);
Joonsoo Kim, Suwon-si (KR)
- (73) Assignee: **SAMSUNG ELECTRONICS CO., LTD.**,
Gyeonnggi-Do (KR)
- (**) Term: **15 Years**
- (21) Appl. No.: **29/768,130**
- (22) Filed: **Jan. 27, 2021**
- (30) **Foreign Application Priority Data**
Oct. 29, 2020 (KR) 30-2020-0051798
- (51) **LOC (14) Cl.** **15-99**
- (52) **U.S. Cl.**
USPC **D15/199**
- (58) **Field of Classification Search**
USPC D15/199; D21/578-583, 621, 622;
D32/21; D34/34
CPC B25J 5/007; B25J 11/00; B25J 11/008;
B62D 57/024; G06N 3/008; Y10S 901/01
See application file for complete search history.

- D810,166 S * 2/2018 Lee D21/578
- D817,374 S * 5/2018 Liu D15/199
- D824,460 S * 7/2018 Wang D15/199
- D832,326 S * 10/2018 Lee D21/578
- D838,758 S * 1/2019 Kymm D21/578
- D840,618 S * 2/2019 Kim A47J 37/0713
D15/199

(Continued)

Primary Examiner — Patricia A Palasik
(74) *Attorney, Agent, or Firm* — Cantor Colburn LLP

(57) **CLAIM**

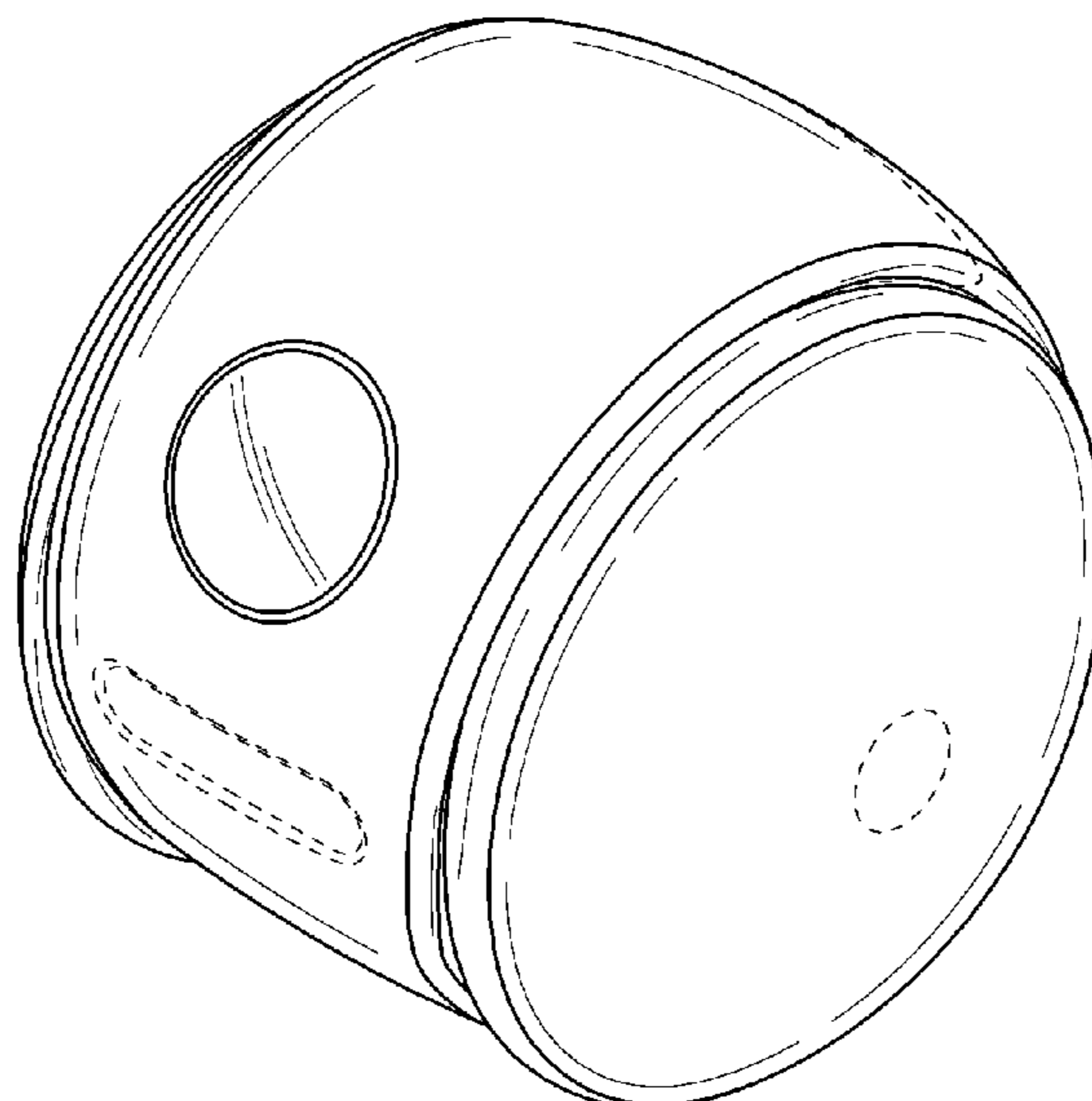
The ornamental design for a household robot, as shown and described.

DESCRIPTION

FIG. 1 is a front perspective view of a household robot, showing our new design in a first state;
 FIG. 2 is a front view thereof;
 FIG. 3 is a rear view thereof;
 FIG. 4 is a left-side view thereof;
 FIG. 5 is a right-side view thereof;
 FIG. 6 is a top view thereof;
 FIG. 7 is a bottom view thereof;
 FIG. 8 is a rear perspective view thereof;
 FIG. 9 is a front perspective view of the household robot, showing our new design in a second state;
 FIG. 10 is a front view thereof;
 FIG. 11 is a rear view thereof;
 FIG. 12 is a left-side view thereof;
 FIG. 13 is a right-side view thereof;
 FIG. 14 is a top view thereof;
 FIG. 15 is a bottom view thereof; and,
 FIG. 16 is a rear perspective view thereof.
 The broken lines illustrating portions of the household robot that form no part of the claimed design.
 The center portion of the household robot can be moved upward and downward as shown in FIGS. 1-8 and FIGS. 9-16.

1 Claim, 10 Drawing Sheets

- (56) **References Cited**
U.S. PATENT DOCUMENTS
D465,733 S * 11/2002 Hill D9/519
D547,430 S * 7/2007 Low D21/713
D555,305 S * 11/2007 Chun D32/21
D567,673 S * 4/2008 Chu D10/22
D612,245 S * 3/2010 Canamasas Puigbo D9/519
D731,180 S * 6/2015 Neuhaus D3/273
D758,557 S * 6/2016 Jih D23/355
D761,339 S * 7/2016 White, Jr. D15/199
D777,847 S * 1/2017 Rost D21/680
D797,829 S * 9/2017 Lv D14/154



(56)

References Cited

U.S. PATENT DOCUMENTS

D843,498 S * 3/2019 Clerc D15/199
D855,094 S * 7/2019 Li D15/199
D862,550 S * 10/2019 Shu B25J 9/044
D15/199
D868,902 S * 12/2019 Zhong D21/440
D870,788 S * 12/2019 Kim A63H 11/00
D15/199
D879,853 S * 3/2020 Baba D15/199
D890,024 S * 7/2020 Schnapp D12/1
D909,496 S * 2/2021 Zou D21/578
D910,729 S * 2/2021 Chung D15/199
D911,405 S * 2/2021 Ekmekjian D12/1
D912,114 S * 3/2021 Reichert D15/199
D913,351 S * 3/2021 Ekmekjian D12/1
D928,858 S * 8/2021 Lee D15/199
D930,058 S * 9/2021 Mahe D15/199
D936,719 S * 11/2021 Mok B25J 11/009
D15/199
D958,862 S * 7/2022 Li D15/199
2016/0346917 A1 * 12/2016 Ho B25J 13/085
2018/0043838 A1 * 2/2018 Ellerman A63H 33/26
2019/0009181 A1 * 1/2019 Kroyan A63H 11/00
2019/0061161 A1 * 2/2019 Higuchi G05D 1/0891

* cited by examiner

FIG. 1

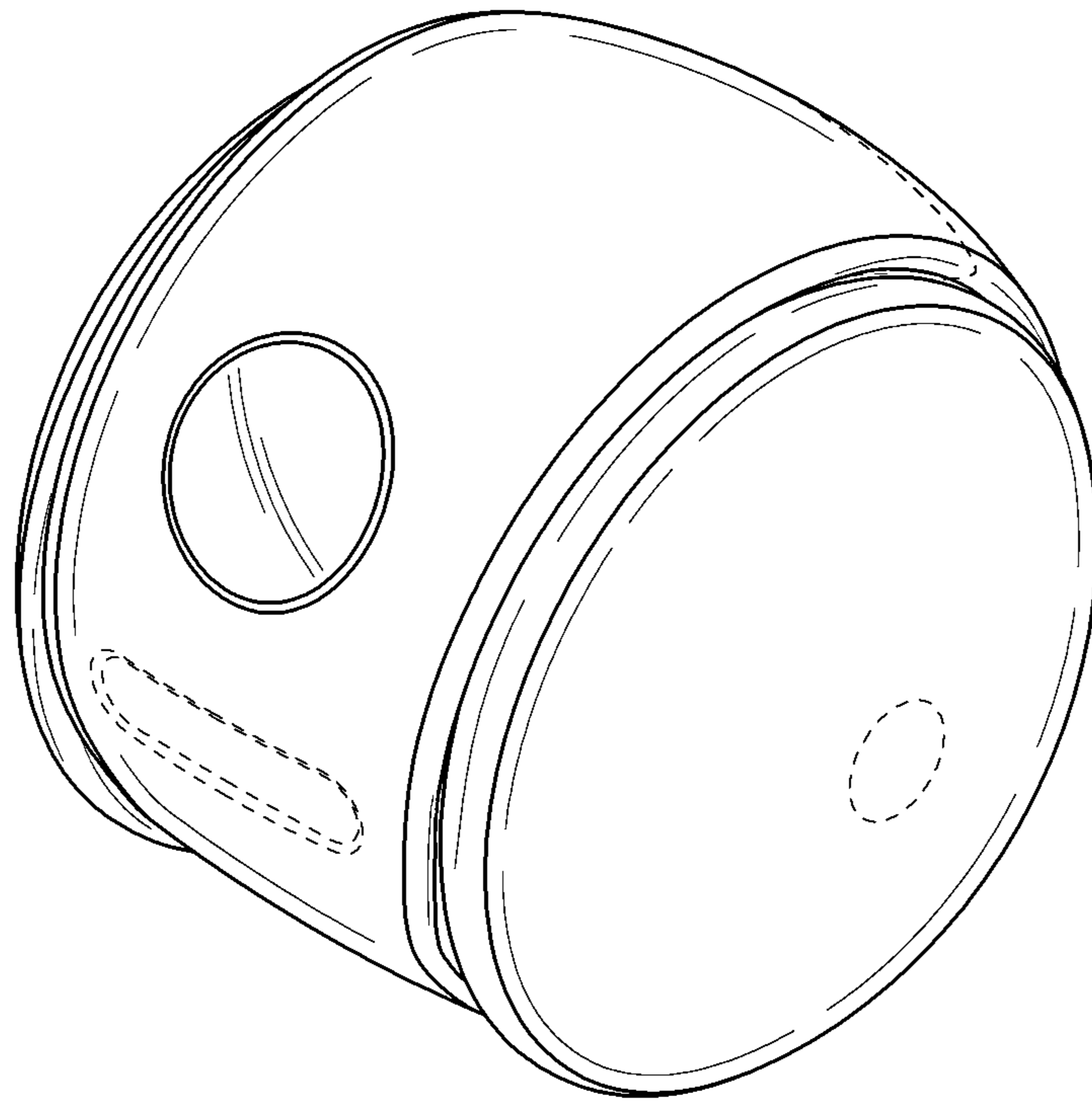


FIG.2

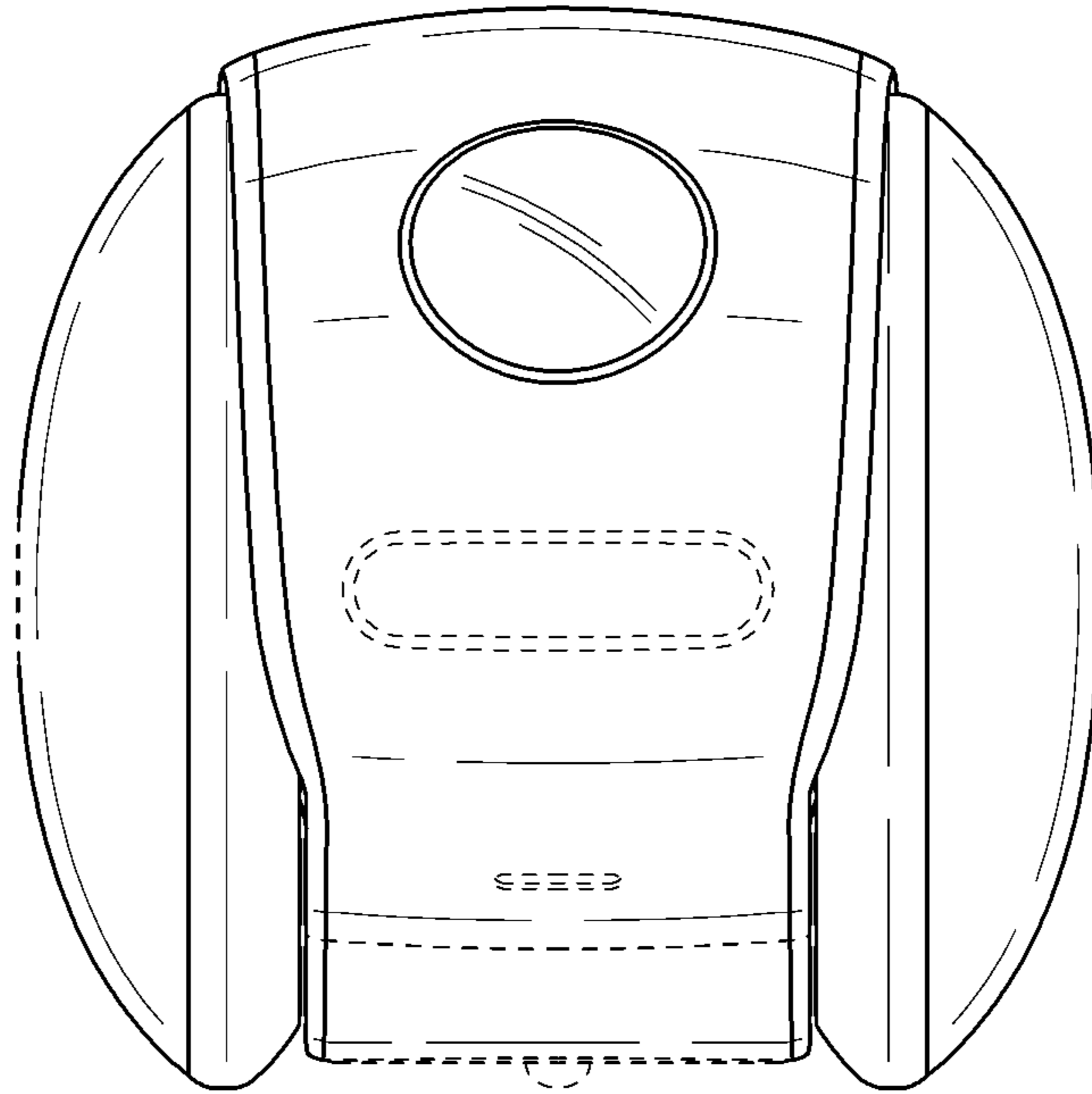


FIG.3

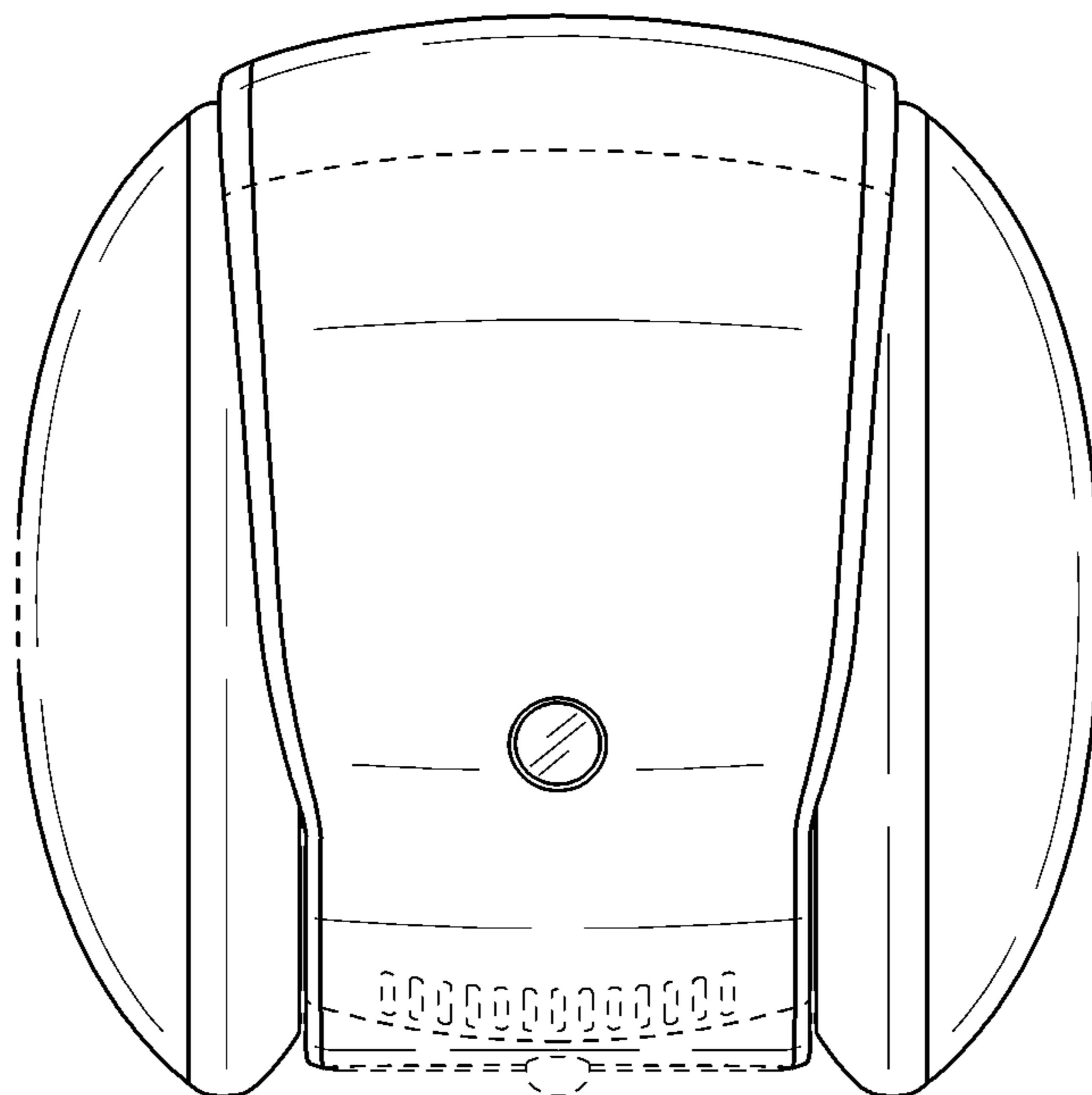


FIG.4

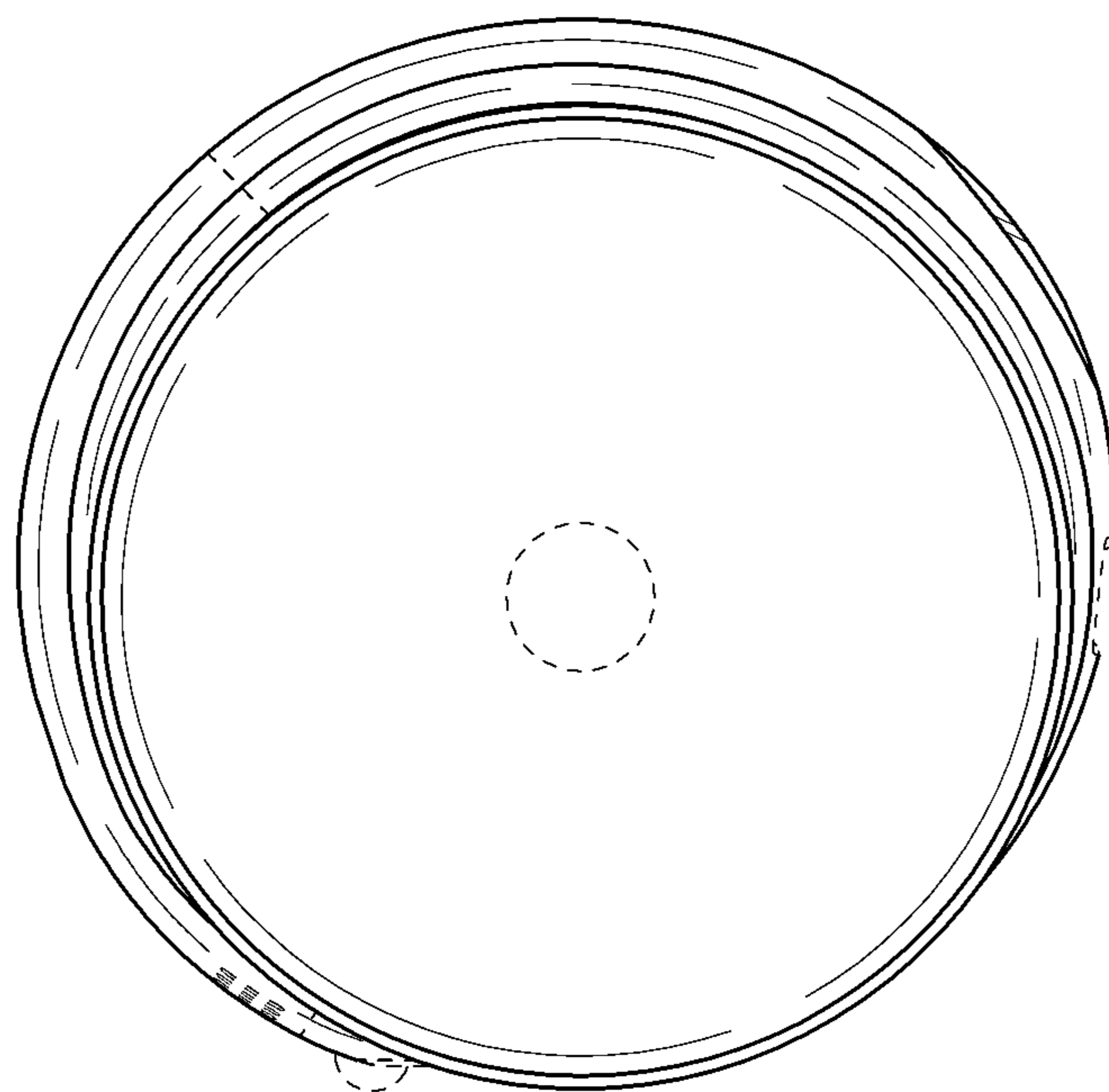


FIG.5

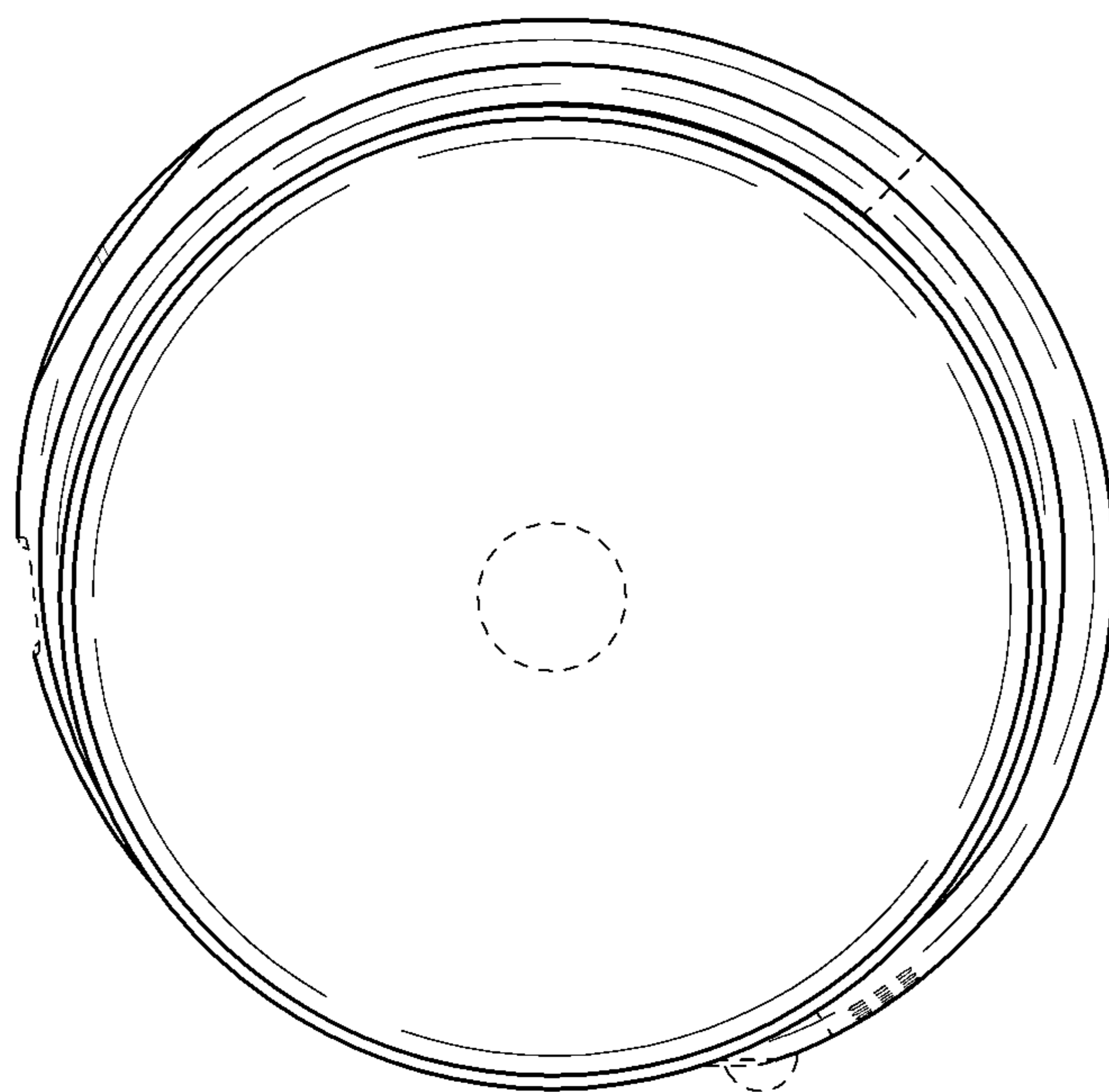


FIG.6

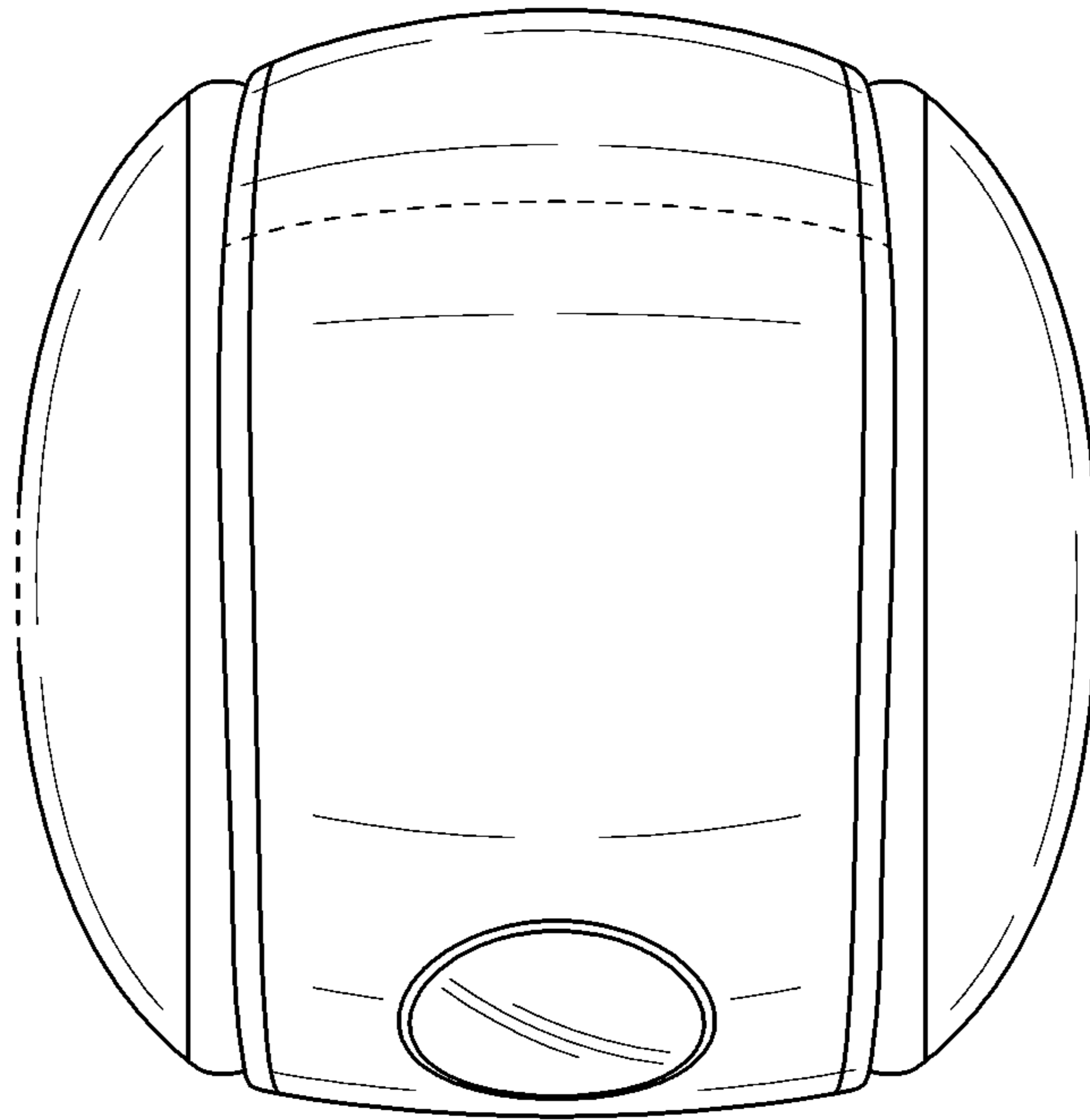


FIG.7

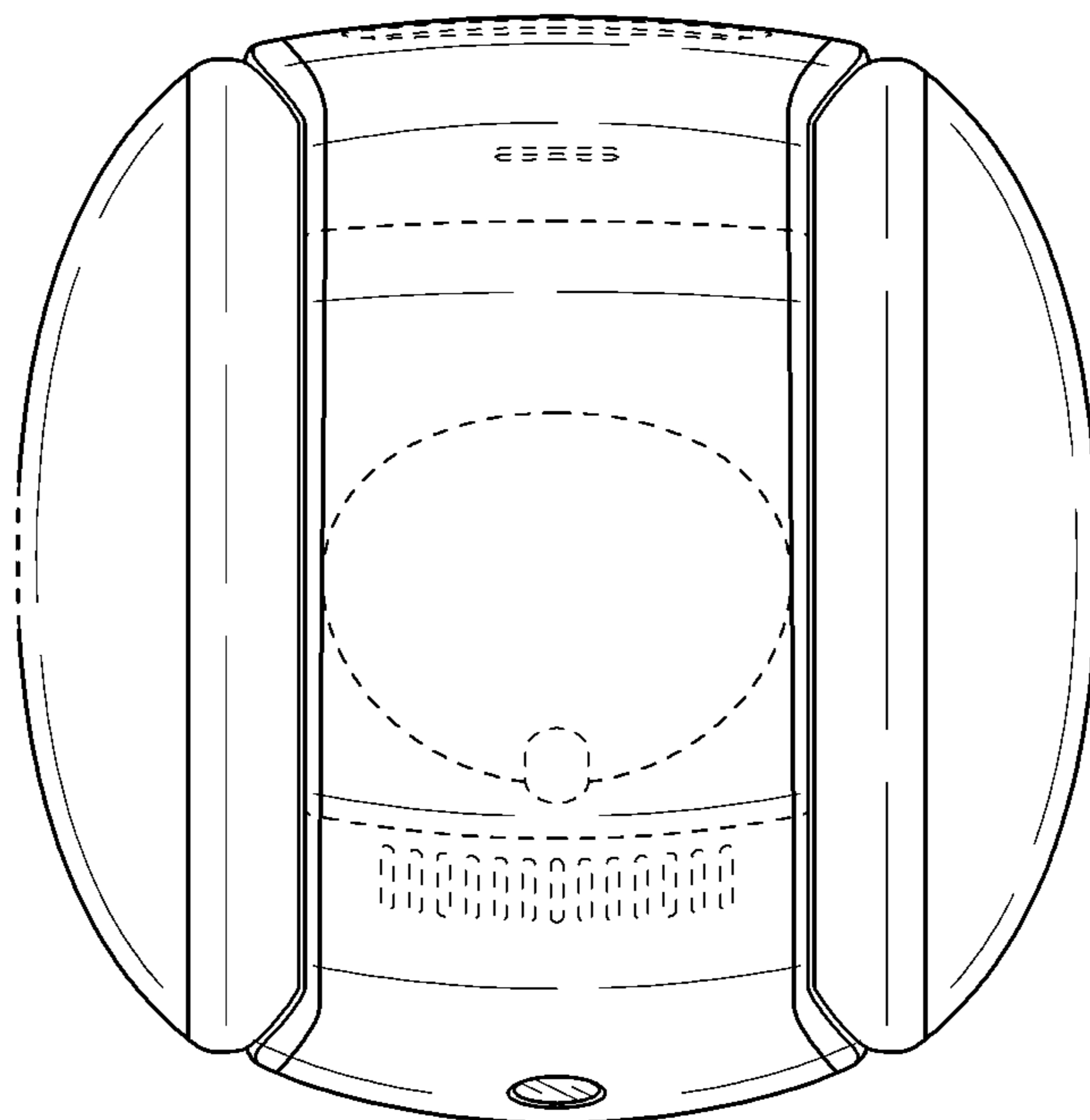


FIG.8

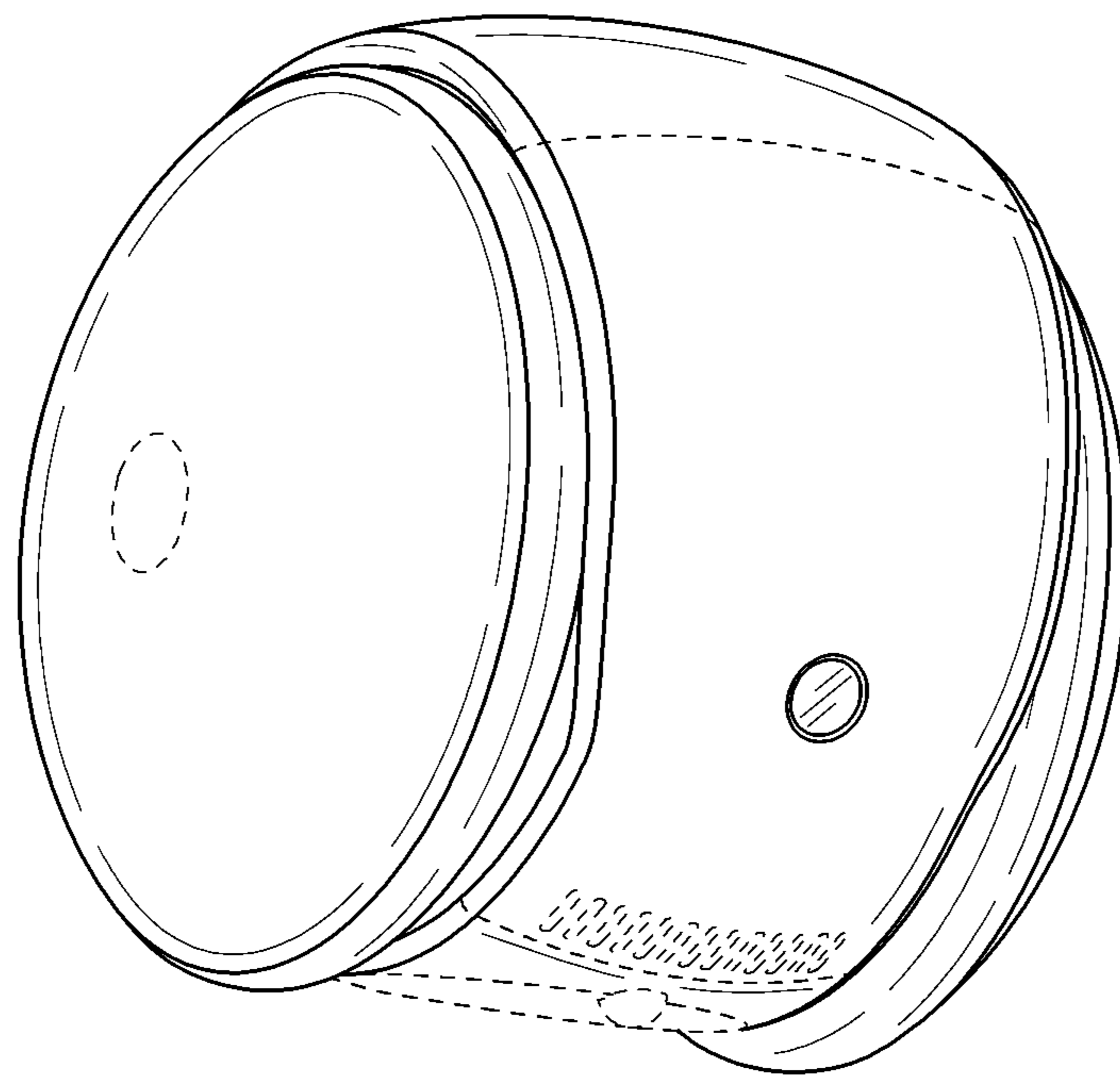


FIG.9

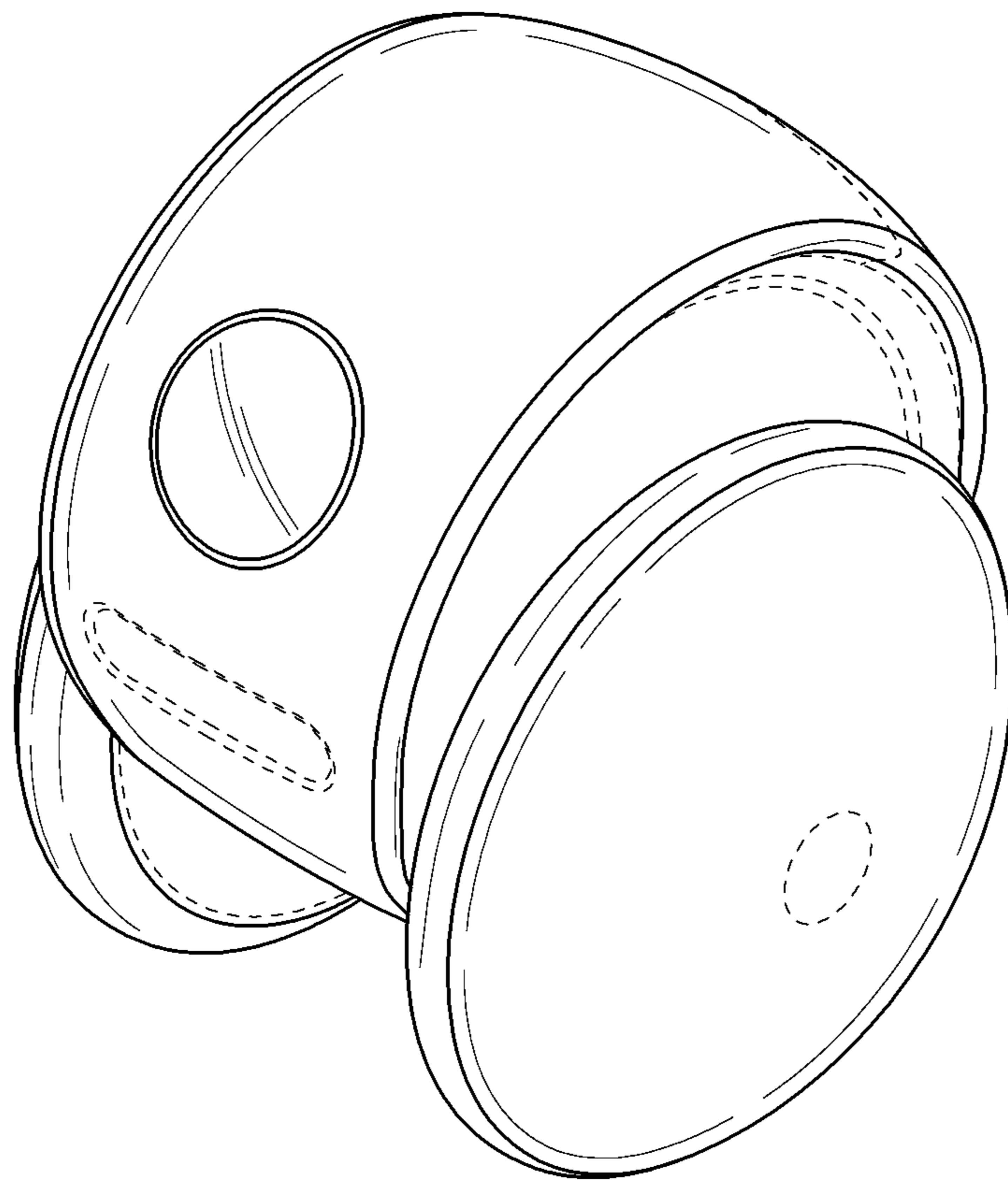


FIG.10

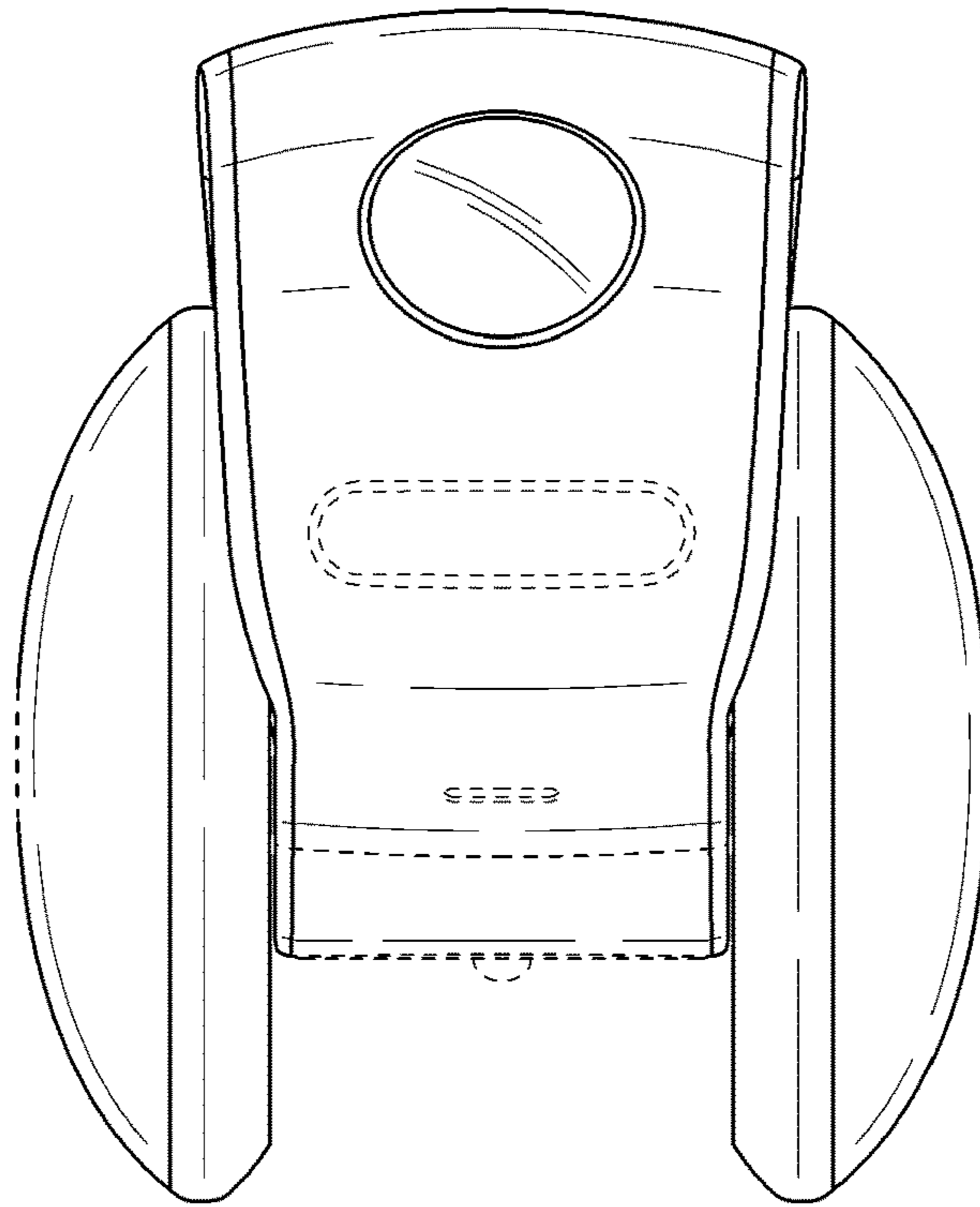


FIG.11

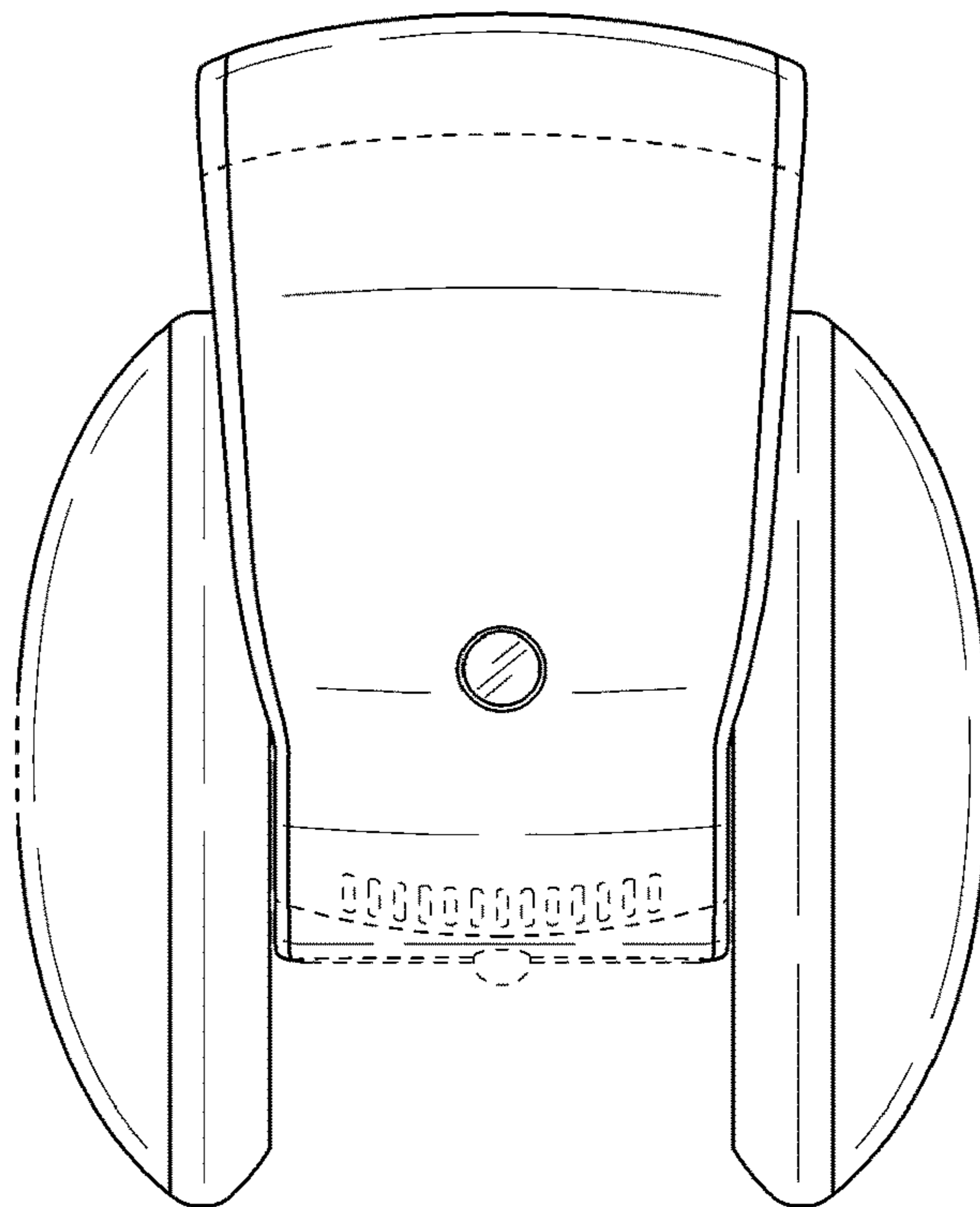


FIG.12

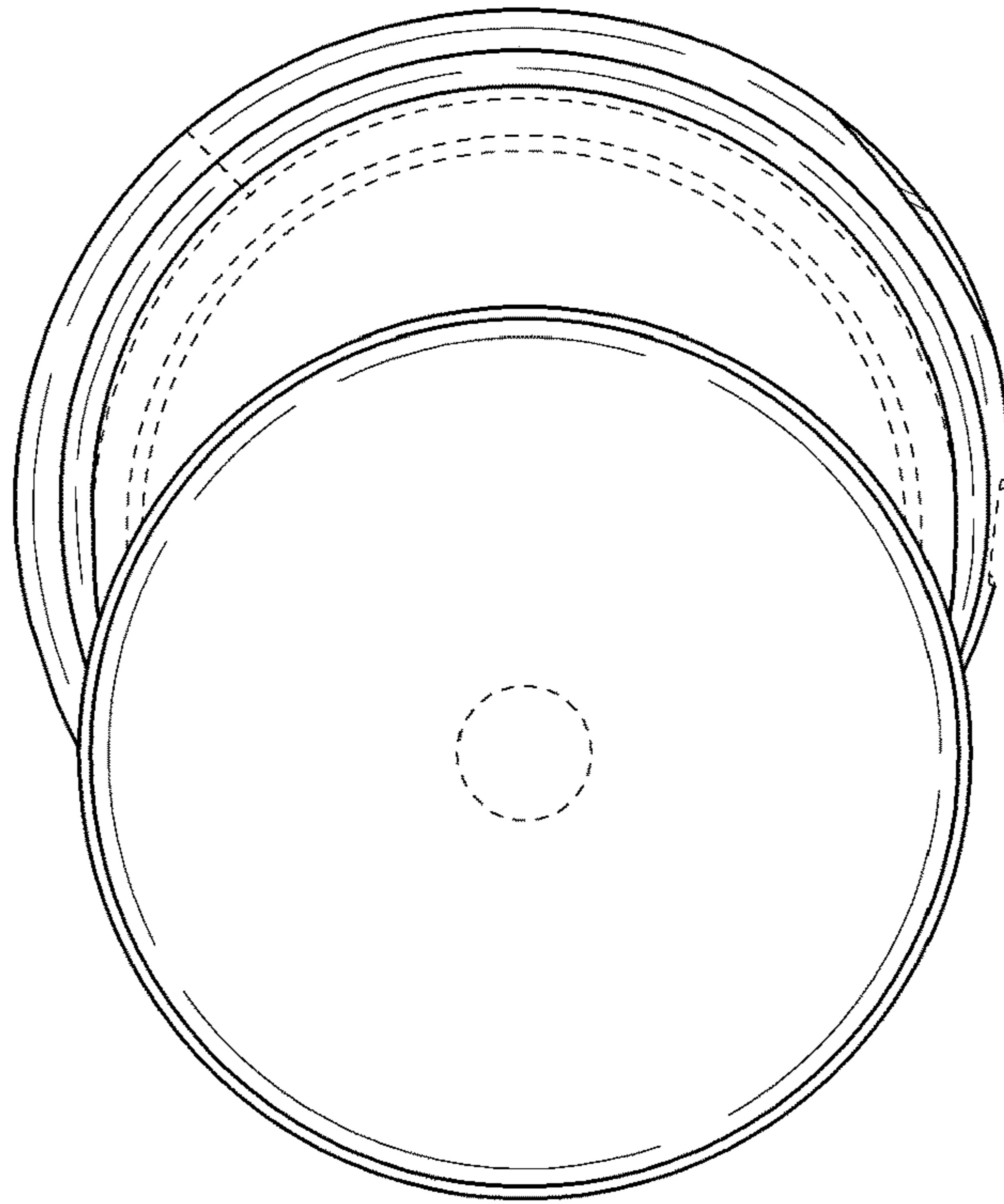


FIG.13

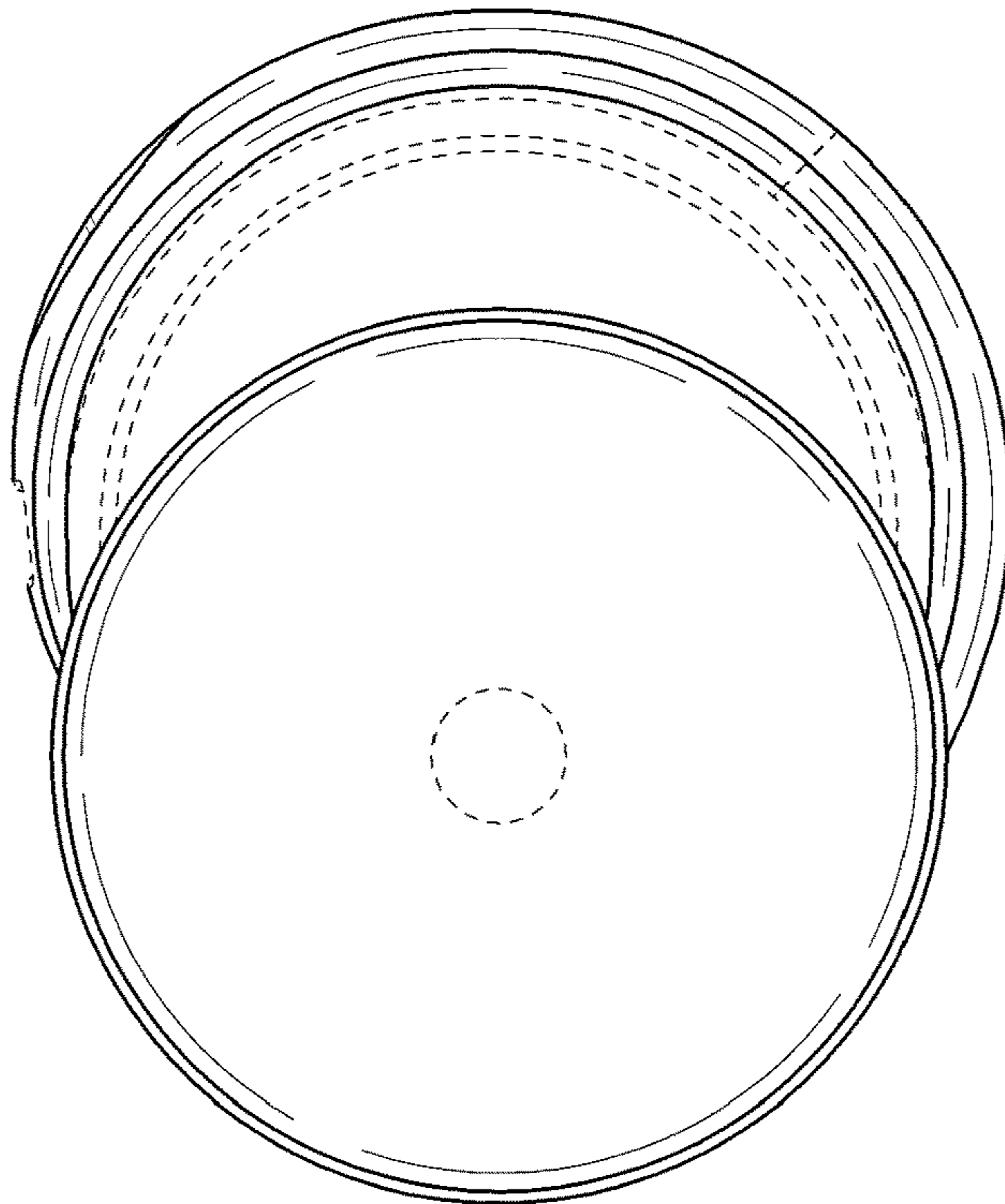


FIG.14

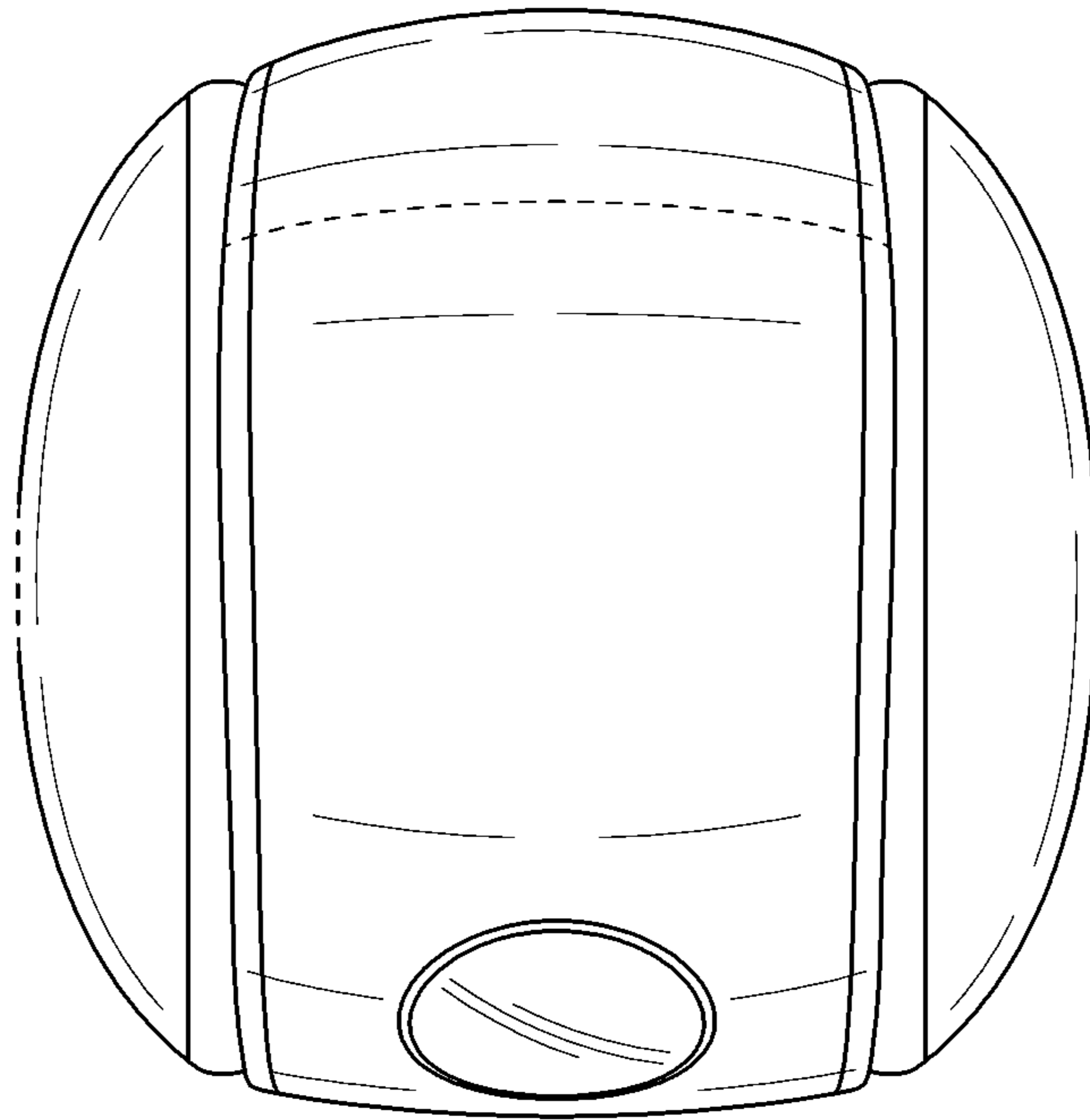


FIG.15

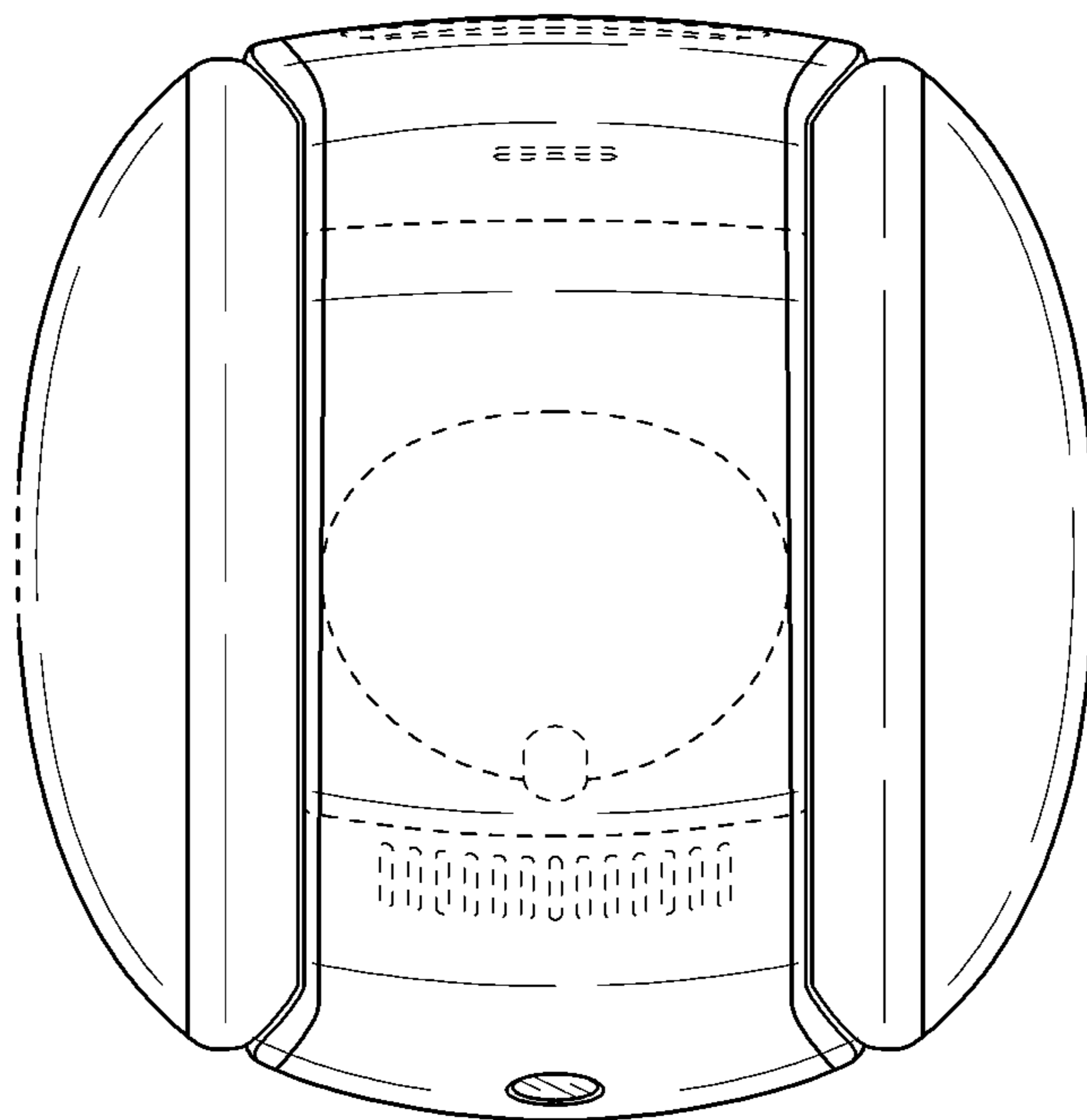


FIG.16

