



US00D989141S

(12) **United States Design Patent**
Hyun et al.

(10) **Patent No.:** **US D989,141 S**
(45) **Date of Patent:** **** Jun. 13, 2023**

(54) **HOUSEHOLD ROBOT**
(71) Applicant: **Samsung Electronics Co., Ltd.**,
Suwon-si (KR)
(72) Inventors: **Sangmin Hyun**, Suwon-si (KR);
Joonsoo Kim, Suwon-si (KR)
(73) Assignee: **SAMSUNG ELECTRONICS CO.,**
LTD., Gyeonggi-Do (KR)
(**) Term: **15 Years**
(21) Appl. No.: **29/768,118**

D797,829 S * 9/2017 Lv D14/154
D810,166 S * 2/2018 Lee D21/578
D817,374 S * 5/2018 Liu D15/199
D824,460 S * 7/2018 Wang D15/199
D832,326 S * 10/2018 Lee D21/578
D838,758 S * 1/2019 Kymm D21/578
D840,618 S * 2/2019 Kim A47J 37/0713
D15/199
D843,498 S * 3/2019 Clerc D15/199
D855,094 S * 7/2019 Li D15/199
D862,550 S * 10/2019 Shu B25J 9/044
D15/199
D868,902 S * 12/2019 Zhong D21/440
D870,788 S * 12/2019 Kim A63H 11/00
D15/199
D879,853 S * 3/2020 Baba D15/199

(Continued)

(22) Filed: **Jan. 27, 2021**
(30) **Foreign Application Priority Data**

Primary Examiner — Patricia A Palasik
(74) *Attorney, Agent, or Firm* — Cantor Colburn LLP

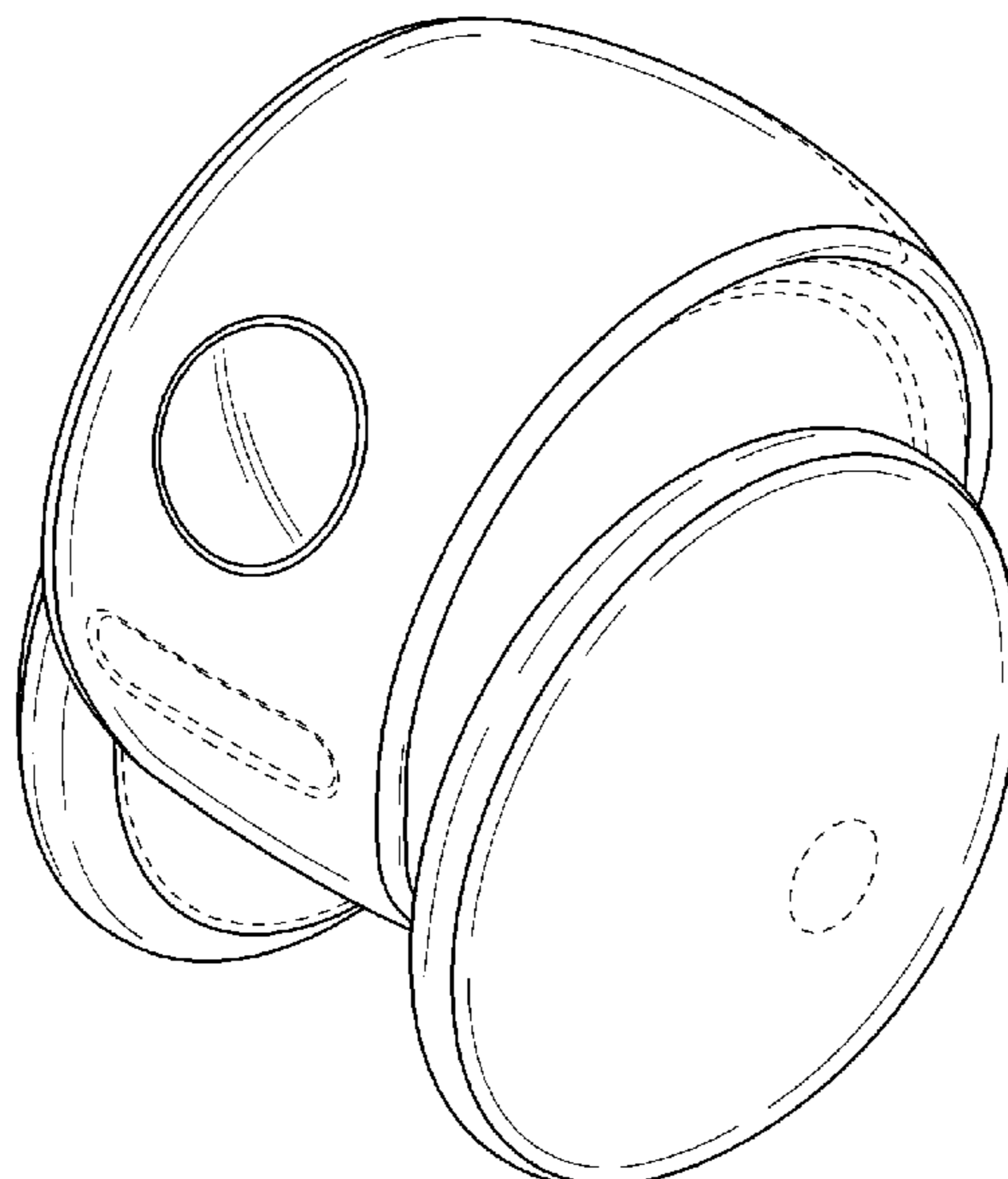
Oct. 29, 2020 (KR) 30-2020-0051797
(51) **LOC (14) Cl.** **15-99**
(52) **U.S. Cl.**
USPC **D15/199**
(58) **Field of Classification Search**
USPC D15/199; D21/578–583, 621, 622;
D32/21; D34/34
CPC B25J 5/007; B25J 11/00; B25J 11/008;
B62D 57/024; G06N 3/008; Y10S 901/01
See application file for complete search history.

(57) **CLAIM**
The ornamental design for a household robot, as shown and described.

(56) **References Cited**
U.S. PATENT DOCUMENTS
D465,733 S * 11/2002 Hill D9/519
D547,430 S * 7/2007 Low D21/713
D555,305 S * 11/2007 Chun D32/21
D567,673 S * 4/2008 Chu D10/22
D612,245 S * 3/2010 Canamasas Puigbo D9/519
D731,180 S * 6/2015 Neuhaus D3/273
D758,557 S * 6/2016 Jih D23/355
D761,339 S * 7/2016 White, Jr. D15/199
D777,847 S * 1/2017 Rost D21/680

DESCRIPTION
FIG. 1 is a front perspective view of a household robot, showing our new design;
FIG. 2 is a front view thereof;
FIG. 3 is a rear view thereof;
FIG. 4 is a left-side view thereof;
FIG. 5 is a right-side view thereof;
FIG. 6 is a top view thereof;
FIG. 7 is a bottom view thereof;
FIG. 8 is a rear perspective view thereof;
FIG. 9 is a front view thereof in an alternate configuration;
and,
FIG. 10 is a front view thereof in another alternate configuration.
The broken lines illustrating portions of the household robot form no part of the claimed design.

1 Claim, 6 Drawing Sheets



(56)

References Cited

U.S. PATENT DOCUMENTS

D890,024 S * 7/2020 Schnapp D12/1
D909,496 S * 2/2021 Zou D21/578
D910,729 S * 2/2021 Chung D15/199
D911,405 S * 2/2021 Ekmekjian D12/1
D912,114 S * 3/2021 Reichert D15/199
D913,351 S * 3/2021 Ekmekjian D12/1
D928,858 S * 8/2021 Lee D15/199
D930,058 S * 9/2021 Mahe D15/199
D936,719 S * 11/2021 Mok B25J 11/009
D15/199
D958,862 S * 7/2022 Li D15/199
2016/0346917 A1 * 12/2016 Ho B25J 13/085
2018/0043838 A1 * 2/2018 Ellerman A63H 33/26
2019/0009181 A1 * 1/2019 Kroyan A63H 11/00
2019/0061161 A1 * 2/2019 Higuchi G05D 1/0891

* cited by examiner

FIG.1

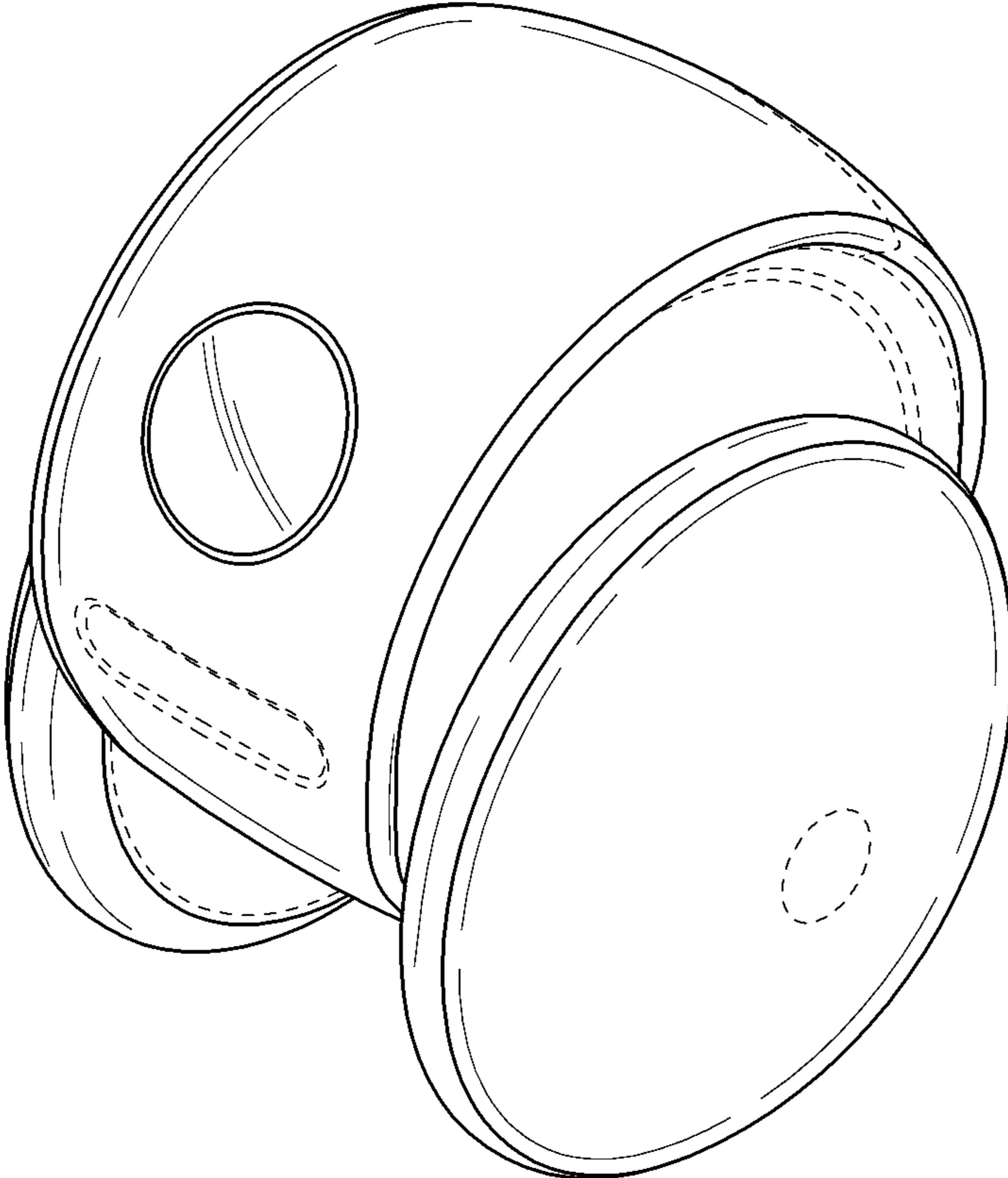


FIG.2

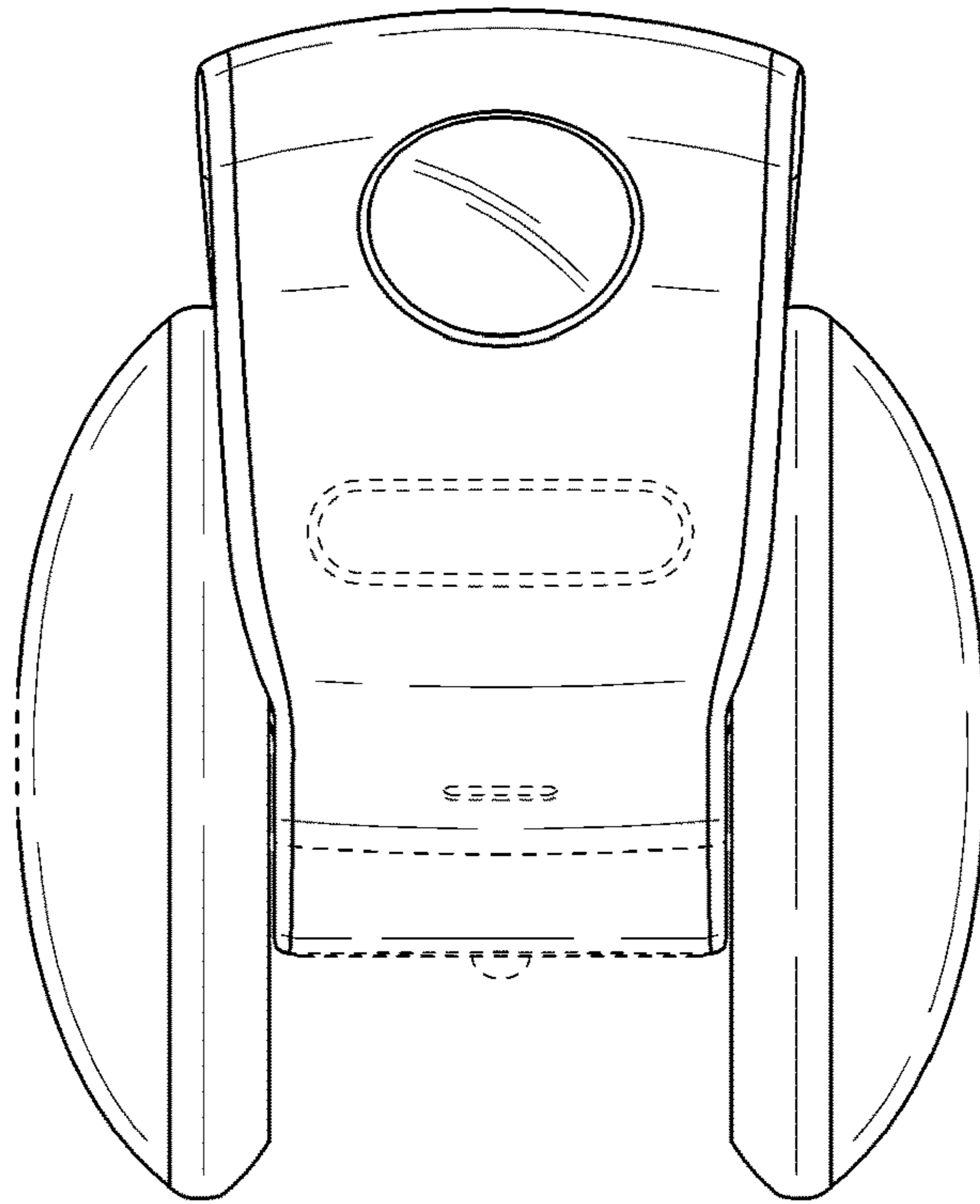


FIG.3

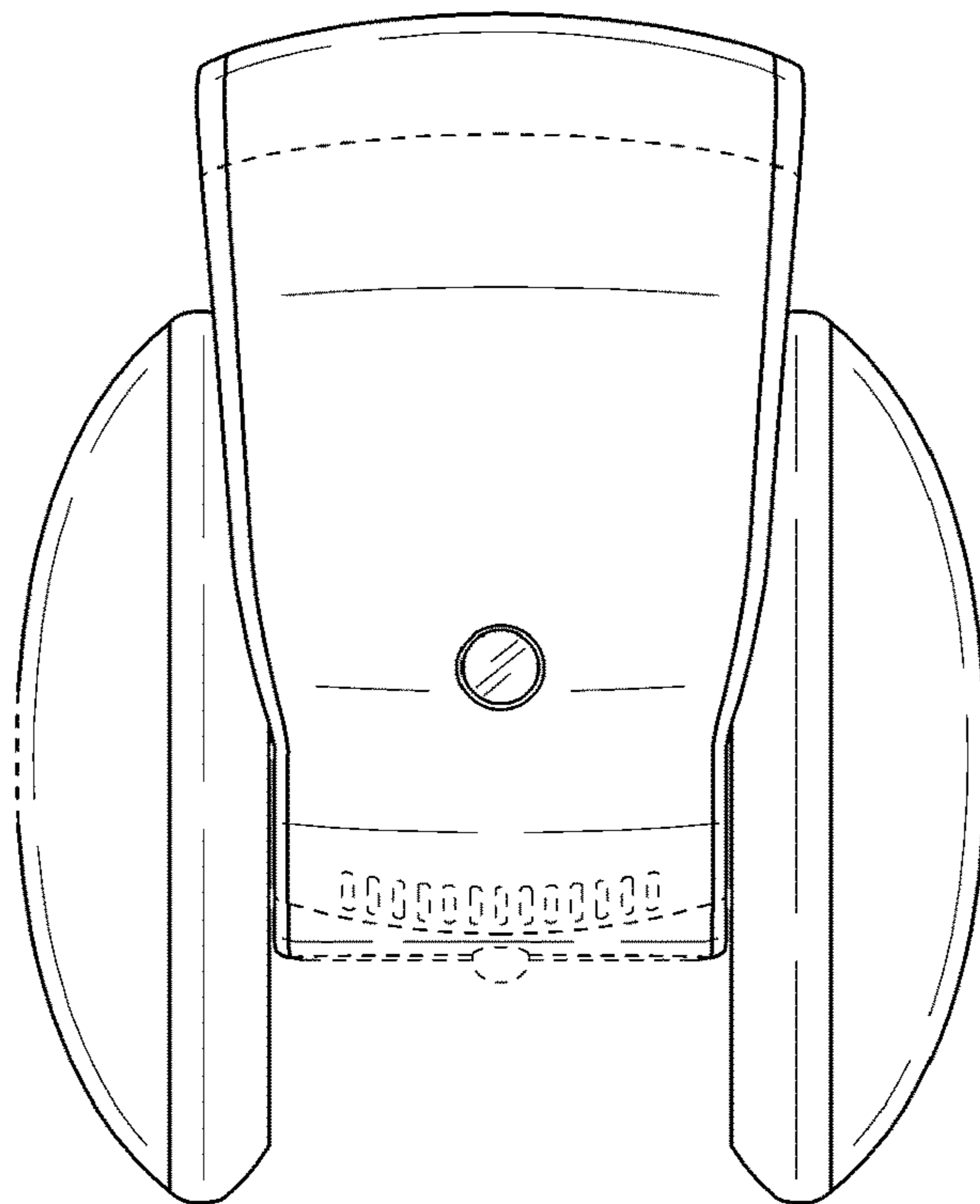


FIG.4

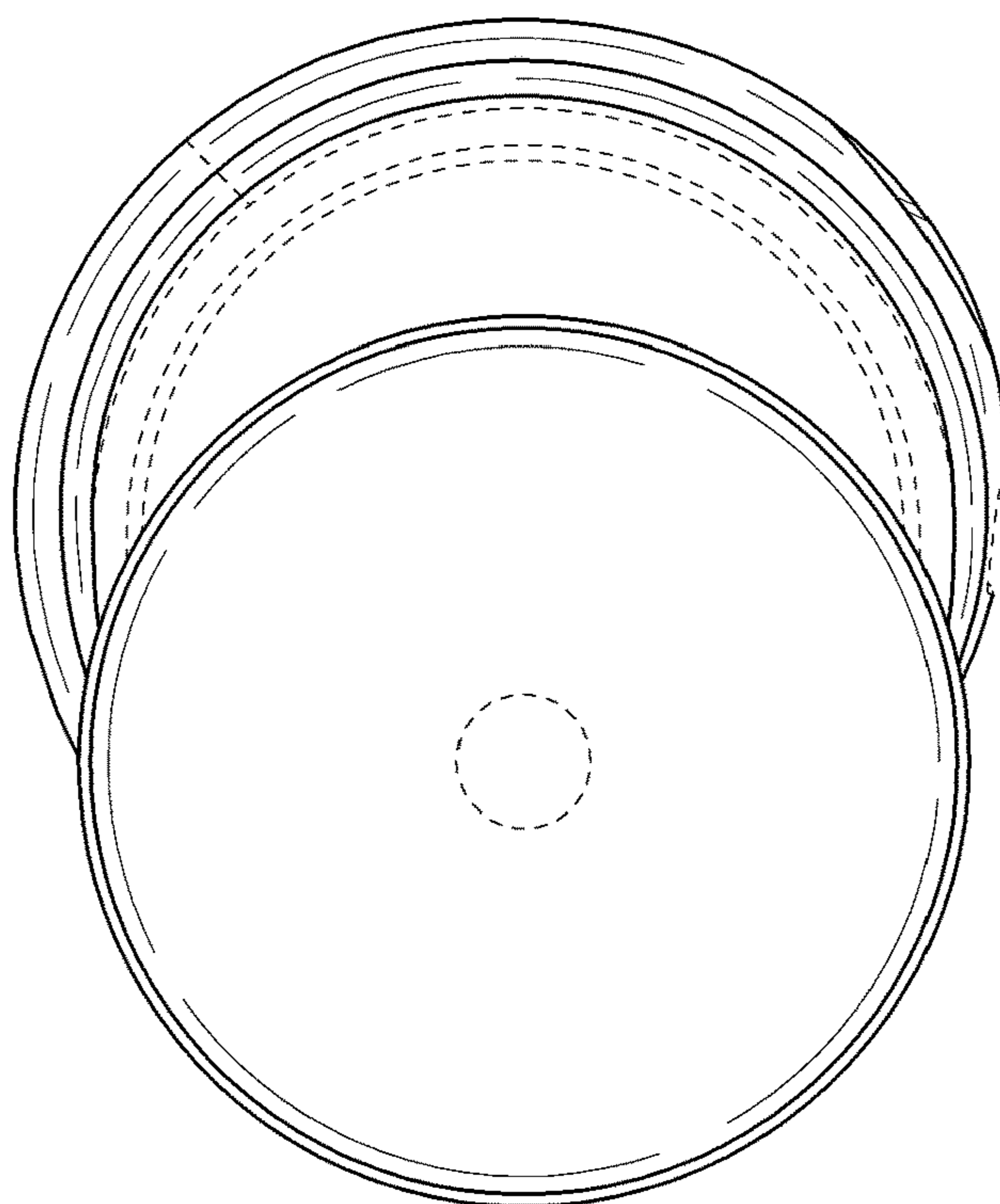


FIG.5

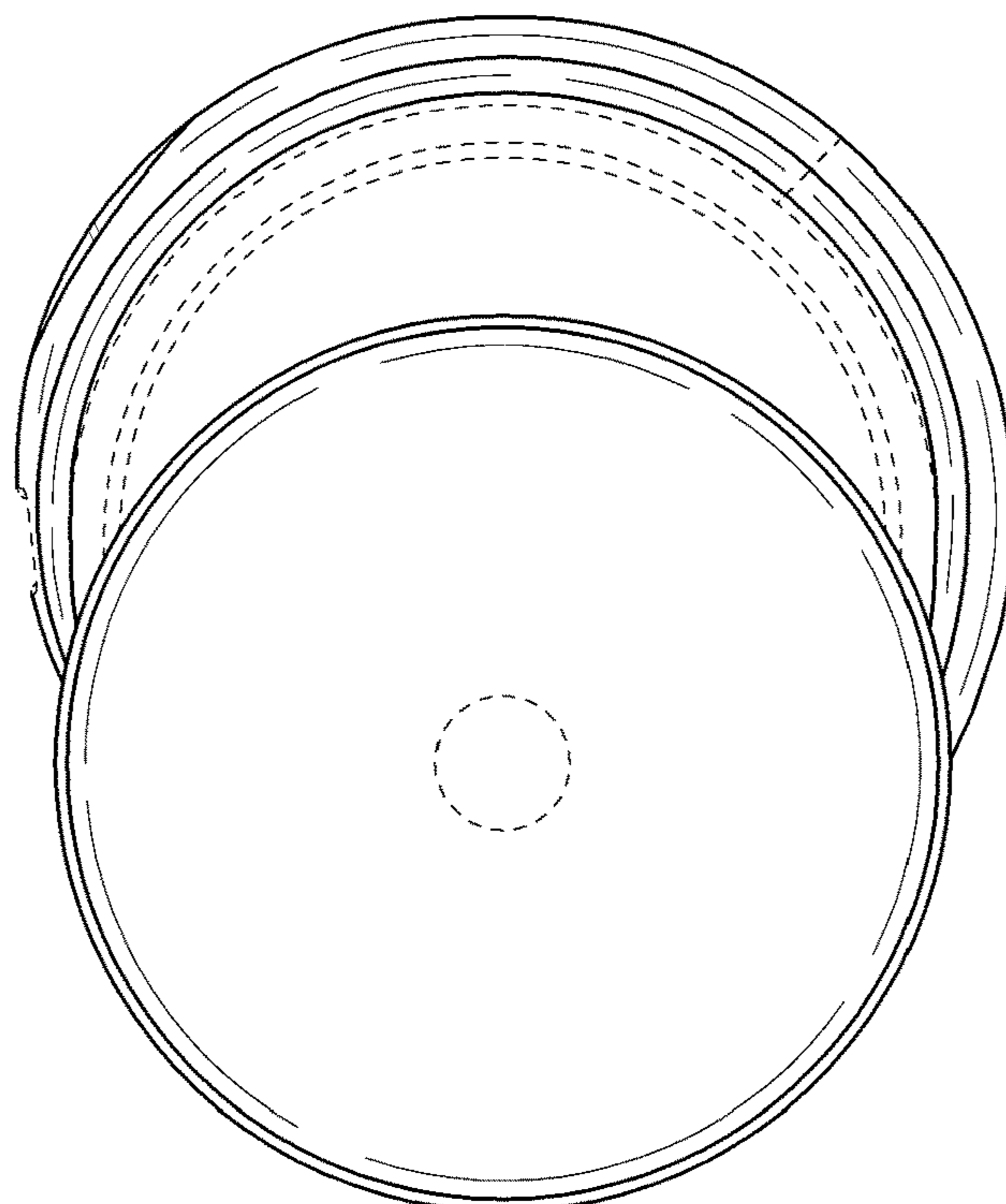


FIG.6

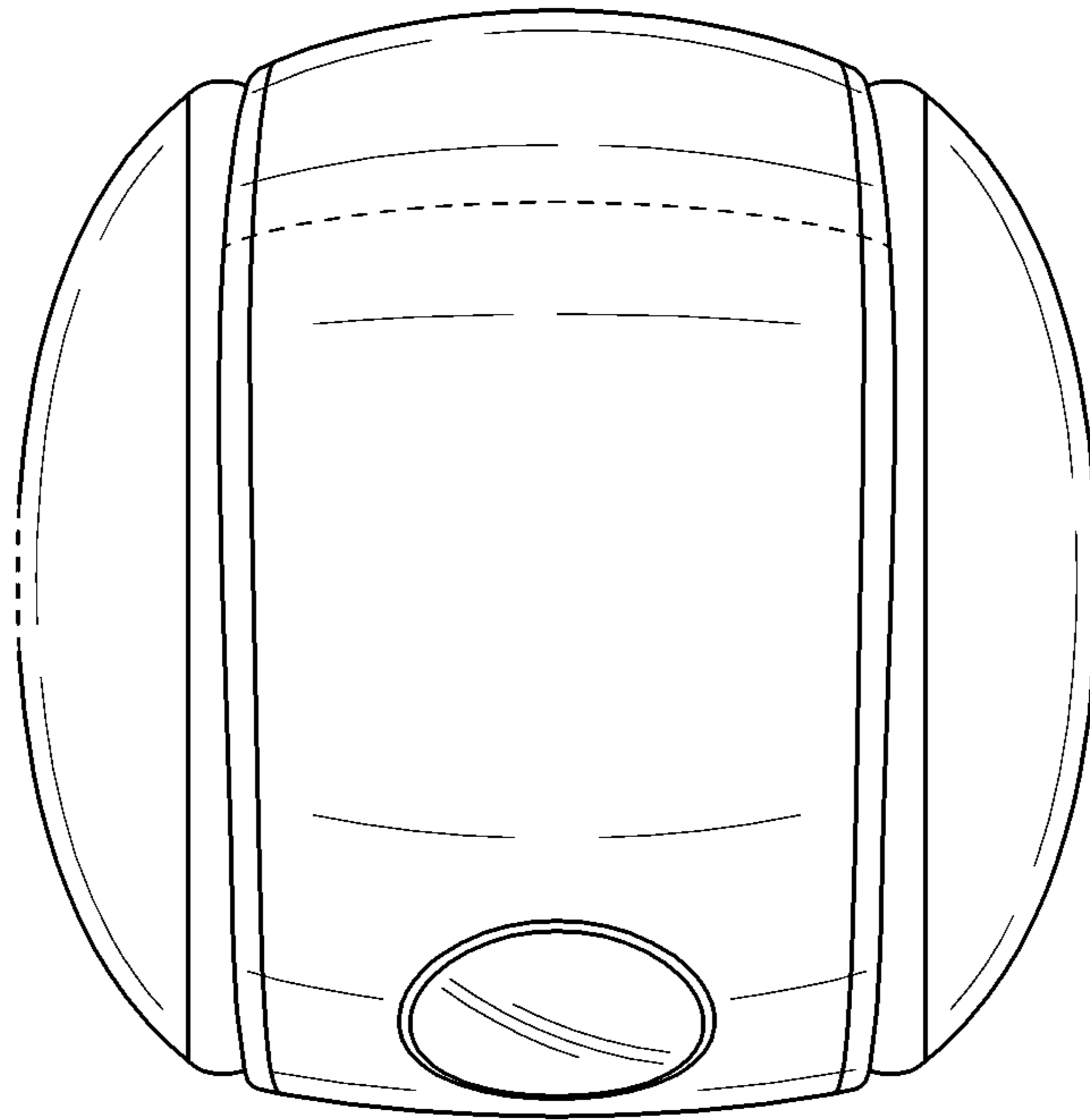


FIG.7

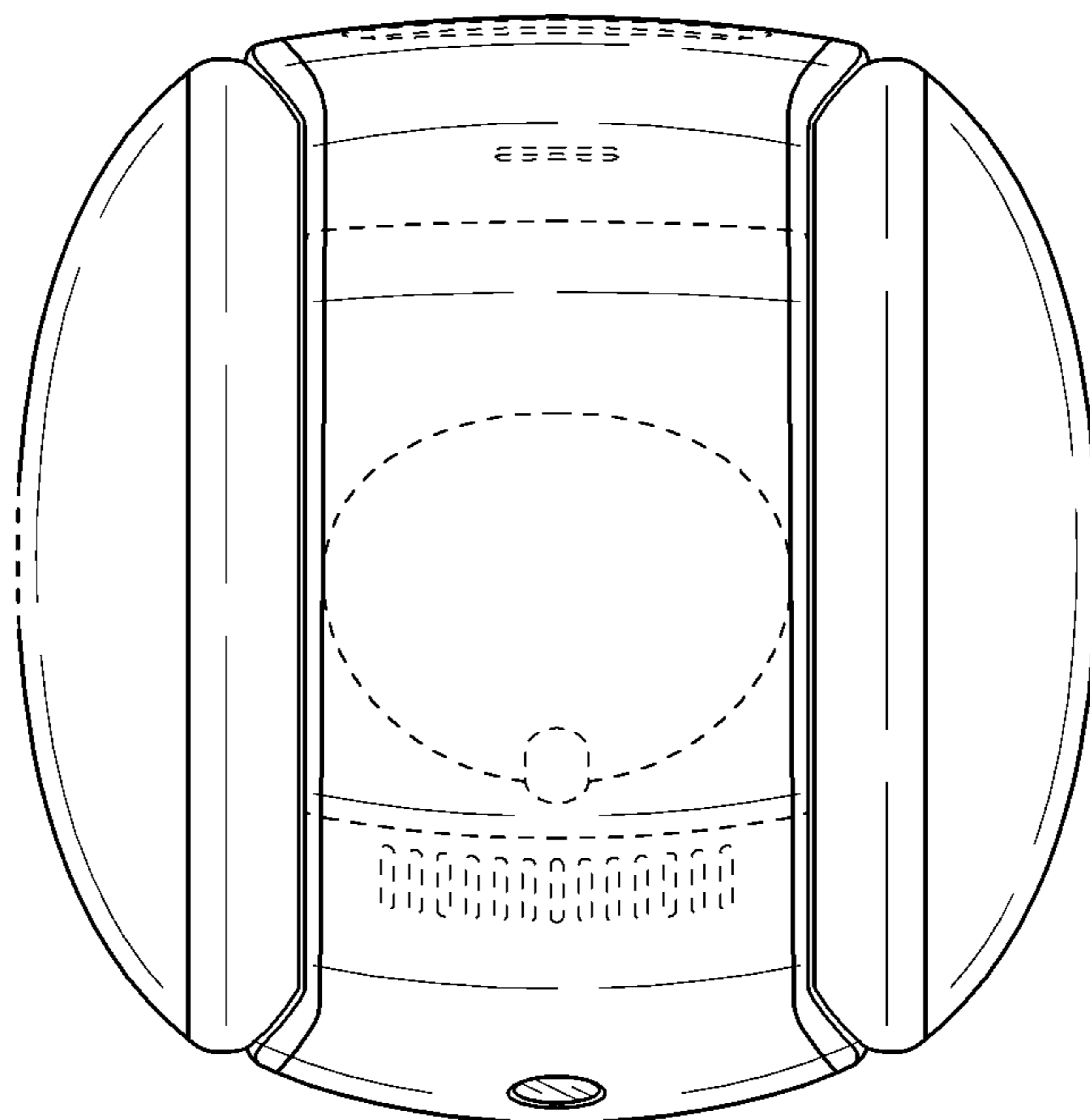


FIG.8

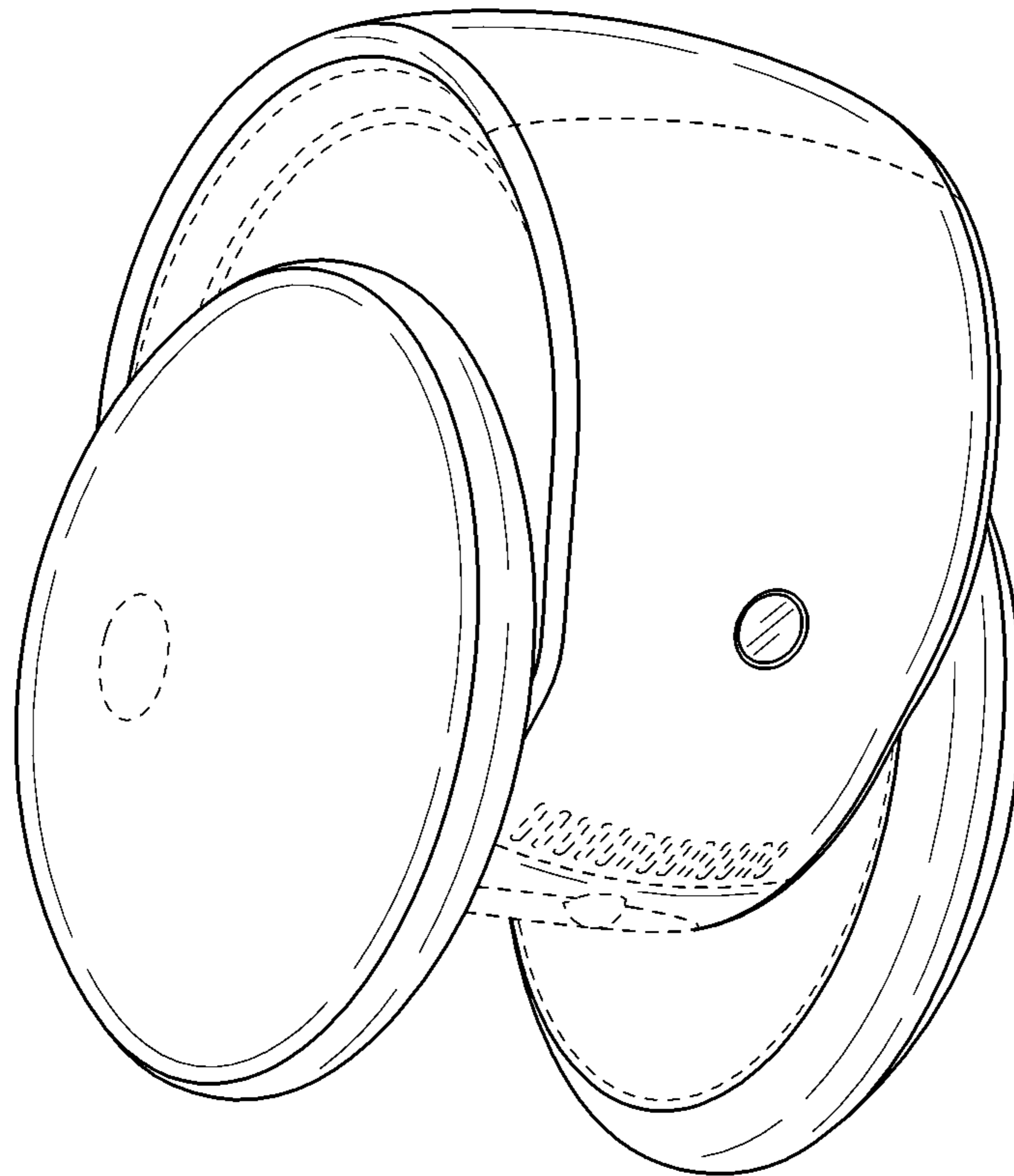


FIG.9

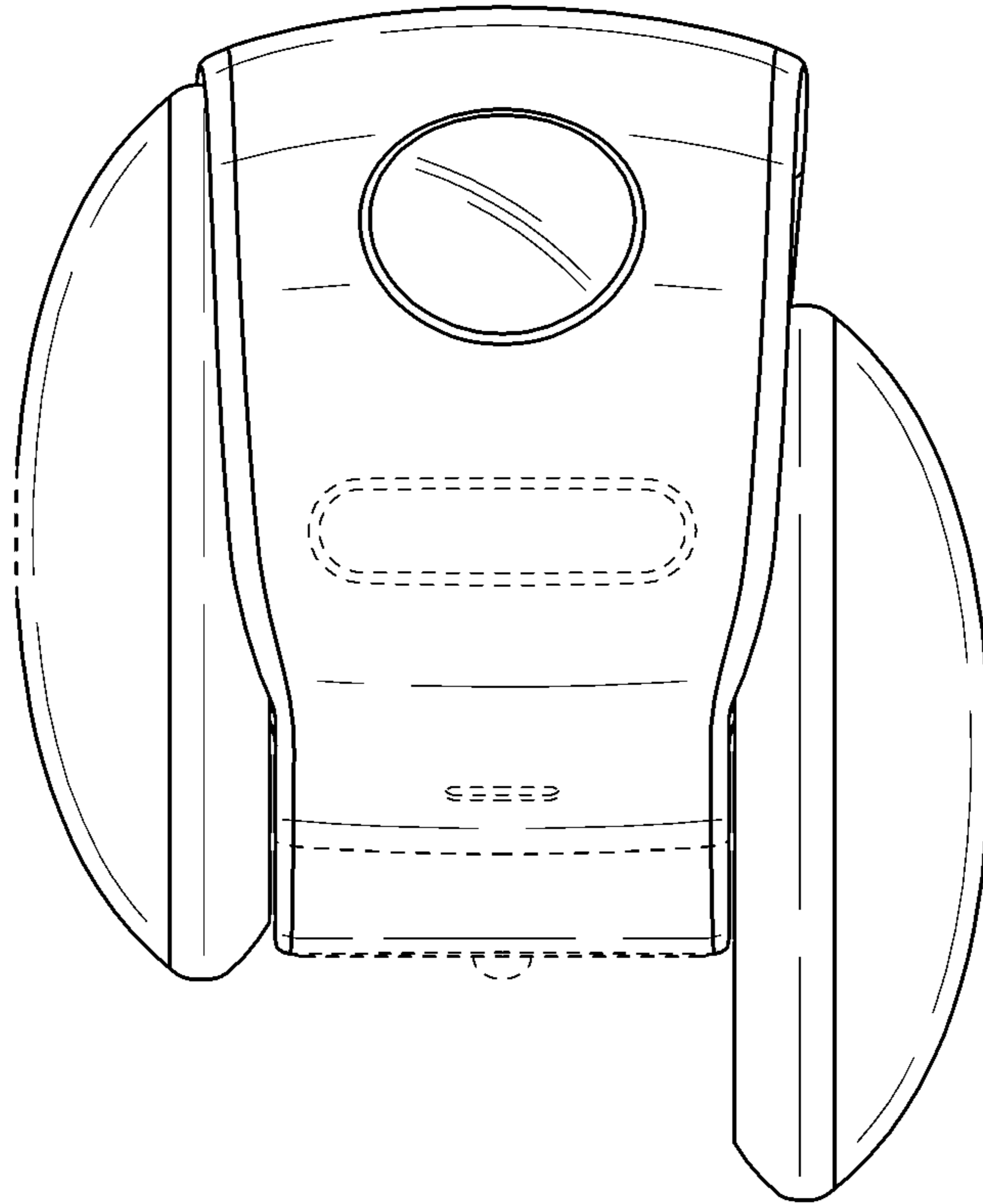


FIG.10

