



US00D989140S

(12) **United States Design Patent**
Krivoy

(10) **Patent No.:** **US D989,140 S**

(45) **Date of Patent:** **** Jun. 13, 2023**

(54) **HEAVY DUTY FULL ENERGY, ENCODER
DRIVEN NON-HANDED ELECTRIC DOOR
OPERATOR**

(71) Applicant: **Paul J. Krivoy**, Corpus Christi, TX
(US)

(72) Inventor: **Paul J. Krivoy**, Corpus Christi, TX
(US)

(**) Term: **15 Years**

(21) Appl. No.: **29/779,185**

(22) Filed: **Apr. 16, 2021**

(51) **LOC (14) Cl.** **15-09**

(52) **U.S. Cl.**
USPC **D15/148**

(58) **Field of Classification Search**
USPC D13/118, 158, 123, 164, 174, 162, 171,
D13/184; D15/1-7, 9, 143, 148, 149,
D15/199; D24/176; D12/345
CPC E05F 15/63; E05Y 2400/654; E05Y
2600/626
See application file for complete search history.

(56) **References Cited**

U.S. PATENT DOCUMENTS

2,504,408	A *	4/1950	Griffin	E05F 15/41 74/89.37
2,661,945	A *	12/1953	Hamilton	E05F 15/605 49/27
D413,055	S *	8/1999	Mullet	D8/330
D466,141	S *	11/2002	Mullet	D15/199
D500,747	S *	1/2005	Gavel	D13/184
D581,437	S *	11/2008	Randazzo	D15/148

D872,150	S *	1/2020	Abel	D13/168
2002/0008403	A1 *	1/2002	Ser	E05D 13/1253 296/100.08
2004/0189107	A1 *	9/2004	Mattson	H02K 7/1166 310/83
2007/0256362	A1 *	11/2007	Hansen	E05F 15/75 49/32
2012/0291354	A1 *	11/2012	Giannis	E05F 15/63 49/324
2022/0112758	A1 *	4/2022	Krivoy	E05F 15/63
2022/0136311	A1 *	5/2022	Krivoy	E05F 15/63 49/341

* cited by examiner

Primary Examiner — Patricia A Palasik

(74) *Attorney, Agent, or Firm* — Miguel Villarreal, Jr.;
Gunn, Lee & Cave, P.C.

(57) **CLAIM**

The ornamental design for a heavy duty, full energy, encoder driven non-handed electric door operator, as shown and described.

DESCRIPTION

FIG. 1 is a front view of the heavy duty full energy, encoder driven non-handed electric door operator showing my new design.

FIG. 2 is a back view of FIG. 1.

FIG. 3 is a left side elevation view of FIG. 1.

FIG. 4 is a right side elevation of FIG. 1.

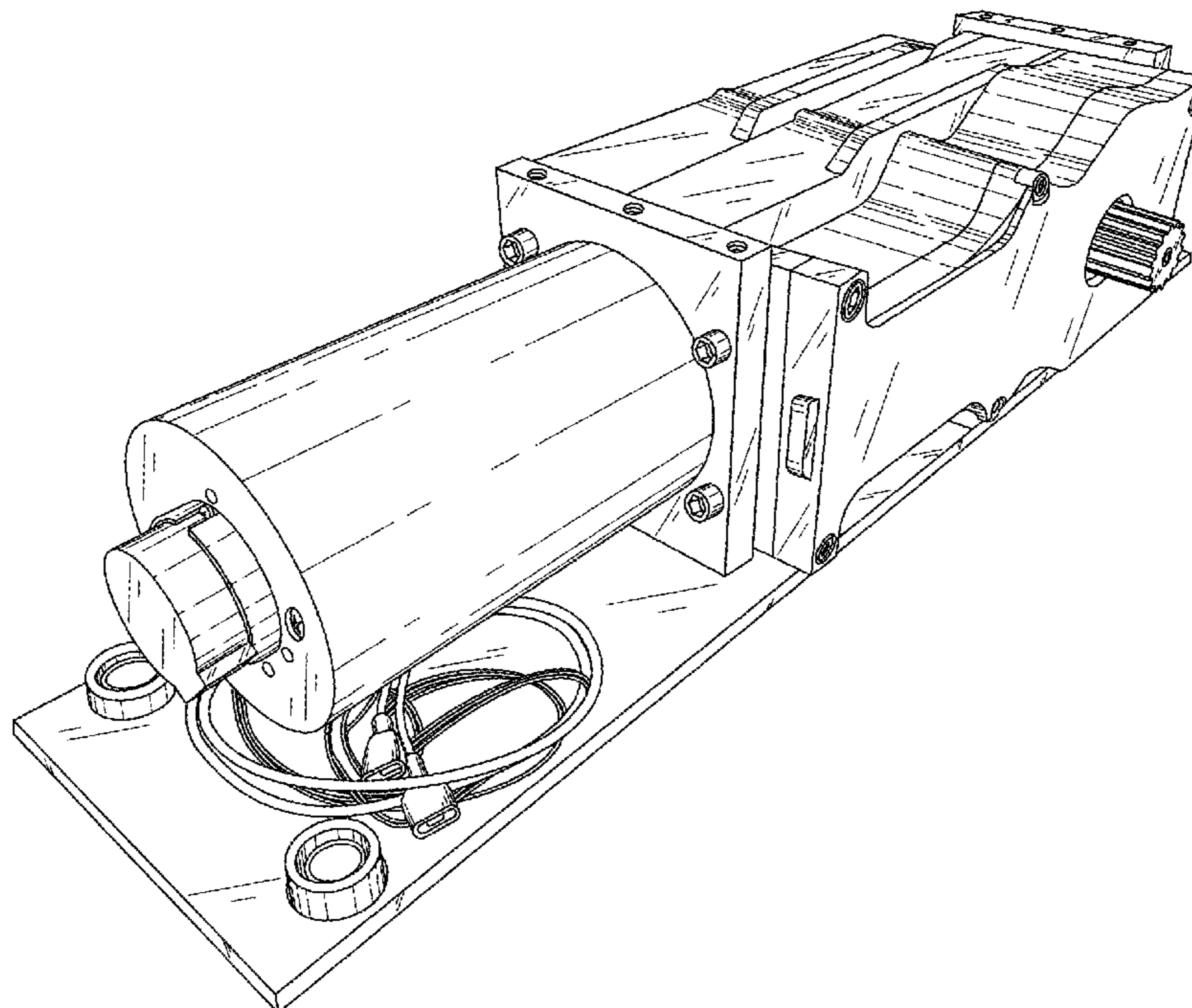
FIG. 5 is a top view of FIG. 1.

FIG. 6 is a bottom view of FIG. 1.

FIG. 7 is a front left perspective view of FIG. 1; and,

FIG. 8 is a back right perspective view of FIG. 1.

1 Claim, 8 Drawing Sheets



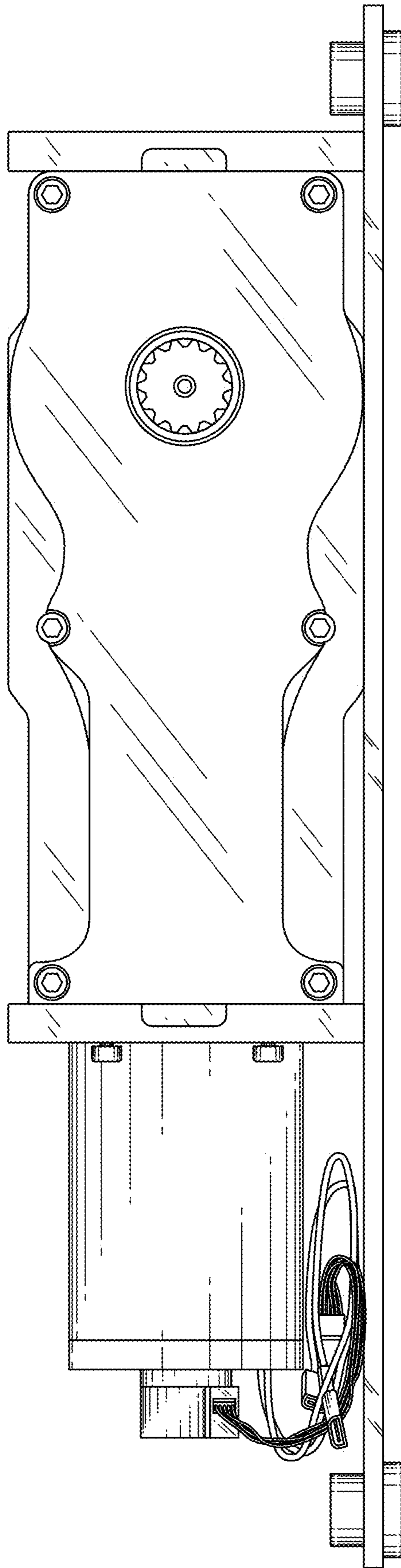


Fig. 1

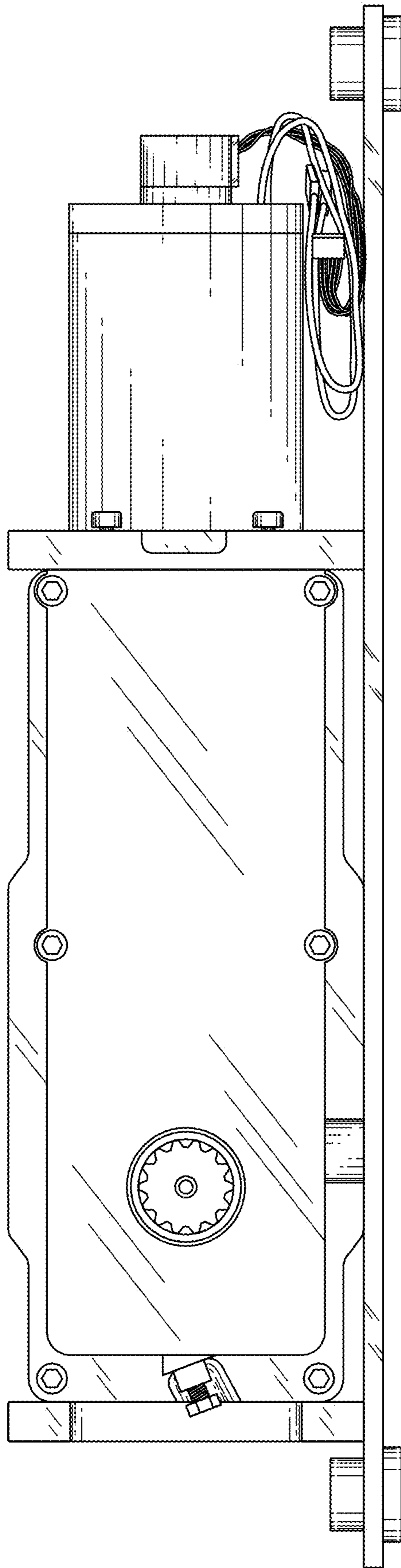


Fig. 2

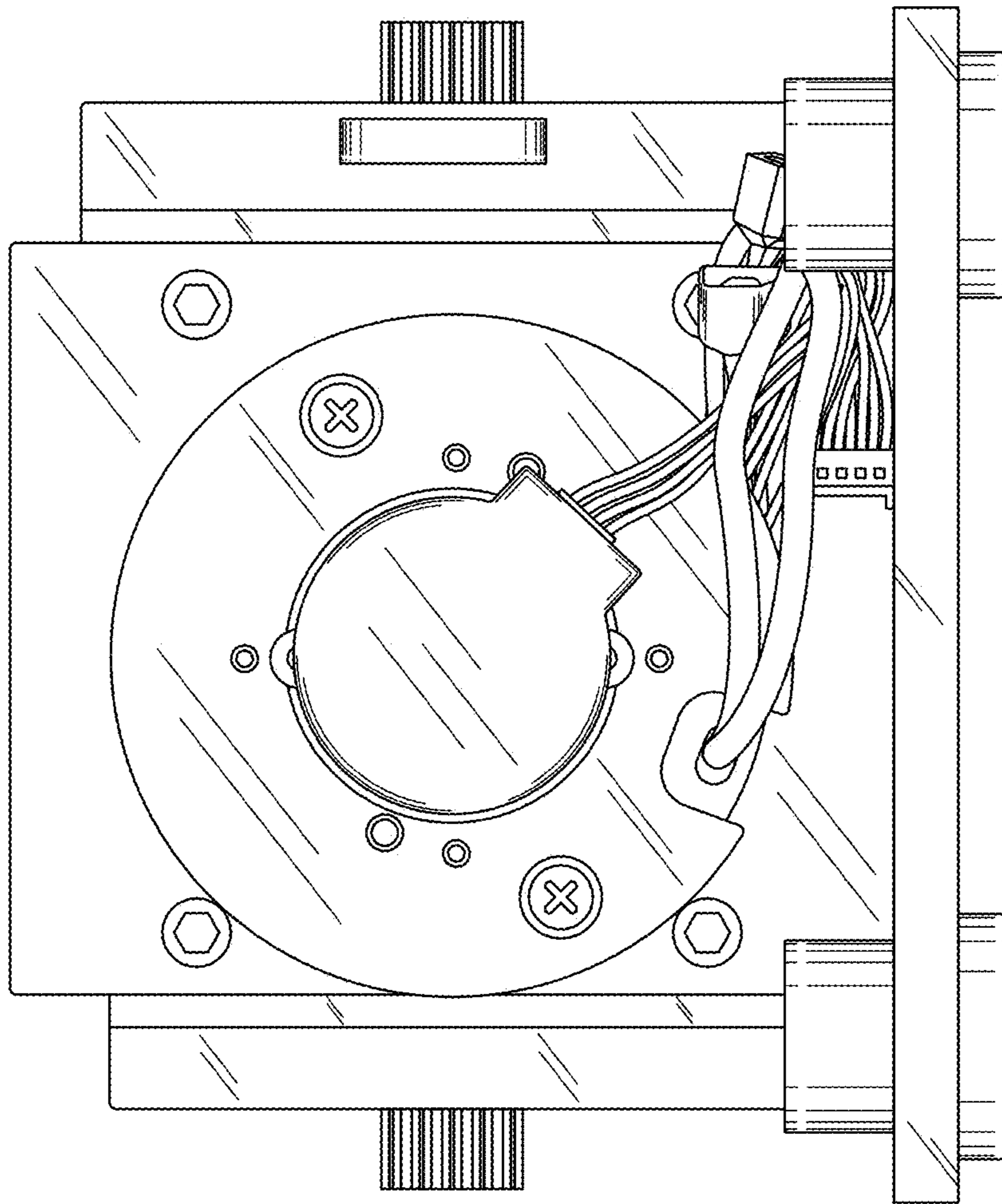


Fig. 3

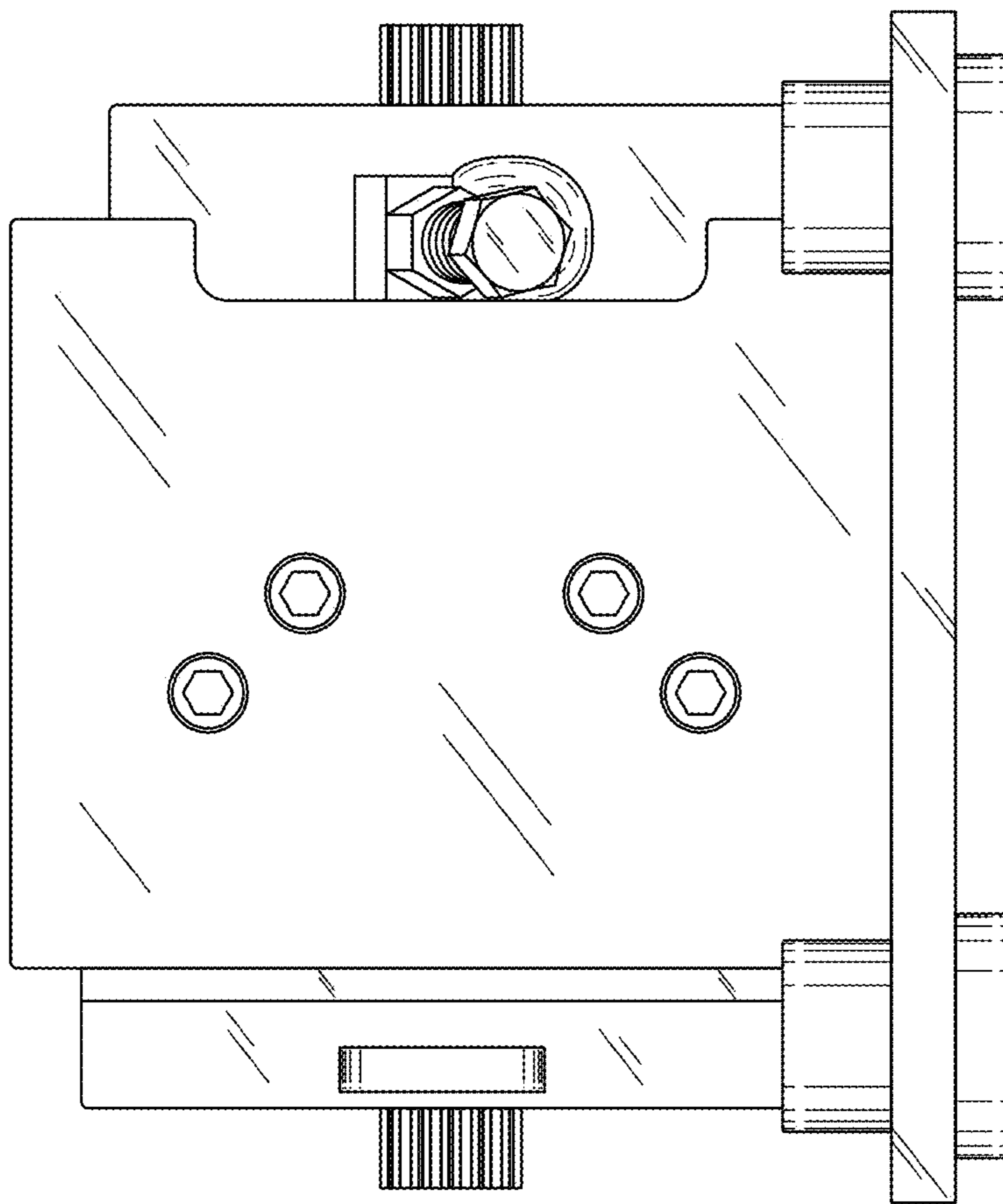


Fig. 4

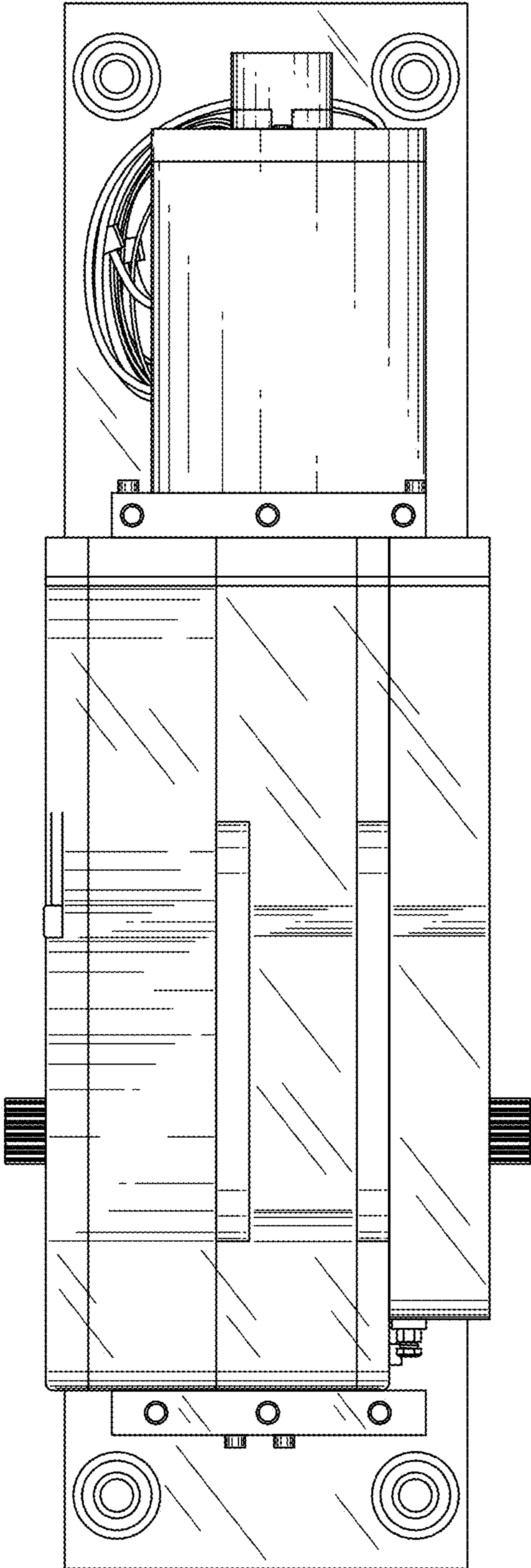


Fig. 5

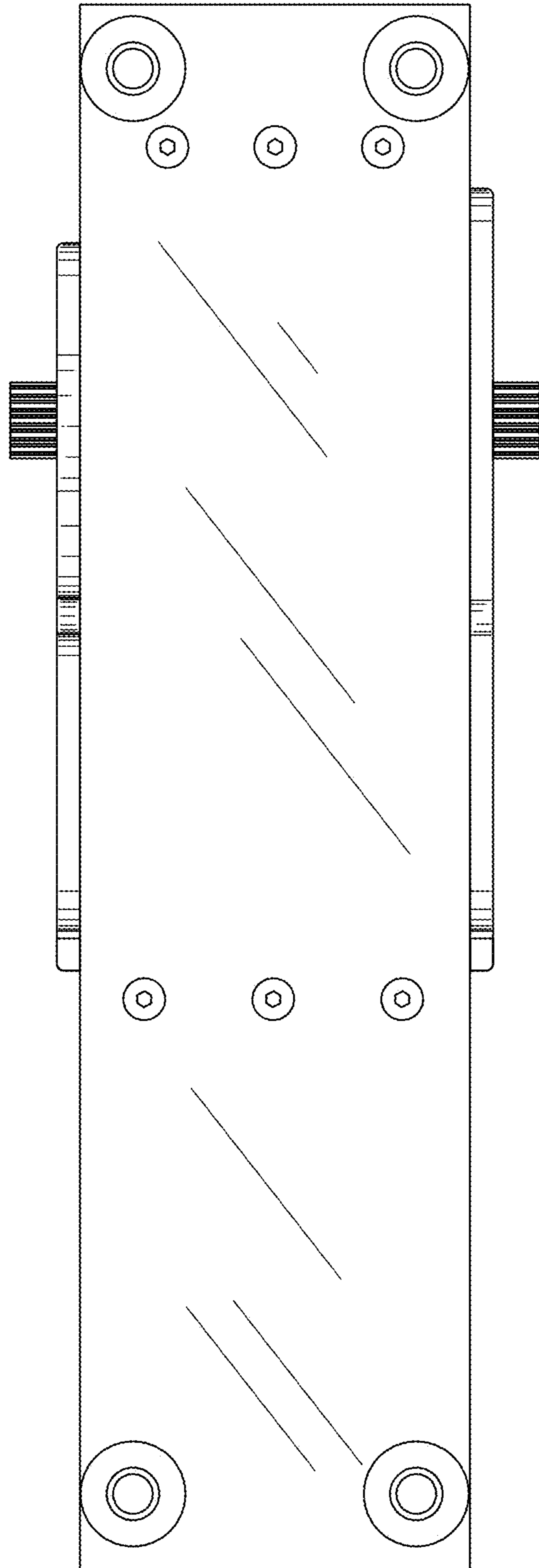


Fig. 6

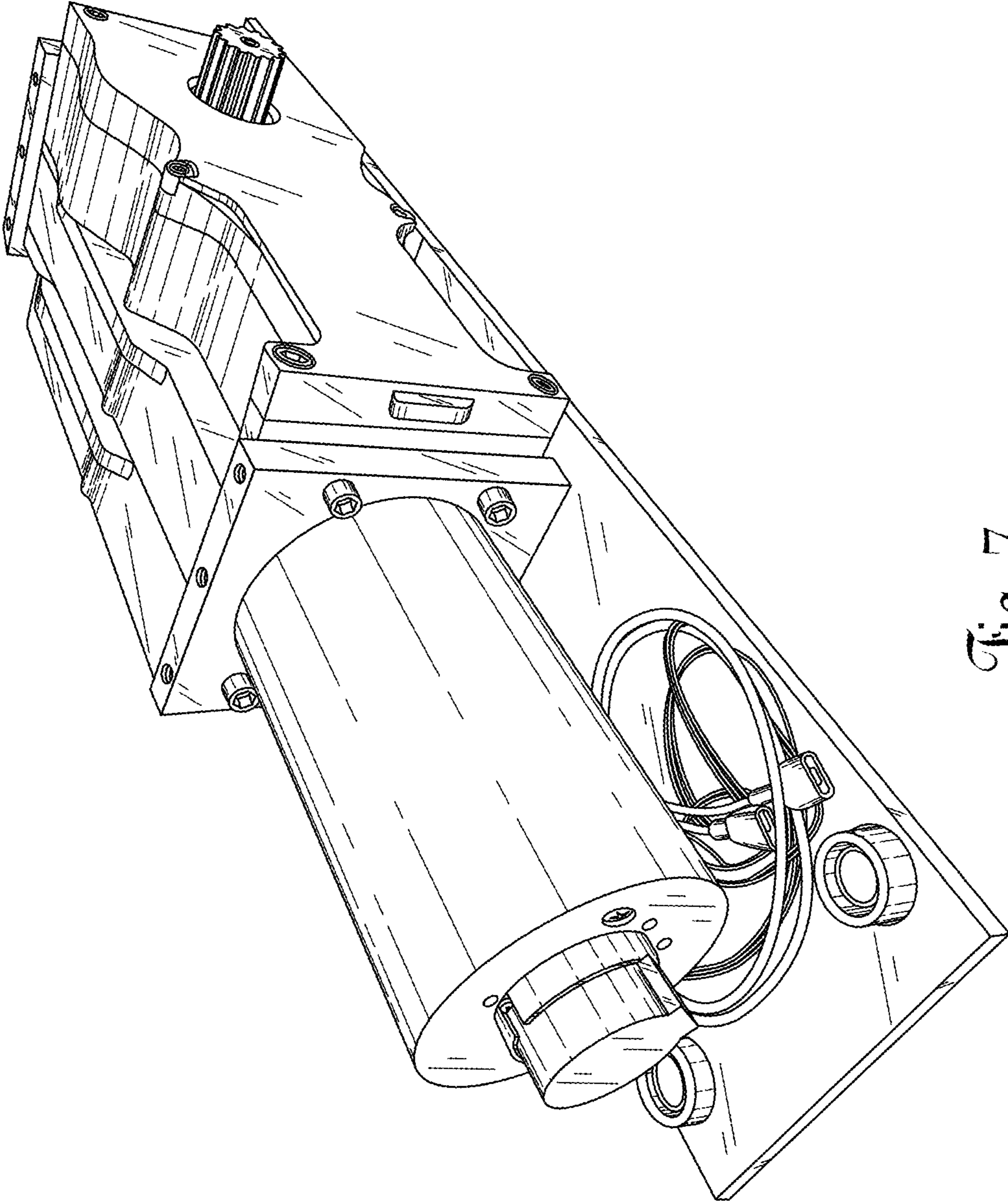


Fig. 7

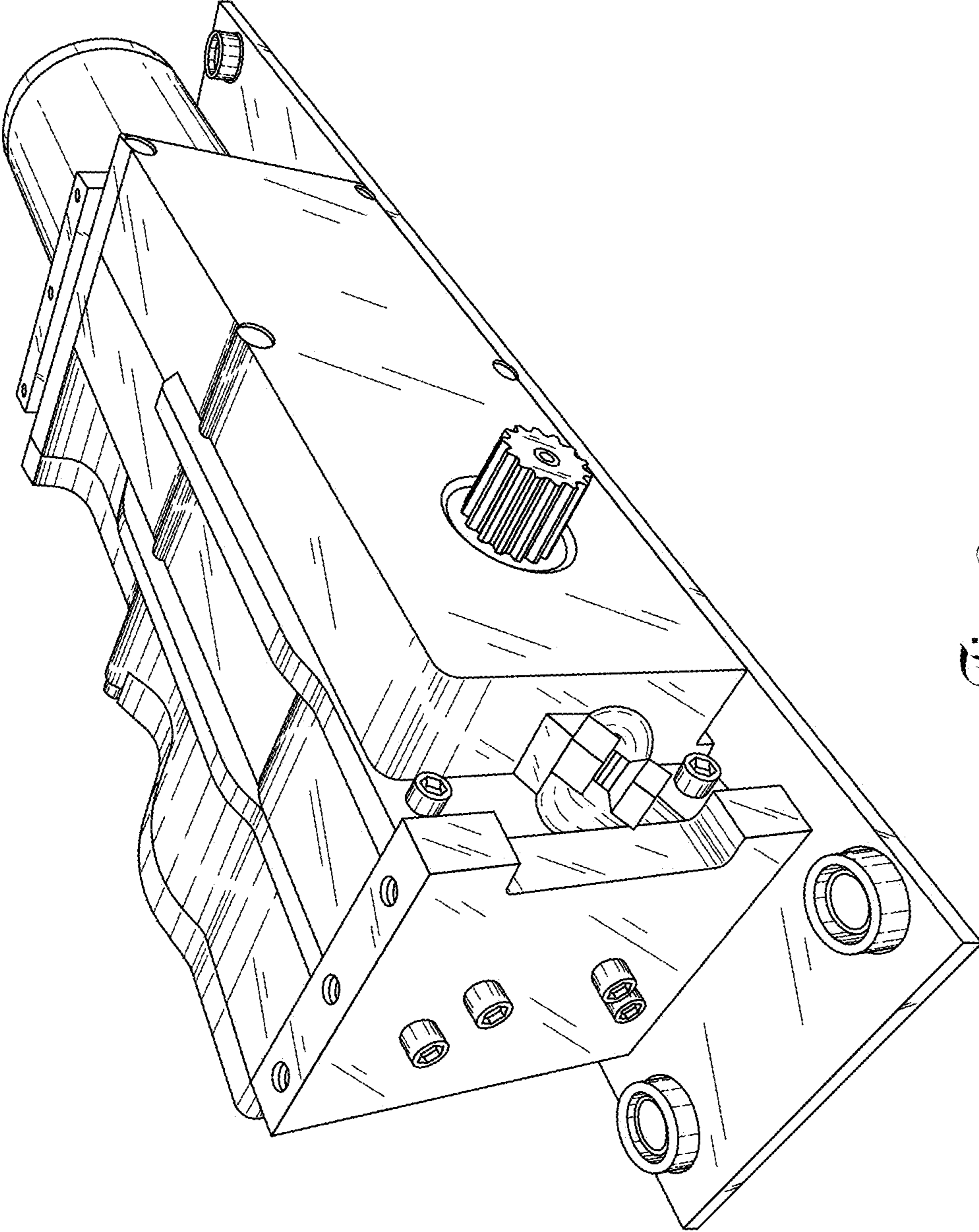


Fig. 8