



US00D989138S

(12) **United States Design Patent** (10) **Patent No.:** **US D989,138 S**  
**Yu** (45) **Date of Patent:** **\*\* Jun. 13, 2023**

(54) **FILM DISPENSER**  
(71) Applicant: **Yang Bey Industrial Co., Ltd.**,  
Taichung (TW)  
(72) Inventor: **Teng-Chi Yu**, Taichung (TW)  
(73) Assignee: **Yang Bey Industrial Co., Ltd.**,  
Taichung (TW)  
(\*\*) Term: **15 Years**  
(21) Appl. No.: **29/810,622**  
(22) Filed: **Oct. 7, 2021**  
(51) **LOC (14) Cl.** ..... **15-10**  
(52) **U.S. Cl.**  
USPC ..... **D15/145**  
(58) **Field of Classification Search**  
USPC ..... D6/515-523; D9/419, 420; D15/138,  
D15/145; D19/67, 134  
CPC ..... B65B 67/08; B65B 67/085; B65H 16/04;  
B65H 16/06; B65H 16/005; B65H  
16/106; B65H 23/06; B65H 75/08; B65H  
75/18; B65H 75/406; B65H 2402/41;  
B65H 2402/412; B65H 2801/81  
See application file for complete search history.

(56) **References Cited**  
U.S. PATENT DOCUMENTS  
D470,371 S \* 2/2003 Van Glabbeek ..... D8/51  
6,920,742 B1 \* 7/2005 Yu Chen ..... B65B 67/085  
156/577  
10,059,548 B2 \* 8/2018 Chen ..... B65B 61/02  
10,479,631 B1 \* 11/2019 Yu Chen ..... B65B 67/085  
10,479,632 B1 \* 11/2019 Yu Chen ..... B65H 16/06  
10,479,635 B1 \* 11/2019 Yu Chen ..... B65H 16/005  
10,994,884 B2 \* 5/2021 Voo ..... B65H 16/005

11,142,428 B2 \* 10/2021 Yu ..... B65H 75/242  
D941,378 S \* 1/2022 Yu ..... D8/51  
D977,276 S \* 2/2023 Yan ..... D6/518  
2011/0233321 A1 \* 9/2011 Yu Chen ..... B65B 67/085  
242/588.2  
2015/0353215 A1 \* 12/2015 Yu Chen ..... B65B 67/085  
53/203  
2016/0340070 A1 \* 11/2016 Yu Chen ..... B65H 16/005  
2016/0355293 A1 \* 12/2016 Clarke ..... B65B 67/085  
2021/0171232 A1 \* 6/2021 Kraaijestein ..... B65H 16/106  
2021/0261379 A1 \* 8/2021 Yu ..... B65H 16/005

\* cited by examiner

*Primary Examiner* — Patricia A Palasik  
(74) *Attorney, Agent, or Firm* — Bruce Stone LLP;  
Joseph A. Bruce

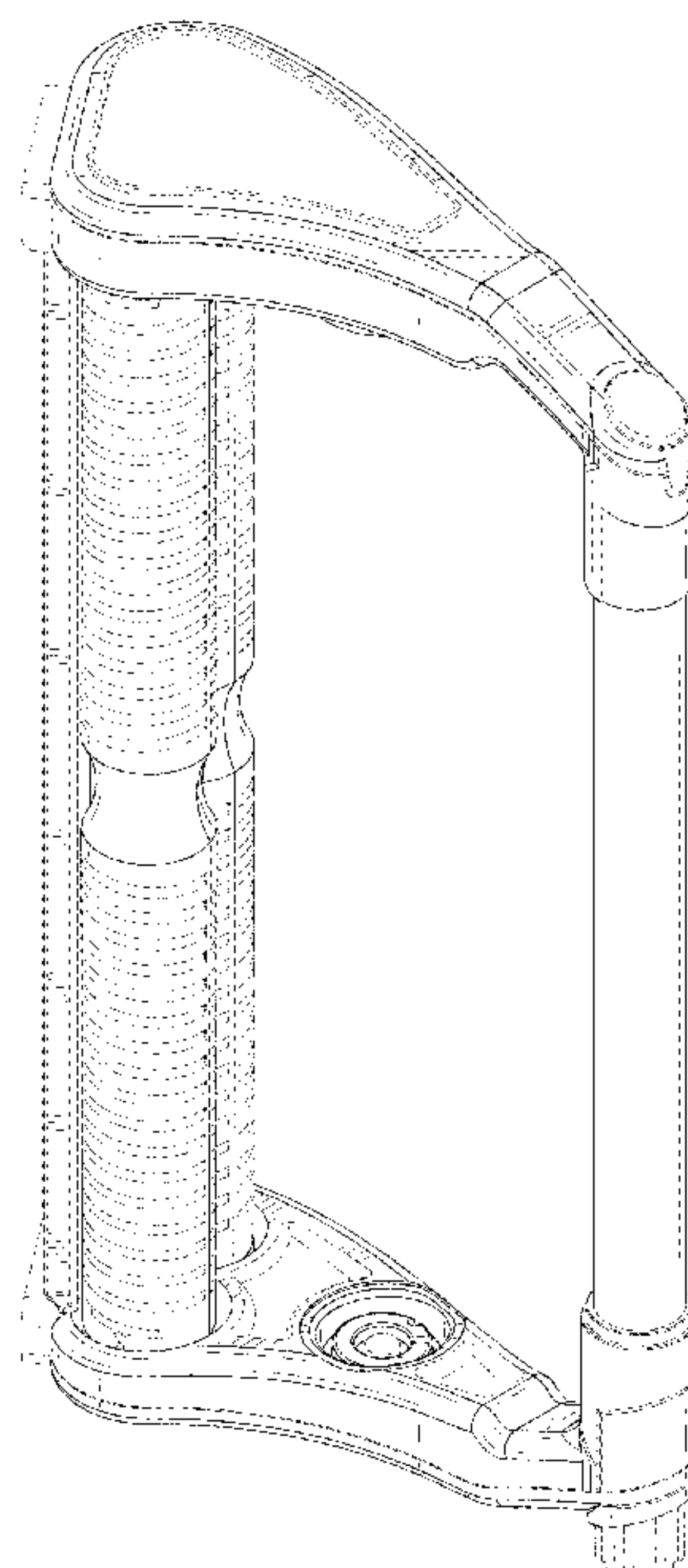
(57) **CLAIM**

The ornamental design for a film dispenser, as shown and described.

**DESCRIPTION**

FIG. 1 is a front top perspective view of a film dispenser showing my new design;  
FIG. 2 is a front elevational view thereof;  
FIG. 3 is a rear elevational view thereof;  
FIG. 4 is a left side elevational view thereof;  
FIG. 5 is a right side elevational view thereof;  
FIG. 6 is a top plan view thereof;  
FIG. 7 is a bottom plan view thereof; and,  
FIG. 8 is a front perspective view thereof, shown in an environment thereof.  
The broken lines in the middle of the film dispenser in FIG. 8 depict the environment thereof and form no part of the claimed design; the broken lines elsewhere in the drawings illustrate portions of the film dispenser that form no part of the claimed design.

**1 Claim, 7 Drawing Sheets**



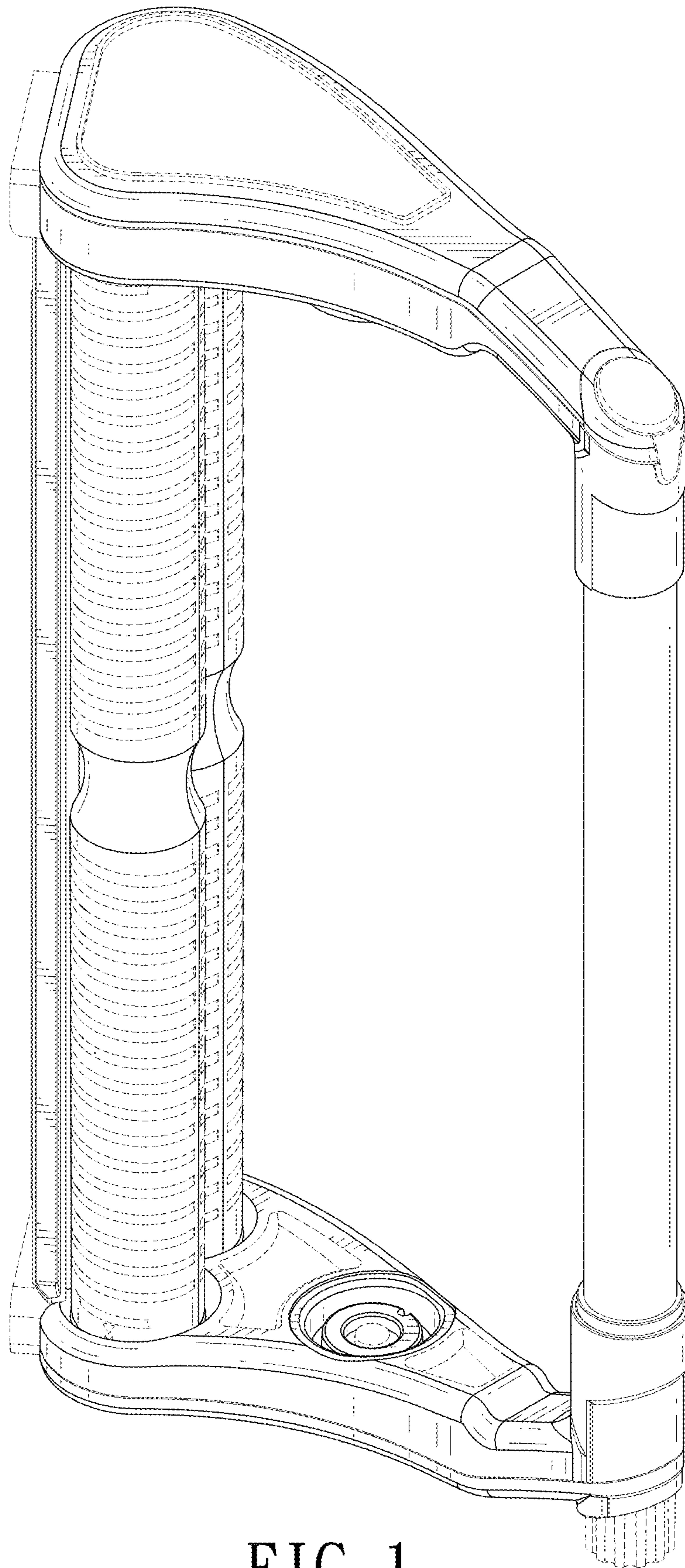


FIG. 1

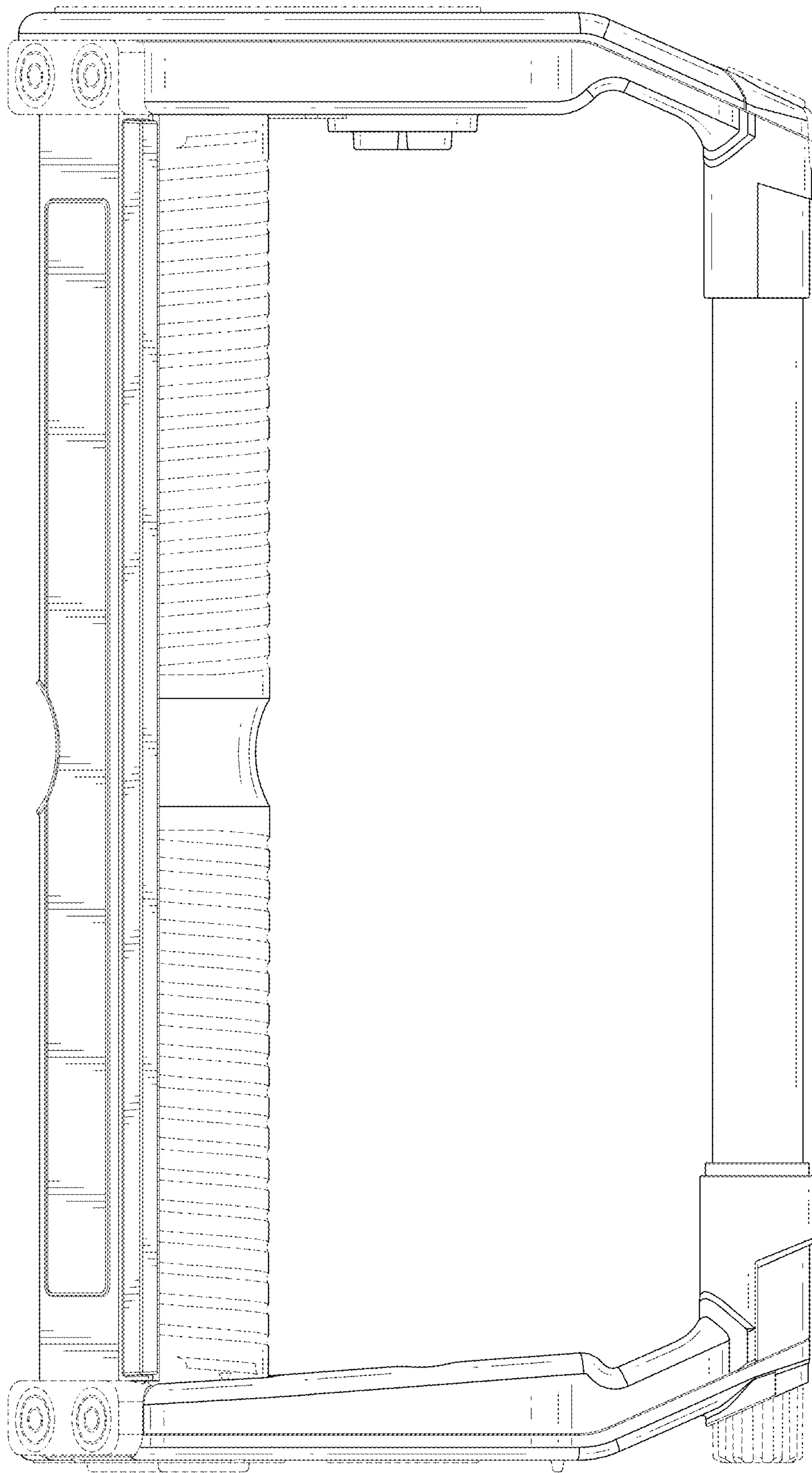


FIG. 2



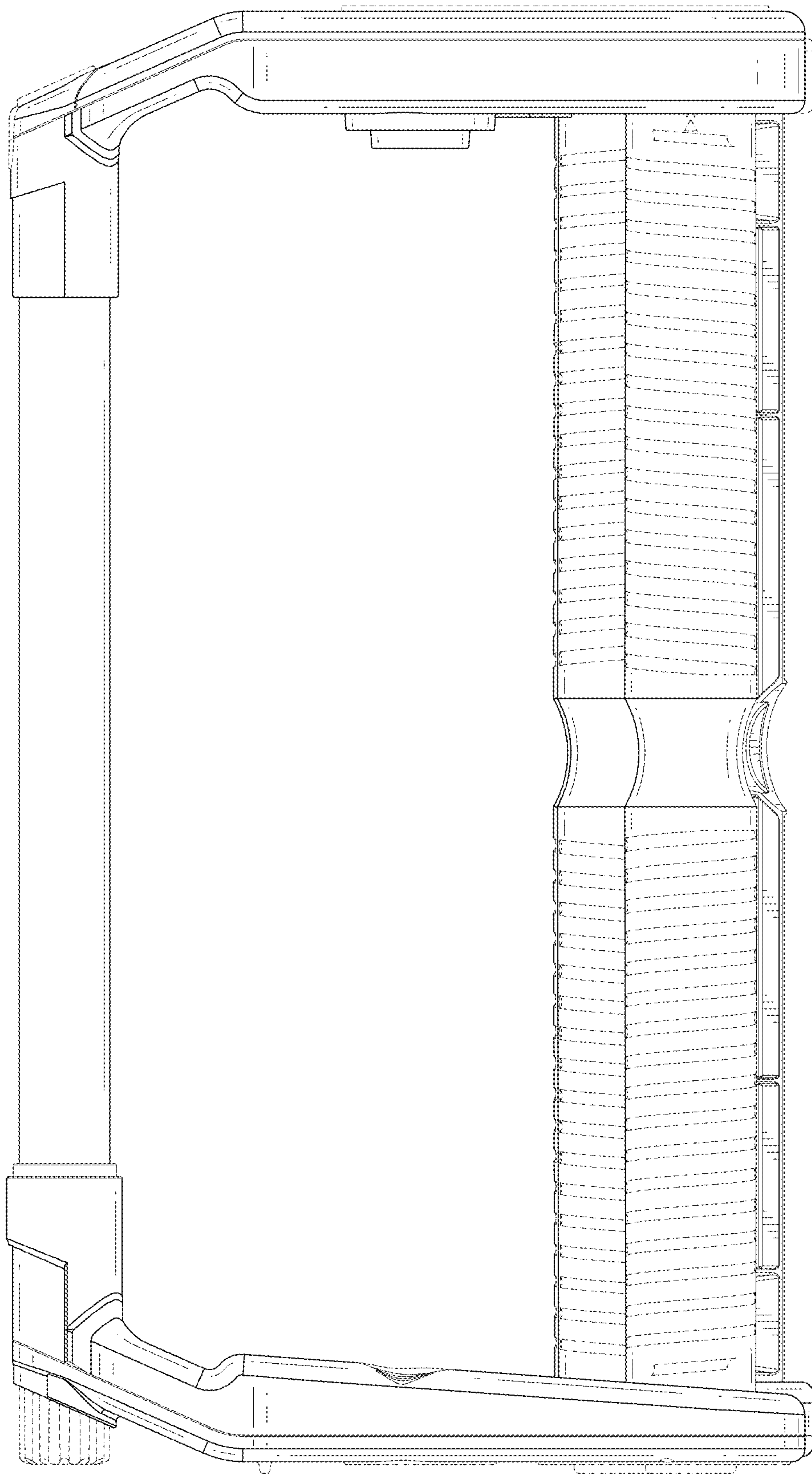


FIG. 3

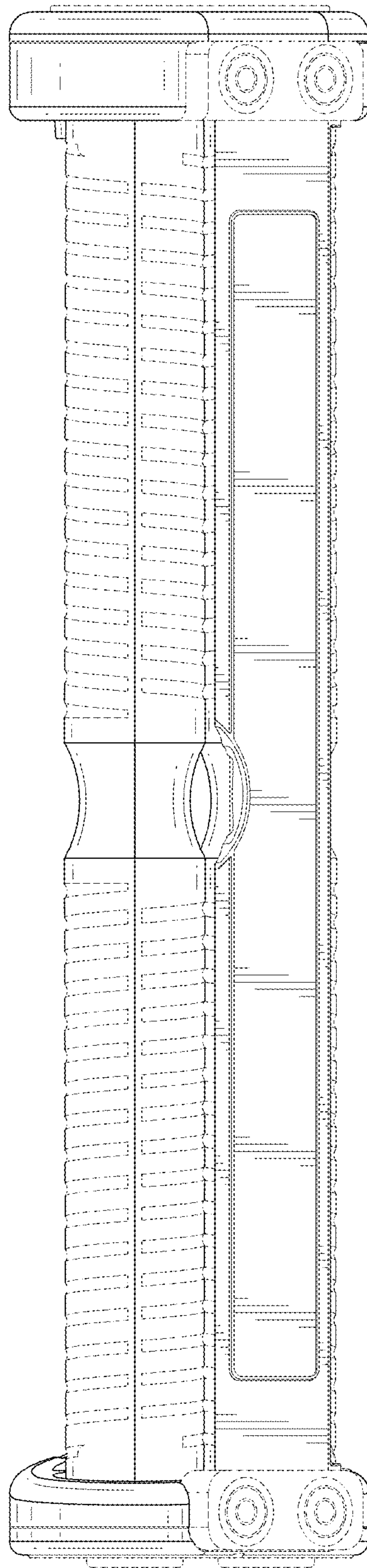


FIG. 4

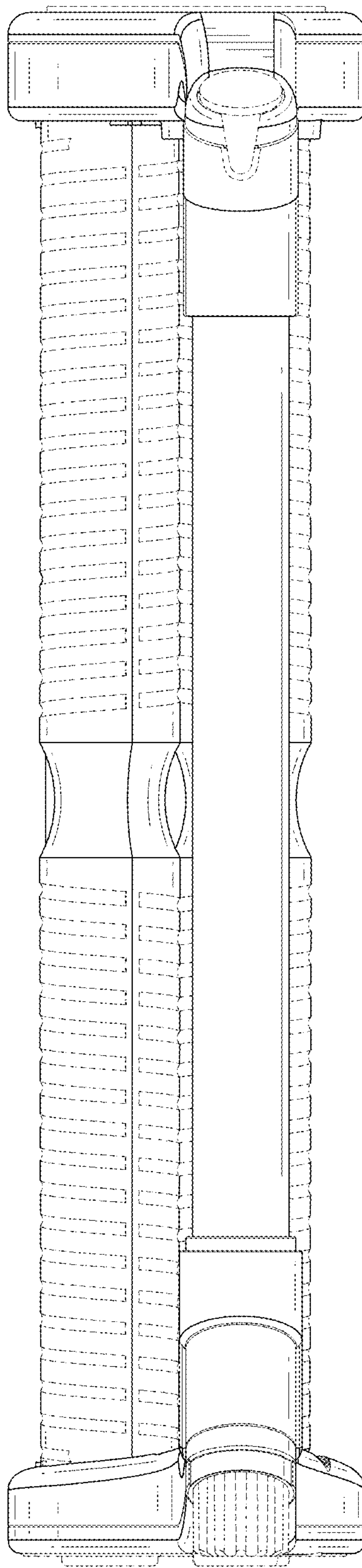


FIG. 5

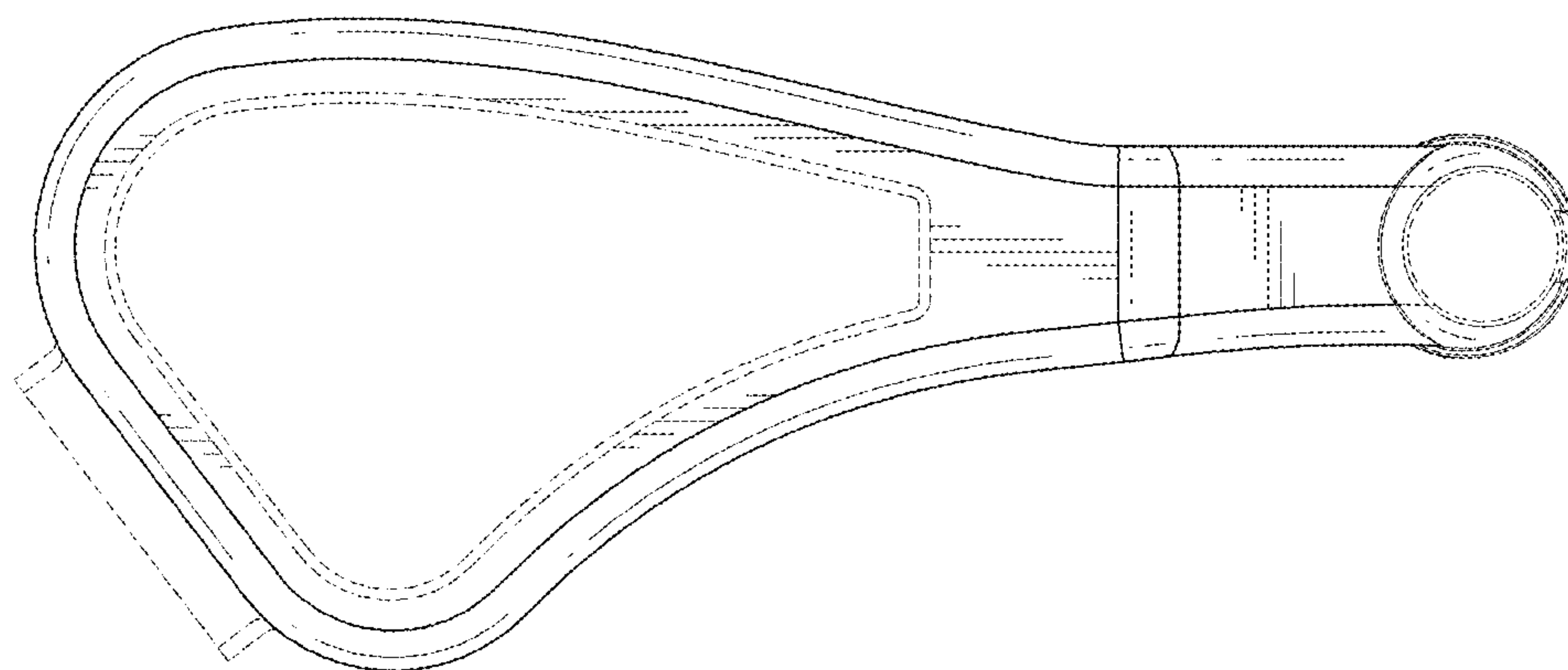


FIG. 6

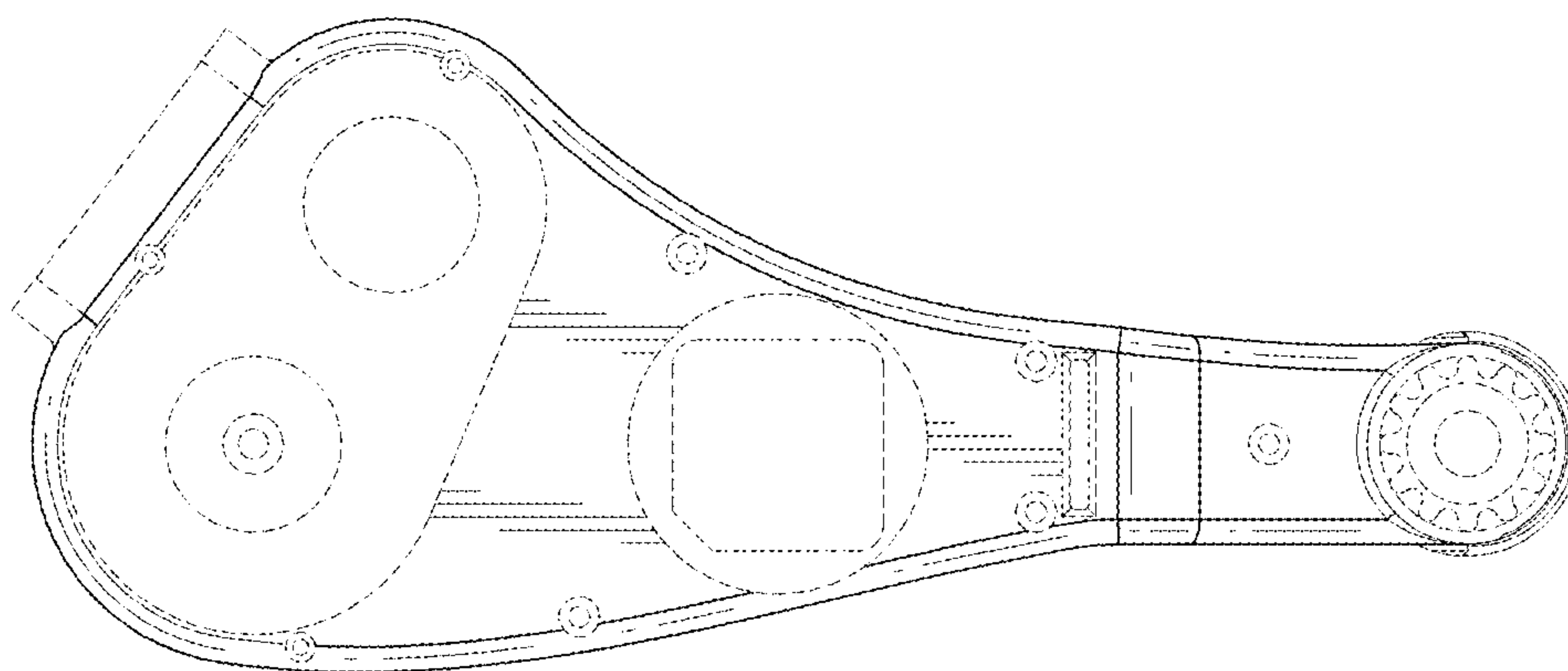


FIG. 7

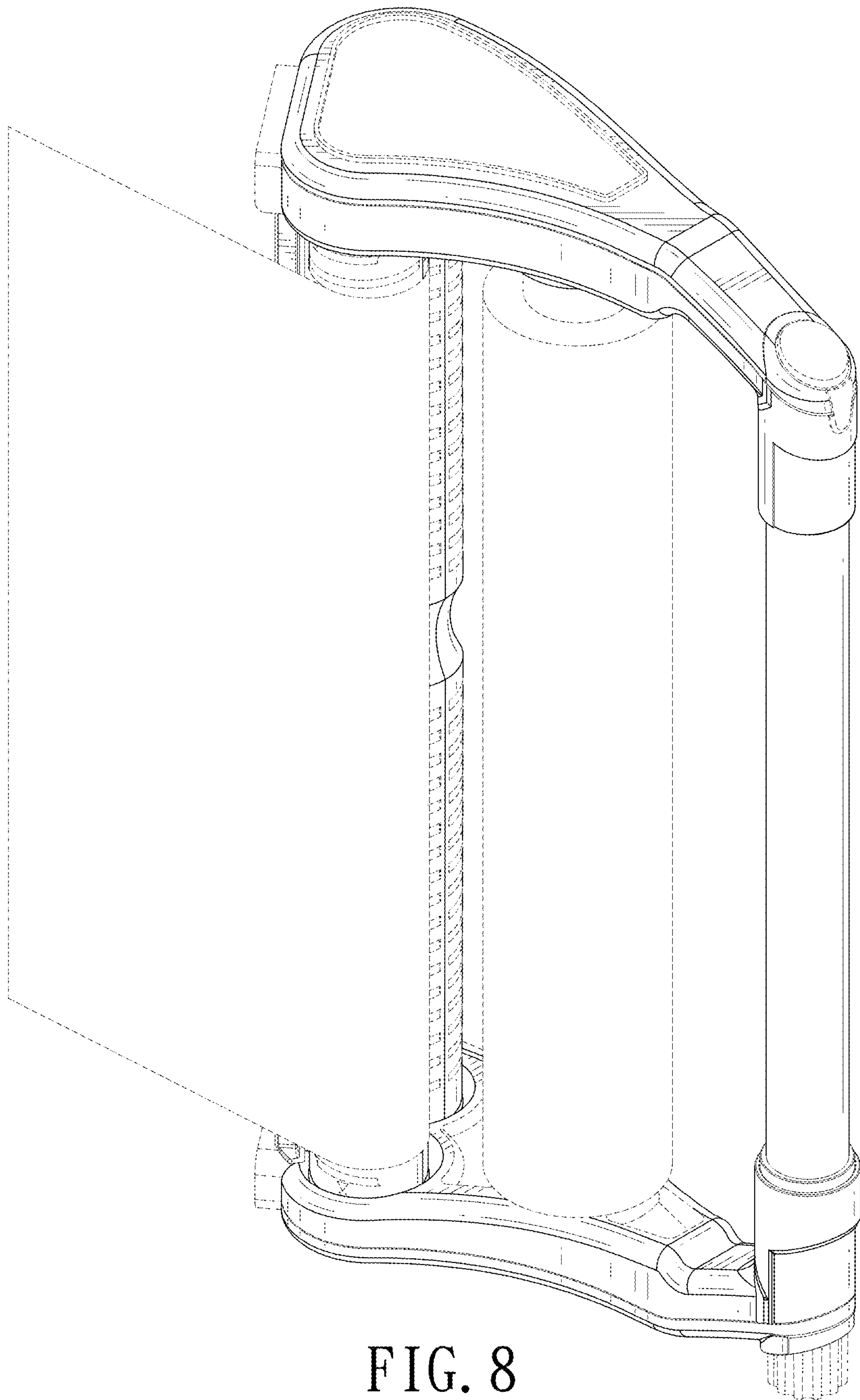


FIG. 8