



US00D989137S

(12) **United States Design Patent** (10) **Patent No.:** **US D989,137 S**  
**Ludwig** (45) **Date of Patent:** **\*\* Jun. 13, 2023**

(54) **ROAD MILLING AND PLANING PICK TOOL** D841,063 S \* 2/2019 Friederichs ..... B28D 1/188  
D15/139  
(71) Applicant: **Element Six GmbH**, Burghaun (DE) 10,195,766 B2 \* 2/2019 Rostvall ..... E21C 35/18  
D863,386 S \* 10/2019 Swope ..... E21C 35/183  
(72) Inventor: **Michael Ludwig**, Burghaun (DE) D868,122 S \* 11/2019 Rose ..... E21C 35/183  
D15/139  
(73) Assignee: **Element Six GmbH**, Burghaun (DE) 10,711,529 B2 \* 7/2020 Rostvall ..... E21B 10/633  
10,968,577 B2 \* 4/2021 Buhr ..... E21C 35/1835  
(\*\*) Term: **15 Years** D938,999 S \* 12/2021 Congdon ..... E21C 35/18  
D15/139  
(21) Appl. No.: **35/513,558** 2010/0295360 A1 \* 11/2010 Kramer ..... E21C 35/197  
299/110

(22) Filed: **Aug. 5, 2021**

(Continued)

(80) **Hague Agreement Data**

Int. Filing Date: **Aug. 5, 2021**  
Int. Reg. No.: **DM/216266**  
Int. Reg. Date: **Aug. 5, 2021**  
Int. Reg. Pub. Date: **Feb. 11, 2022**

(51) **LOC (14) Cl.** ..... **15-09**

(52) **U.S. Cl.**  
USPC ..... **D15/139**

(58) **Field of Classification Search**  
USPC ..... D15/139, 140  
CPC ..... E21C 35/1831; E21C 35/183; E21C  
35/1833; E21C 35/1837; E21C 35/1933  
See application file for complete search history.

(56) **References Cited**

U.S. PATENT DOCUMENTS

D118,877 S \* 2/1940 Hokanson ..... D15/139  
D420,013 S \* 2/2000 Warren ..... D15/139  
D520,035 S \* 5/2006 Kammerer ..... D15/139  
D558,241 S \* 12/2007 Chiang ..... D15/139  
D572,735 S \* 7/2008 Kammerer ..... D15/139  
D572,736 S \* 7/2008 Chiang ..... D15/139  
D581,952 S \* 12/2008 Hall ..... D15/21  
D636,797 S \* 4/2011 Kammerer ..... D15/139  
D637,213 S \* 5/2011 Kammerer ..... D15/139  
8,210,618 B2 \* 7/2012 Monyak ..... E21C 35/183  
299/113  
9,458,607 B2 \* 10/2016 Swope ..... B28D 1/186

OTHER PUBLICATIONS

RK3-PT Cylindrical Tip ASTM4142 Cutting Picks, VortexDiamond.com, copyright 2018, online product page, retrieved Nov. 6, 2022 from <URL:https://vortexdiamond.com/products/rk3-pt-13mm-cylindrical-tip-astm4142-kennametal-cutting-picks> (Year: 2018).\*

*Primary Examiner* — Calvin E Vansant  
(74) *Attorney, Agent, or Firm* — Kilpatrick Townsend & Stockton LLP

(57) **CLAIM**

The ornamental design for a road milling and planing pick tool, as shown and described.

**DESCRIPTION**

1. Road milling and planing pick tool

1.1 : Front

1.2 : Back

1.3 : Top

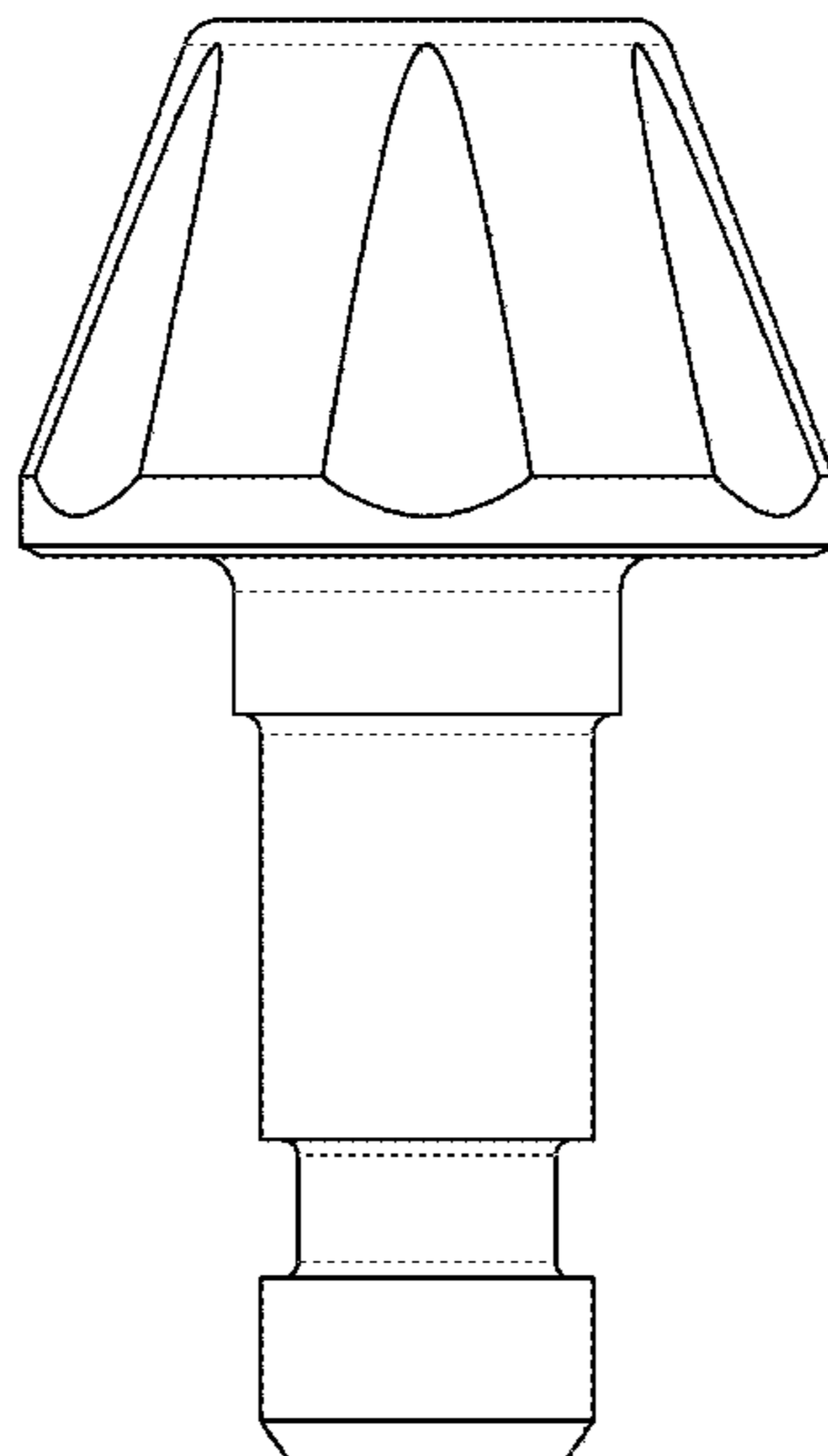
1.4 : Bottom

1.5 : Left

1.6 : Right

This design relates to a pick tool for road planing or milling. The broken lines show portions of a road milling and planing pick tool which form no part of the claimed design.

**1 Claim, 6 Drawing Sheets**



(56)

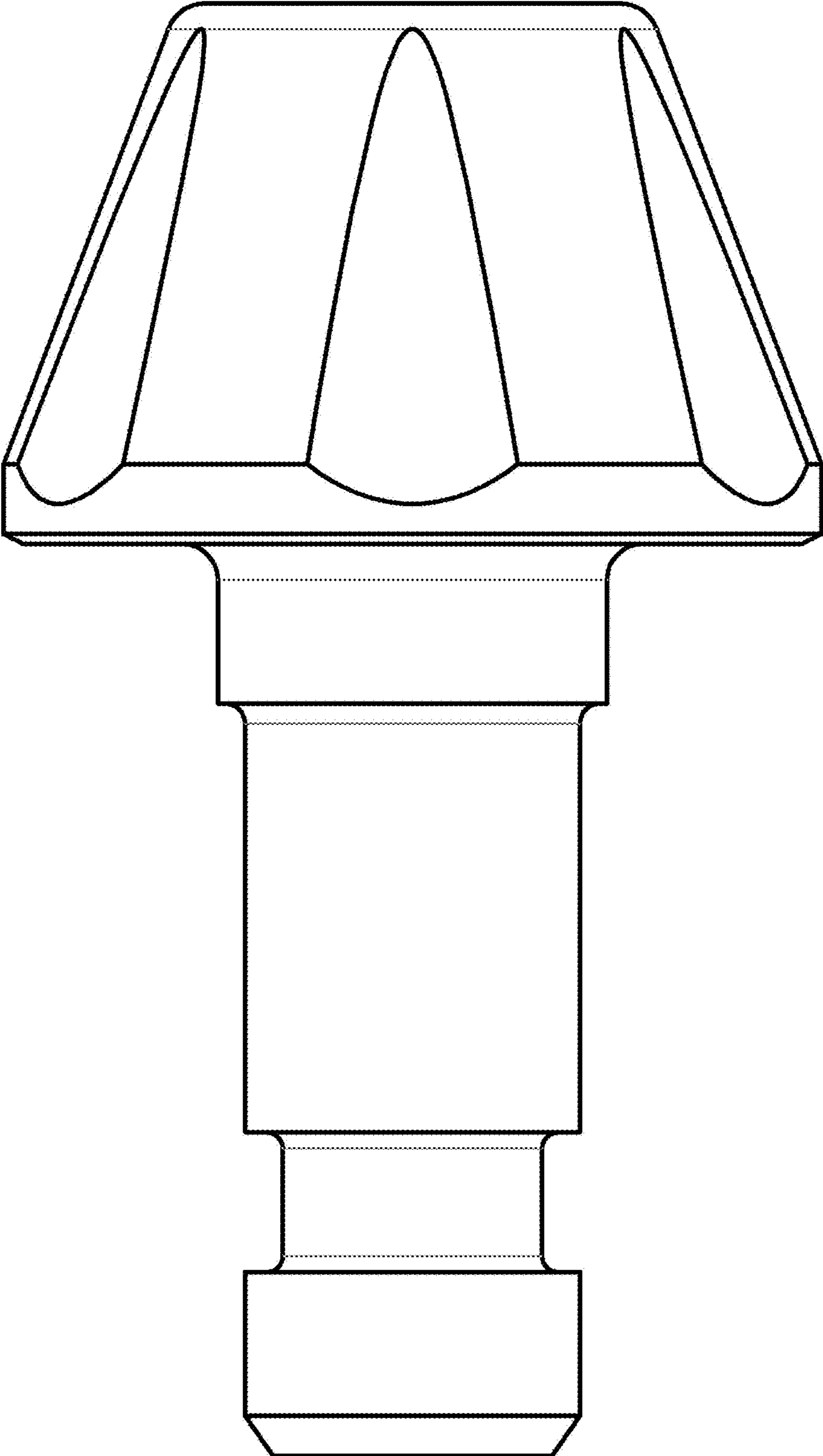
**References Cited**

U.S. PATENT DOCUMENTS

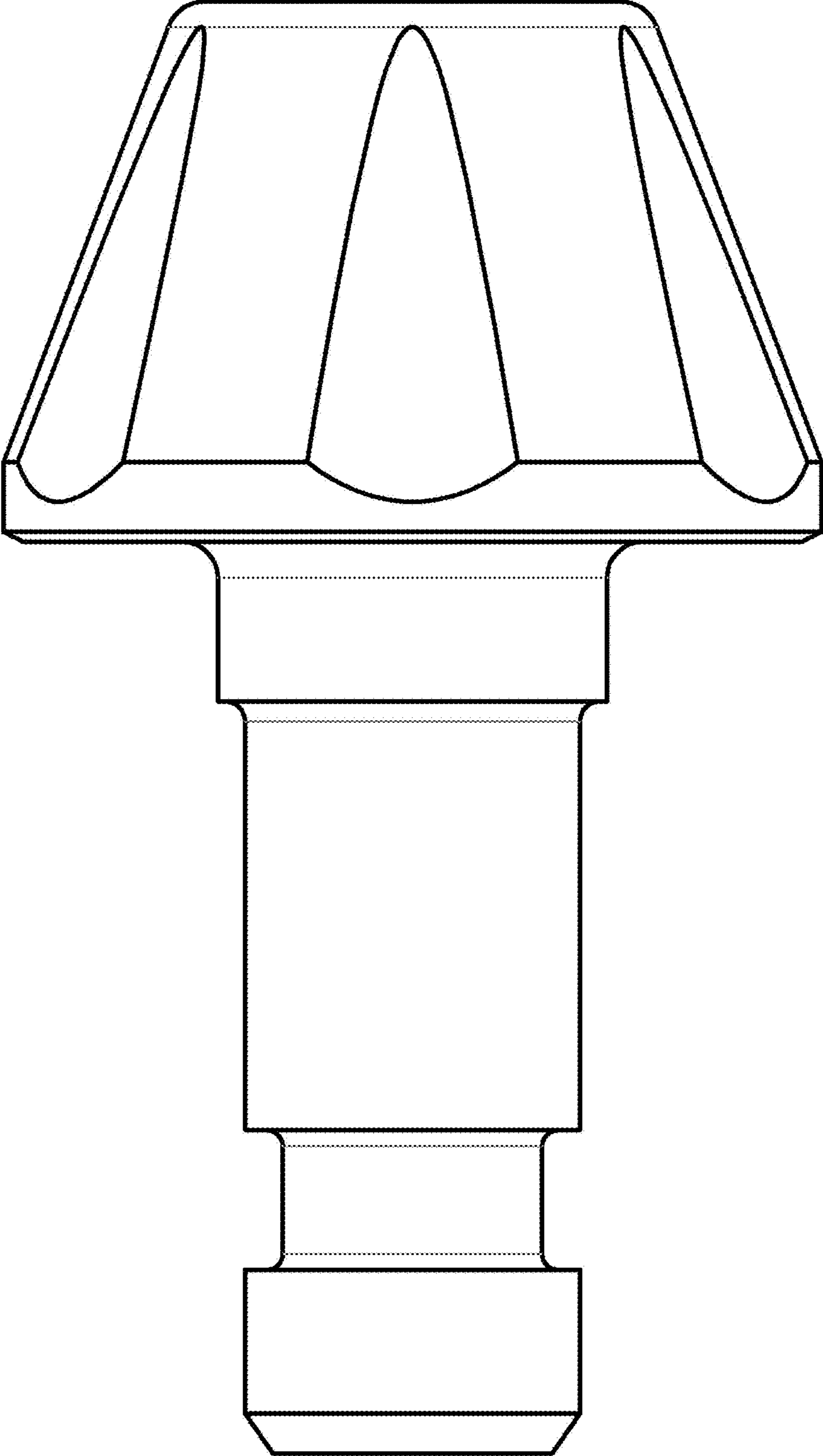
2011/0204702 A1\* 8/2011 Lehnert ..... E21C 35/183  
299/105  
2013/0002004 A1\* 1/2013 Greenspan ..... E21C 35/183  
299/101  
2018/0142432 A1\* 5/2018 Rostvall ..... E21C 35/18  
2020/0157938 A1\* 5/2020 Congdon ..... B28D 1/188

\* cited by examiner

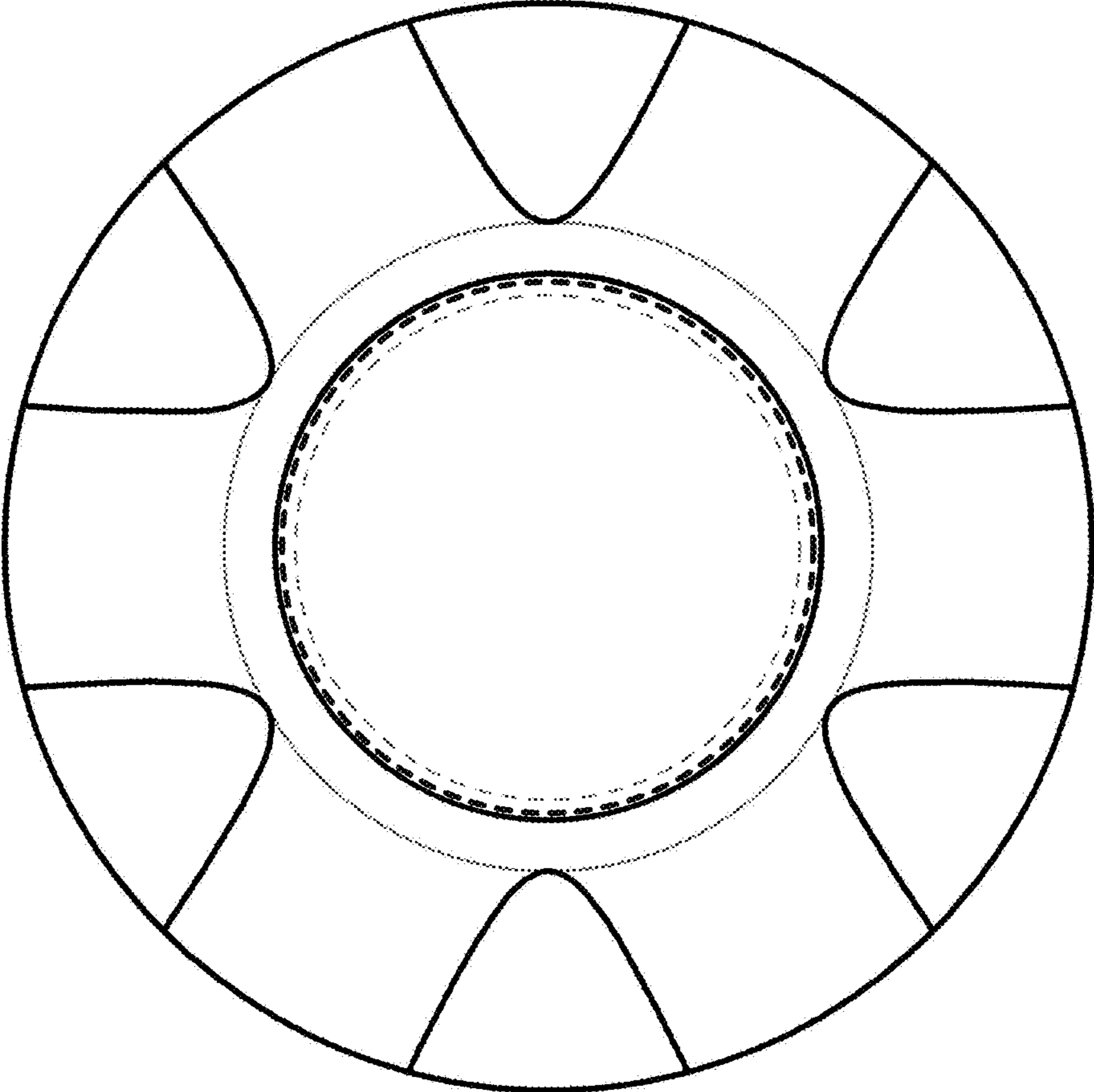
1.1



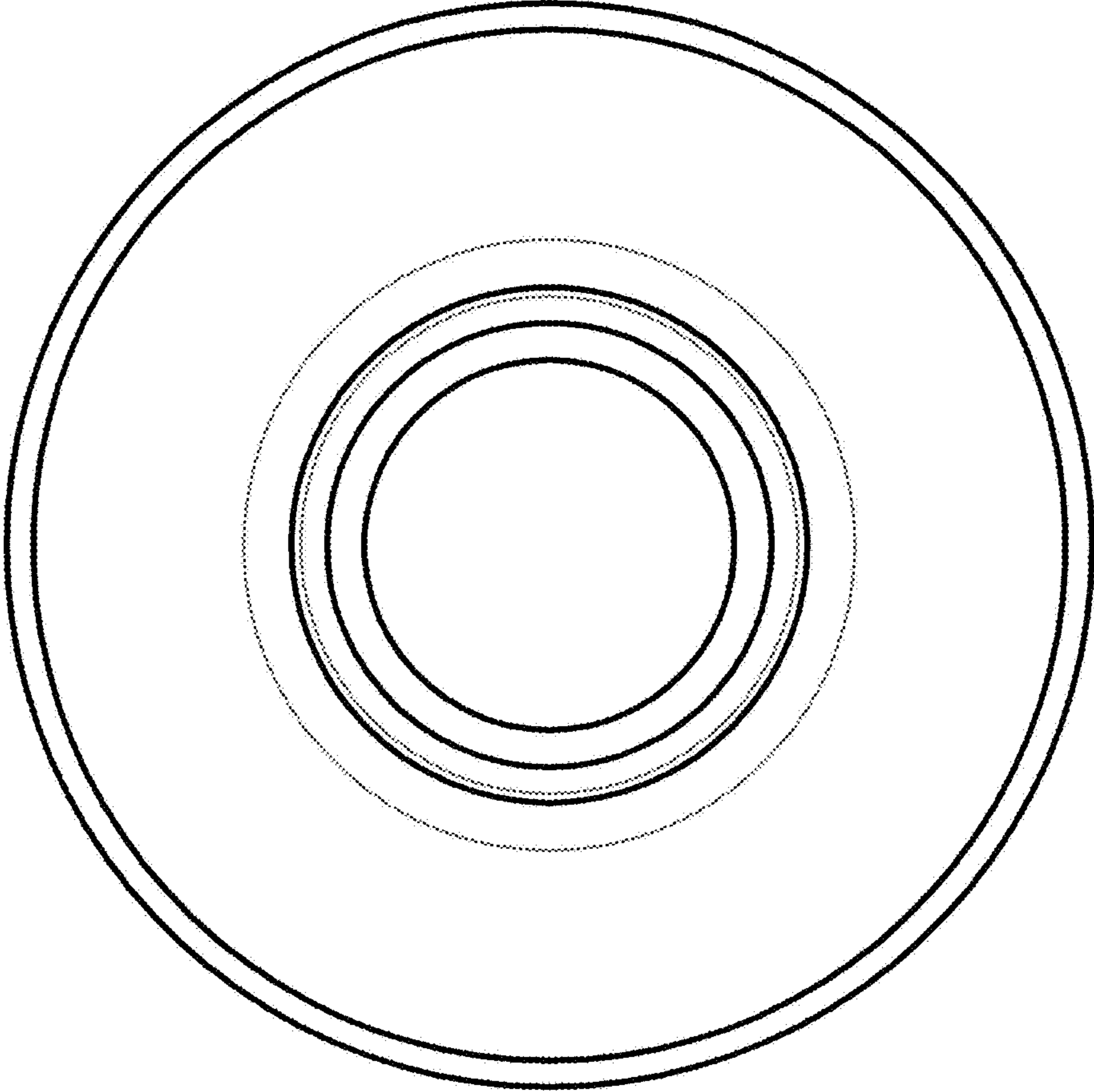
1.2



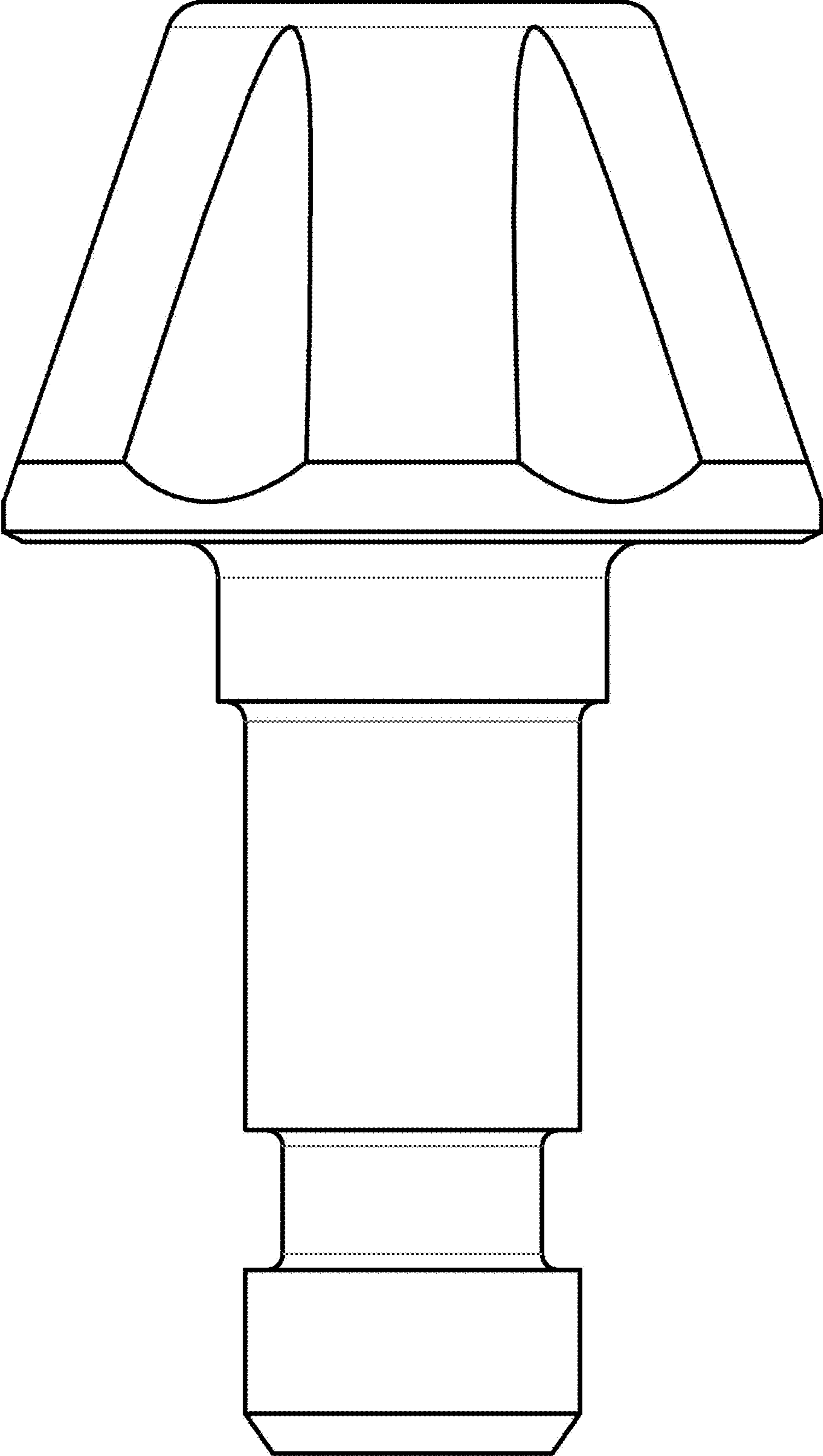
1.3



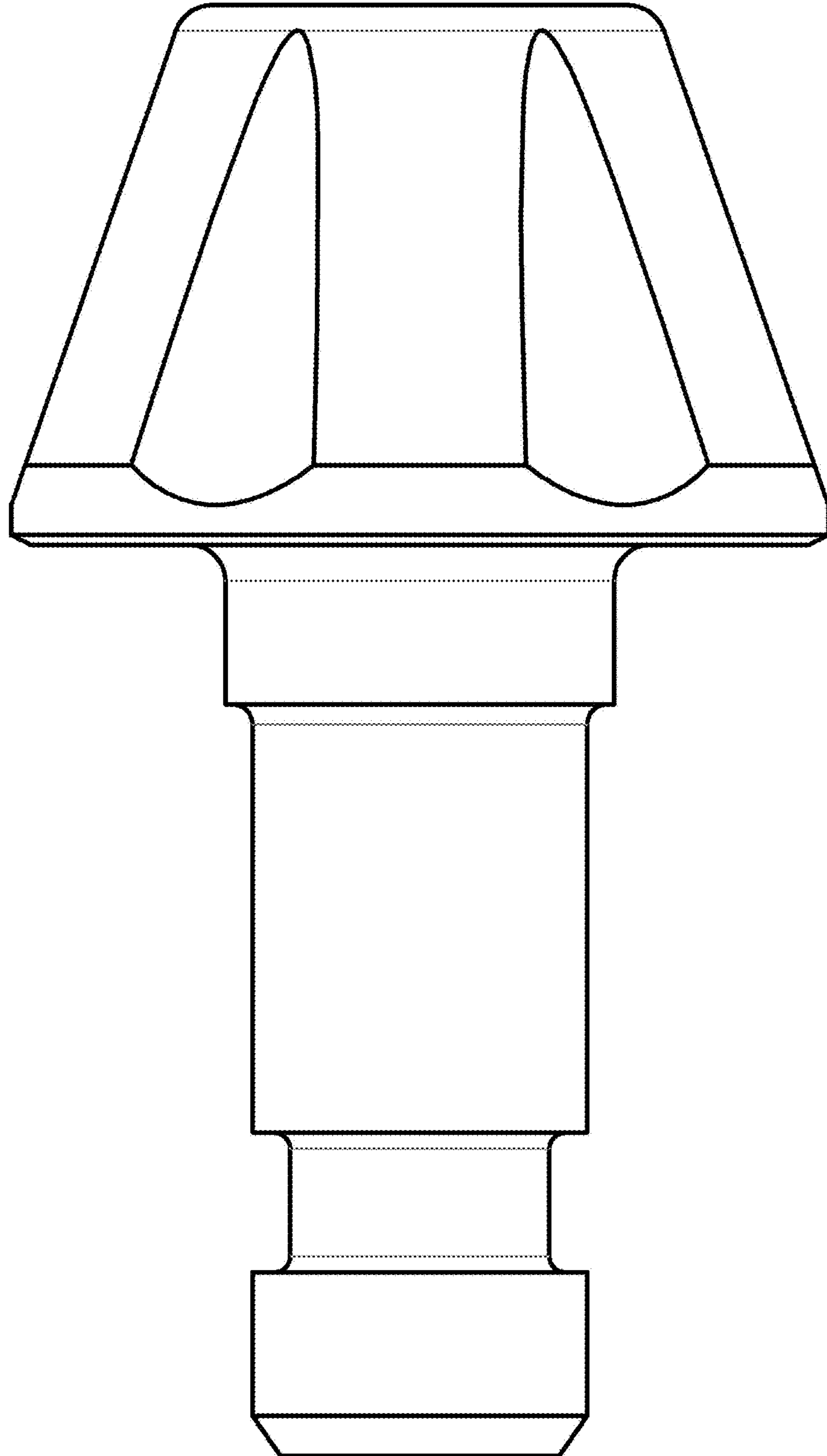
1.4



1.5



1.6





UNITED STATES PATENT AND TRADEMARK OFFICE  
**CERTIFICATE OF CORRECTION**

PATENT NO. : D989,137 S  
APPLICATION NO. : 35/513558  
DATED : June 13, 2023  
INVENTOR(S) : Michael Ludwig

Page 1 of 1

It is certified that error appears in the above-identified patent and that said Letters Patent is hereby corrected as shown below:

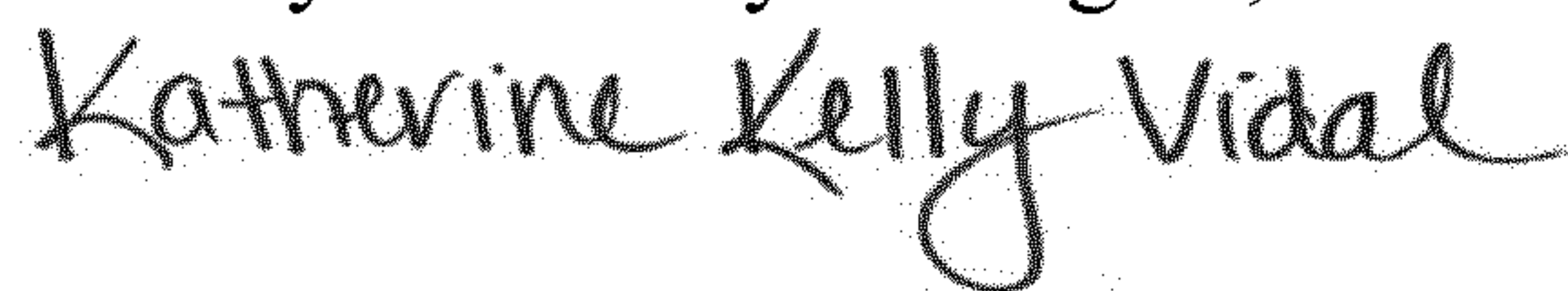
On the Title Page

Add item (30):

**Foreign Application Priority Data**

Feb. 11, 2021 (EM) ..... 008433262-0001

Signed and Sealed this  
Twenty-ninth Day of August, 2023



Katherine Kelly Vidal  
*Director of the United States Patent and Trademark Office*