



US00D989135S

(12) **United States Design Patent**  
**Buckby et al.**

(10) **Patent No.:** **US D989,135 S**  
(45) **Date of Patent:** **\*\* Jun. 13, 2023**

- (54) **MASK ASSEMBLY**
- (71) Applicant: **NEXA3D INC.**, Ventura, CA (US)
- (72) Inventors: **Matthew Buckby**, Ventura, CA (US);  
**Avi N. Reichental**, Carpinteria, CA (US); **Miguel Cuevas Sandoval**,  
Camarillo, CA (US); **Francis Kenyon Whetsell**, Ventura, CA (US)
- (73) Assignee: **NEXA3D INC.**, Ventura, CA (US)
- (\*\*) Term: **15 Years**
- (21) Appl. No.: **29/790,178**
- (22) Filed: **Nov. 10, 2021**
- (51) **LOC (14) Cl.** ..... **15-09**
- (52) **U.S. Cl.**  
USPC ..... **D15/135**
- (58) **Field of Classification Search**  
USPC ... D15/122, 135, 136, 138, 144, 144.2, 199;  
D18/18, 50, 55, 56, 99  
CPC ... B29C 33/30; B29C 67/007; B29C 67/0092;  
B33Y 30/00  
See application file for complete search history.

(56) **References Cited**

**U.S. PATENT DOCUMENTS**

D109,851 S	*	5/1938	Meredith	.....	D15/135
D324,391 S	*	3/1992	Gaab	.....	D15/135
D426,559 S	*	6/2000	Christensen	.....	D15/135
D717,845 S	*	11/2014	Wachsmann	.....	D15/135
D717,846 S	*	11/2014	Wachsmann	.....	D15/135

D759,980 S	*	6/2016	Toth	.....	D6/300
D858,591 S	*	9/2019	Koch	.....	D15/135
D900,175 S	*	10/2020	MacNeil	.....	D15/138
D900,177 S	*	10/2020	Pappas	.....	D15/138
D913,345 S	*	3/2021	Wachsmann	.....	D15/135
D913,346 S	*	3/2021	Wachsmann	.....	D15/135
D956,136 S	*	6/2022	Lee	.....	D18/50

**FOREIGN PATENT DOCUMENTS**

CN 209821547 U 12/2019

\* cited by examiner

*Primary Examiner* — Michael C Stout

*Assistant Examiner* — Fritzgerald L Butac

(74) *Attorney, Agent, or Firm* — Ascenda Law Group, PC

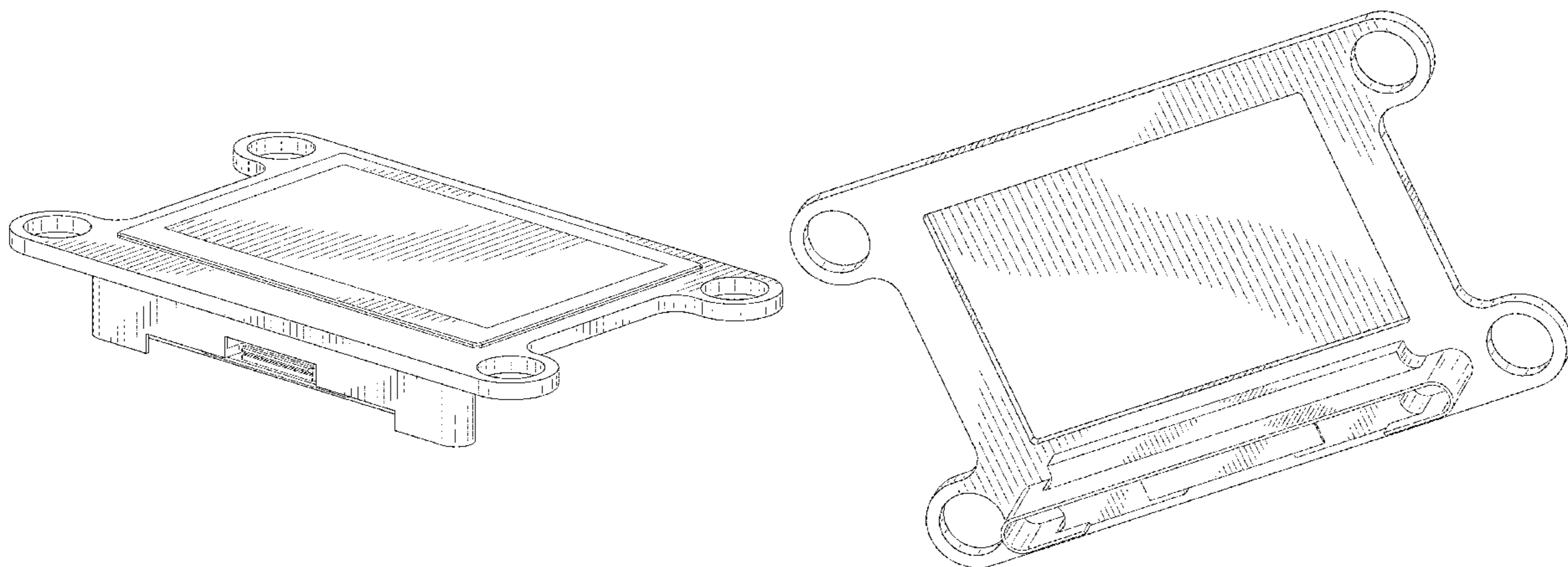
(57) **CLAIM**

The ornamental design for a mask assembly, as shown and described.

**DESCRIPTION**

FIG. 1 top-front perspective view of a mask assembly showing the new design;  
 FIG. 2 is a bottom-rear perspective view thereof;  
 FIG. 3 is a front view thereof;  
 FIG. 4 is a back view thereof;  
 FIG. 5 is a left side view thereof, the right side view being a mirror image of the left side view;  
 FIG. 6 is a top view thereof; and,  
 FIG. 7 is a bottom view thereof.  
 The broken lines show portions of a mask assembly which form no part of the claimed design.

**1 Claim, 5 Drawing Sheets**



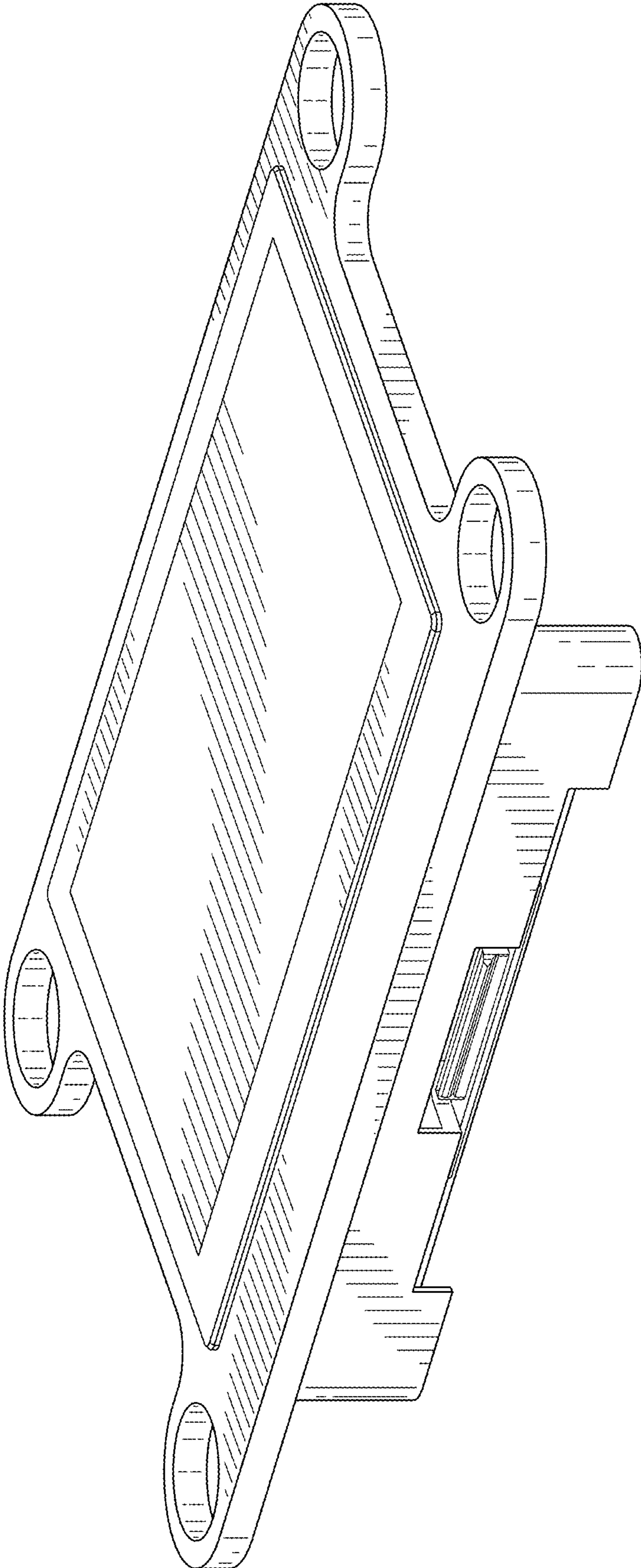


FIG. 1

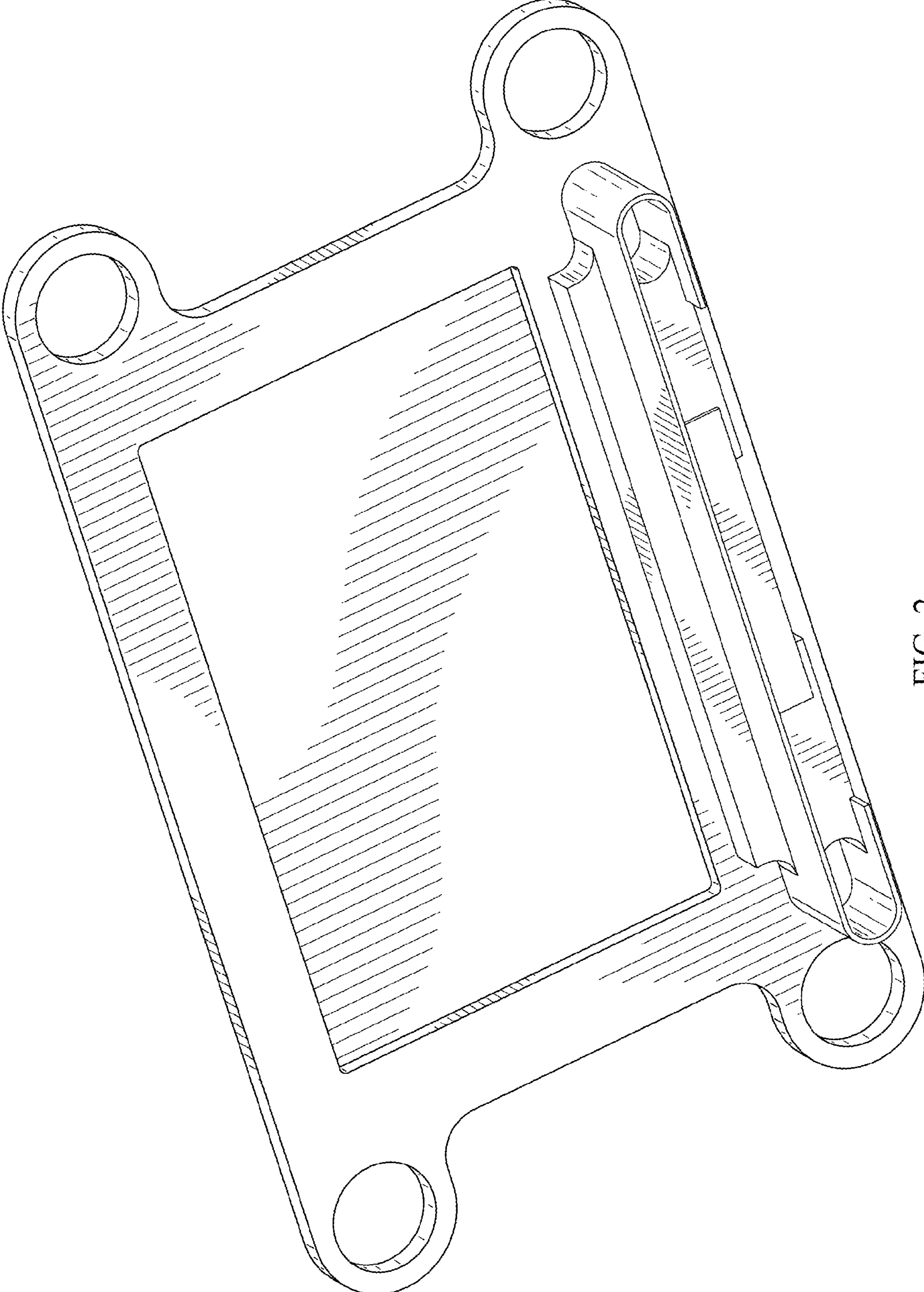


FIG. 2

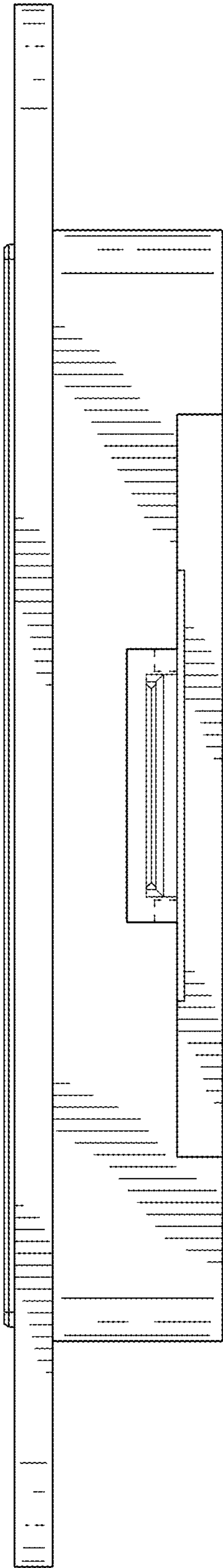


FIG. 3

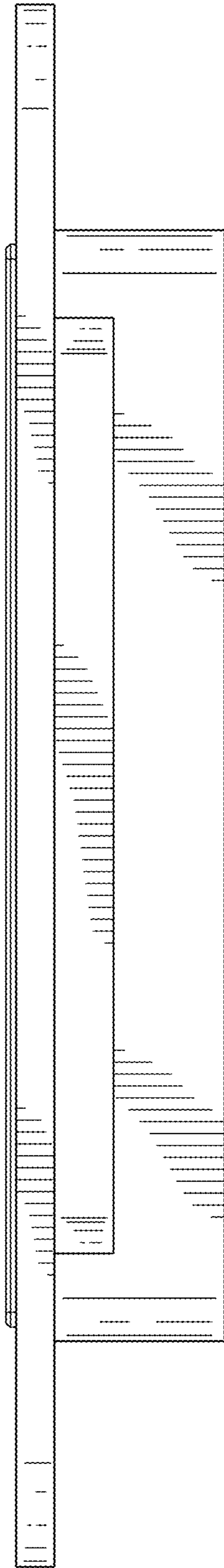


FIG. 4

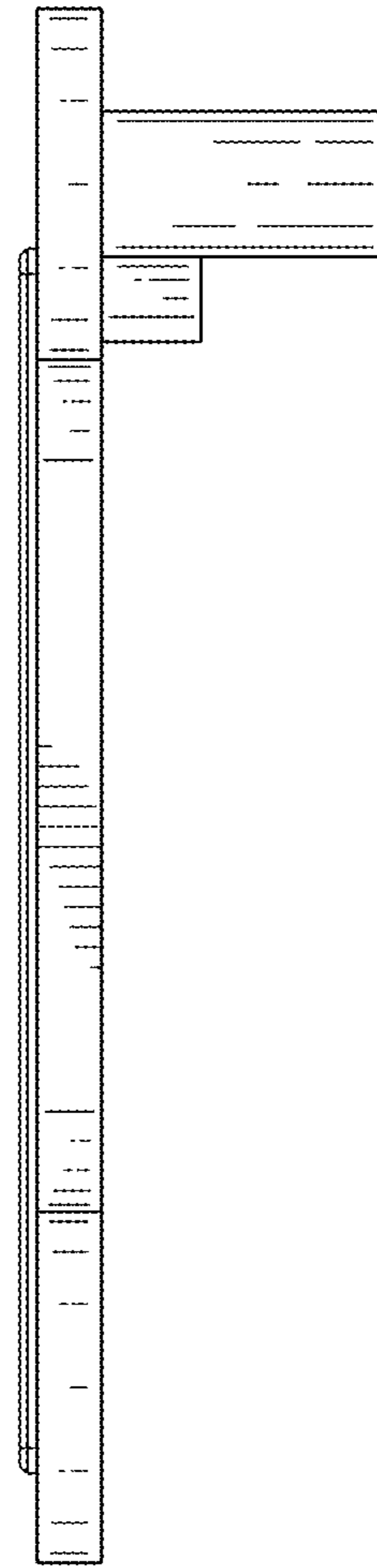


FIG. 5

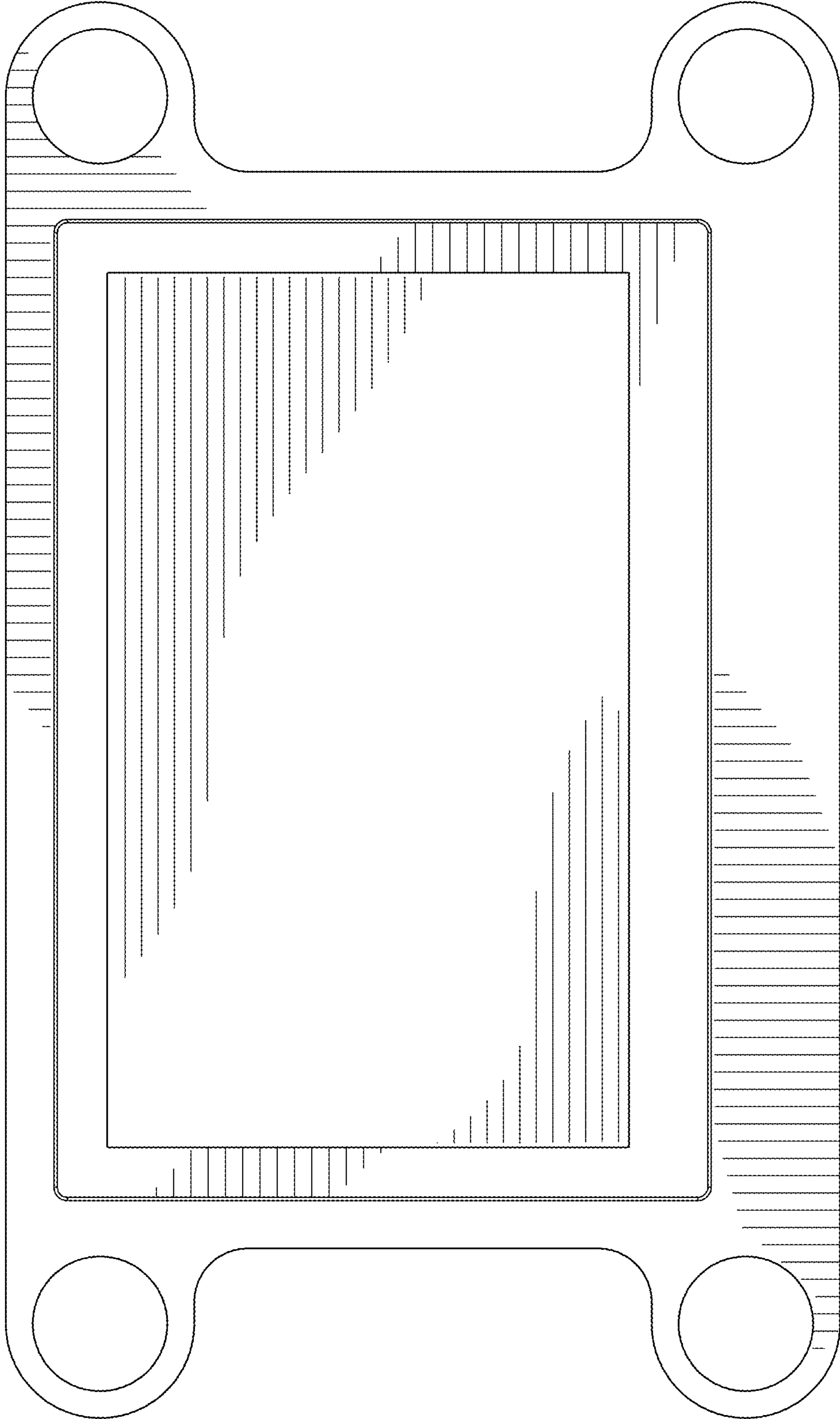


FIG. 6

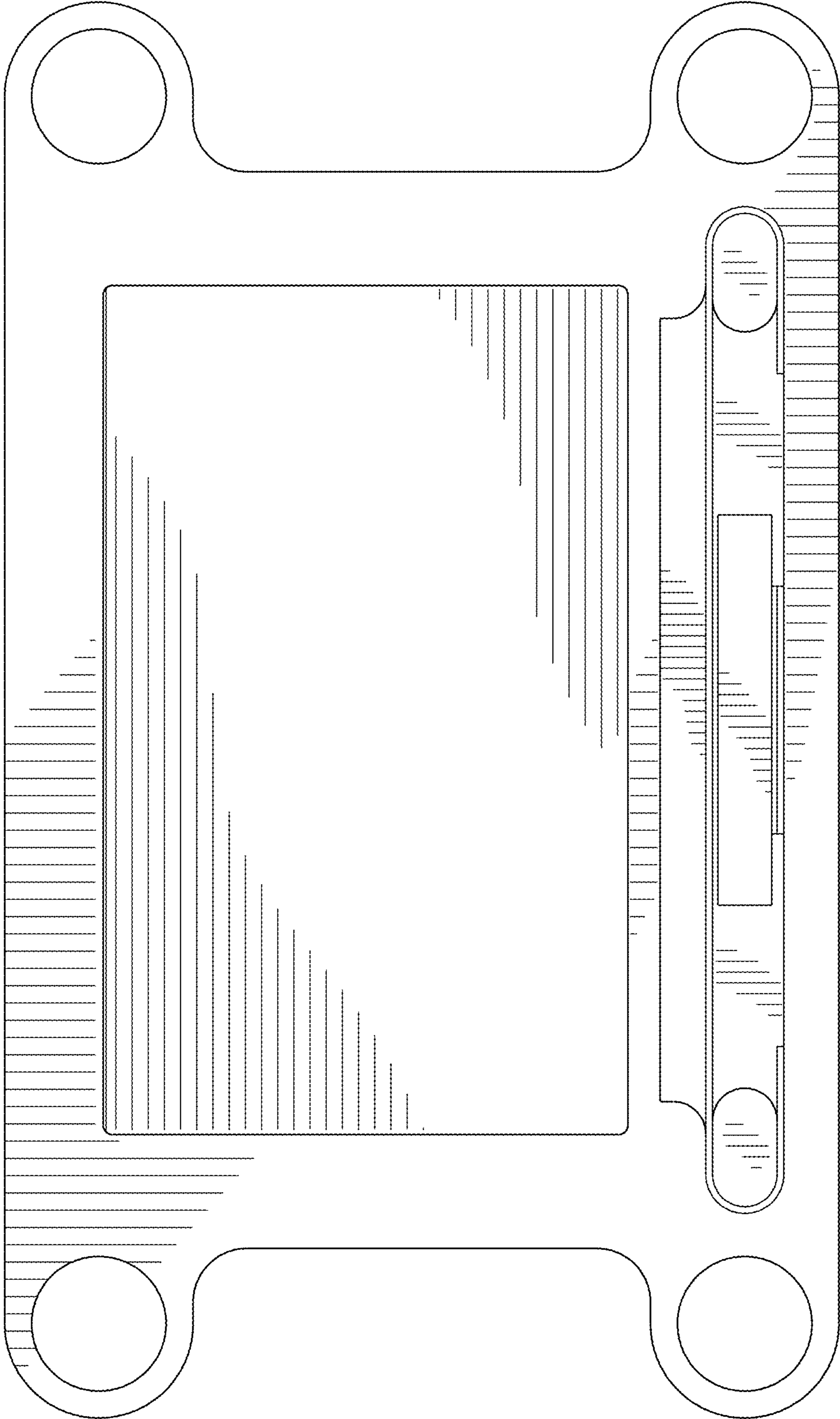


FIG. 7