



US00D989134S

(12) **United States Design Patent**
Eble

(10) **Patent No.:** **US D989,134 S**
(45) **Date of Patent:** **** Jun. 13, 2023**

(54) **TOOLING FOR A BLOW MOLDING APPARATUS**

D446,794 S * 8/2001 Pinchot D15/136
6,277,321 B1 8/2001 Vaillencourt et al.
D664,011 S * 7/2012 Affonso D7/665
8,881,937 B2 11/2014 Derrien et al.

(71) Applicant: **Pretium Packaging, L.L.C.**,
Chesterfield, MO (US)

(Continued)

(72) Inventor: **Raymond C. Eble**, Sugarloaf, PA (US)

FOREIGN PATENT DOCUMENTS

(73) Assignee: **Pretium Packaging, L.L.C.**,
Chesterfield, MO (US)

WO 2010058098 A2 5/2010

(**) Term: **15 Years**

(21) Appl. No.: **29/697,535**

OTHER PUBLICATIONS

(22) Filed: **Jul. 9, 2019**

Mestech, "Customize plastic blow mold tooling, blowing molding professional company", (site visited Jan. 23, 2023), GlobalSources.com website, URL:<<https://www.globalsources.com/Blow-mold/plastic-blow-mold-1184529497p.htm>> (Year: 2023).*

(51) **LOC (14) Cl.** **15-09**

(Continued)

(52) **U.S. Cl.**
USPC **D15/136**

(58) **Field of Classification Search**
USPC D24/100, 108, 112, 130, 232; D8/71,
D8/383, 396, 397, 399; D9/435, 445,
D9/452, 453; D7/672; D15/123, 128,
D15/135, 136, 138, 139, 140, 143
CPC B29C 33/20; B29C 33/424; B29C 39/26;
B29C 39/026; B29C 49/06; B29C 49/28;
B29C 49/48; B29C 2949/28; B29C
2949/302; A61M 37/0015

Primary Examiner — Calvin E Vansant
Assistant Examiner — Mark T. Philipps
(74) *Attorney, Agent, or Firm* — Armstrong Teasdale LLP

See application file for complete search history.

(57) **CLAIM**

I claim the ornamental design for tooling for a blow molding apparatus, as shown and described.

(56) **References Cited**

U.S. PATENT DOCUMENTS

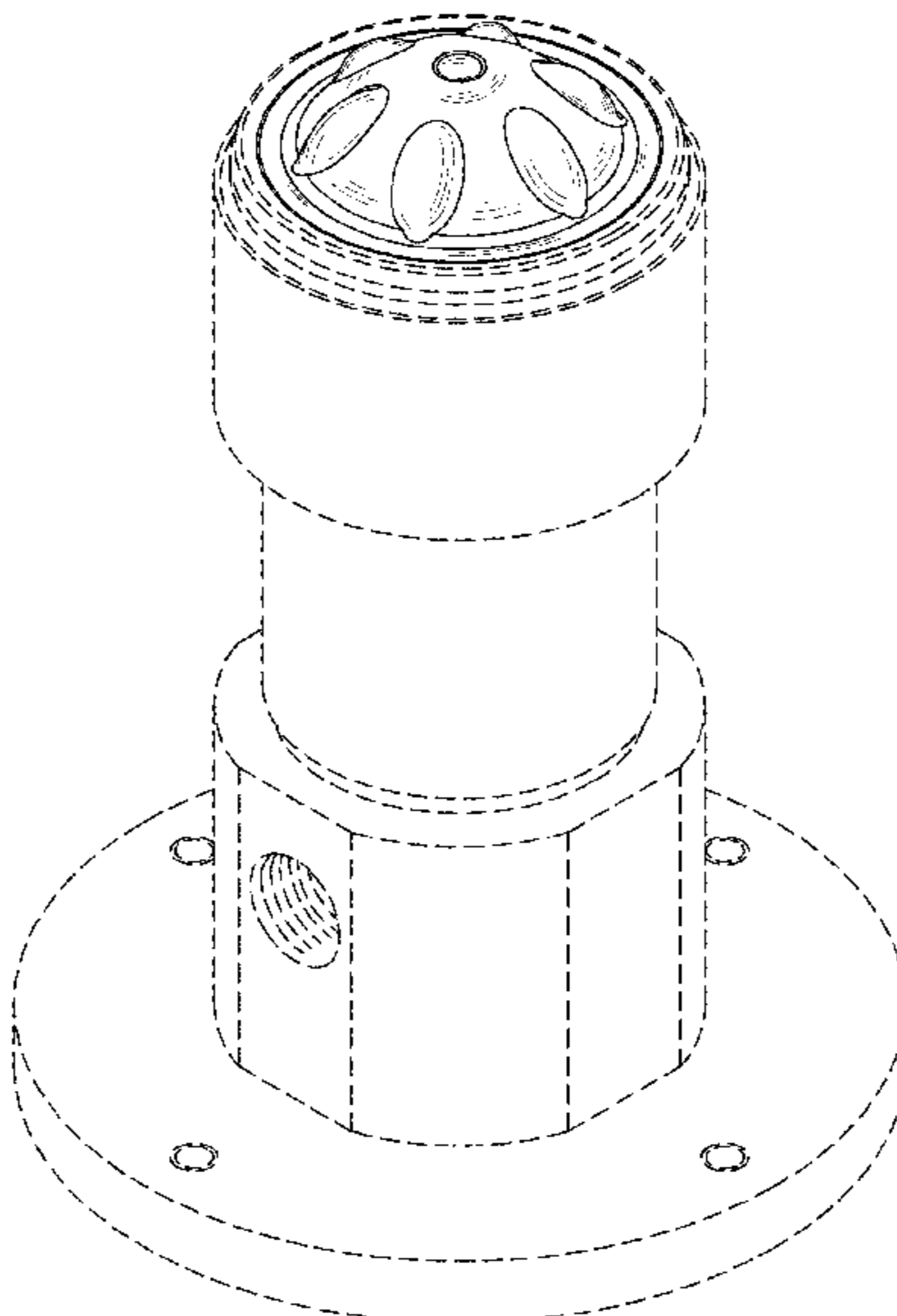
2,212,328 A * 8/1940 Scurlock A47J 19/023
99/497
4,036,926 A 7/1977 Chang
4,177,239 A 12/1979 Gittner et al.
4,283,215 A 8/1981 Sherman
4,465,199 A 8/1984 Aoki
4,769,206 A 9/1988 Reymann et al.
5,635,226 A 6/1997 Koda et al.
6,224,817 B1 5/2001 Villers

DESCRIPTION

FIG. 1 is a perspective view of tooling for a blow molding apparatus showing the new design.
FIG. 2 is a front view thereof.
FIG. 3 is a rear view thereof.
FIG. 4 is right side view thereof.
FIG. 5 is a left side view thereof.
FIG. 6 is a top view thereof.
FIG. 7 is a bottom view thereof; and,
FIG. 8 is a cross-sectional view thereof taken along line "8-8" of FIG. 6.

In these drawings, the solid lines illustrate the claimed ornamental design, whereas the broken lines illustrate portions of the tooling for a blow molding apparatus that form no part of the claimed design.

1 Claim, 8 Drawing Sheets



(56)

References Cited

U.S. PATENT DOCUMENTS

D850,220 S * 6/2019 Lu D7/665
D868,122 S * 11/2019 Rose D15/139
D924,065 S * 7/2021 Eble D9/558
D928,320 S * 8/2021 Sakazaki D24/146
D959,696 S * 8/2022 Matamoros Vargas D24/226
D963,718 S * 9/2022 Congdon D15/139
2010/0295360 A1 * 11/2010 Kramer E21C 35/197
299/110
2020/0157938 A1 * 5/2020 Congdon E02F 9/2866

OTHER PUBLICATIONS

Beta Designs, 33-Big, (site visited Jan. 23, 2023) BetaDesign.in,
URL:<<https://www.betadesign.in/images/33-big.jpg>> (Year: 2023).*
Pretium Packaging, PET 2-stage Cosmo Rounds, (site visited Jan.
23, 2023) PretiumPkg.com website, URL:<<https://www.pretiumpkg.com/wp-content/uploads/2020/06/1045247.png>> (Year: 2023).*

* cited by examiner

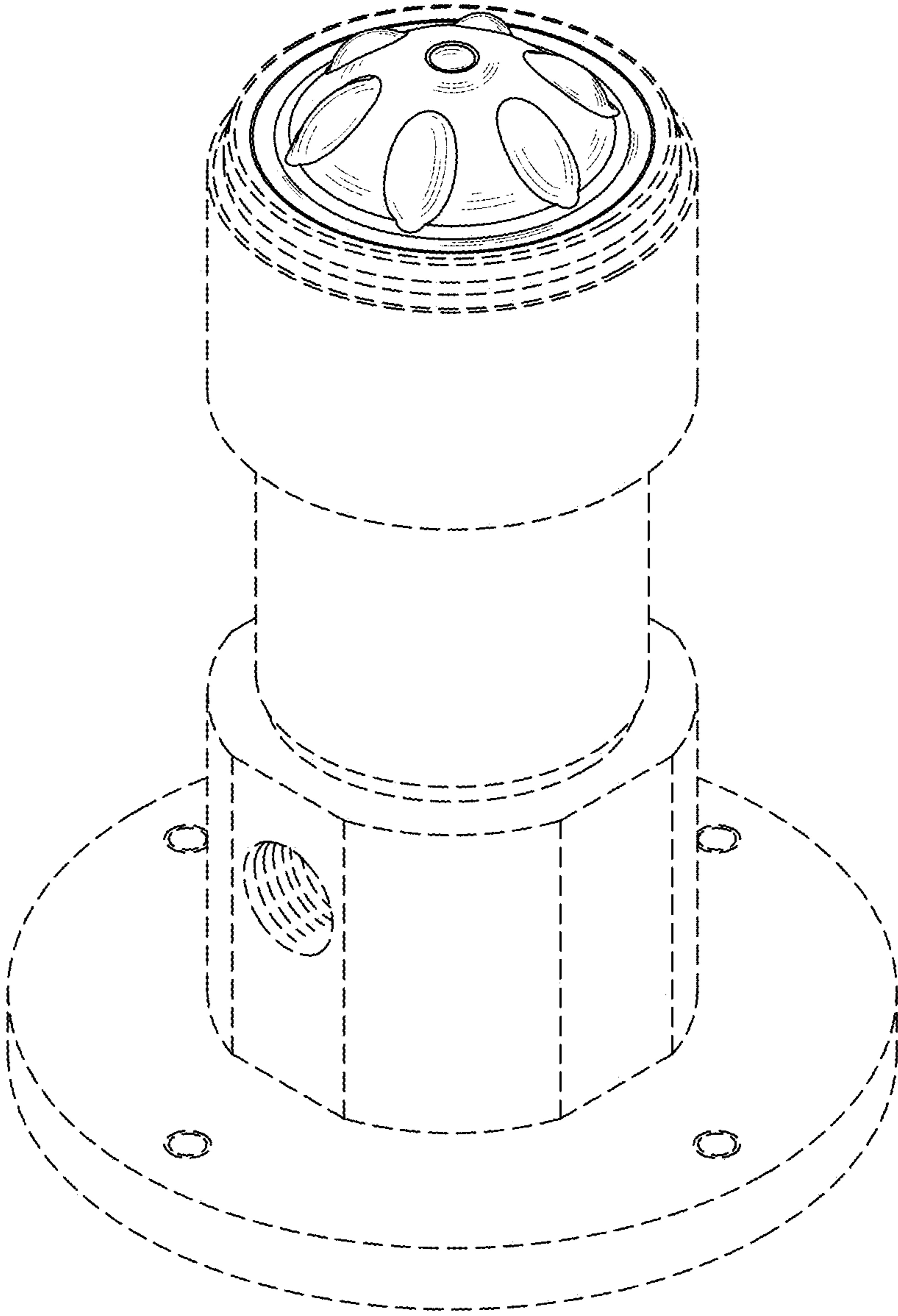


FIG. 1

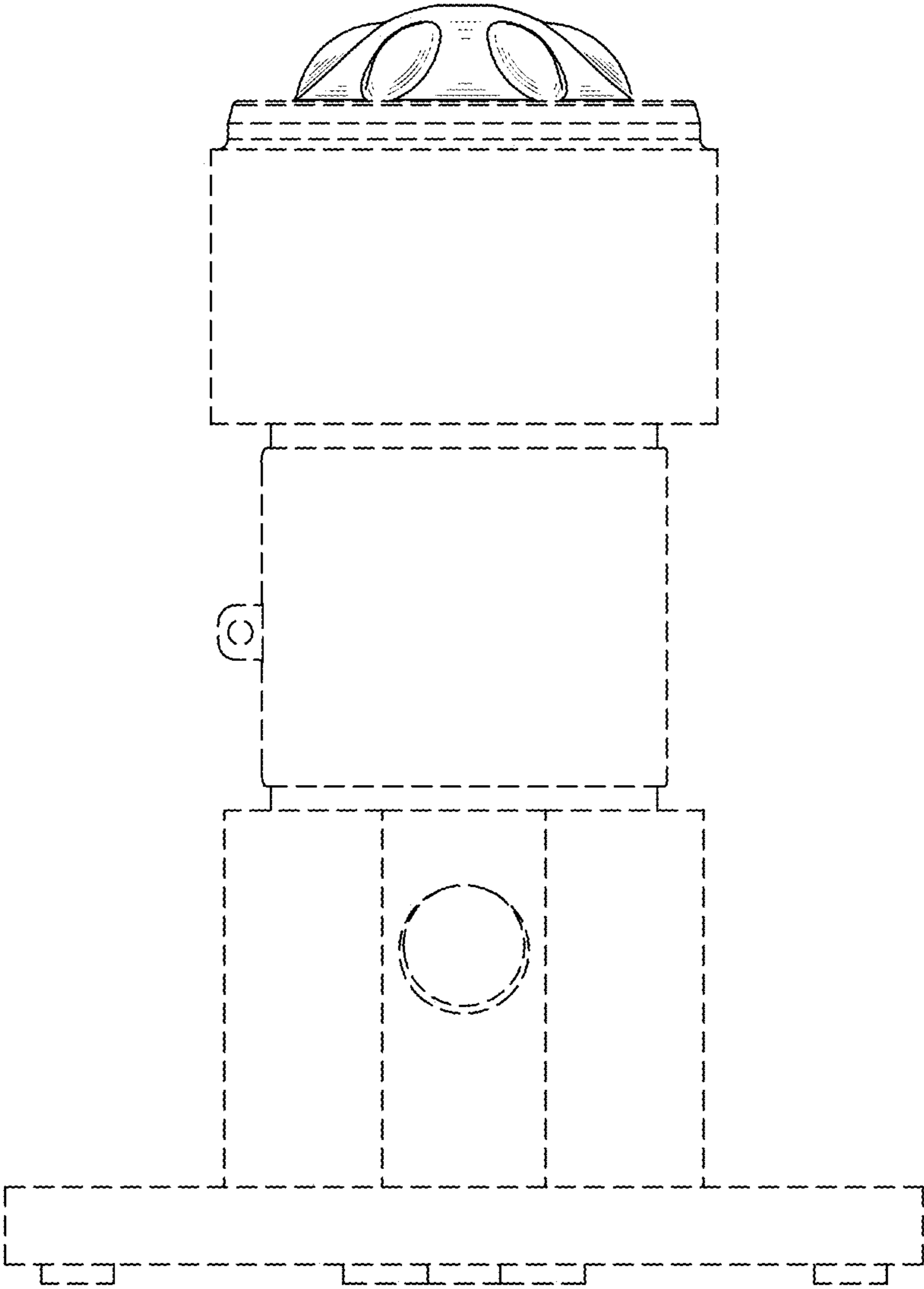


FIG. 2

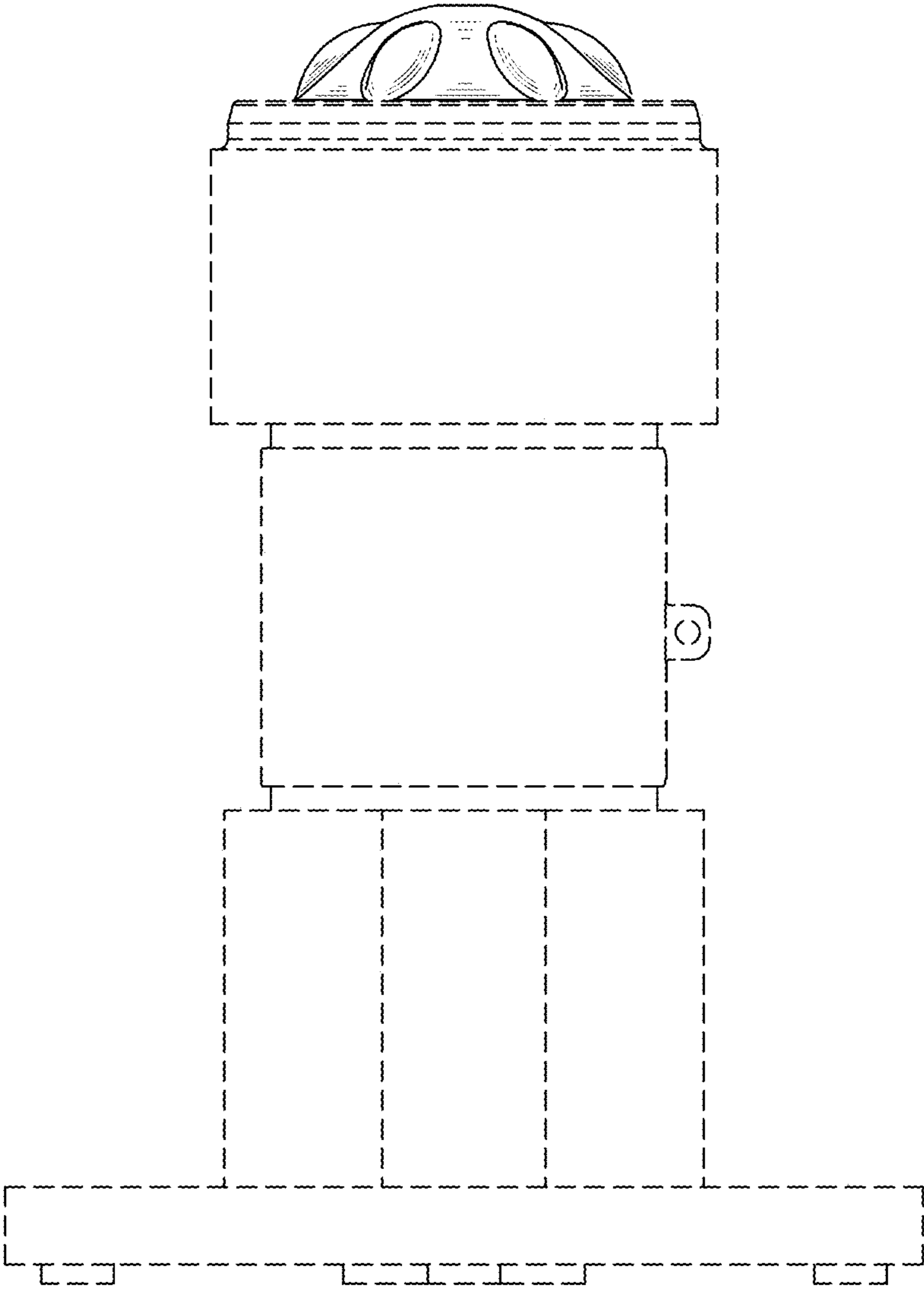


FIG. 3

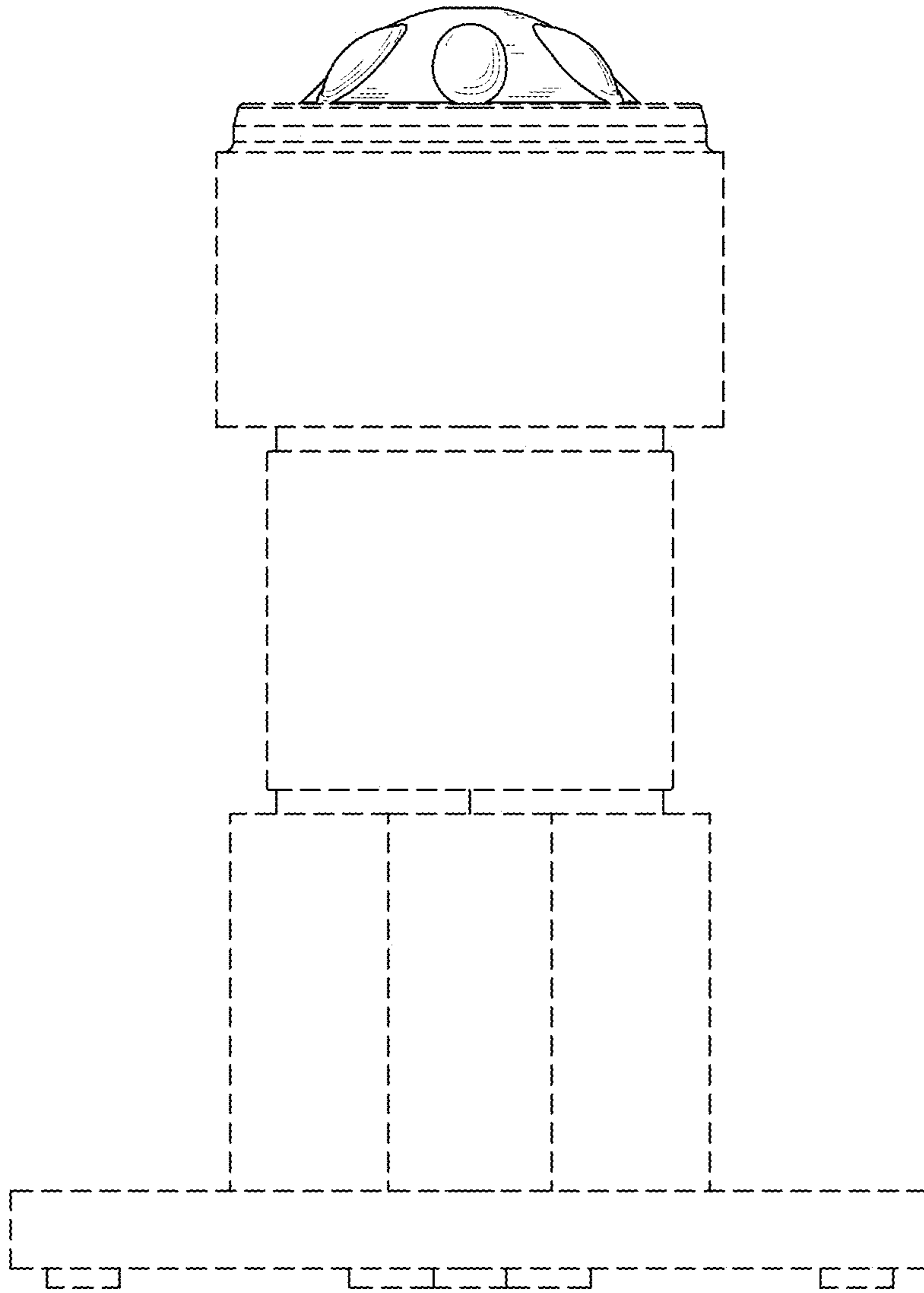


FIG. 4

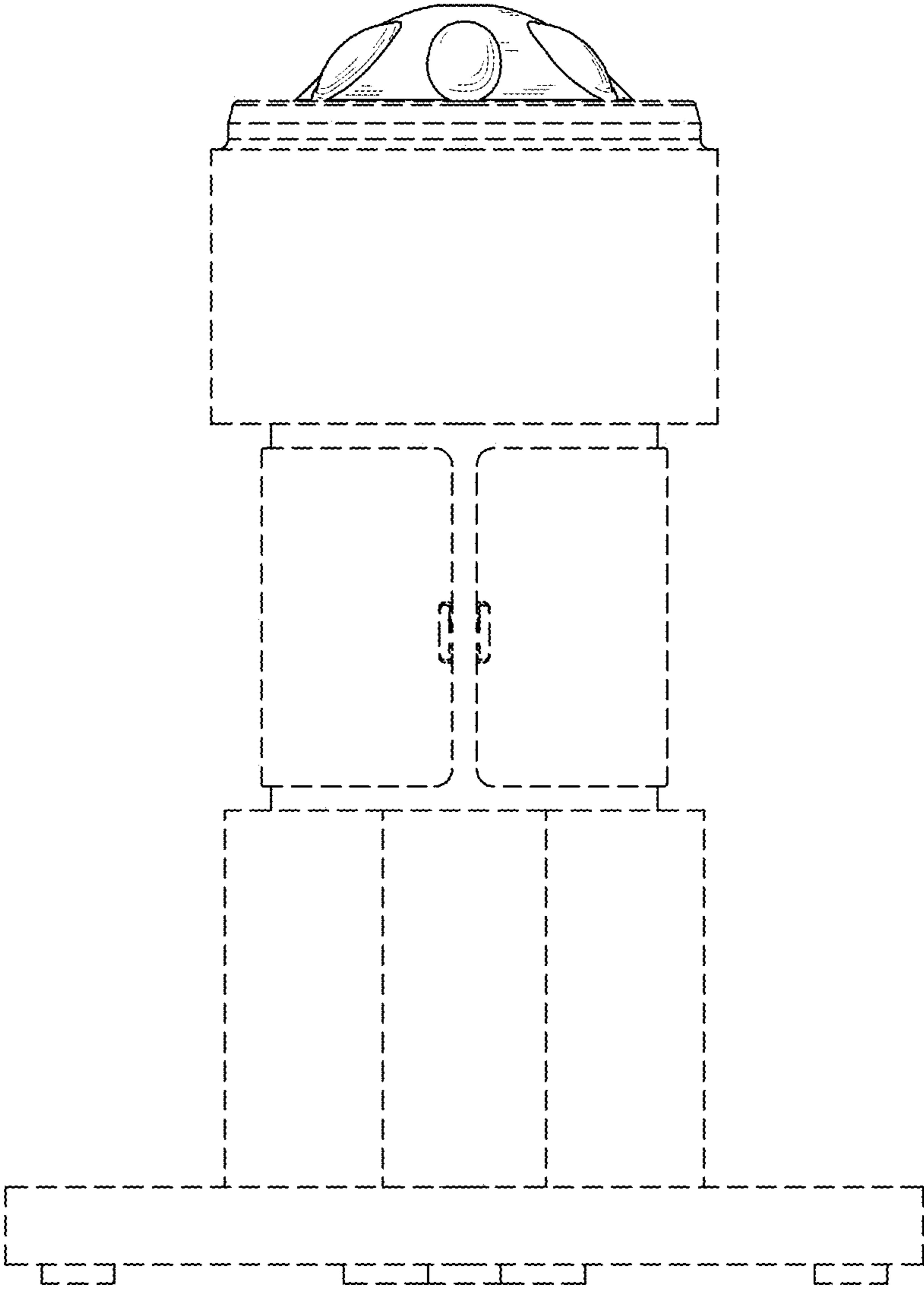


FIG. 5

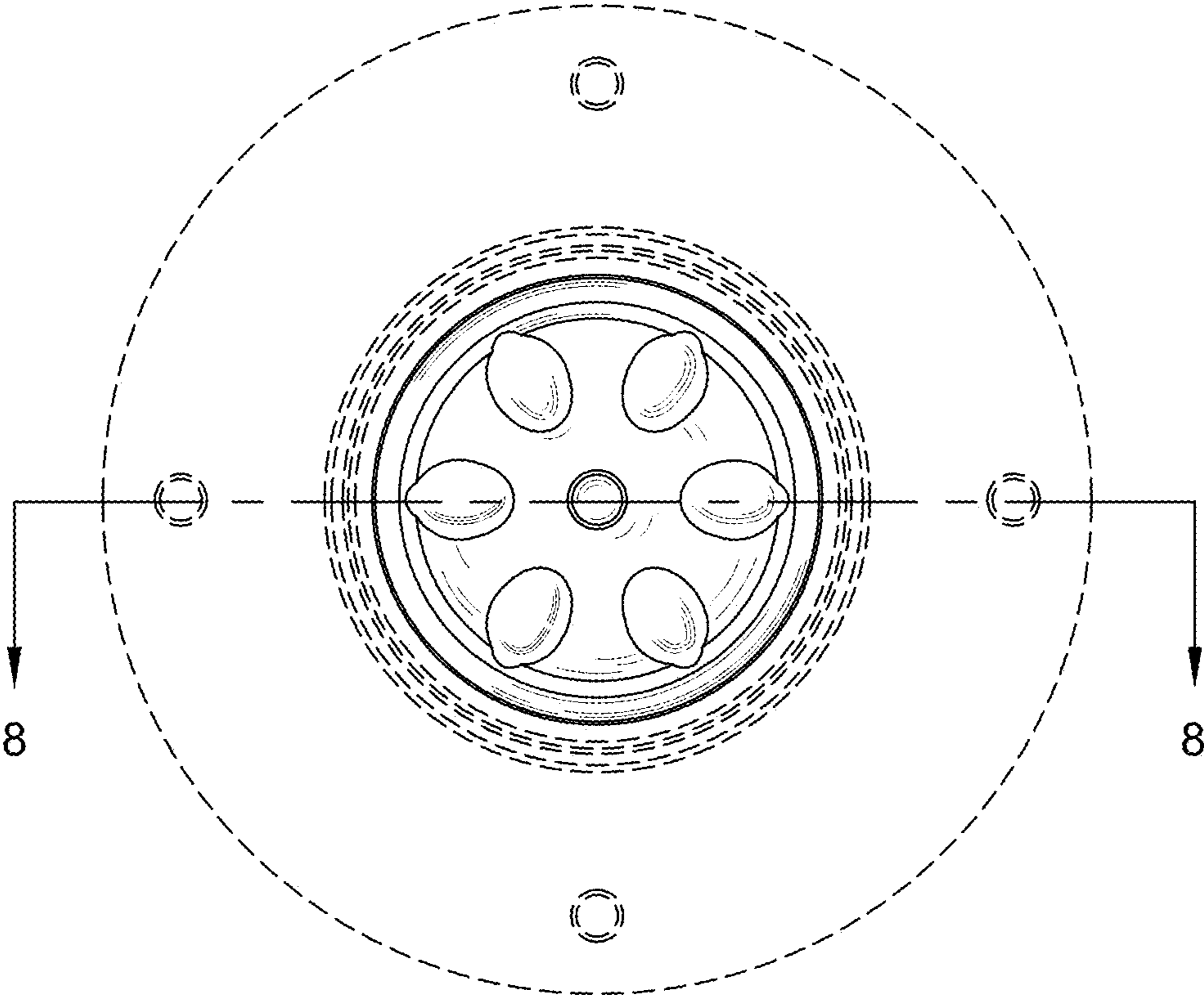


FIG. 6

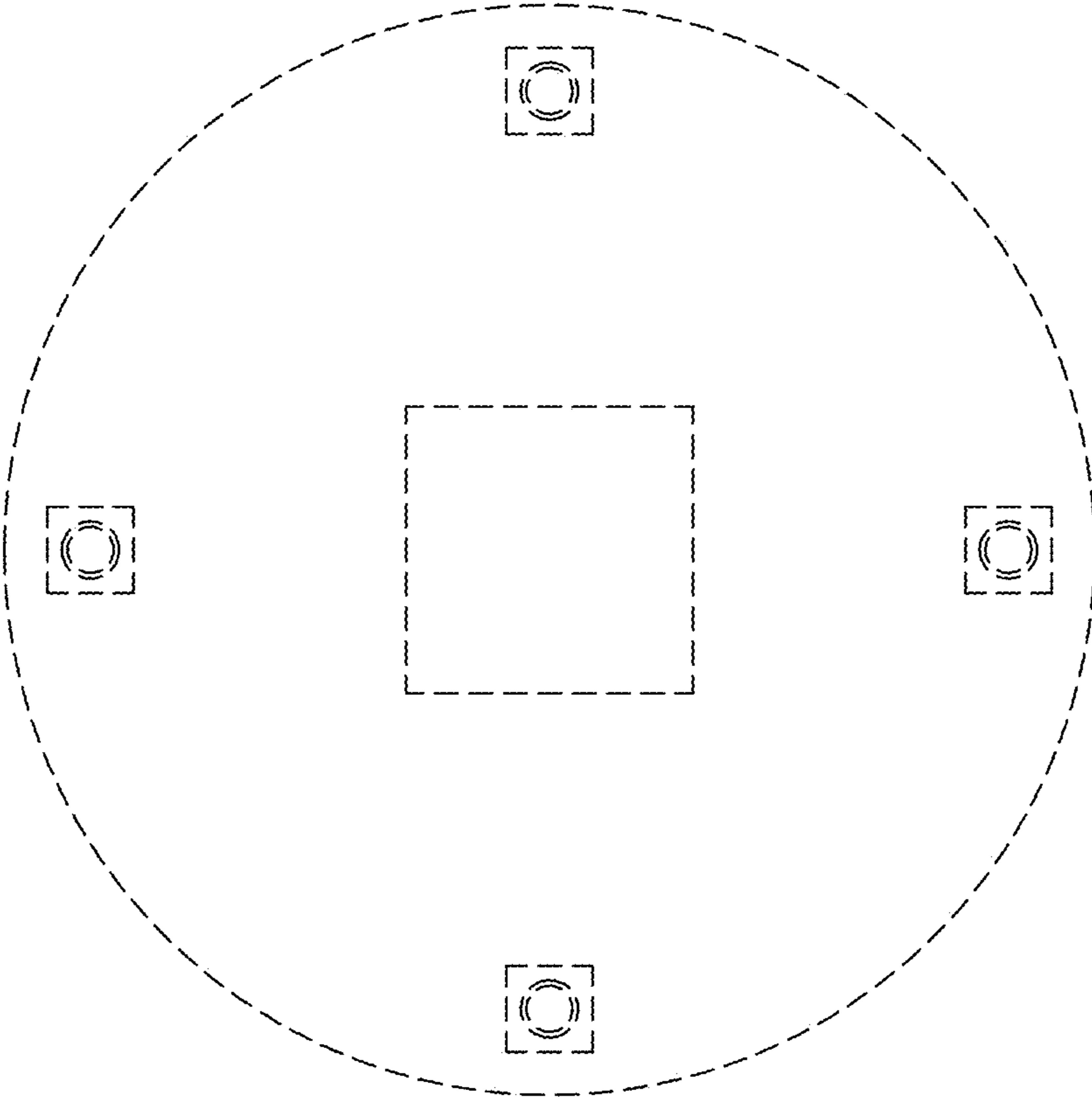


FIG. 7

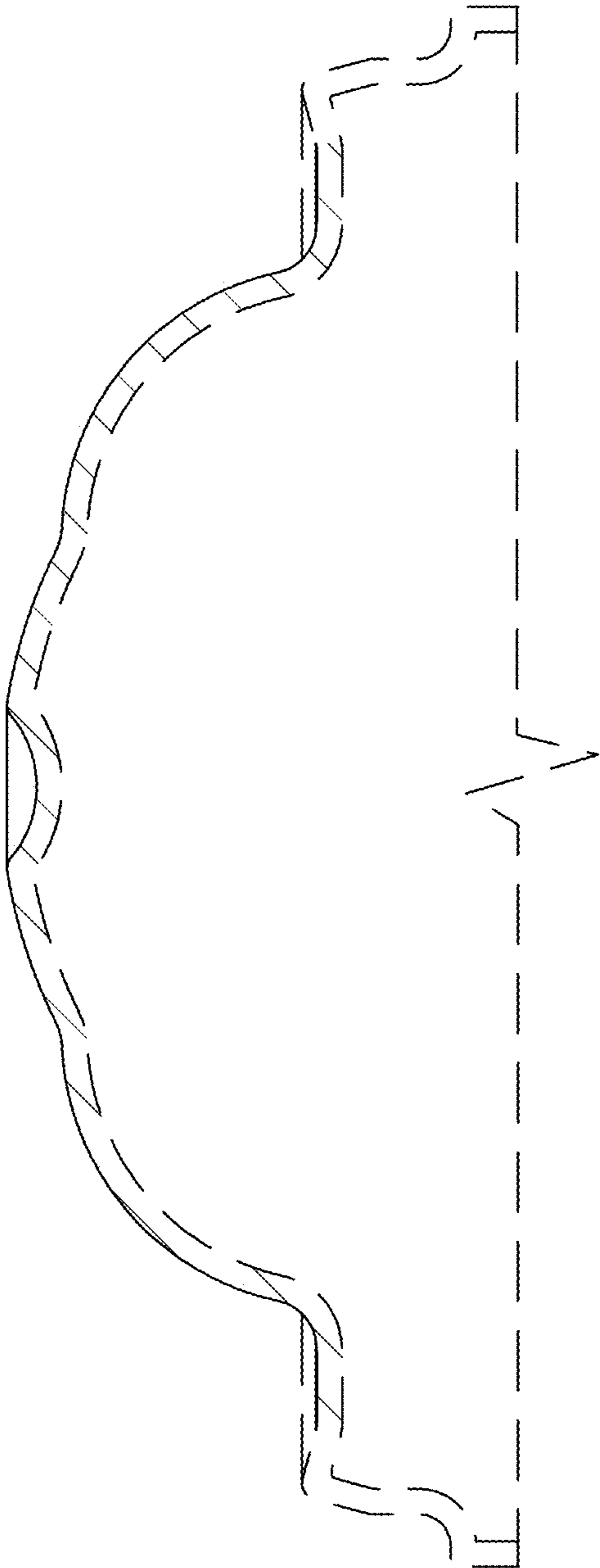


FIG. 8