



US00D989133S

(12) **United States Design Patent**
Bassir et al.

(10) **Patent No.: US D989,133 S**
(45) **Date of Patent: ** Jun. 13, 2023**

(54) **POST-CURING CHAMBER**

- (71) Applicant: **SprintRay Inc.**, Los Angeles, CA (US)
- (72) Inventors: **Hossein Bassir**, Los Angeles, CA (US);
Ferdinand Laurino, Los Angeles, CA (US)
- (73) Assignee: **SprintRay, Inc.**, Los Angeles, CA (US)
- (**) Term: **15 Years**
- (21) Appl. No.: **29/821,518**
- (22) Filed: **Dec. 30, 2021**

Related U.S. Application Data

- (63) Continuation-in-part of application No. 17/511,881, filed on Oct. 27, 2021, now Pat. No. 11,433,619.
- (51) **LOC (14) Cl.** **15-09**
- (52) **U.S. Cl.**
USPC **D15/144.1; D15/122**
- (58) **Field of Classification Search**
USPC D7/326, 328, 350.3; D15/135, 144,
D15/144.1, 144.2, 199; D24/163, 176,
D24/181, 216, 217, 229, 231, 232
(Continued)

(56) **References Cited**

U.S. PATENT DOCUMENTS

- 7,114,943 B1 10/2006 Fong et al.
 - 7,556,490 B2 7/2009 Wicker et al.
- (Continued)

FOREIGN PATENT DOCUMENTS

- CN 103935035 A 7/2014
 - CN 105500700 B 12/2018
- (Continued)

OTHER PUBLICATIONS

SprintRay, ProCure 2, (site visited Oct. 12, 2022), SprintRay website, URL:<<https://sprintray.com/procure-2-advanced-dental-3d-printing-post-curing/>> (Year: 2022).*

(Continued)

Primary Examiner — Calvin E Vansant

Assistant Examiner — Mark T. Philipps

(74) *Attorney, Agent, or Firm* — Jafari Law Group, Inc.

(57) **CLAIM**

The ornamental design for a post-curing chamber, as shown and described.

DESCRIPTION

FIG. 1 illustrates a right-side elevated perspective view of a post-curing chamber;

FIG. 2 illustrates a left-side elevated perspective view thereof;

FIG. 3 illustrates a front view thereof;

FIG. 4 illustrates a posterior view thereof;

FIG. 5 illustrates a top view thereof;

FIG. 6 illustrates a bottom view thereof;

FIG. 7 illustrates a right-side view thereof;

FIG. 8 illustrates a left-side view thereof;

FIG. 9 illustrates a right-side elevated perspective view, showing a lid-opened state thereof;

FIG. 10 illustrates a left-side elevated perspective view, showing a lid-opened state thereof; and

FIG. 11 illustrates a top view, showing a lid-opened state thereof;

FIG. 12 illustrates a bottom view, showing a lid-opened state thereof;

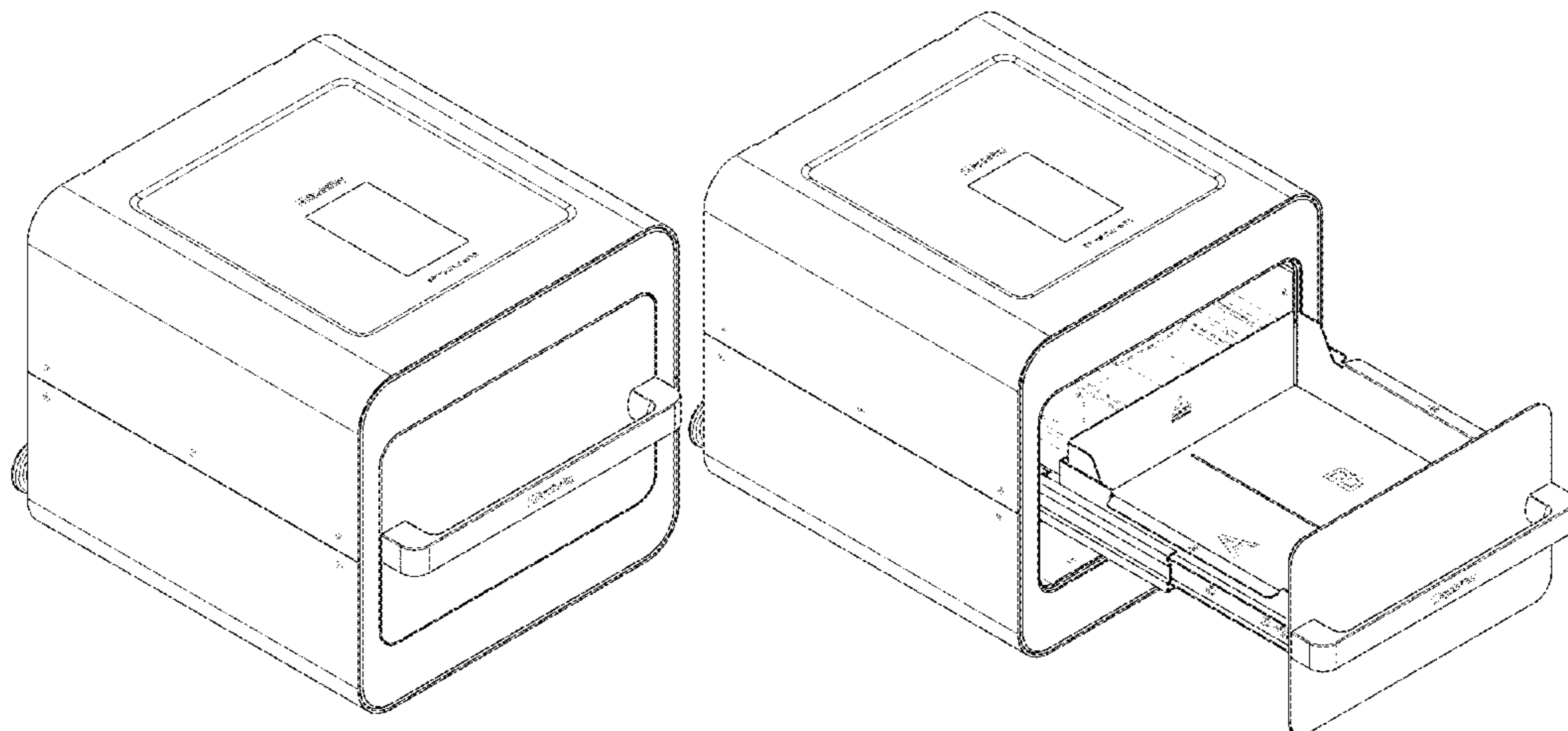
FIG. 13 illustrates a right-side view, showing a lid-opened state thereof;

FIG. 14 illustrates a left-side view, showing a lid-opened state thereof; and

FIG. 15 illustrates a left-side perspective exploded view, showing a lid-opened state with the inner tray removed for ease of illustration.

The broken lines shown represent portions of the post-curing chamber that form no part of the claimed design.

1 Claim, 15 Drawing Sheets



US D989,133 S

Page 2

- (58) **Field of Classification Search**
CPC A61C 13/00; A61C 13/0019; B33Y 50/02;
B33Y 40/20; B33Y 10/00
See application file for complete search history.

(56) **References Cited**

U.S. PATENT DOCUMENTS

D763,330 S * 8/2016 Olivé D15/135
D770,545 S * 11/2016 Olivé D15/122
D777,808 S * 1/2017 Chang D15/135
D780,504 S * 3/2017 Terao A47J 37/0704
D7/350.1
D819,821 S * 6/2018 Yamanaka D24/163
D829,485 S * 10/2018 Morenstein D7/350.1
10,357,960 B2 7/2019 Miller
D859,907 S * 9/2019 Morenstein D7/350.1
D861,409 S * 10/2019 Bhogal D7/328
D878,136 S * 3/2020 Bhogal D7/328
10,589,466 B2 3/2020 Atwood
D891,169 S * 7/2020 Gushwa D7/328
D892,532 S * 8/2020 Gushwa D7/328
10,779,915 B1 9/2020 Kaza et al.
10,857,726 B2 12/2020 Tyler et al.
D907,245 S * 1/2021 Rateike D24/232
D916,311 S * 4/2021 Yoo D24/217
D932,723 S * 10/2021 Ewin D34/11
D933,600 S * 10/2021 Wang D24/217
D941,074 S * 1/2022 Lavins D7/328
D954,487 S * 6/2022 Li D7/350.3
D955,800 S * 6/2022 Kim D7/350.1

D956,997 S * 7/2022 Lee D24/217
2014/0088751 A1 3/2014 Pridoeh et al.
2017/0007359 A1 1/2017 Kopelman et al.
2017/0100891 A1 4/2017 Meisner
2017/0355146 A1 12/2017 Buller et al.
2018/0141243 A1 5/2018 Mochizuki et al.
2018/0207863 A1 7/2018 Porter
2019/0133732 A1 5/2019 Mason
2019/0118260 A1 12/2019 Schmitt et al.

FOREIGN PATENT DOCUMENTS

CN 110549624 A 12/2019
CN 211730248 U 10/2020
CN 110978498 B 11/2020
CR 203831648 U 9/2014

OTHER PUBLICATIONS

Uniformation, UV Resin Curing Station, (Jul. 7, 2021), Amazon.com, URL:<<https://www.amazon.com/Uniformation-Large-Resin-Curing-Station/dp/B098TNQMG3>> (Year: 2021).*

Cosori, Air Fryer Toaster Oven, (Nov. 21, 2020), Amazon.com, URL:<<https://www.amazon.com/COSORI-Air-Fryer-Toaster-Oven/dp/B08K8T3W2V>> (Year: 2020).*

Aphrodite, 30W Light Room Light Unit A1, (Mar. 17, 2020), Amazon.com, URL:<<https://www.amazon.com/30W-Light-Room-Unit-A1/dp/B085ZTZWKN>> (Year: 2020).*

* cited by examiner

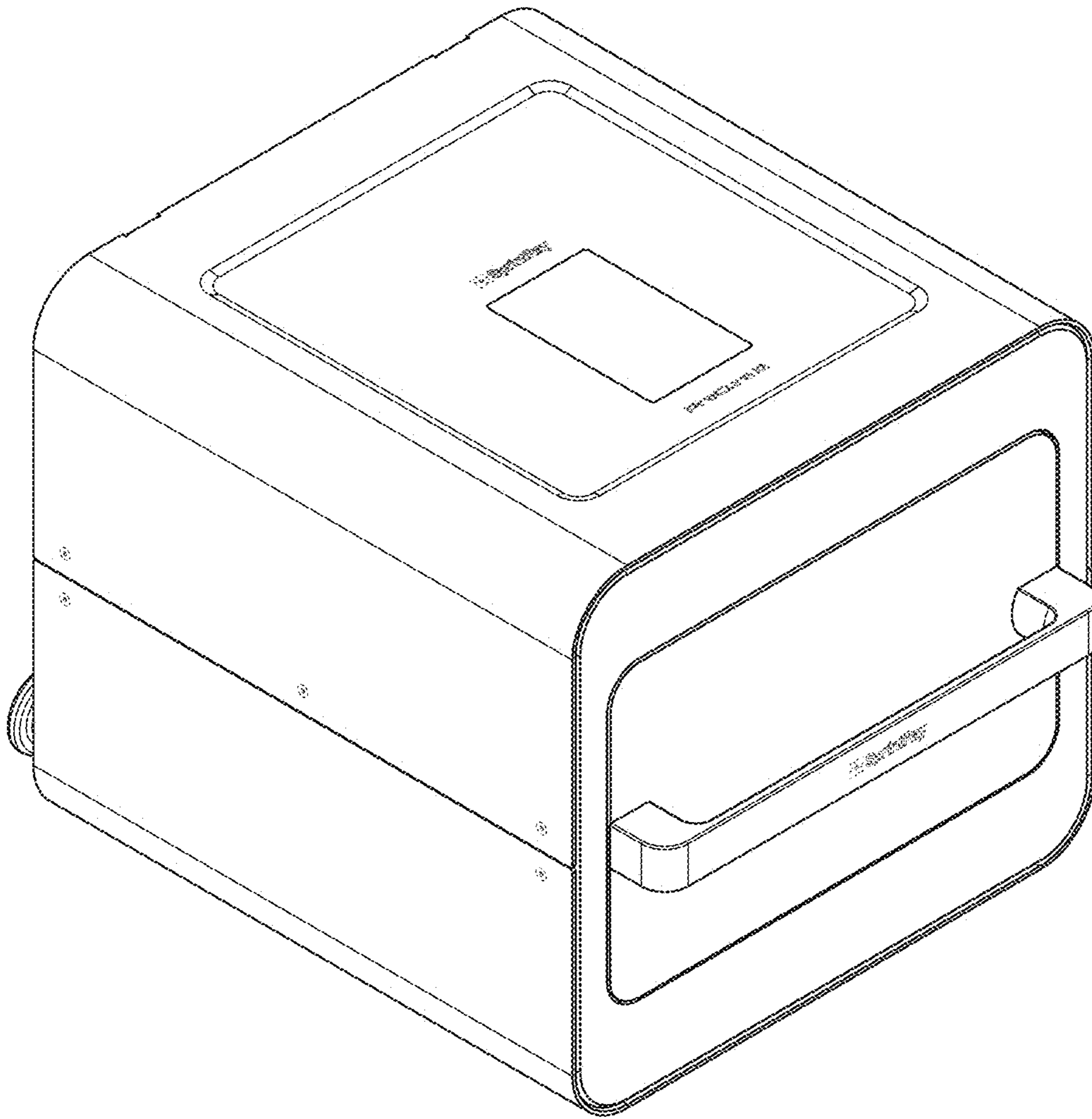


FIG. 1

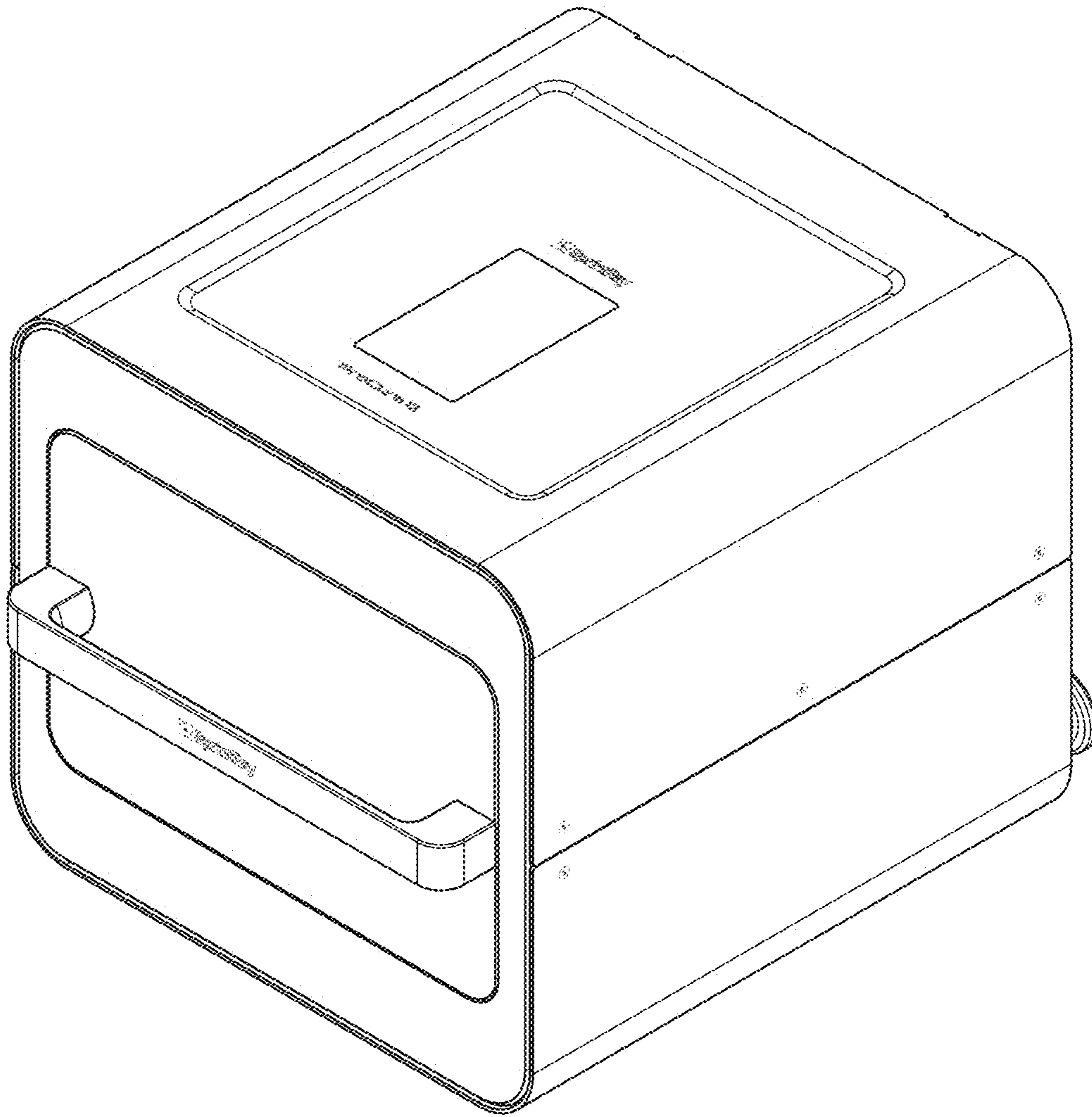


FIG. 2

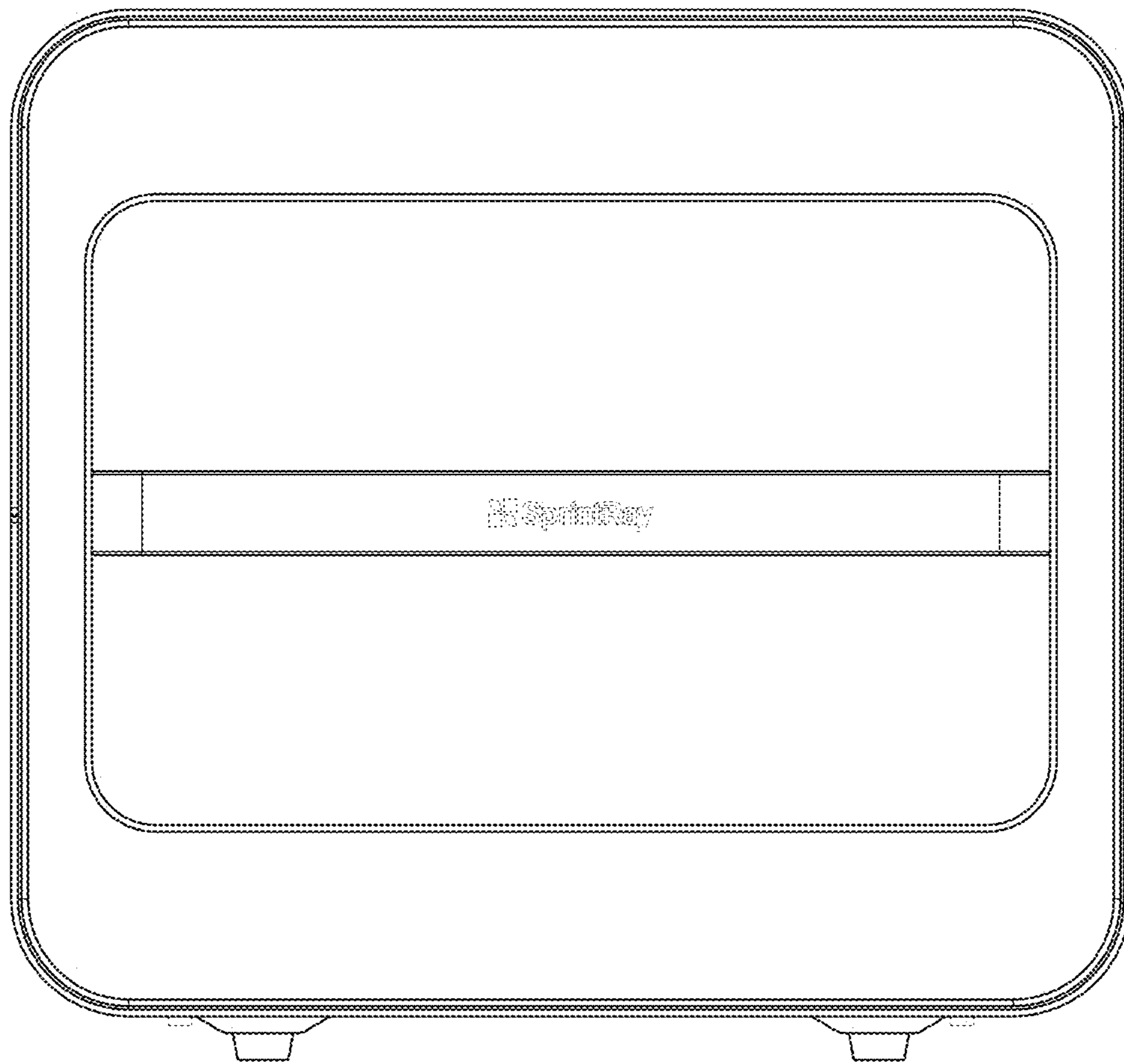


FIG. 3

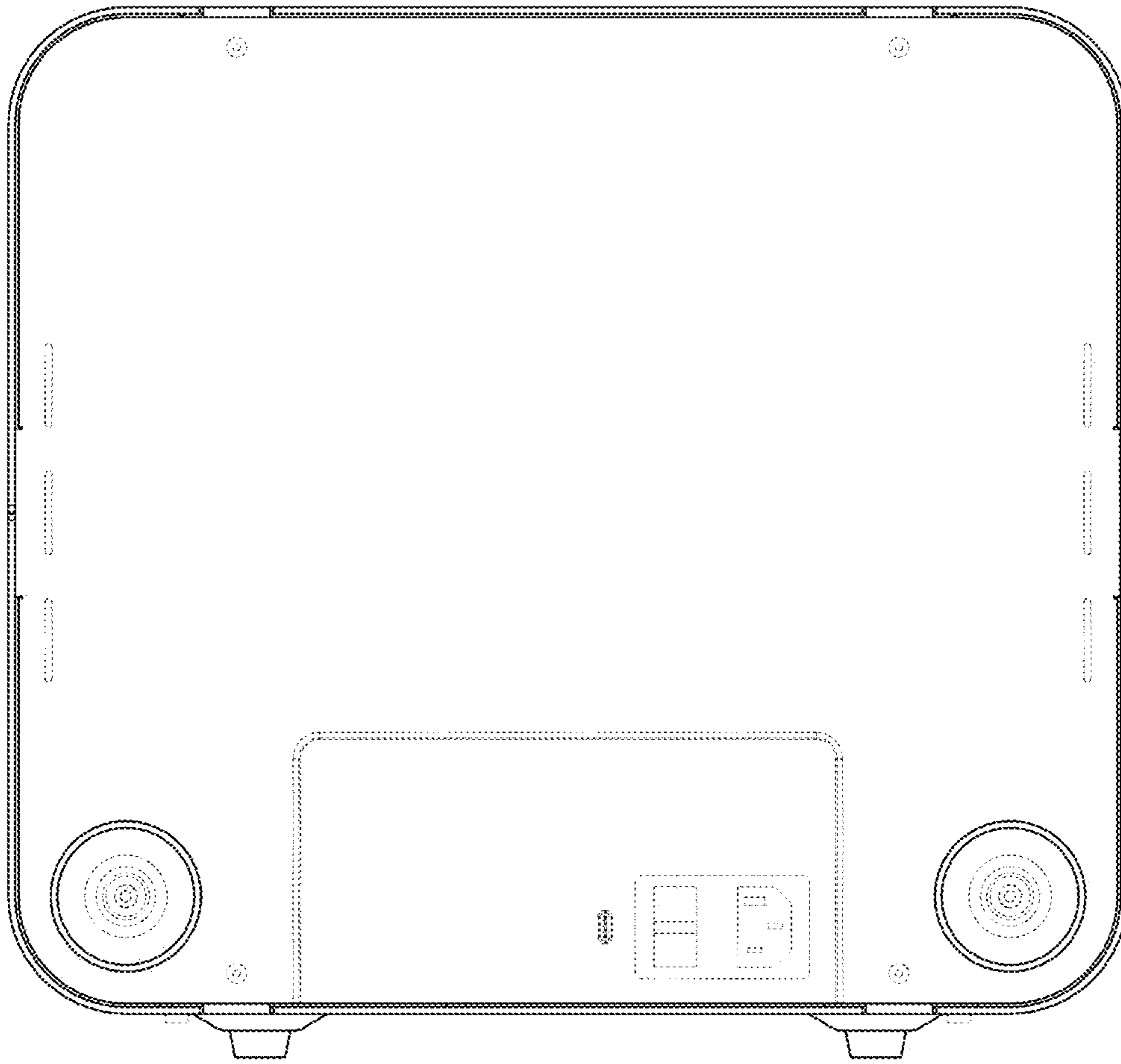


FIG. 4

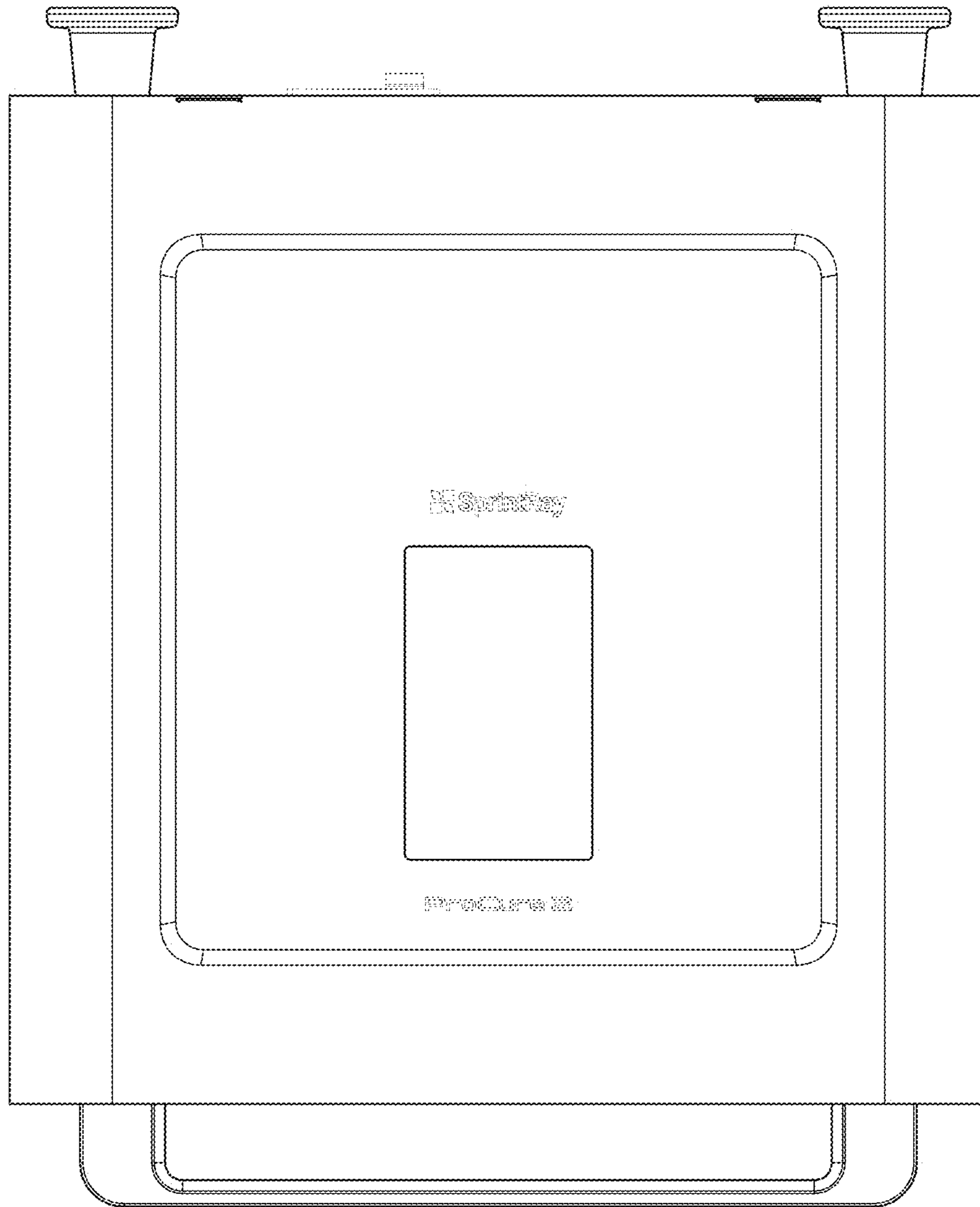


FIG. 5

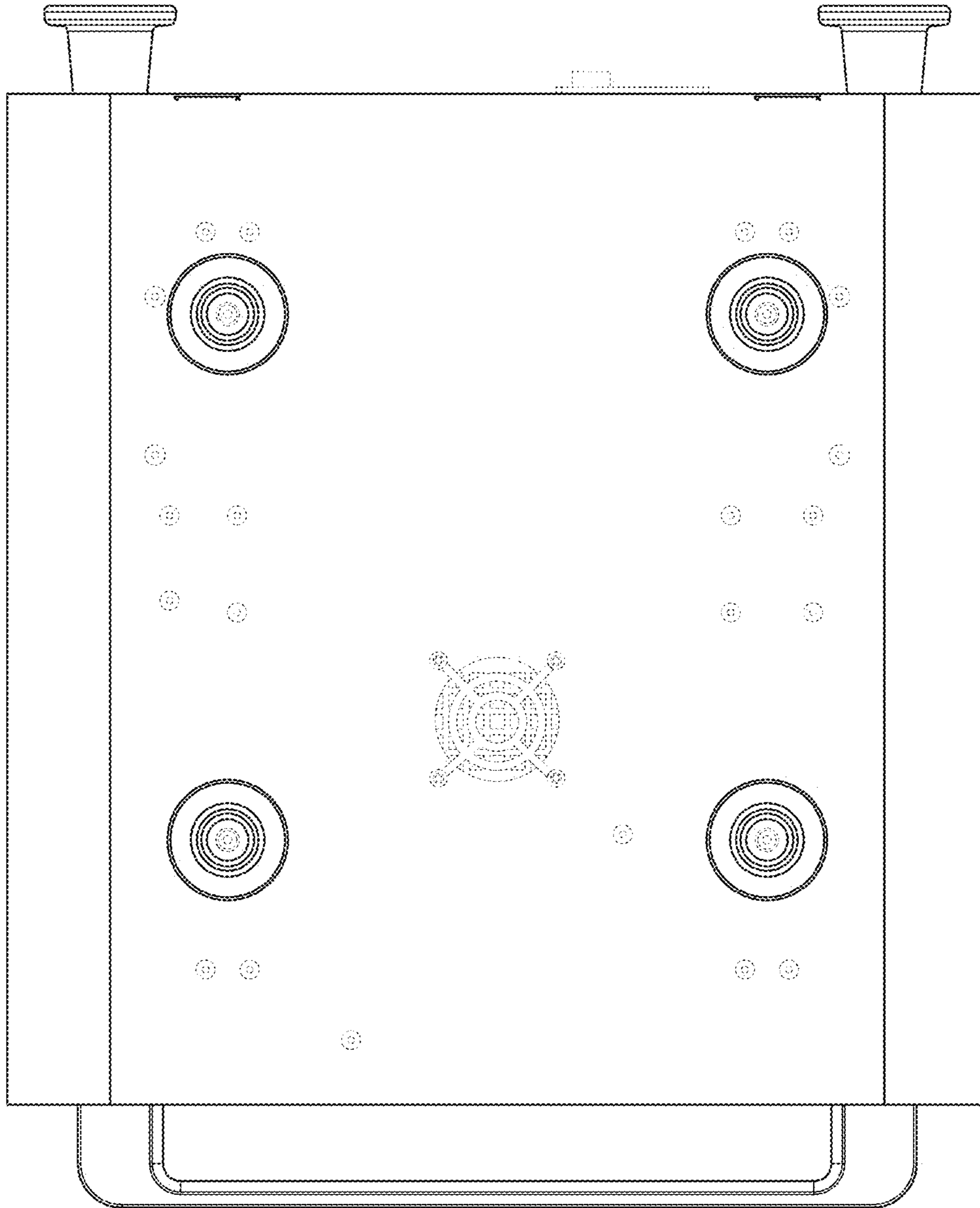


FIG. 6

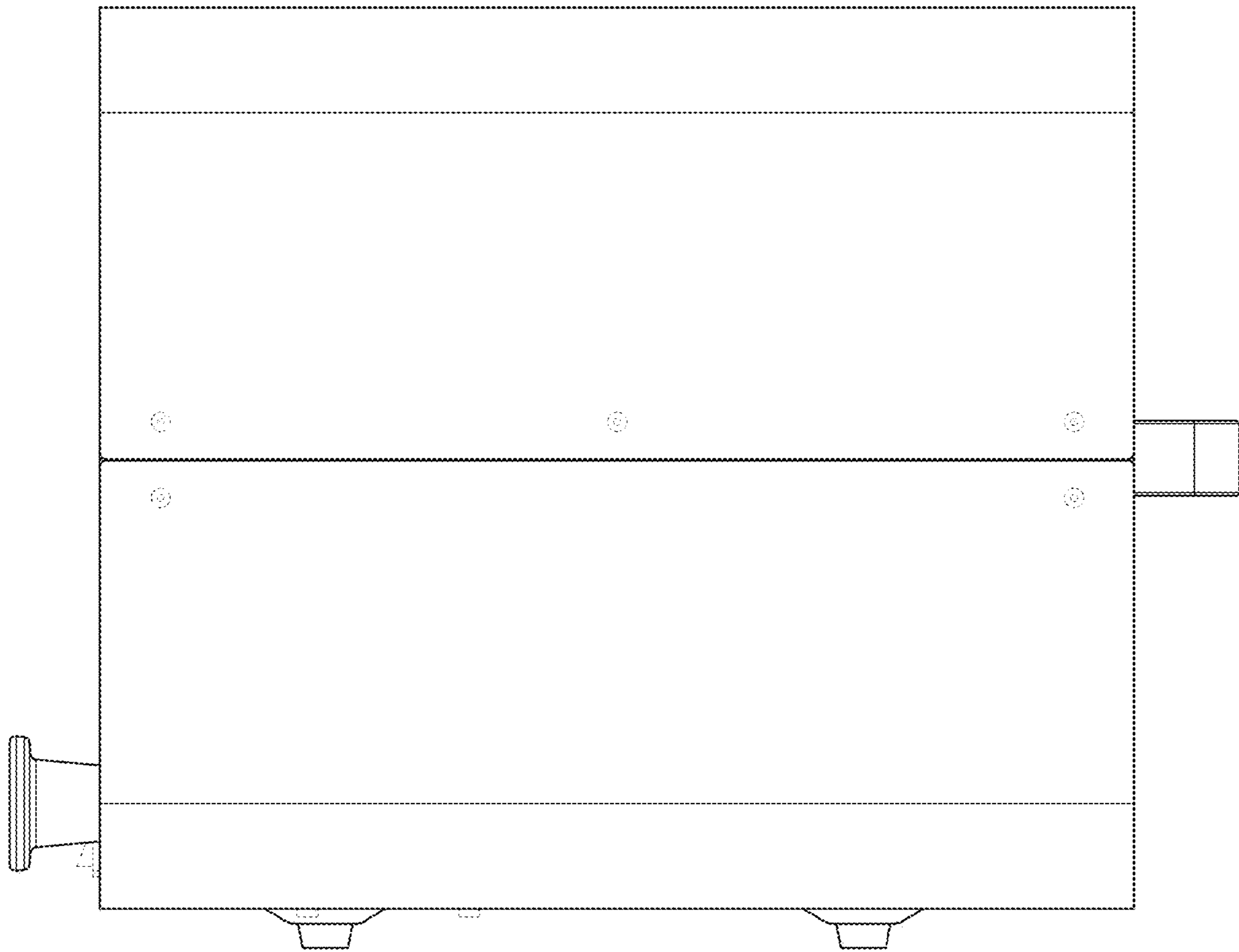


FIG. 7

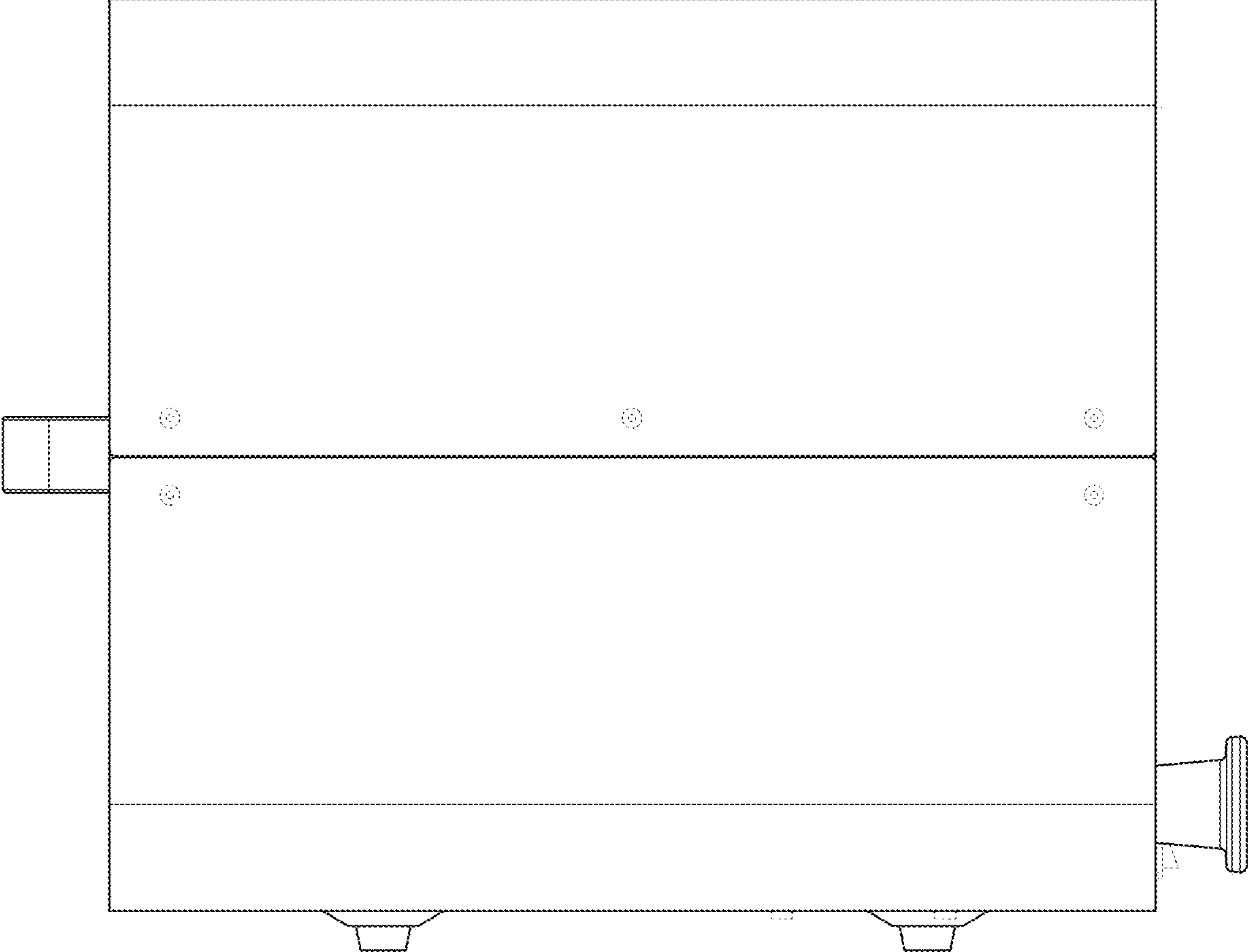


FIG. 8

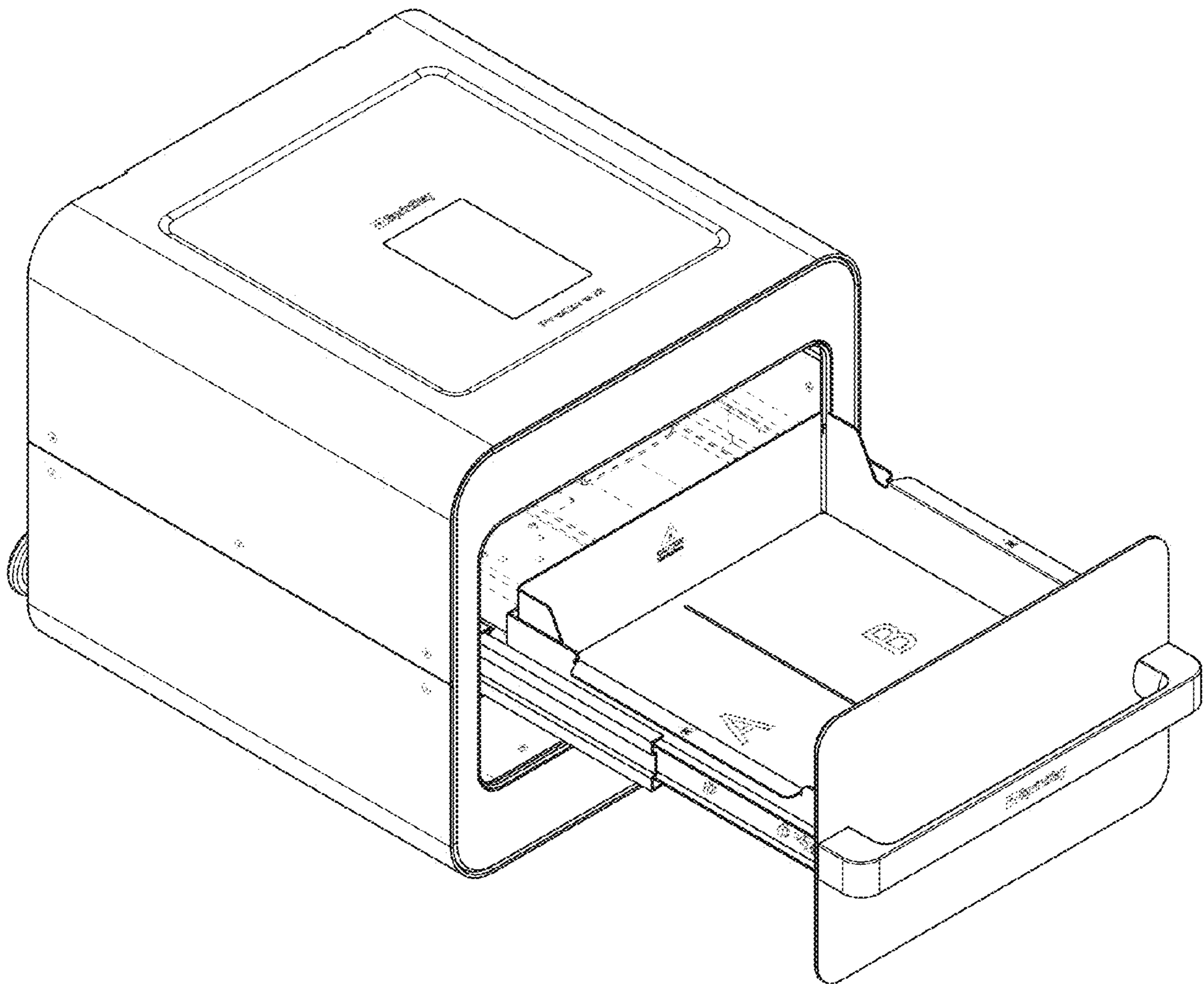


FIG. 9

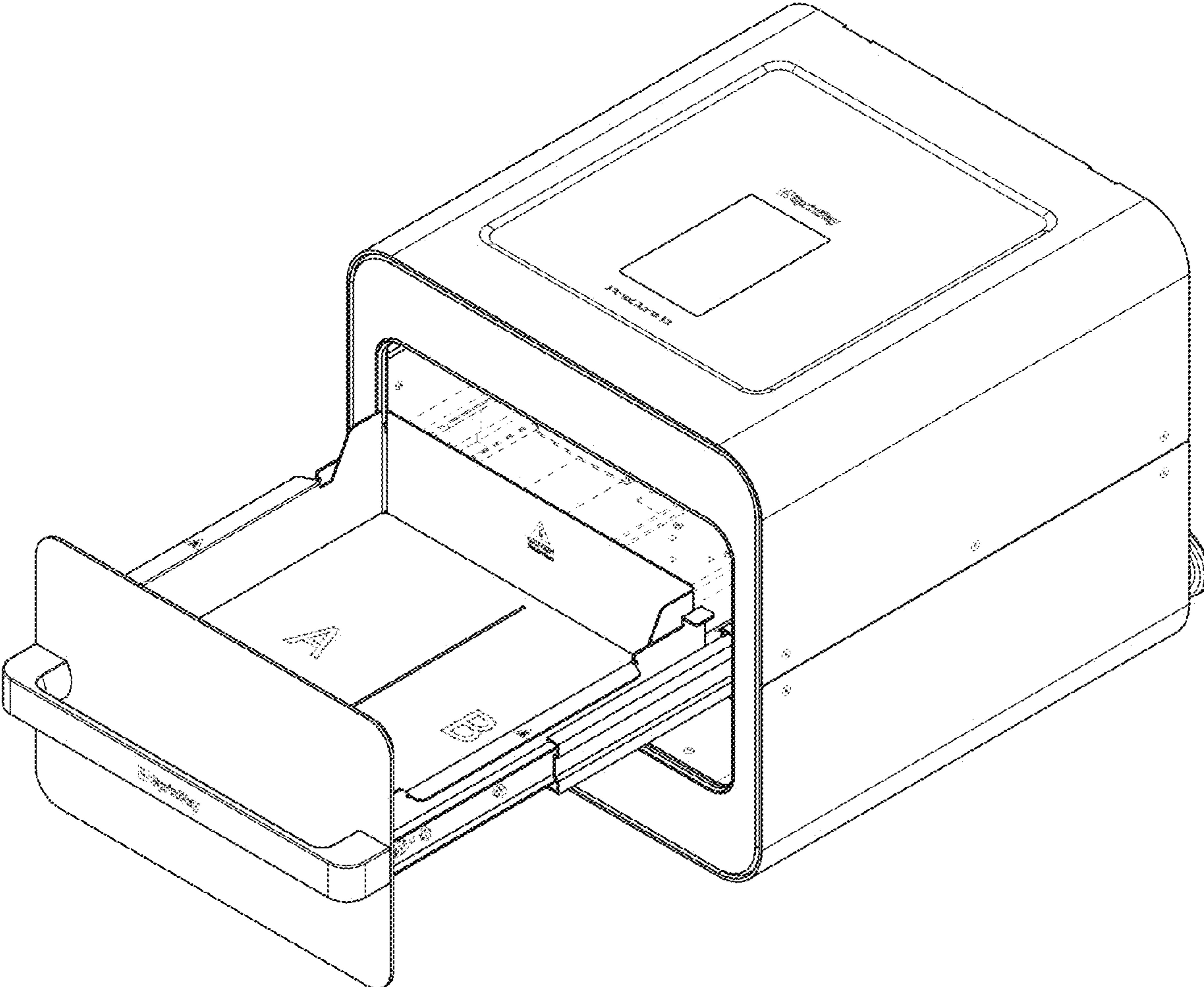


FIG. 10

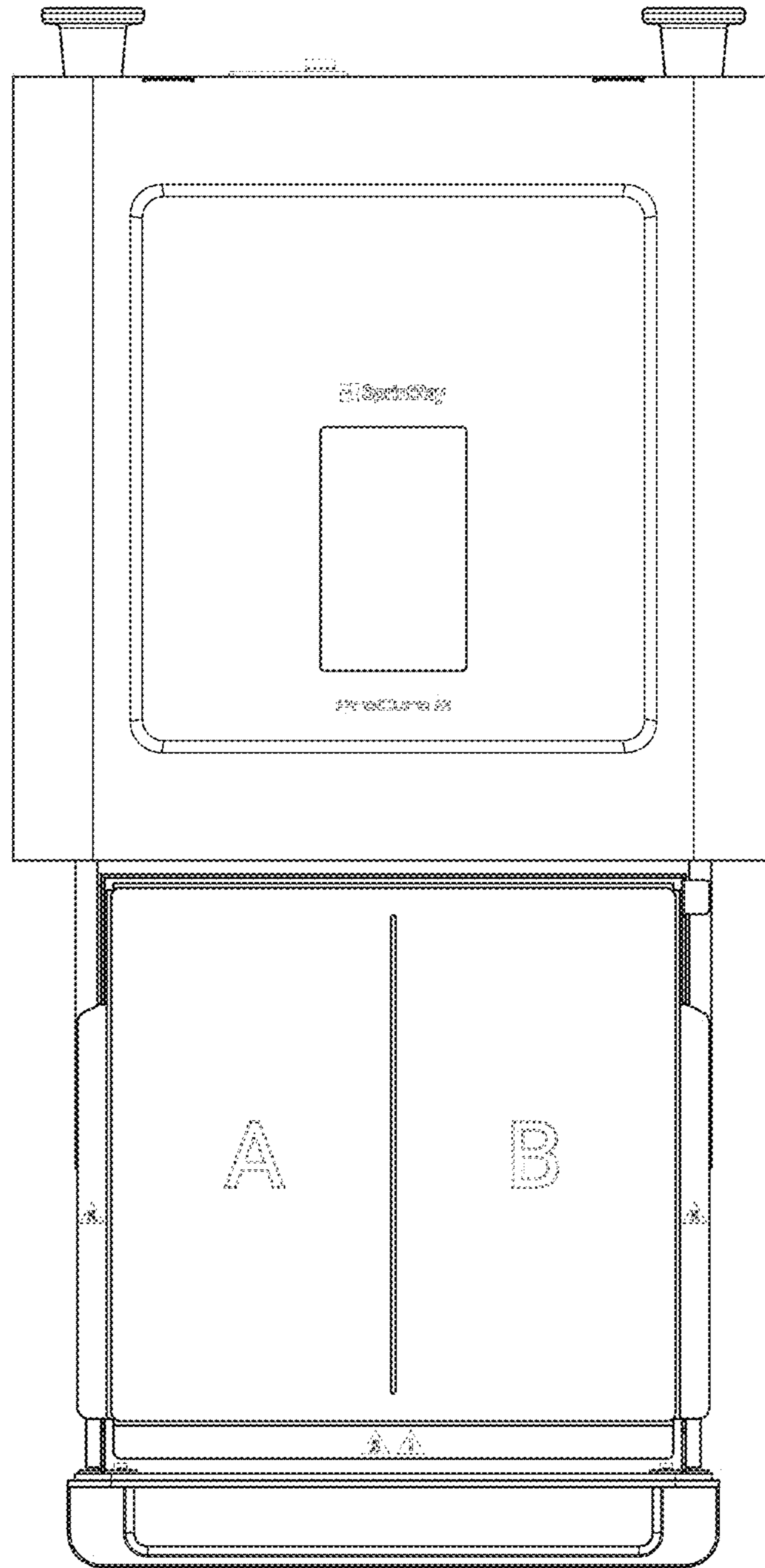


FIG. 11

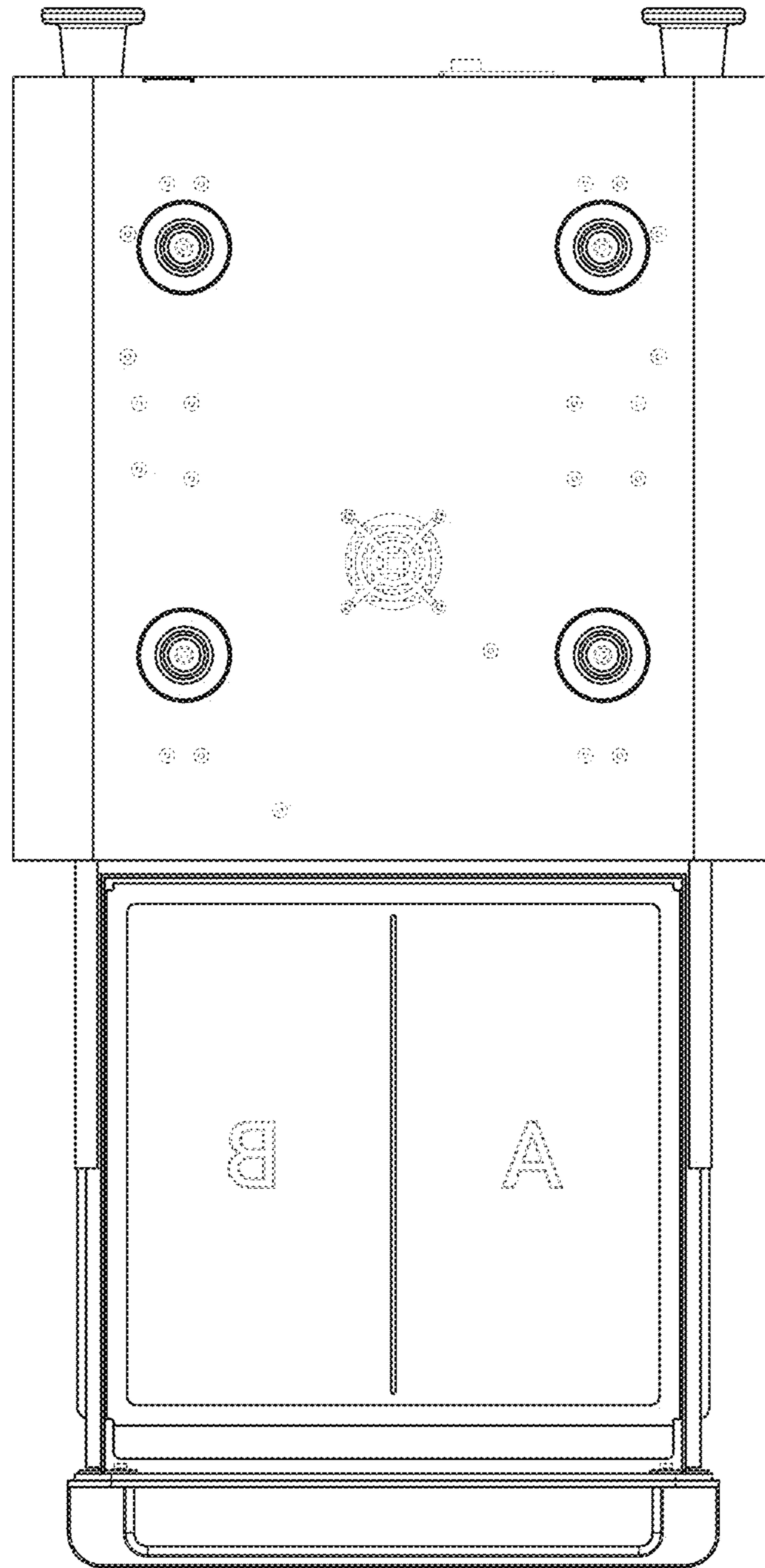


FIG. 12

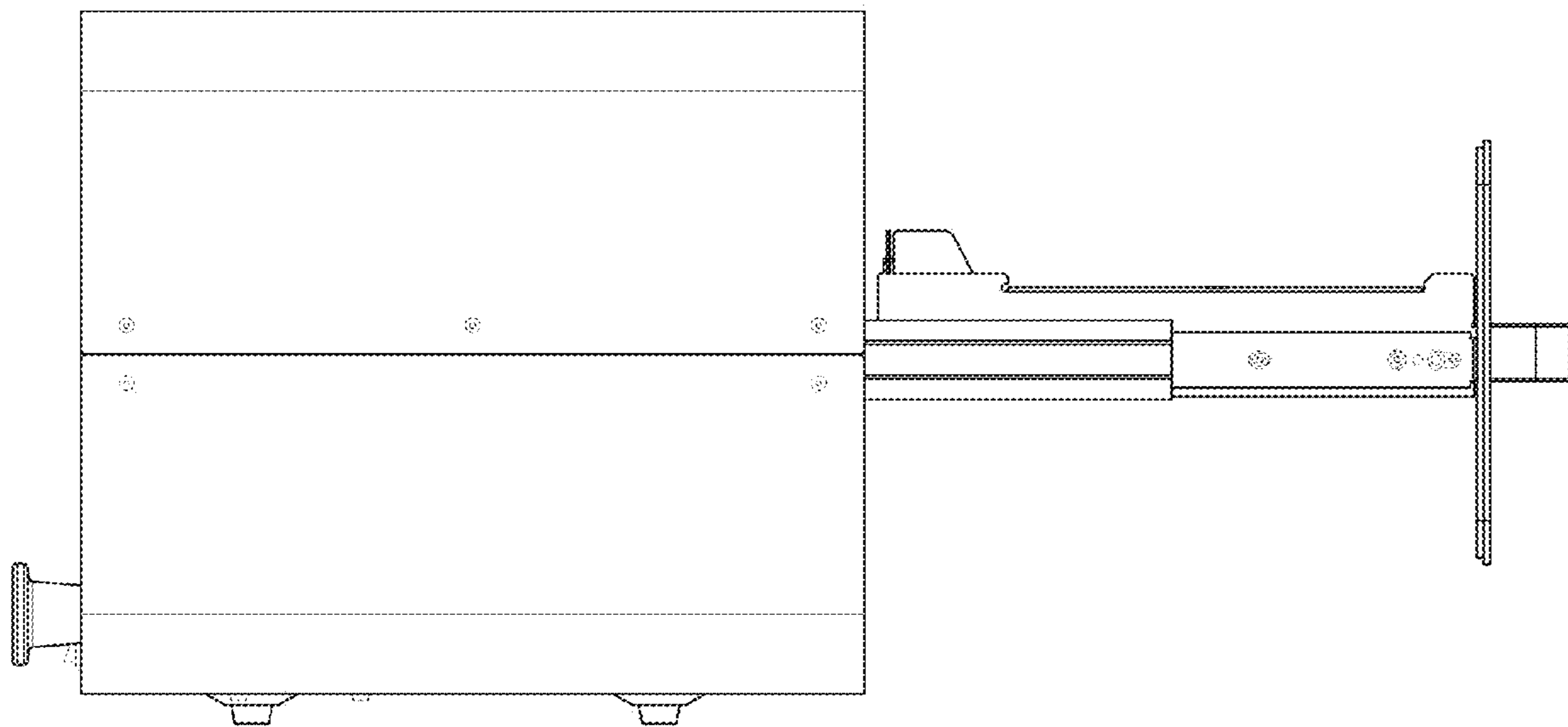


FIG. 13

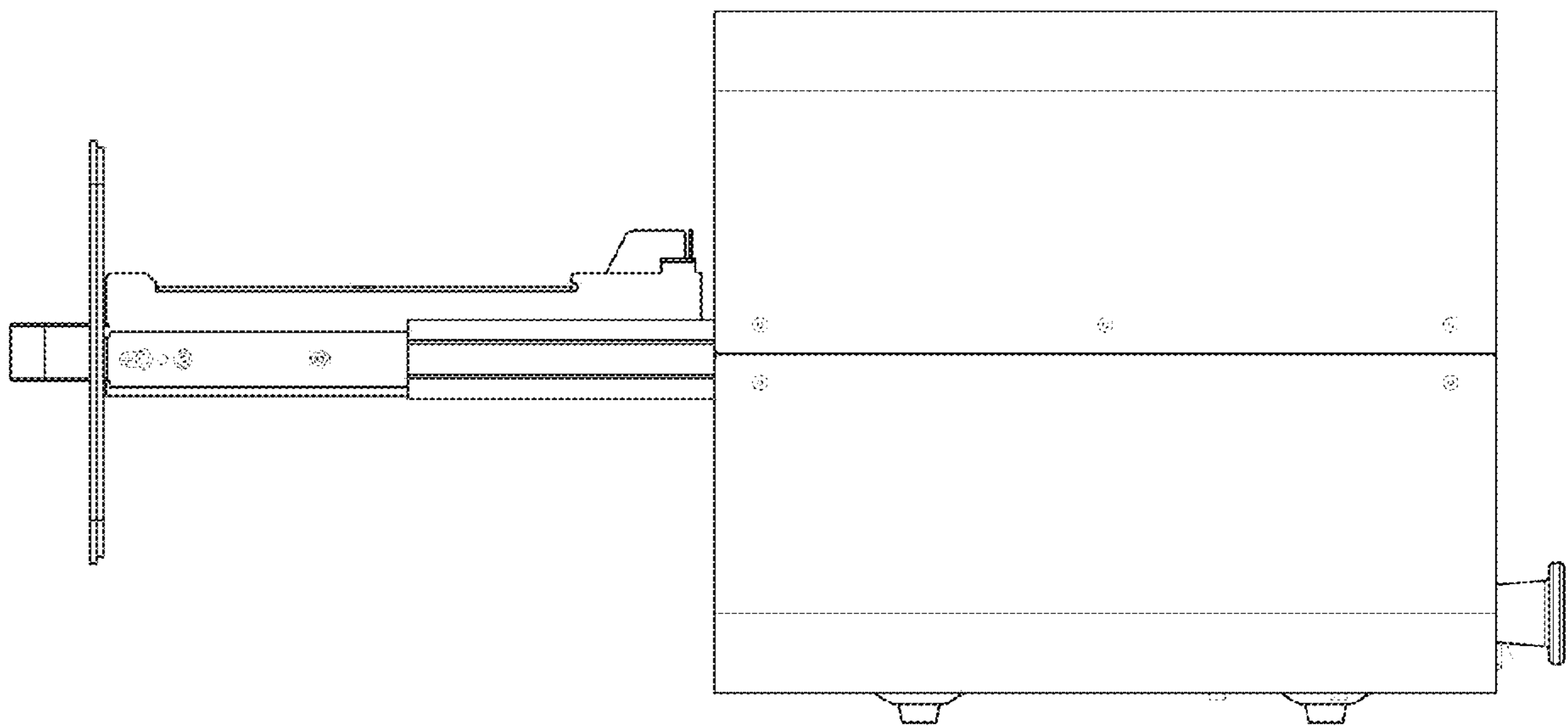


FIG. 14

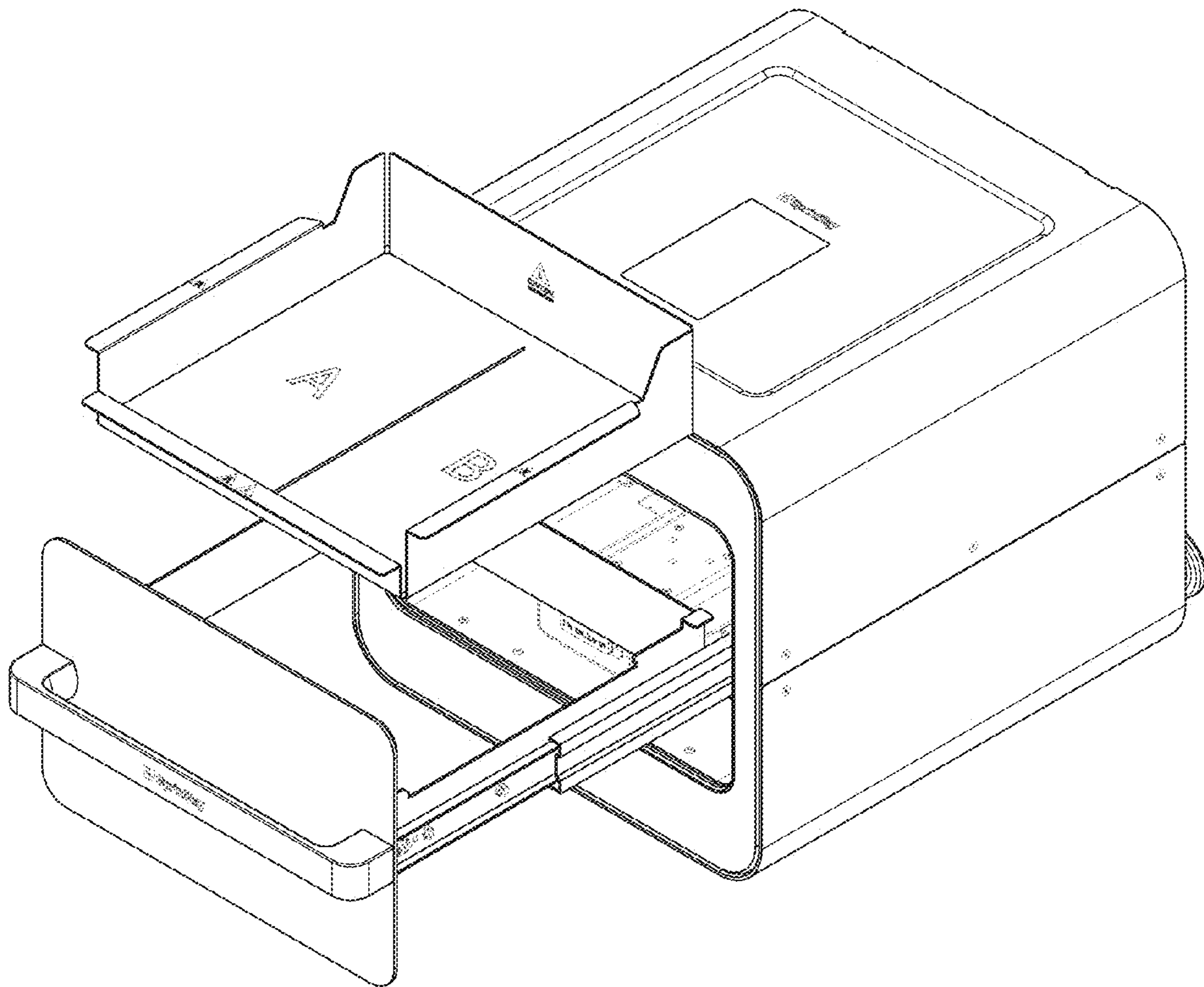


FIG. 15