



US00D989132S

(12) **United States Design Patent** (10) **Patent No.:** **US D989,132 S**
Park et al. (45) **Date of Patent:** **** Jun. 13, 2023**

(54) **REFRIGERATOR**

(71) Applicant: **Samsung Electronics Co., Ltd.**,
Suwon-si (KR)

(72) Inventors: **Jung-Eun Park**, Suwon-si (KR);
Hyun-Il Lee, Suwon-si (KR); **Ki-Sang Yoon**,
Suwon-si (KR); **Hyo-Jin Yoon**,
Suwon-si (KR)

(73) Assignee: **Samsung Electronics Co., Ltd.**,
Suwon-si (KR)

(**) Term: **15 Years**

(21) Appl. No.: **29/808,010**

(22) Filed: **Sep. 16, 2021**

(30) **Foreign Application Priority Data**

Mar. 17, 2021 (KR) 30-2021-0012784

(51) **LOC (14) Cl.** **15-07**

(52) **U.S. Cl.**
USPC **D15/91**

(58) **Field of Classification Search**
USPC D15/79-91
CPC .. F25D 11/00; F25D 17/065; F25D 2325/022;
F25D 23/069; F25D 25/025; F25D 11/02;
F25D 17/062; F25D 21/12; F25D 21/125;
F25D 21/14; F25D 2317/061; F25D
2317/067; F25D 2323/021; F25D
2323/024; F25D 23/028; F25D 23/04;
F25D 23/066; F25D 23/085; F25D
23/087; F25D 23/126; F25D 2400/02;
F25D 2400/06; F25D 2400/361; F25D
2400/40; F25D 25/005; F25D 25/02;
F25D 2600/02; F25D 2700/02; F25D
2700/12; F25D 2700/121; F25D 2700/14;
F25D 29/00

See application file for complete search history.

(56) **References Cited**

U.S. PATENT DOCUMENTS

D868,852 S * 12/2019 Lee D15/91
D875,792 S 2/2020 Huang et al.

(Continued)

FOREIGN PATENT DOCUMENTS

KR 30-2015-0043242 1/2016
KR 30-2018-0013312 5/2019

(Continued)

Primary Examiner — Khawaja Anwar

(74) *Attorney, Agent, or Firm* — NSIP Law

(57) **CLAIM**

We claim the ornamental design for a refrigerator, as shown and described.

DESCRIPTION

FIG. 1 is a front perspective view of a refrigerator showing our new design;

FIG. 2 is a front view thereof;

FIG. 3 is a rear view thereof;

FIG. 4 is a left-side view thereof;

FIG. 5 is a right-side view thereof;

FIG. 6 is a top view thereof;

FIG. 7 is a bottom view thereof;

FIG. 8 is another perspective view thereof;

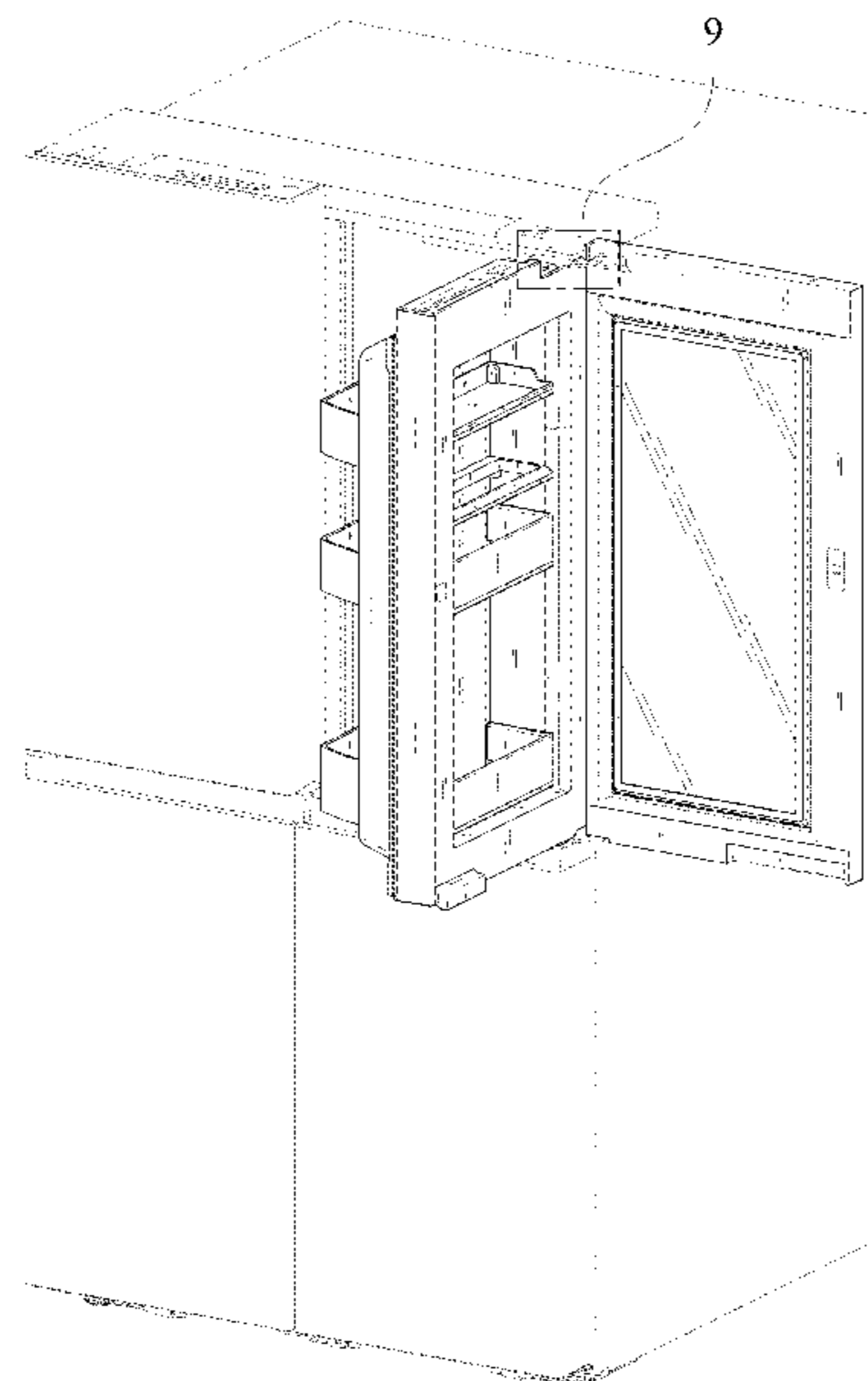
FIG. 9 is an enlarged view of the encircled portion in FIG. 1;

FIG. 10 is an enlarged view of the encircled portion in FIG. 4; and,

FIG. 11 is an enlarged view of the encircled portion in FIG. 8.

The evenly dashed broken lines in the figures depict portions of the refrigerator which form no part of the claimed design. The dot-dash broken lines encircling portions of the claimed design that are illustrated in enlargements form no part of the claimed design.

1 Claim, 11 Drawing Sheets



(56)

References Cited

U.S. PATENT DOCUMENTS

D963,710 S * 9/2022 Lee D15/89
D966,352 S * 10/2022 Lee D15/89
D967,877 S * 10/2022 Choi D15/89
D967,878 S * 10/2022 Yoon D15/91
D970,565 S * 11/2022 Yang D15/89

FOREIGN PATENT DOCUMENTS

KR 30-2018-0013313 5/2019
KR 30-2015-0065626 6/2019

* cited by examiner

FIG. 1

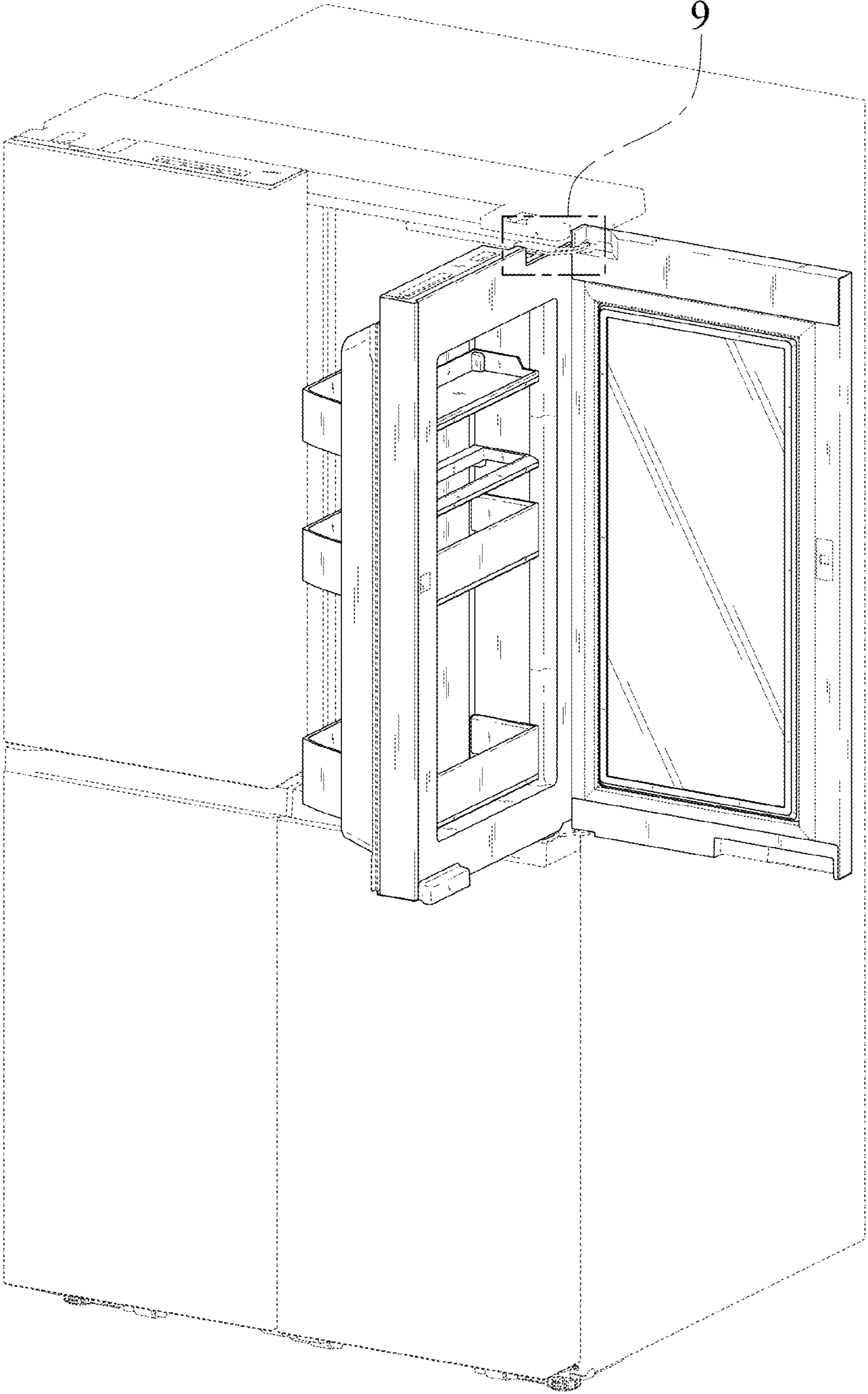


FIG. 2

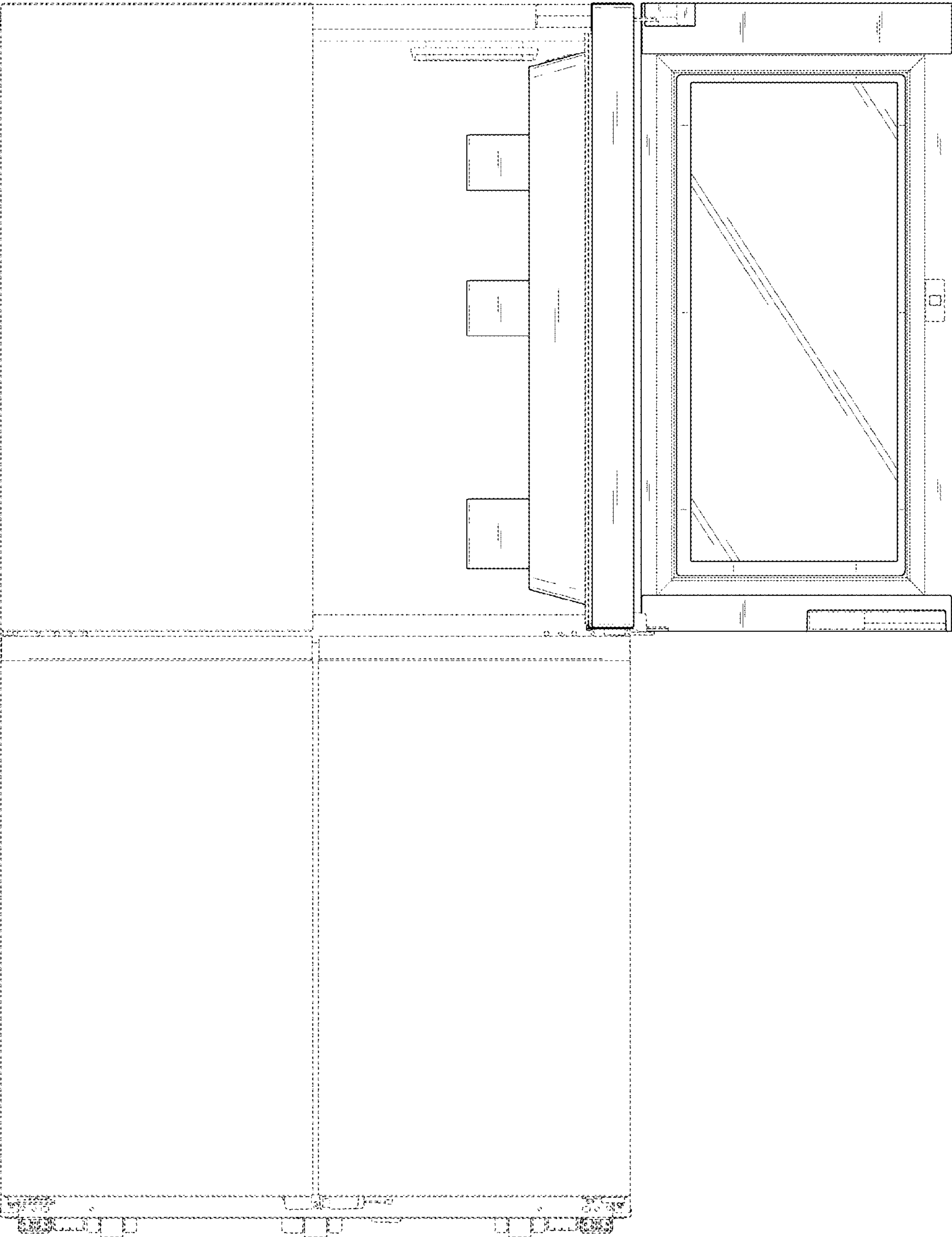


FIG. 3

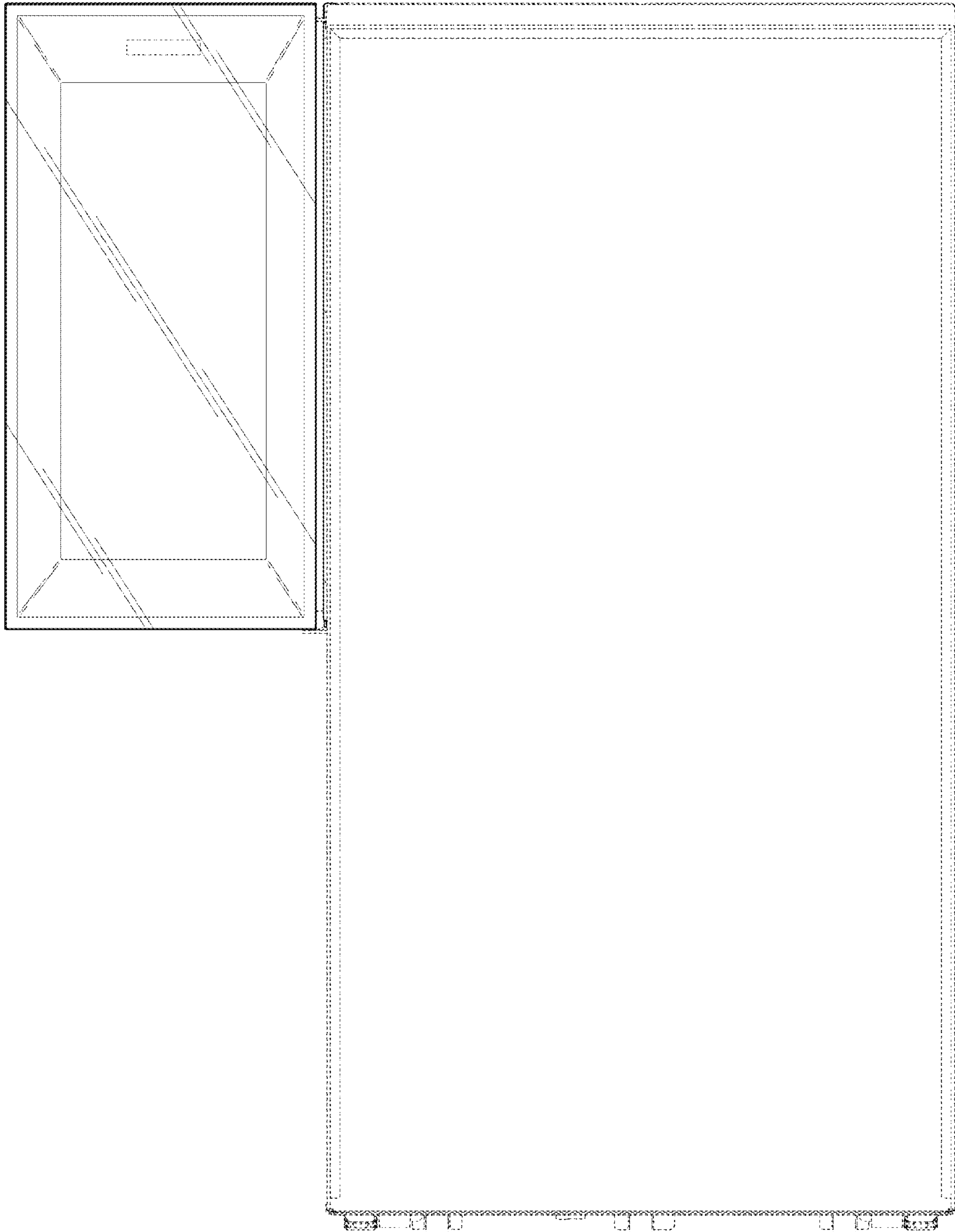


FIG. 4

10

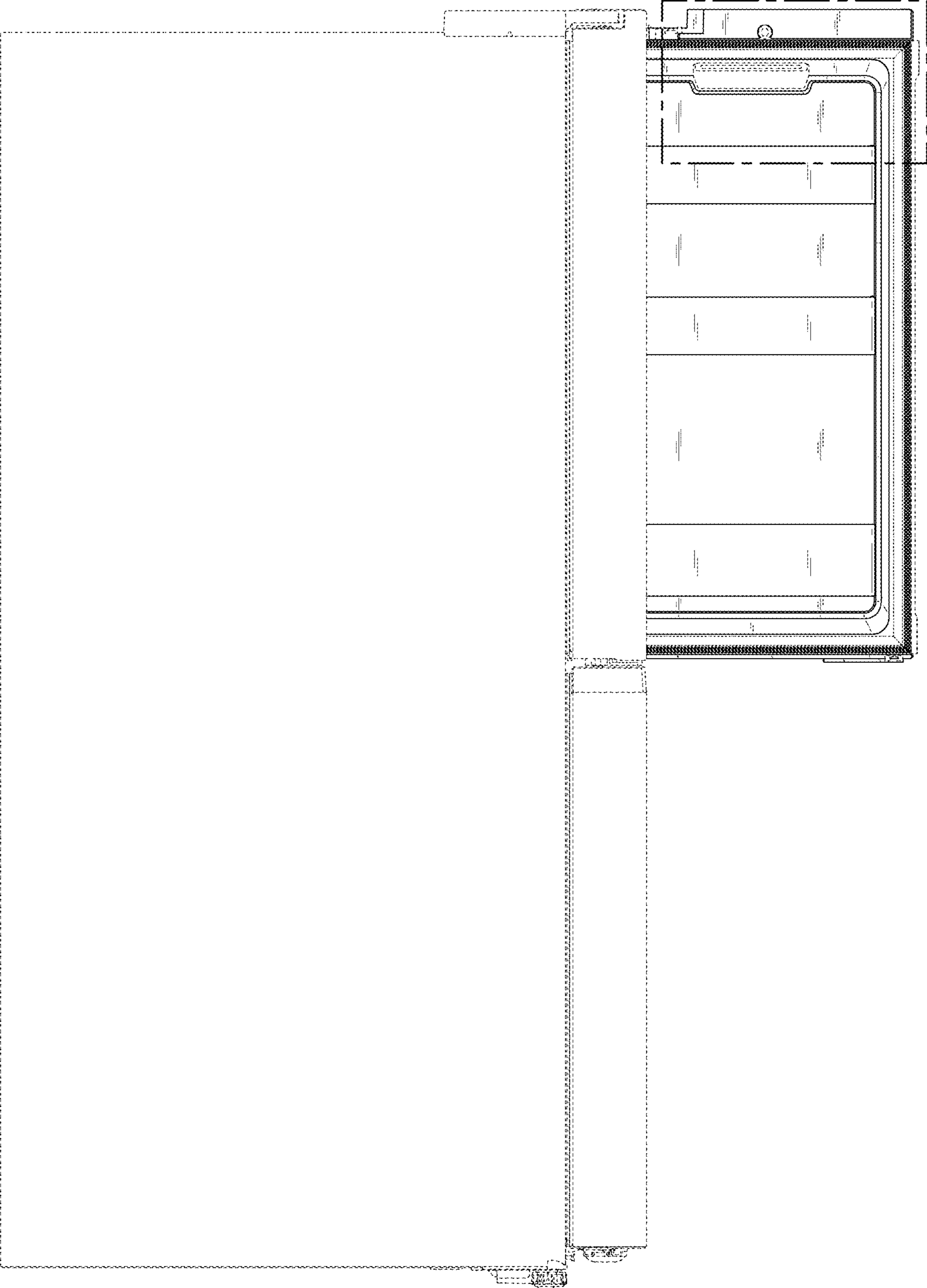


FIG. 5

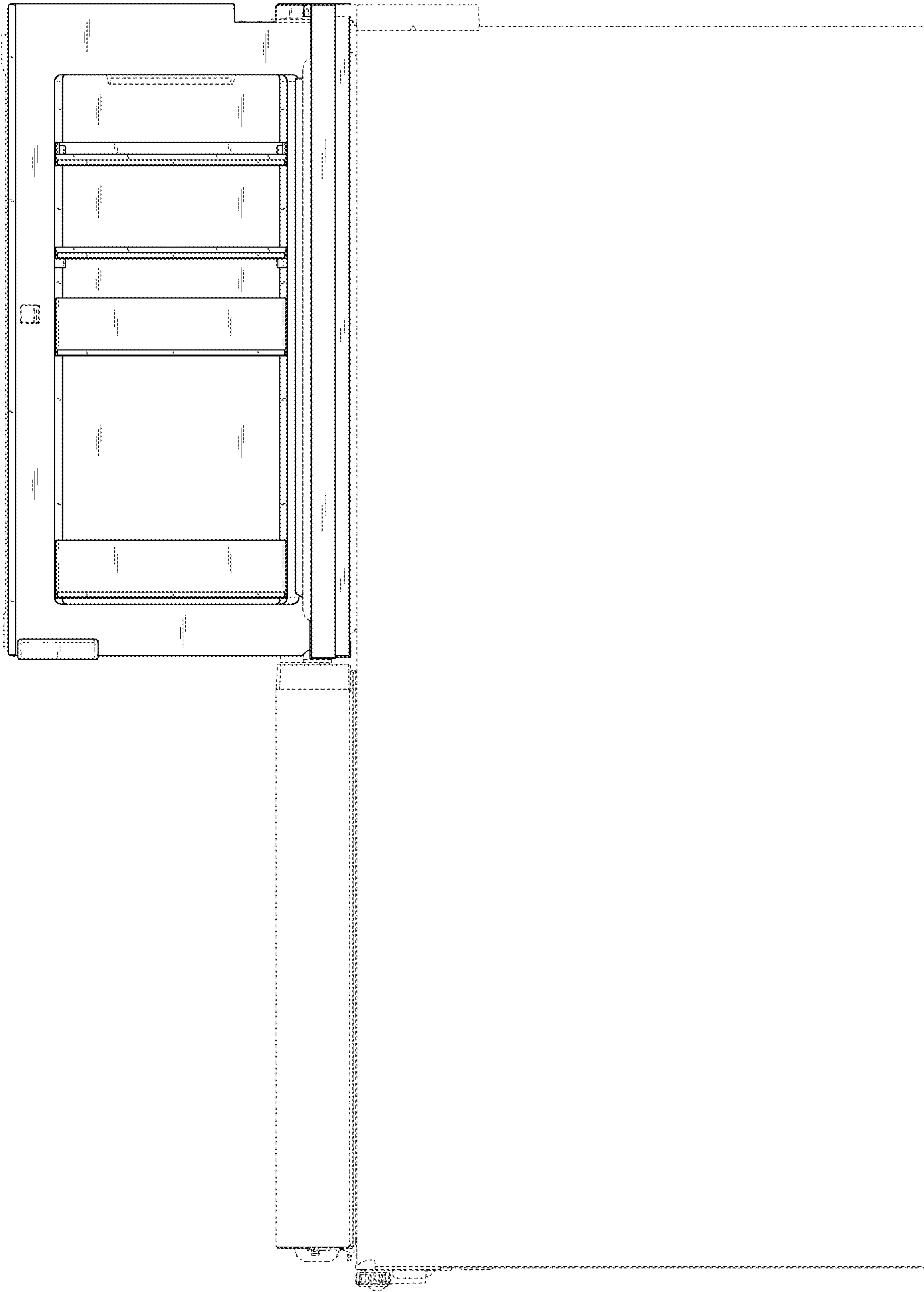


FIG. 6

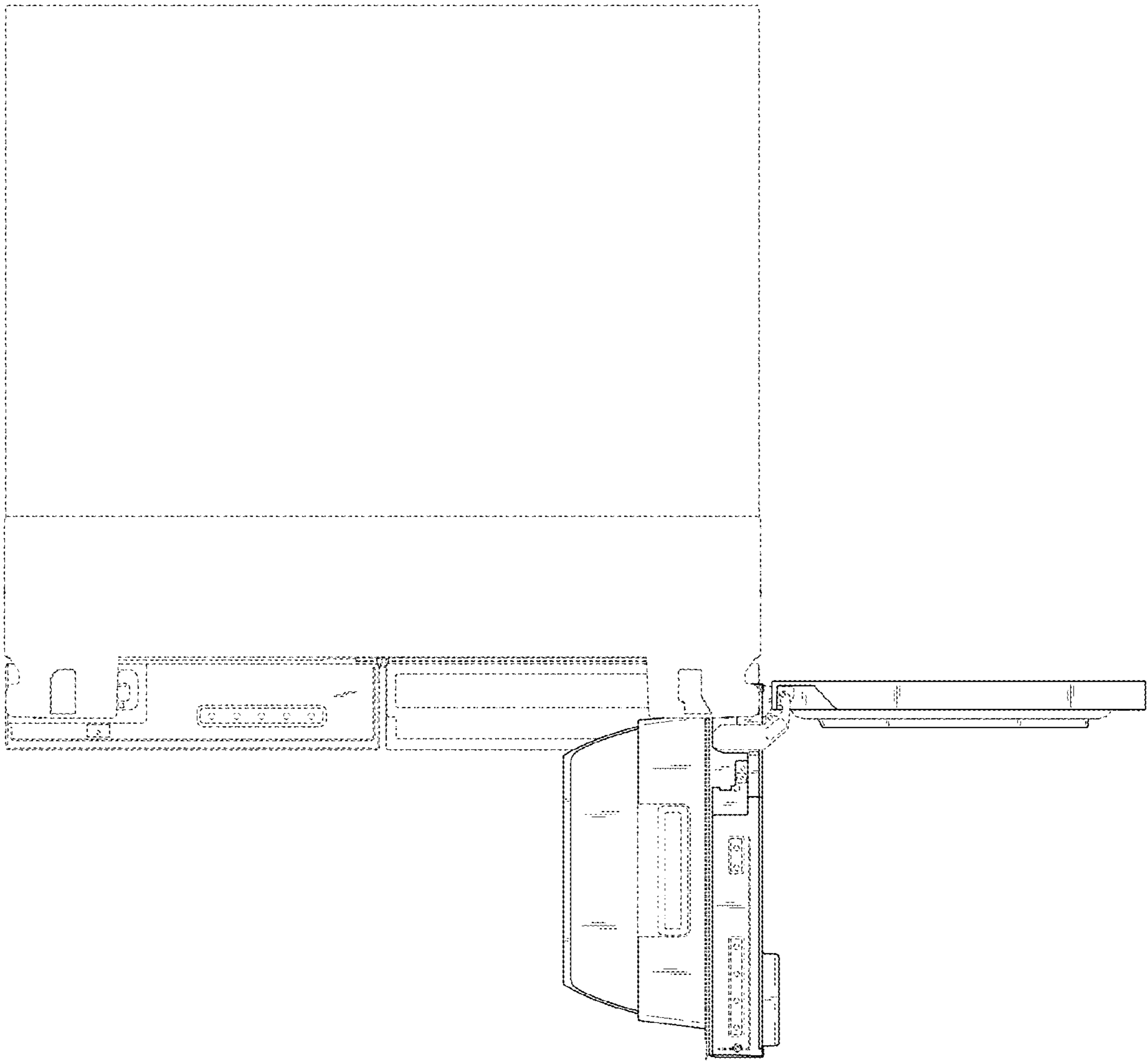


FIG. 7

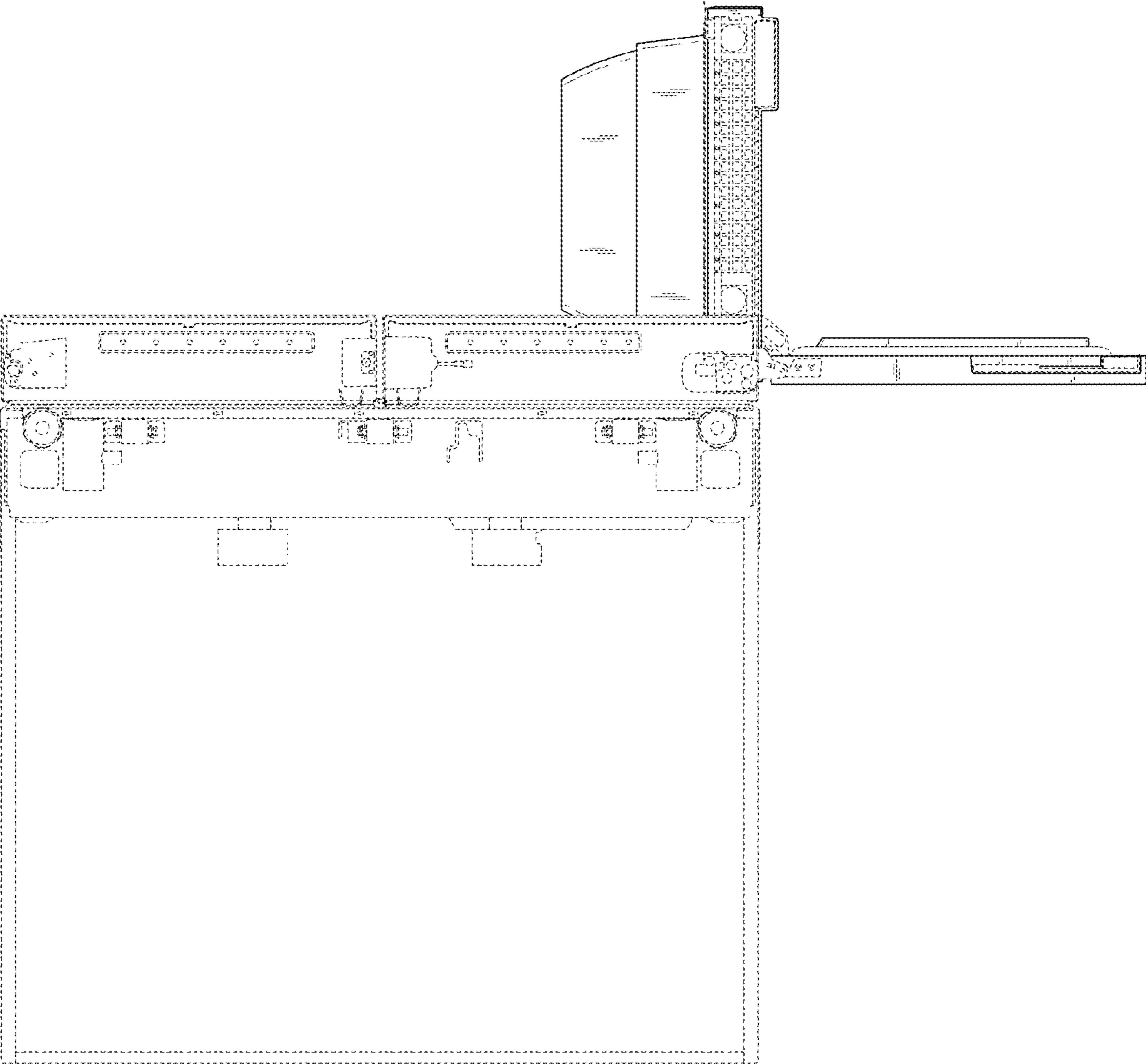


FIG. 8

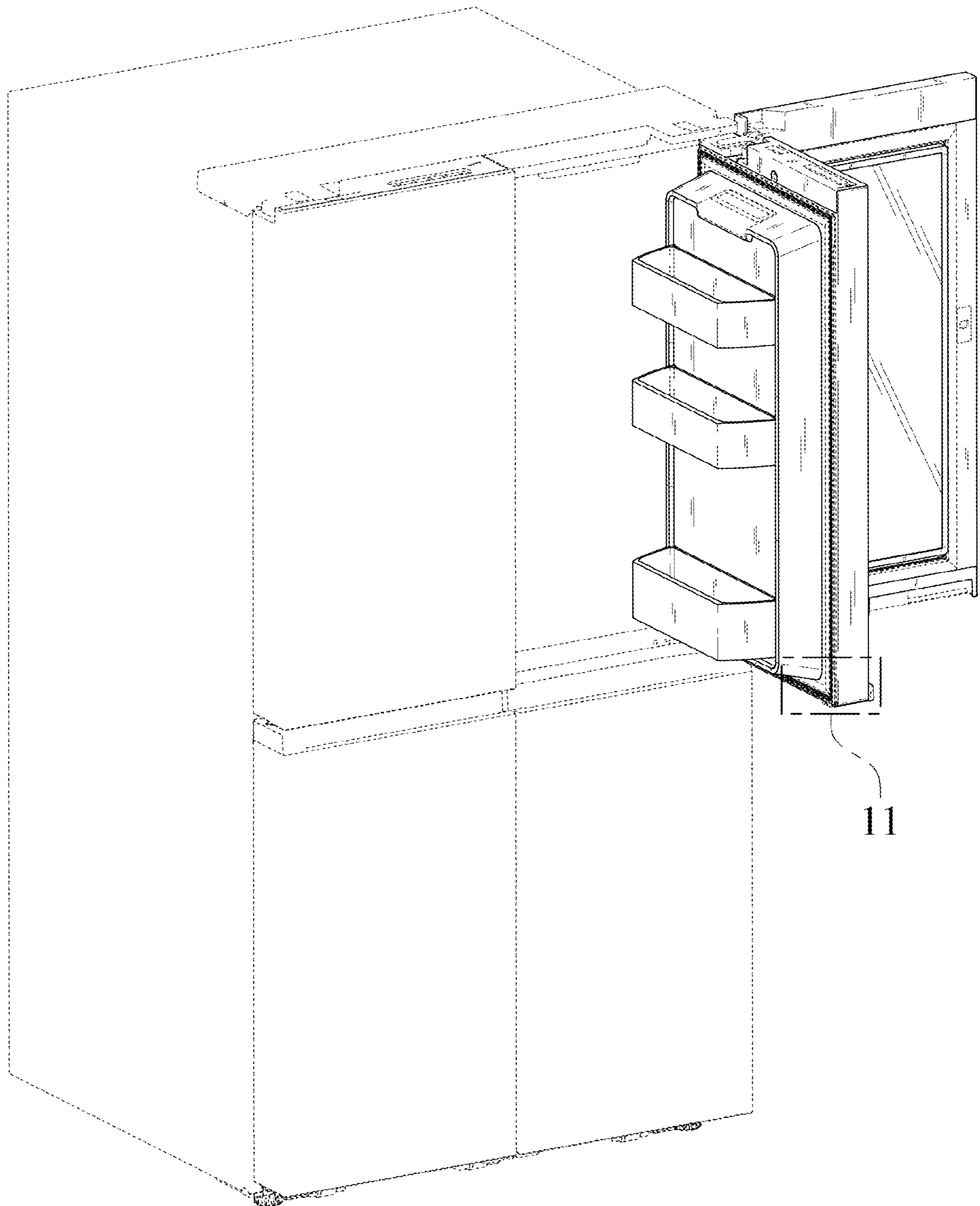


FIG. 9

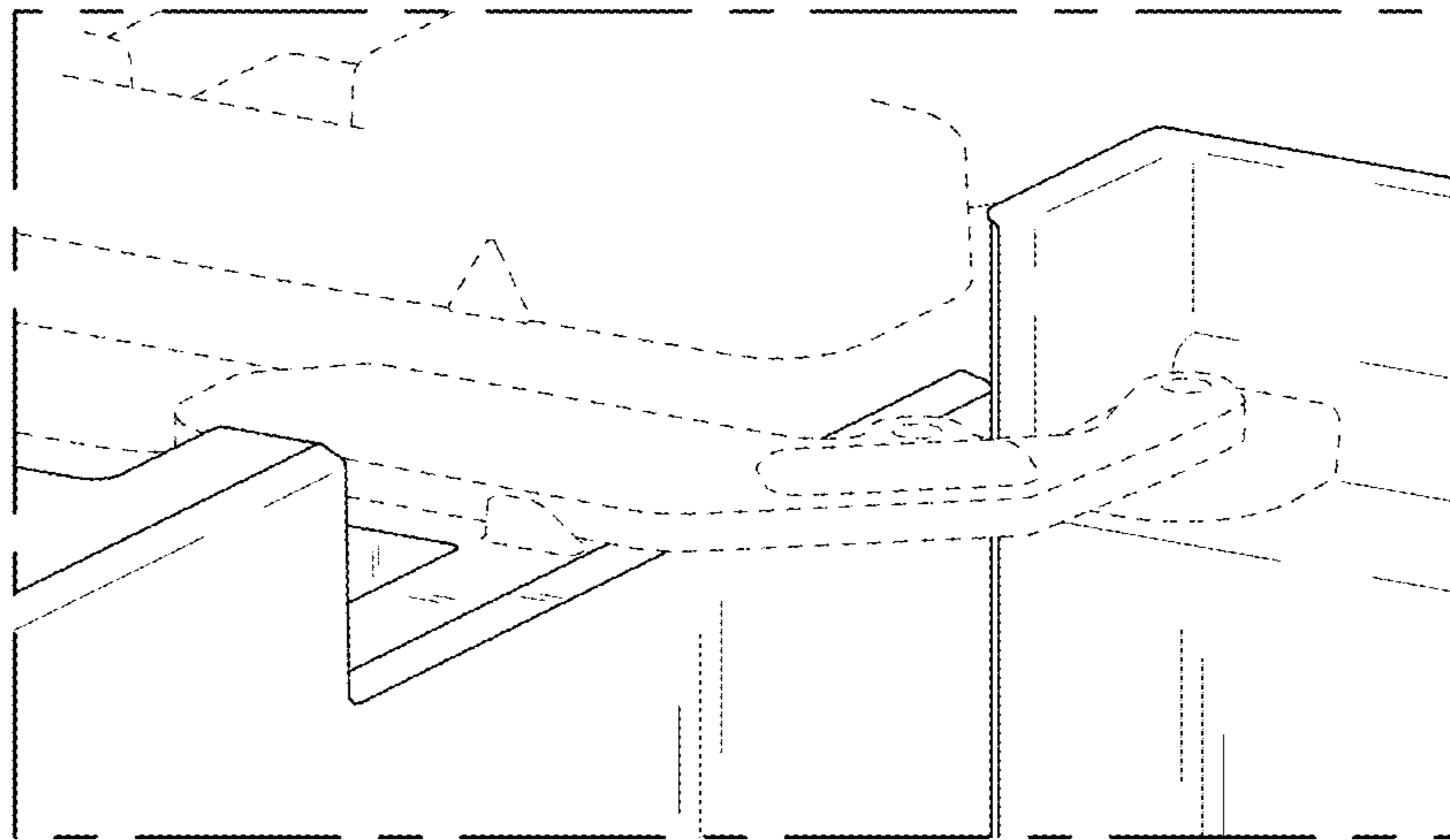


FIG. 10

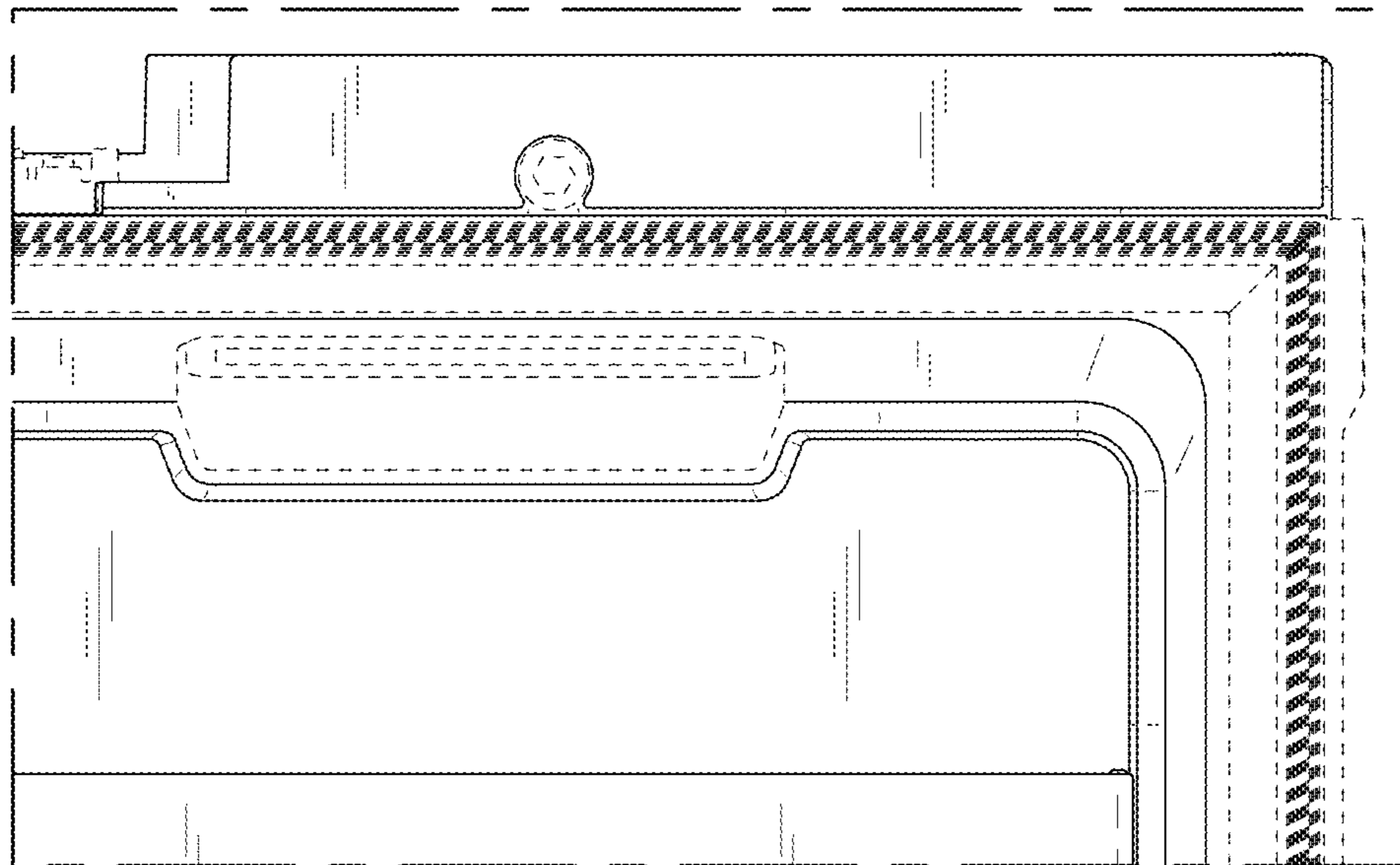


FIG. 11

