



US00D989131S

(12) **United States Design Patent**
Choi et al.

(10) **Patent No.:** **US D989,131 S**
(45) **Date of Patent:** **** Jun. 13, 2023**

(54) **BODY FOR REFRIGERATOR**
(71) Applicant: **LG ELECTRONICS INC.**, Seoul
(KR)

(72) Inventors: **Wonsang Choi**, Seoul (KR); **Kyukwan Choi**, Seoul (KR); **Sanghun Kim**, Seoul (KR); **Seungjin Yoon**, Seoul (KR)

(73) Assignee: **LG ELECTRONICS INC.**, Seoul (KR)

(**) Term: **15 Years**

(21) Appl. No.: **29/746,623**

(22) Filed: **Aug. 14, 2020**

(30) **Foreign Application Priority Data**

Feb. 17, 2020 (KR) 30-2020-0007006

(51) **LOC (14) Cl.** **15-07**

(52) **U.S. Cl.**
USPC **D15/89**; D15/81

(58) **Field of Classification Search**
USPC D15/79-91; D6/660, 661, 672, 675.1, D6/679, 703, 705, 705.1, 705.4; D3/273, D3/294, 295, 296, 304, 901, 903; D34/12, 19
CPC F25D 2323/021; F25D 2323/024; F25D 29/00; F25D 27/005; F25D 29/005; F25D 17/042; F25D 2325/021; F25D 11/00; F25D 11/02; F25D 11/025; F25D 23/00; F25D 23/02; F25D 23/04; F25D 23/12; F25D 23/028; F25D 25/02; F25D 25/021; F25D 25/022; F25D 25/024; F25D 25/025

See application file for complete search history.

(56) **References Cited**

U.S. PATENT DOCUMENTS

5,273,354 A * 12/1993 Herrmann F25D 25/02 312/408
D477,479 S * 7/2003 Henderson D6/705

D629,995 S * 12/2010 Thurm D34/35
D711,936 S * 8/2014 Hynes A47B 73/00 D15/89
D759,734 S * 6/2016 Lee D15/89
D802,631 S * 11/2017 Seo F25D 25/025 D15/90

(Continued)

Primary Examiner — Calvin E Vansant

Assistant Examiner — Mark T. Philipps

(74) *Attorney, Agent, or Firm* — Birch, Stewart, Kolasch & Birch, LLP

(57) **CLAIM**

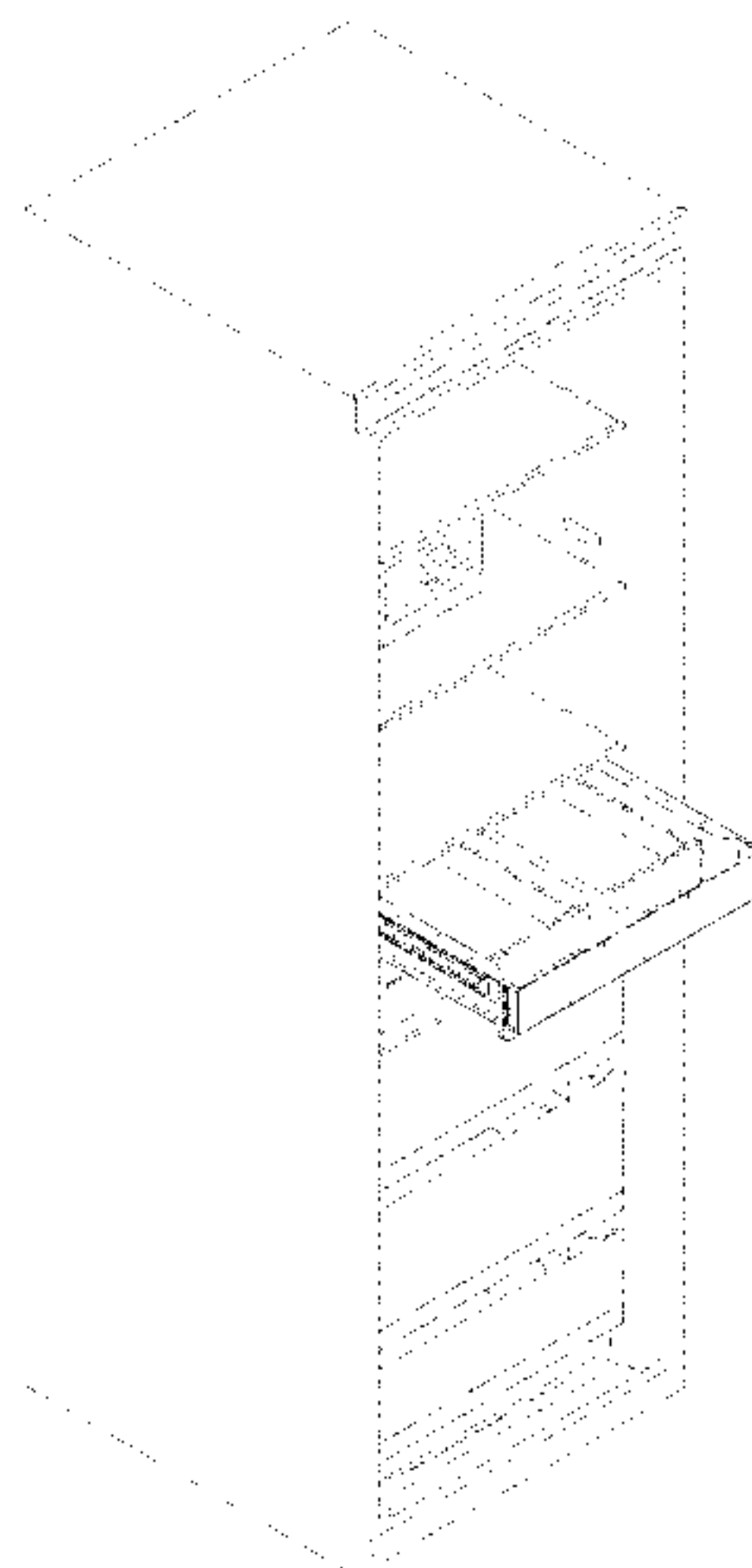
The ornamental design for a body for refrigerator, as shown and described.

DESCRIPTION

FIG. 1 is a front perspective view of the body for refrigerator showing our new design;
FIG. 2 is a front view thereof;
FIG. 3 is a rear view thereof;
FIG. 4 is a left side view thereof;
FIG. 5 is a right side view thereof;
FIG. 6 is a top plan view thereof;
FIG. 7 is a bottom plan view thereof;
FIG. 8 is a front perspective view in a condition that the multi-storage part has been protruded forward by sliding;
FIG. 9 is a front view of FIG. 8;
FIG. 10 is a rear view of FIG. 8;
FIG. 11 is a left side view of FIG. 8;
FIG. 12 is a right side view of FIG. 8;
FIG. 13 is a top plan view of FIG. 8;
FIG. 14 is a bottom plan view of FIG. 8; and,
FIG. 15 is a top perspective view showing the design in a state of use.

The broken lines depict portions of the body for refrigerator that form no part of the claimed design.

1 Claim, 15 Drawing Sheets



(56)

References Cited

U.S. PATENT DOCUMENTS

D828,409 S * 9/2018 Choi F25D 25/02
D15/89
D839,932 S * 2/2019 Choi F25D 25/02
D15/89
D846,602 S * 4/2019 Onrat D15/89
D862,532 S * 10/2019 Lee F25D 25/02
D15/89
D876,498 S * 2/2020 Kim F25D 11/00
D15/89
D878,434 S * 3/2020 Kim F25D 11/00
D15/91
D887,488 S * 6/2020 Bakker D19/77
10,677,522 B1 * 6/2020 Stauffer F25D 17/045
D901,559 S * 11/2020 Jeon D15/89
D905,767 S * 12/2020 Lee D15/89
D921,065 S * 6/2021 Lee D15/89
D924,663 S * 7/2021 Spurrier D15/89
2013/0081421 A1 * 4/2013 Kwon F25D 25/02
62/440
2014/0265802 A1 * 9/2014 Wilcox F25D 25/025
312/404
2021/0330080 A1 * 10/2021 Wang A47B 88/427

* cited by examiner

FIG. 1

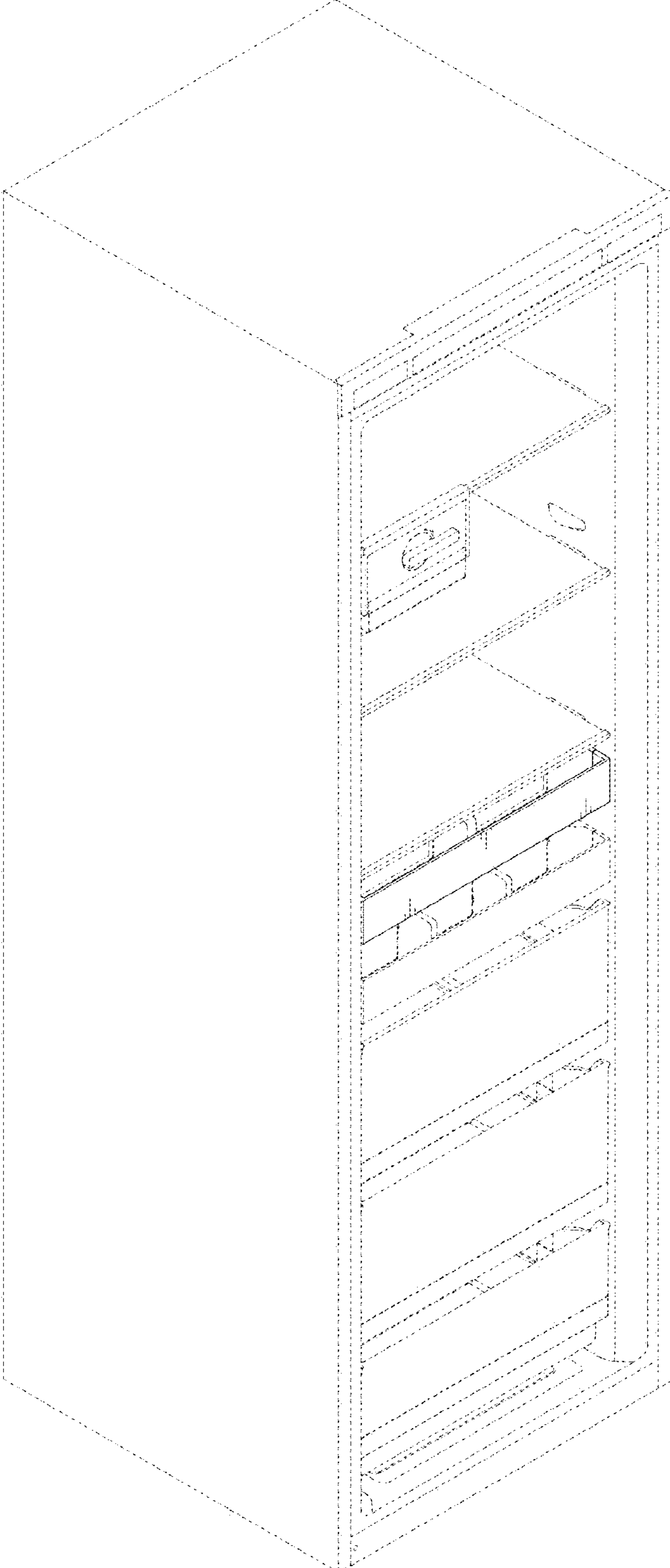


FIG. 2

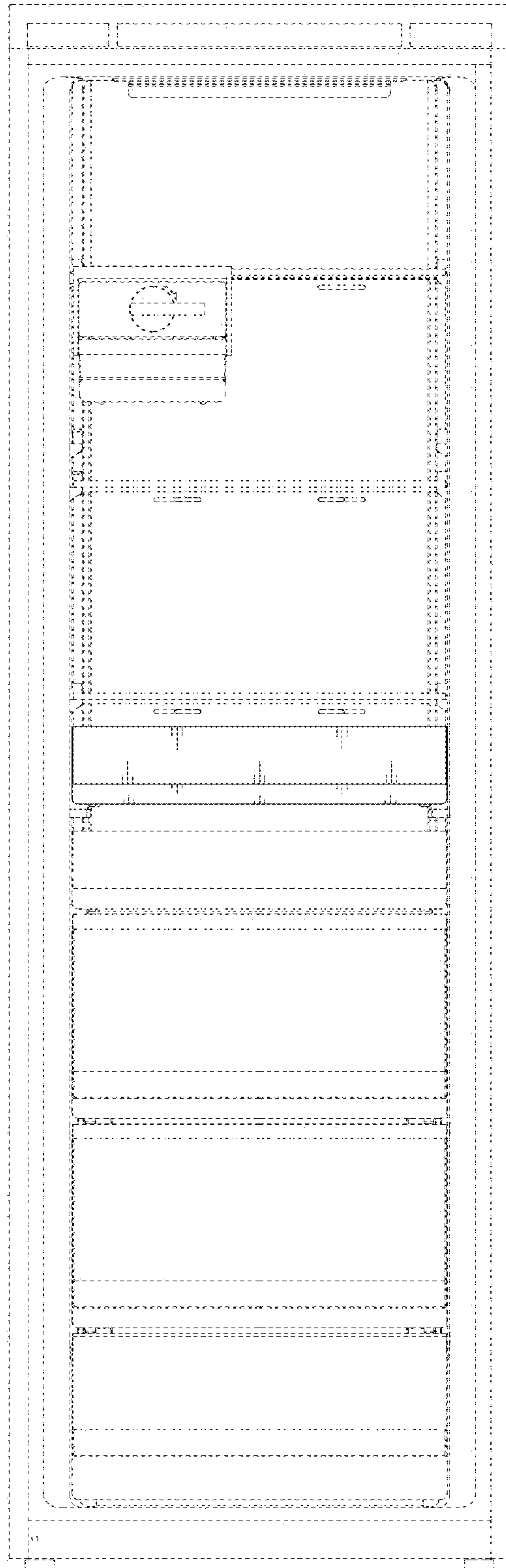


FIG. 3



FIG. 4

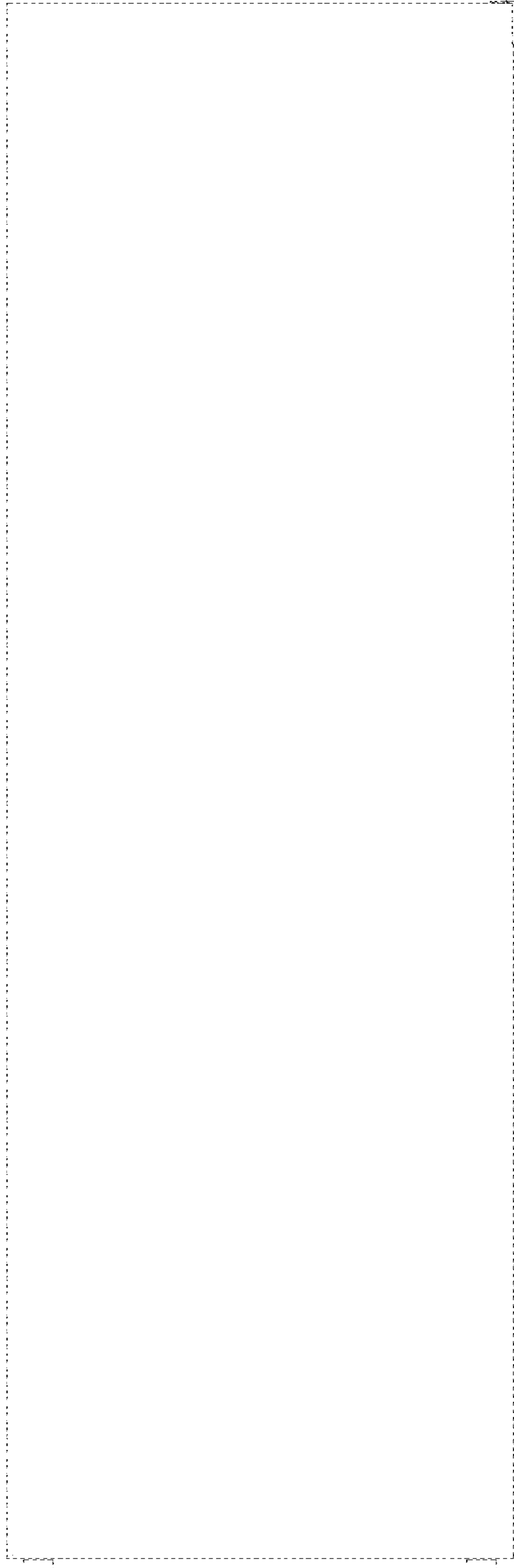


FIG. 5

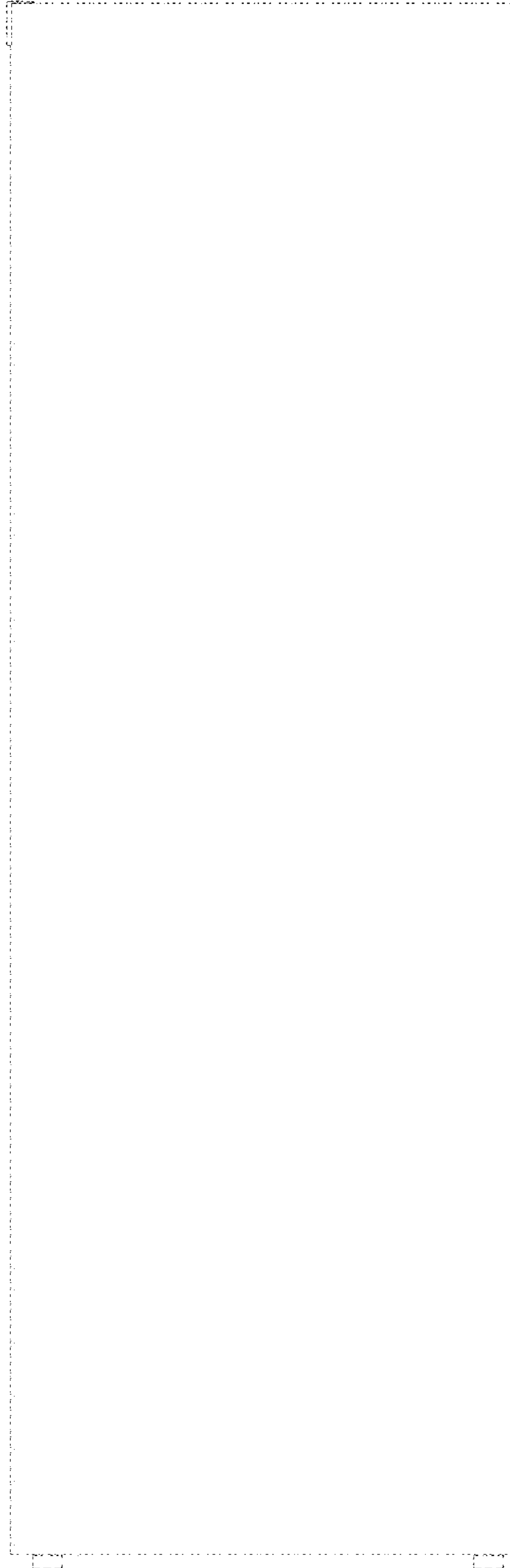


FIG. 6

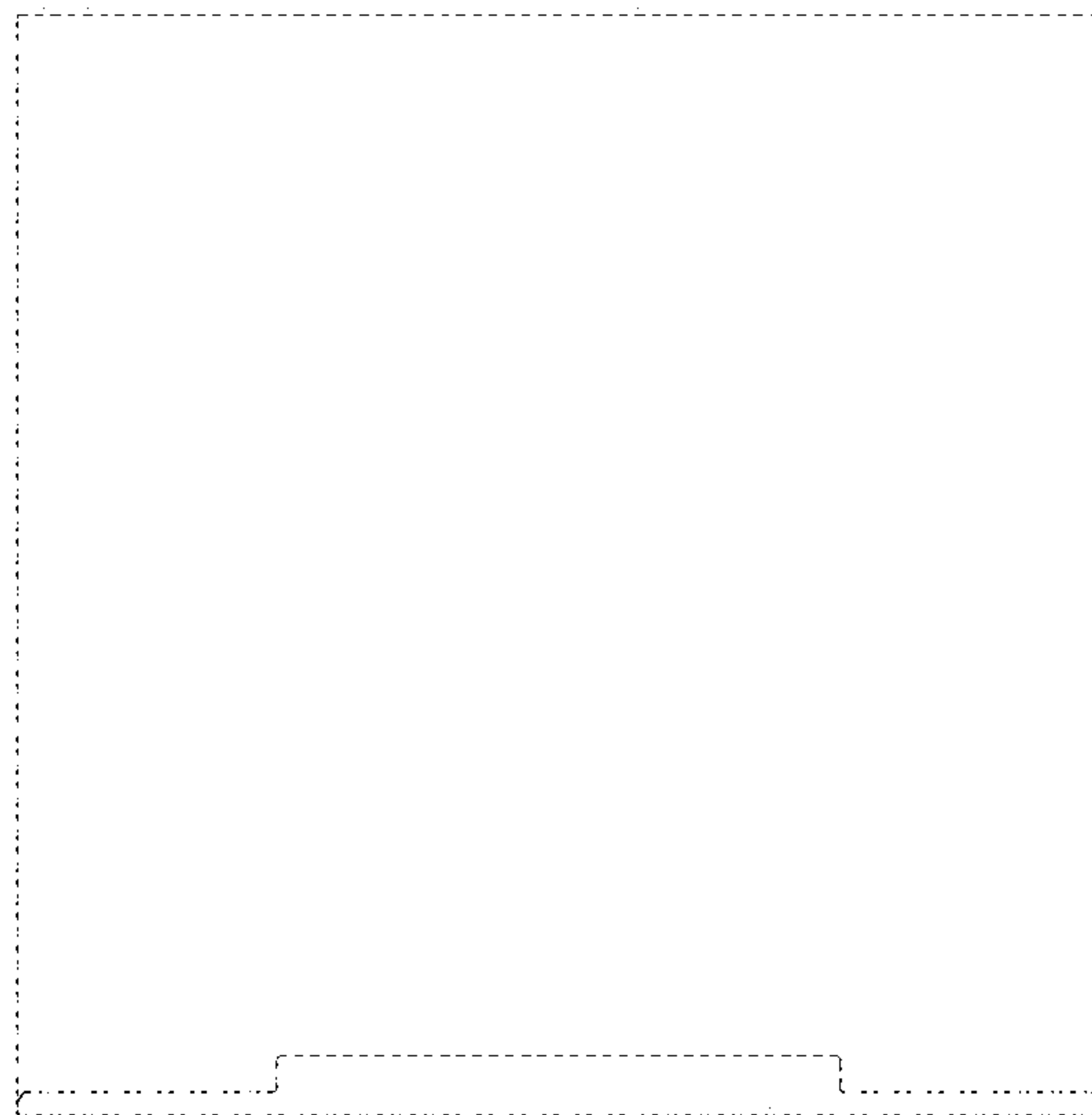


FIG. 7

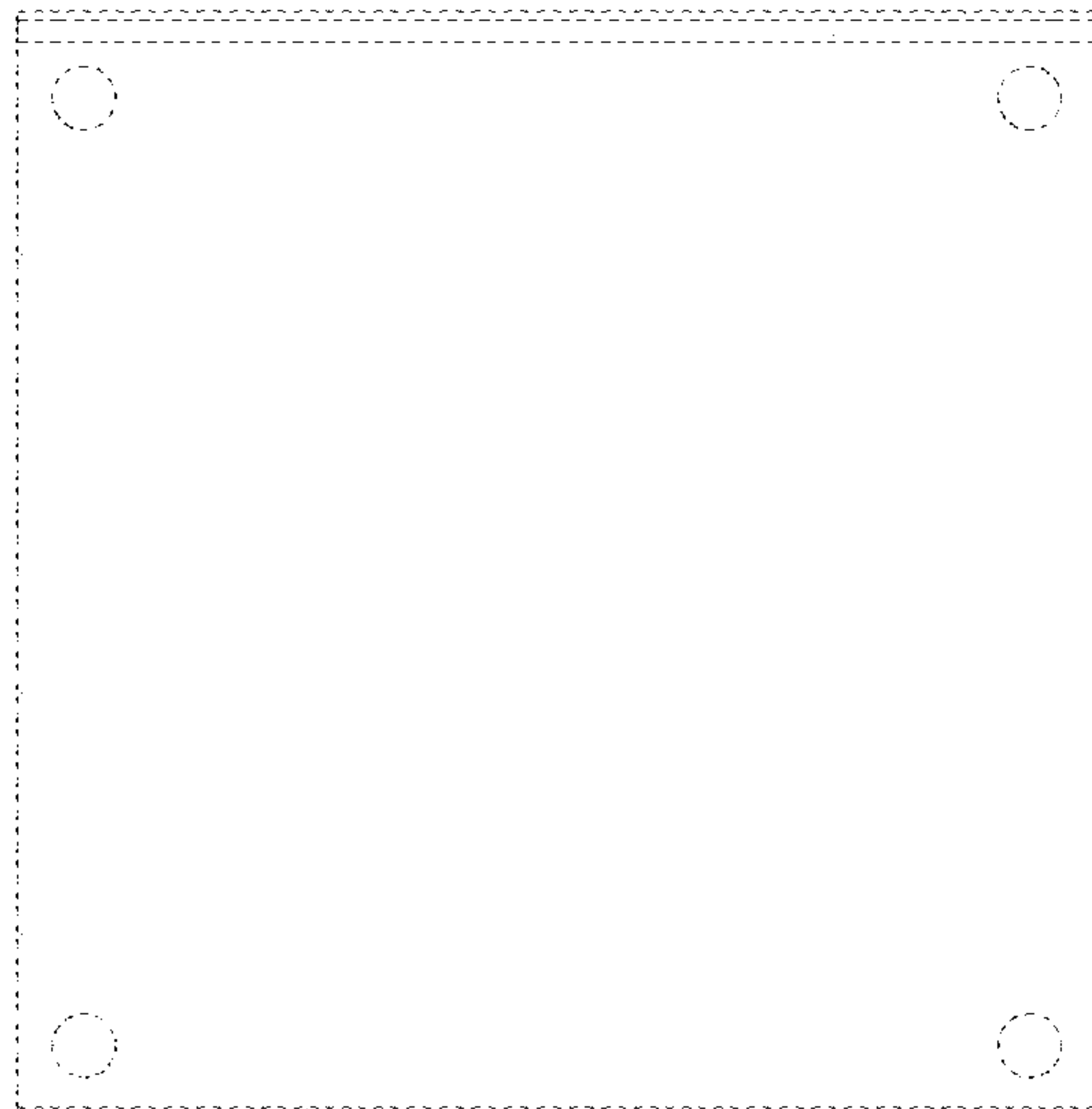


FIG. 8

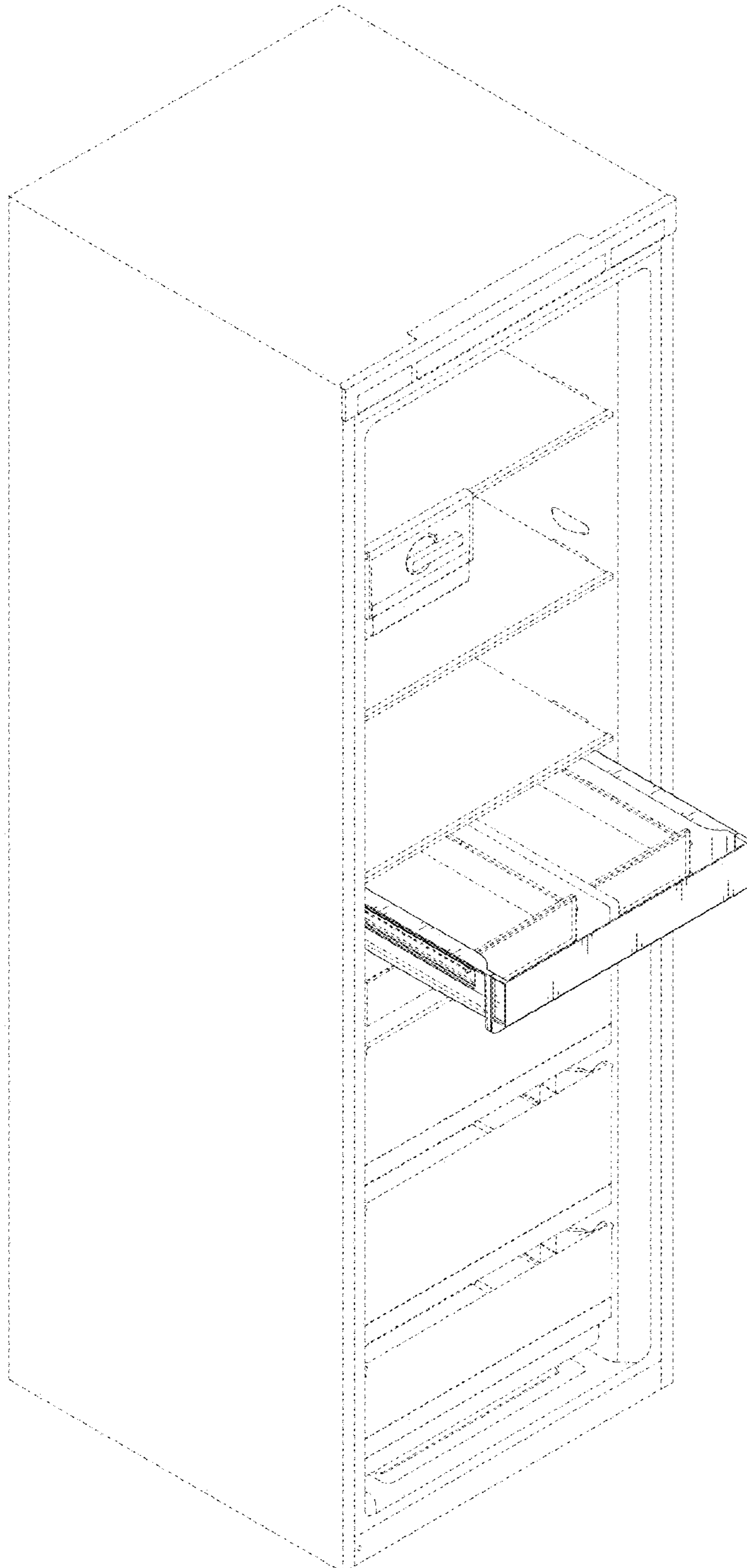


FIG. 9

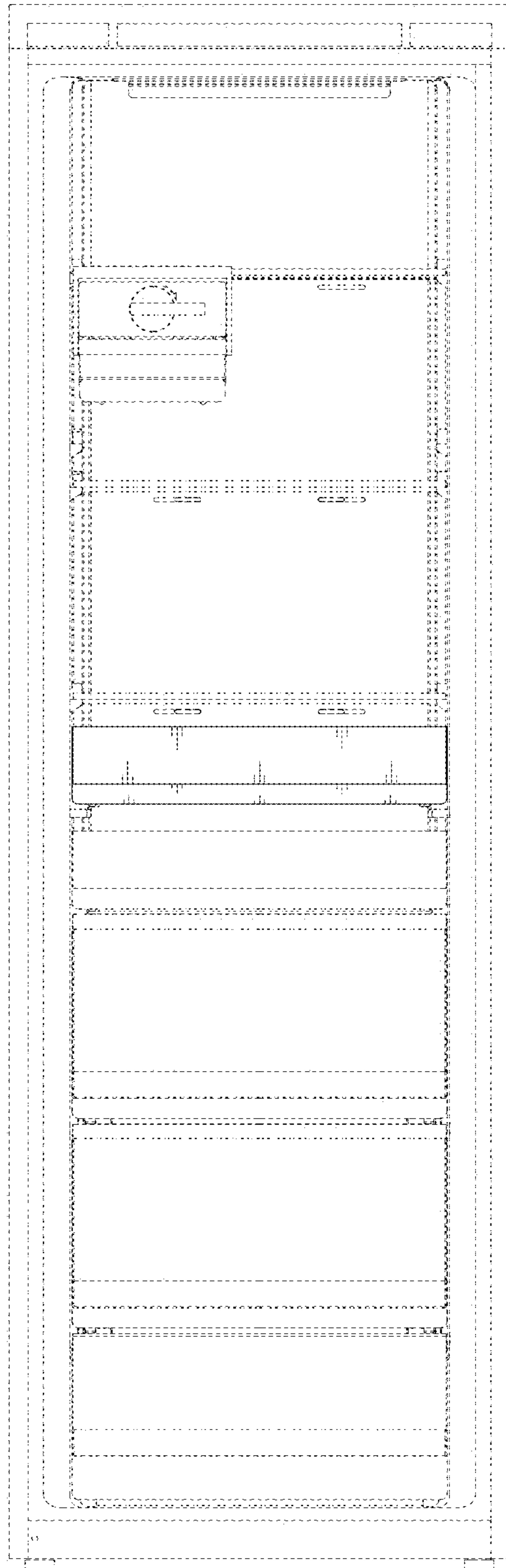


FIG. 10



FIG. 11

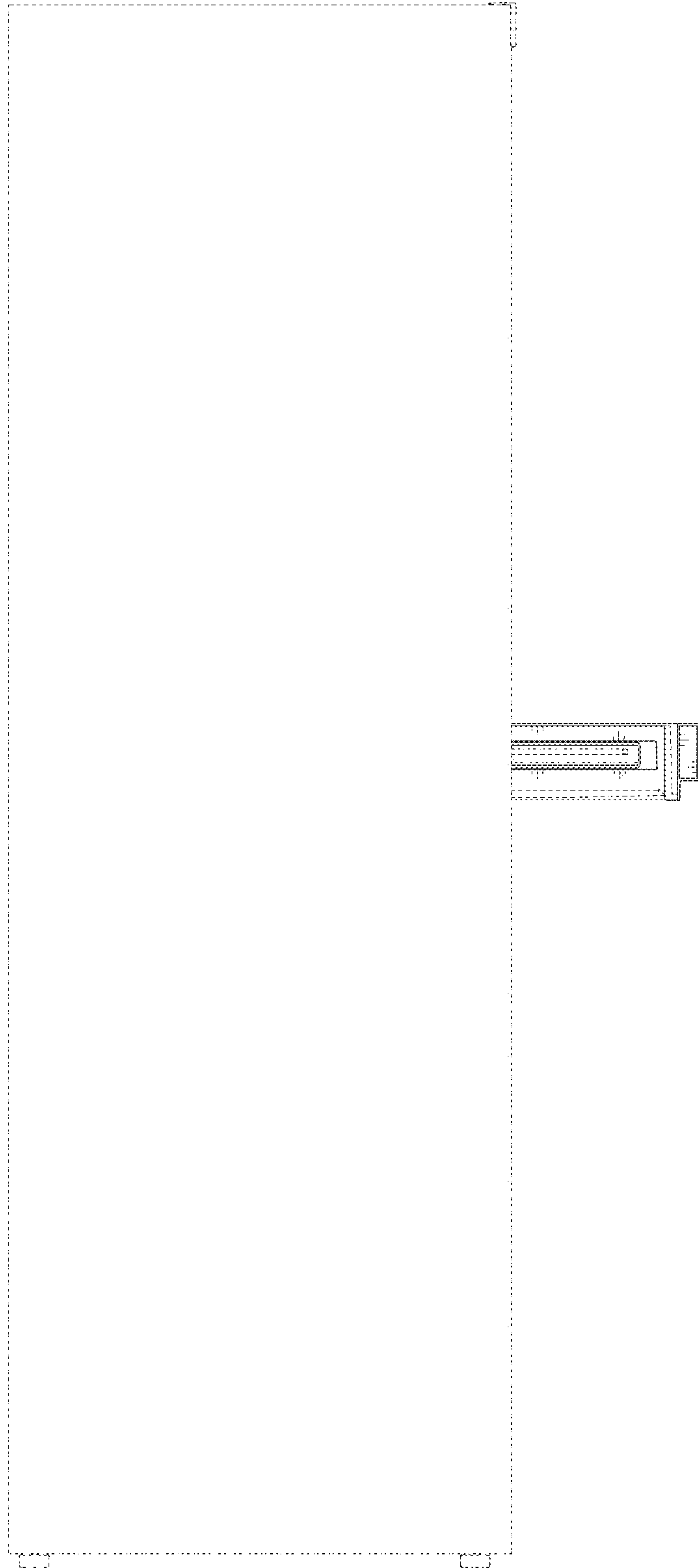


FIG. 12

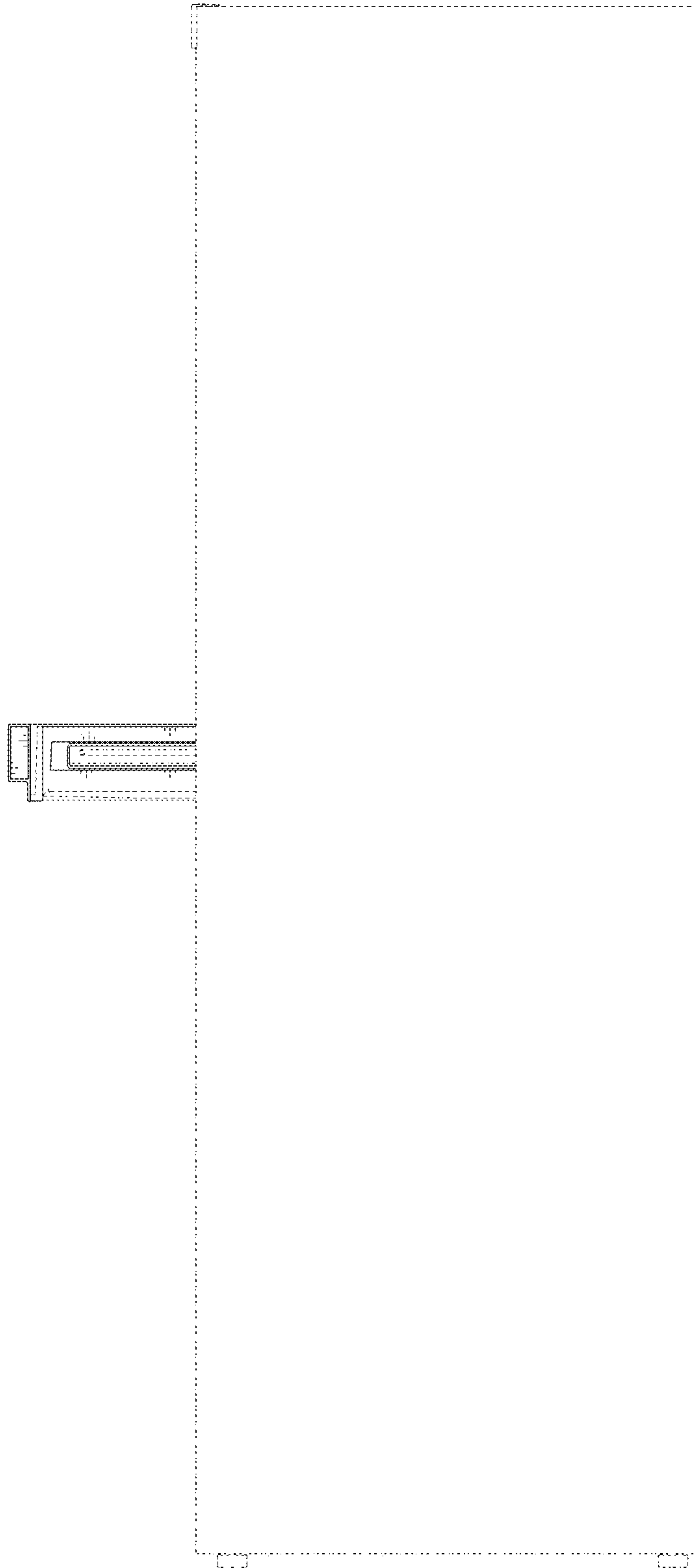


FIG. 13

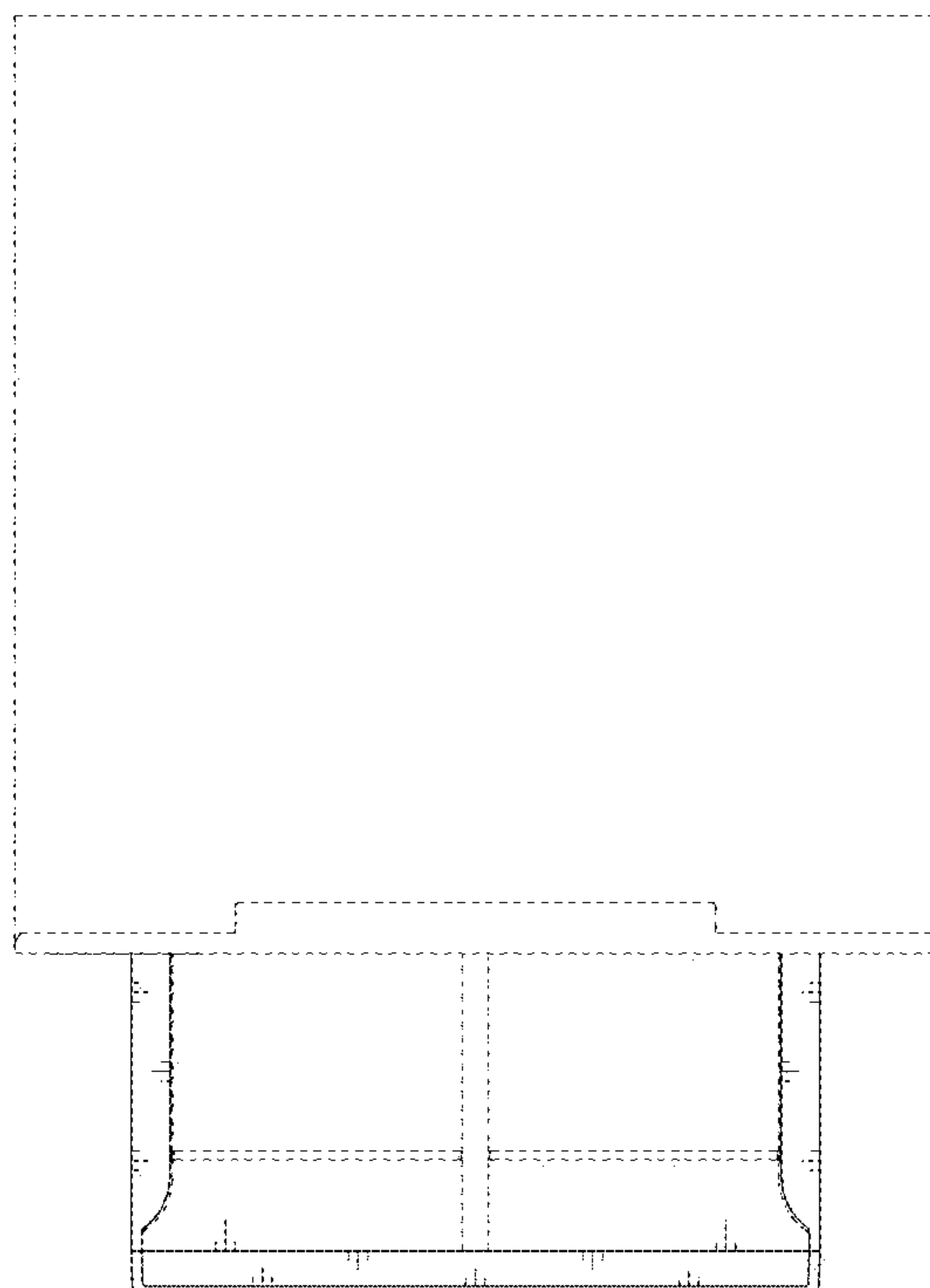


FIG. 14

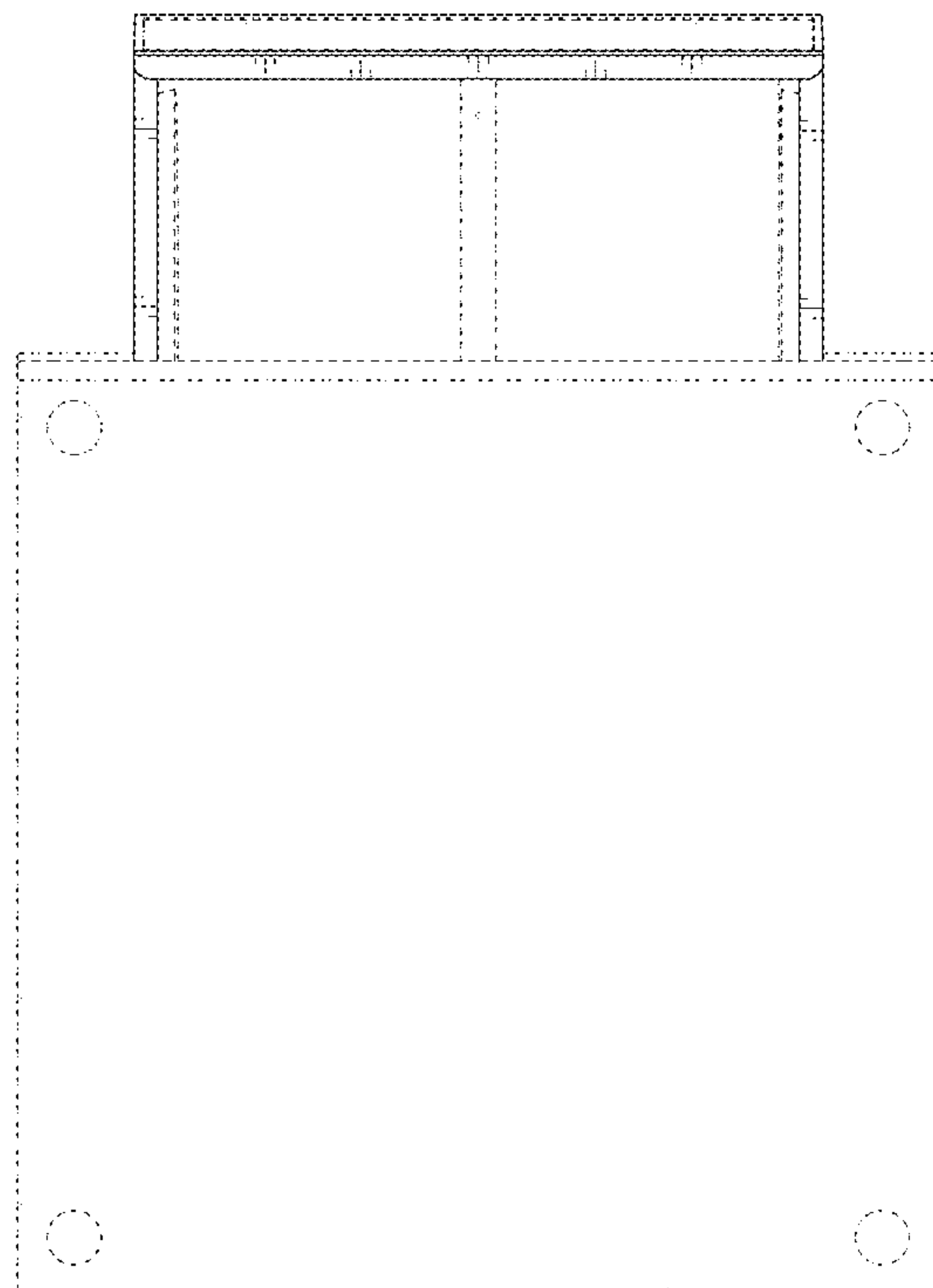


FIG. 15

