



US00D989130S

(12) **United States Design Patent**
Sherman et al.

(10) **Patent No.:** **US D989,130 S**
(45) **Date of Patent:** **** Jun. 13, 2023**

(54) **QUILTING FOOT**

(71) Applicant: **Gammill, Inc.**, West Plains, MO (US)

(72) Inventors: **Rachael Kathleen Sherman**, Columbia, MO (US); **Michelle Weaver**, West Plains, MO (US); **Matthew Sherman**, Columbia, MO (US)

(73) Assignee: **Gammill, Inc.**, West Plains, MO (US)

(**) Term: **15 Years**

(21) Appl. No.: **29/805,958**

(22) Filed: **Aug. 31, 2021**

(51) **LOC (14) Cl.** **15-06**

(52) **U.S. Cl.**
USPC **D15/72**

(58) **Field of Classification Search**
USPC D15/72, 78
CPC D05B 29/06; D05B 29/12; D05C 9/02;
D05C 11/00

See application file for complete search history.

(56) **References Cited**

U.S. PATENT DOCUMENTS

948,683	A *	2/1910	Ellis	D05B 29/02 112/236
954,990	A *	4/1910	Noble	D05B 29/06 112/235
5,515,797	A *	5/1996	Janouschek	D05B 29/08 112/235
D397,698	S *	9/1998	Rendahl	D15/72
D508,501	S *	8/2005	Kawaguchi	D15/78
D514,135	S *	1/2006	Kawaguchi	D15/72

D515,112	S *	2/2006	Kawaguchi	D15/78
D600,256	S *	9/2009	Anezaki	D15/78
9,279,204	B2 *	3/2016	Tomizawa	D05C 9/02
D867,406	S *	11/2019	Honda	D15/72
2017/0073866	A1 *	3/2017	Okada	D05B 29/02

OTHER PUBLICATIONS

Approach Spoon Foot, available in gammill.com, no date found [online], [site visited Jan. 9, 2023], Internet URL:https://gammill.com/product/approachtm-spoon-foot/ (Year: 2023).*

* cited by examiner

Primary Examiner — Calvin E Vansant

Assistant Examiner — Eidiol Ghighliotty Torres

(74) *Attorney, Agent, or Firm* — Husch Blackwell LLP

(57) **CLAIM**

We claim the ornamental design for a quilting foot, as shown and described.

DESCRIPTION

FIG. 1 is a left perspective view of a quilting foot; FIG. 2 is a right perspective view of the quilting foot; FIG. 3 is a top plan view of the quilting foot; FIG. 4 is a left side elevation view of the quilting foot; FIG. 5 is a front elevation view of the quilting foot; FIG. 6 is a bottom plan view of the quilting foot; FIG. 7 is a right side elevation view of the quilting foot; and, FIG. 8 is a rear elevation view of the quilting foot. The portions of the quilting foot shown in broken lines in the figures depict environmental subject matter only and form no part of the claimed design.

1 Claim, 4 Drawing Sheets

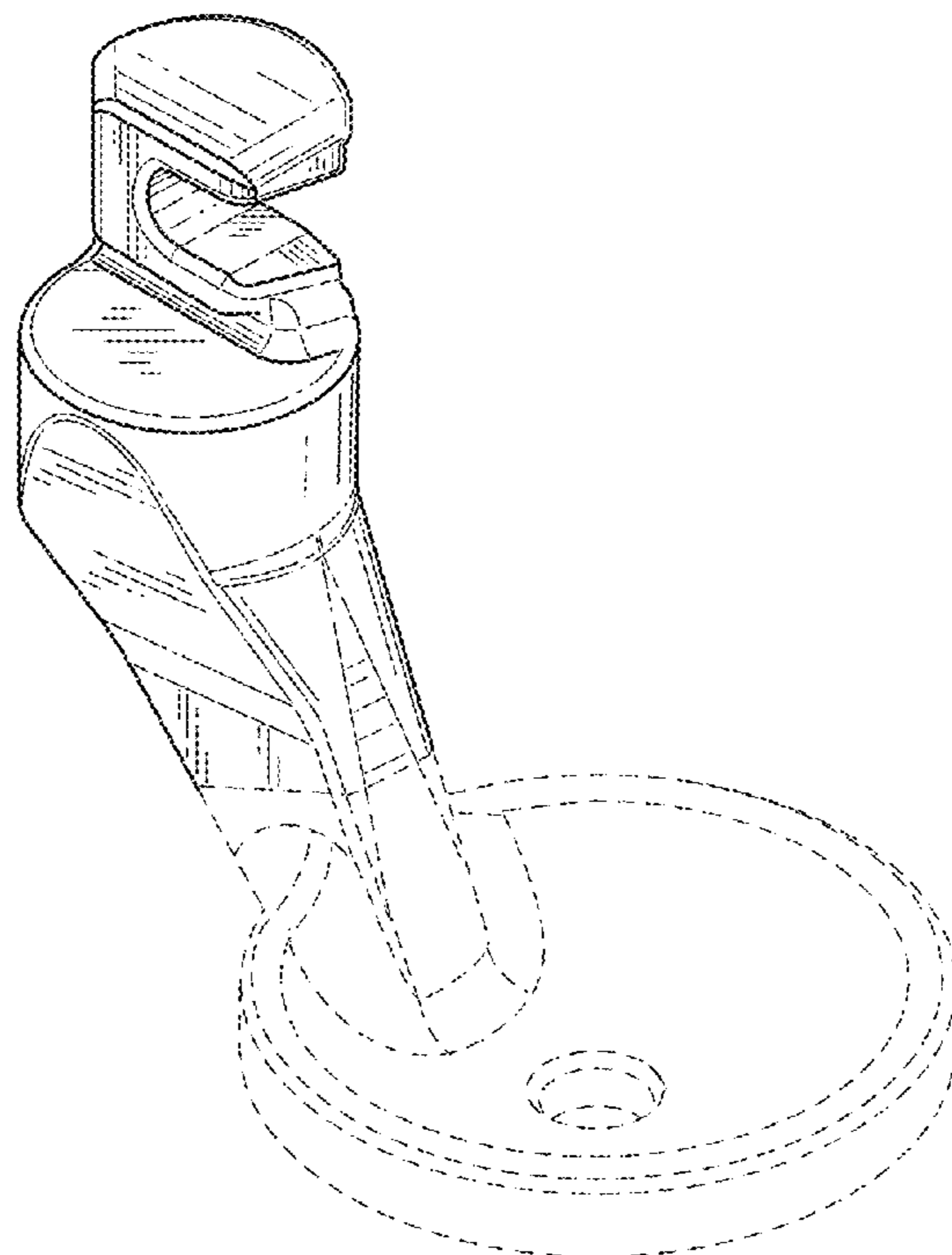


FIG. 1

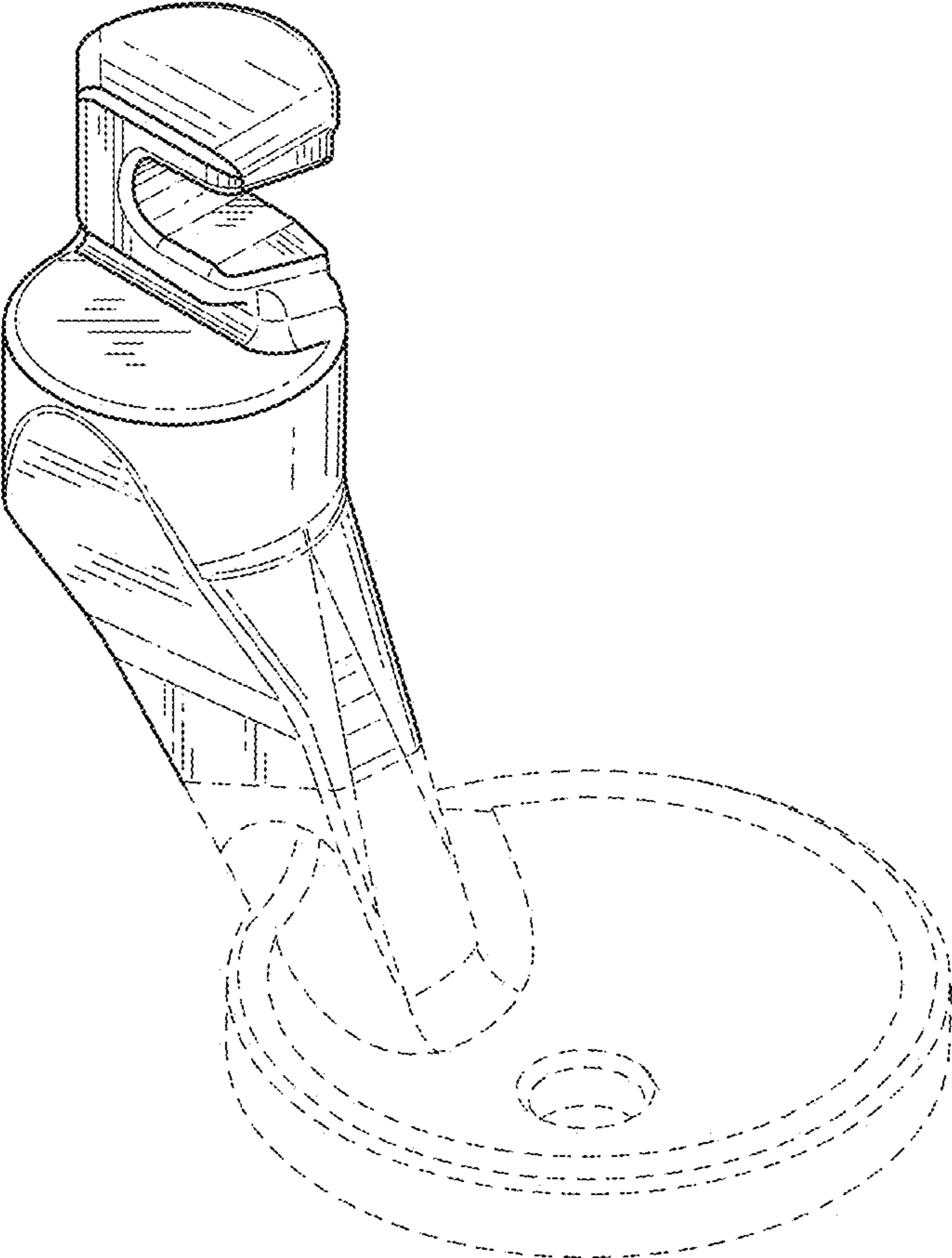


FIG. 2

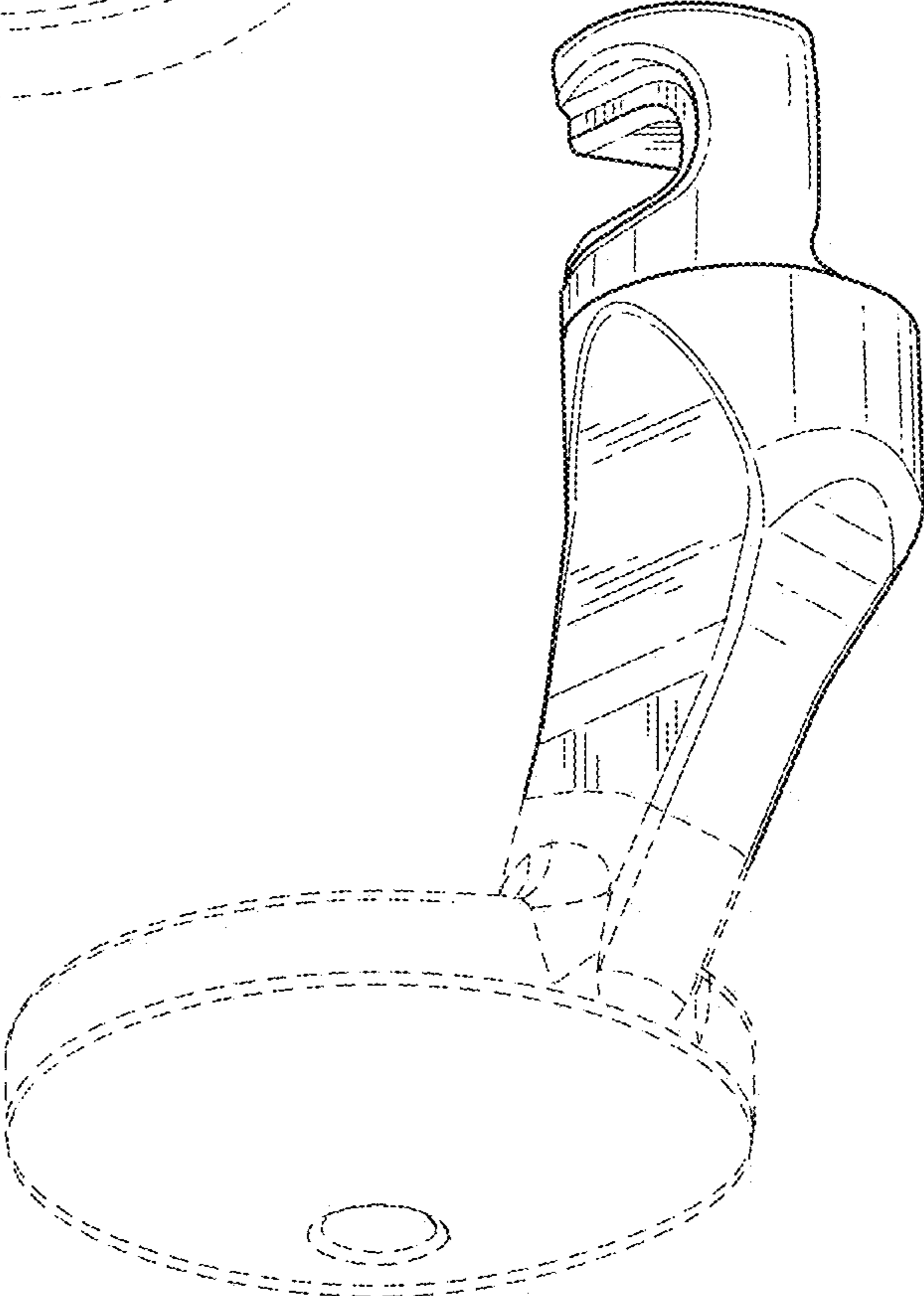


FIG. 3

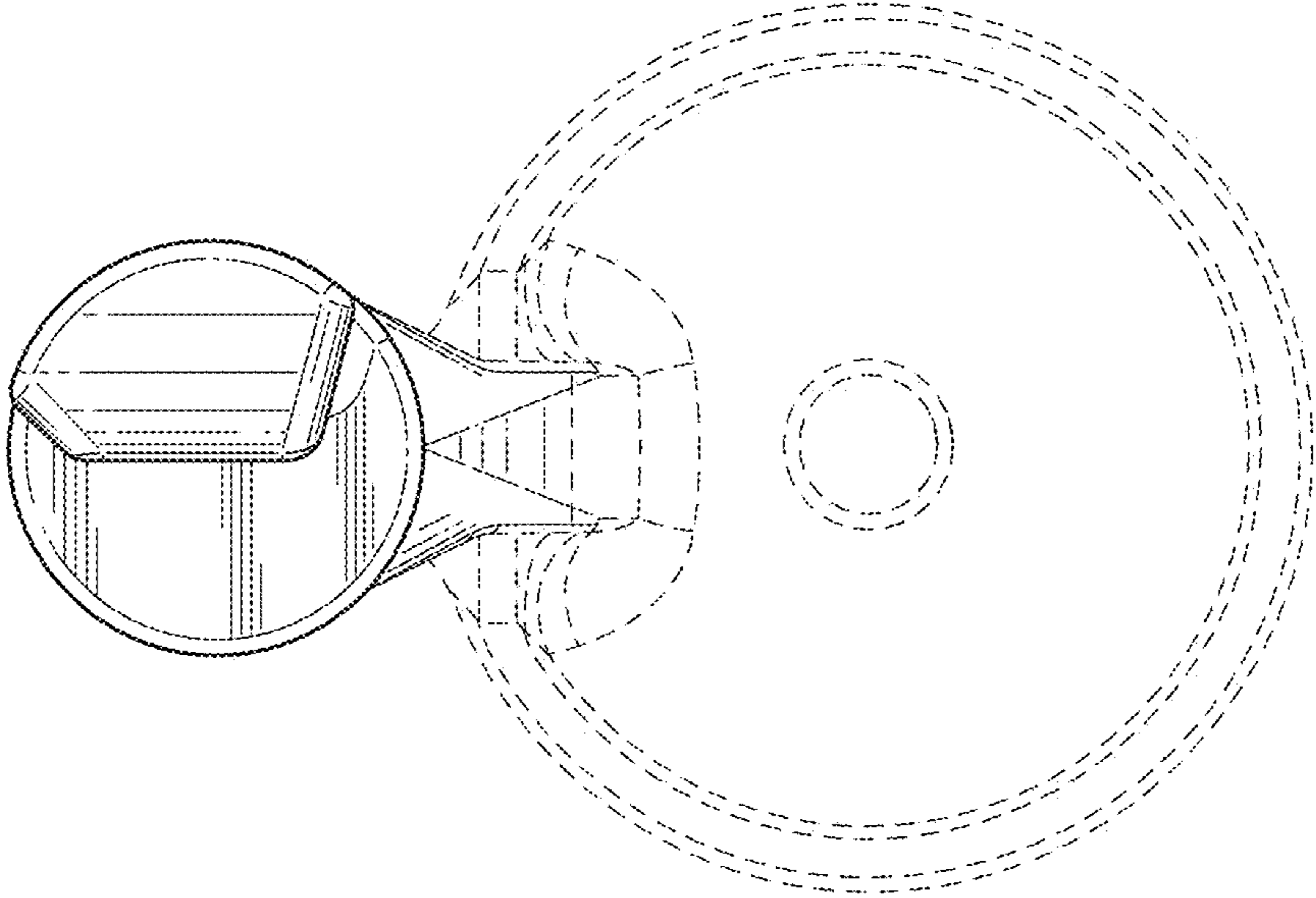


FIG. 4

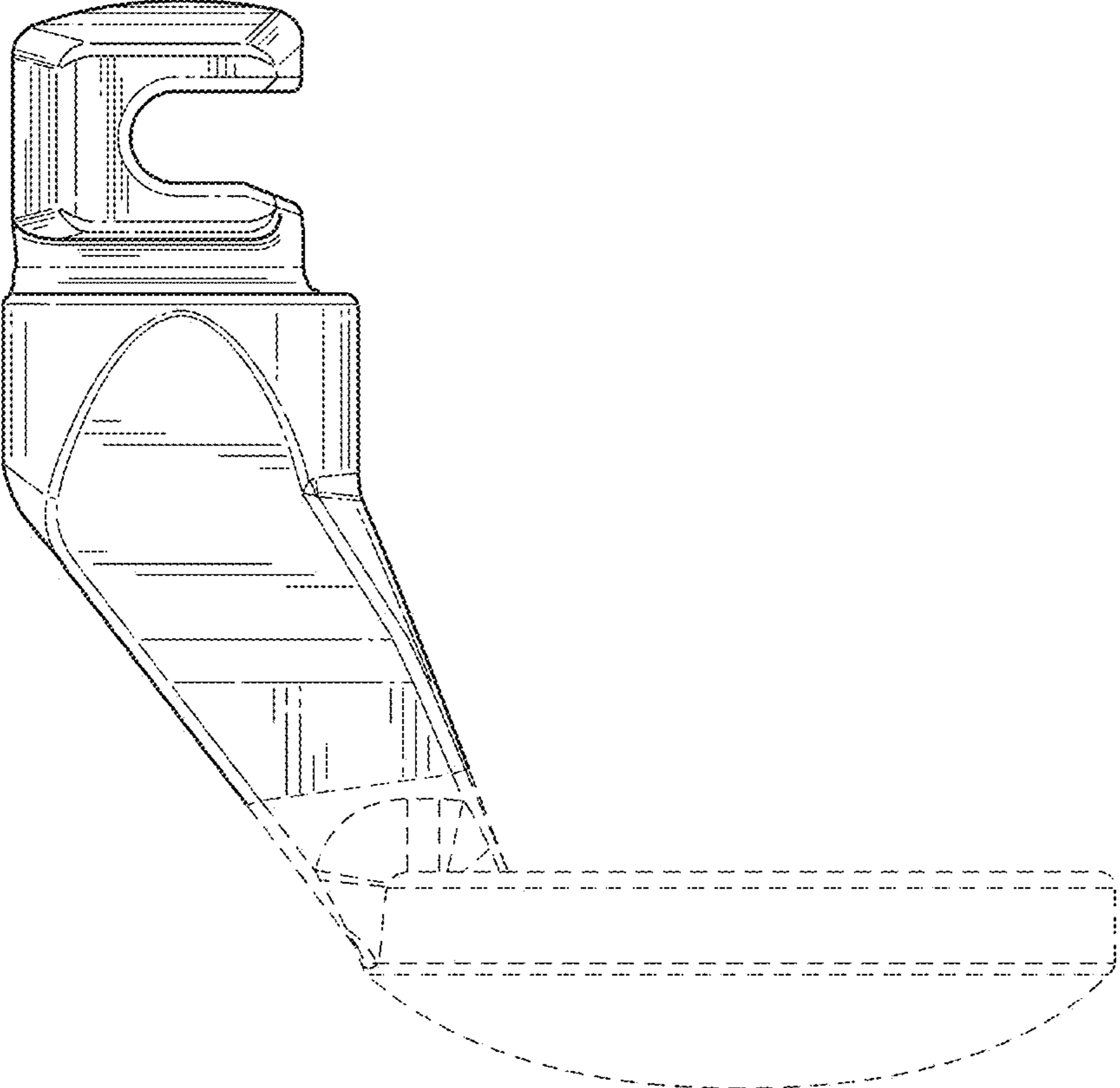


FIG. 5

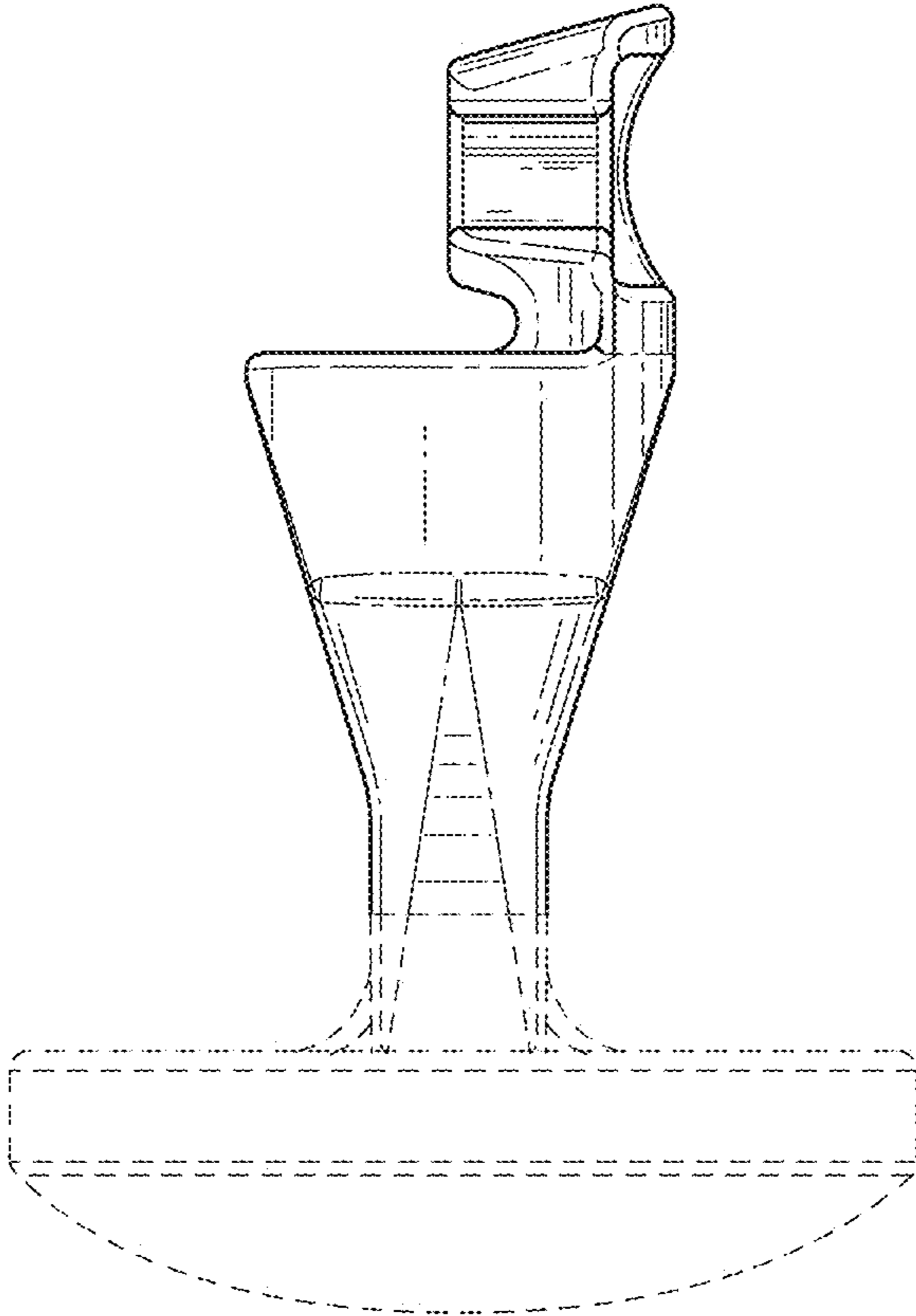


FIG. 6

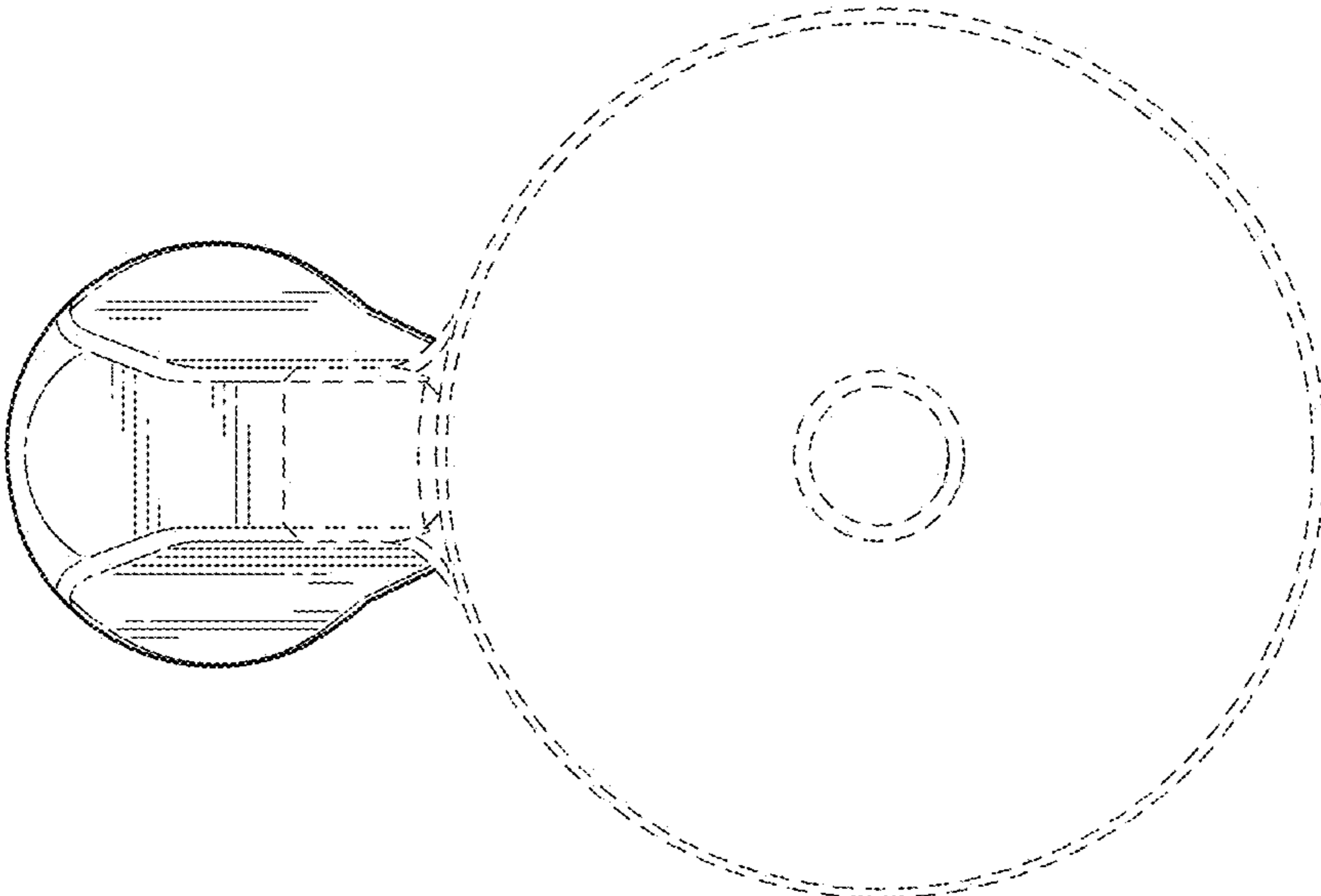


FIG. 7

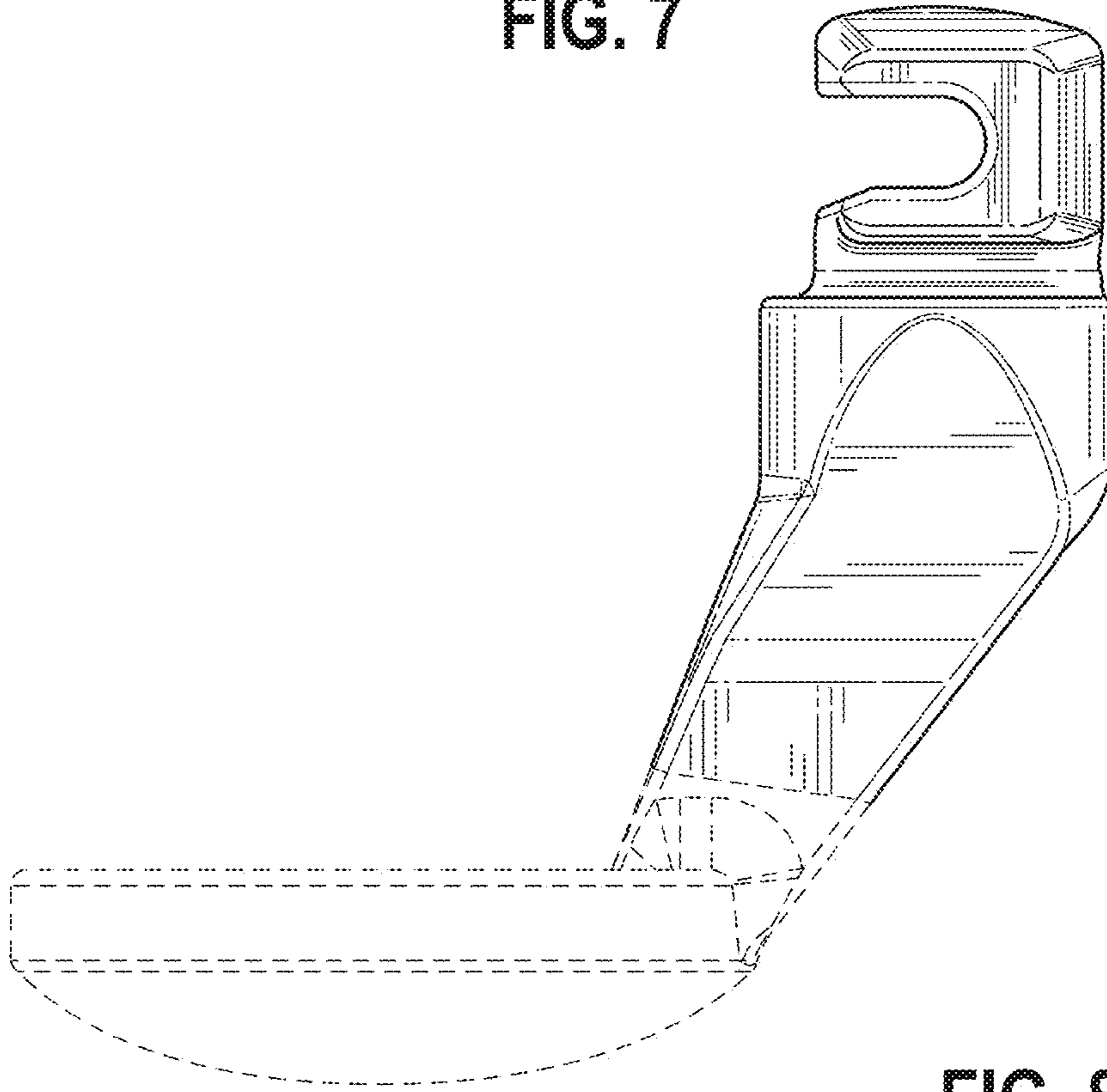


FIG. 8

