



US00D989127S

(12) **United States Design Patent**
Bell et al.

(10) **Patent No.:** **US D989,127 S**
(45) **Date of Patent:** **** Jun. 13, 2023**

- (54) **ELECTRONIC FUEL INJECTION THROTTLE BODY SYSTEM**
- (71) Applicant: **MSD LLC**, Bowling Green, KY (US)
- (72) Inventors: **Robert M. Bell**, Bowling Green, KY (US); **Matthew D. Lunsford**, Bowling Green, KY (US); **William Kangas**, Bowling Green, KY (US)
- (73) Assignee: **MSD LLC**, Bowling Green, KY (US)

D508,496 S 8/2005 Grant
 D555,668 S 11/2007 Benoit
 7,343,896 B2 3/2008 Grant
 D578,550 S 10/2008 Benoit
 D648,746 S 11/2011 Tipton
 (Continued)

FOREIGN PATENT DOCUMENTS

AU 2001014879 8/2001
 AU 339157 10/2011
 (Continued)

(**) Term: **15 Years**

OTHER PUBLICATIONS

(21) Appl. No.: **29/765,192**

Australian Application No. 2017251869 filed Oct. 30, 2017 titled Electronic Fuel Injection Throttle Body Assembly.
 (Continued)

(22) Filed: **Jan. 6, 2021**

(51) **LOC (14) Cl.** **15-01**

(52) **U.S. Cl.**
USPC **D15/5**

(58) **Field of Classification Search**
 USPC D15/1, 2, 3, 4, 5, 6
 CPC F02M 69/52; F02M 69/043; F02M 69/462;
 F02M 69/54; F02M 63/0056; F02M
 63/02; F02M 51/005; F02M 51/02; F02M
 69/04; F02D 9/1035; F02D 9/105; F02D
 11/10

See application file for complete search history.

Primary Examiner — Ania Aman
 (74) *Attorney, Agent, or Firm* — Dinsmore & Shohl LLP

(57) **CLAIM**

The ornamental design for an electronic fuel injection throttle body system, as shown and described.

DESCRIPTION

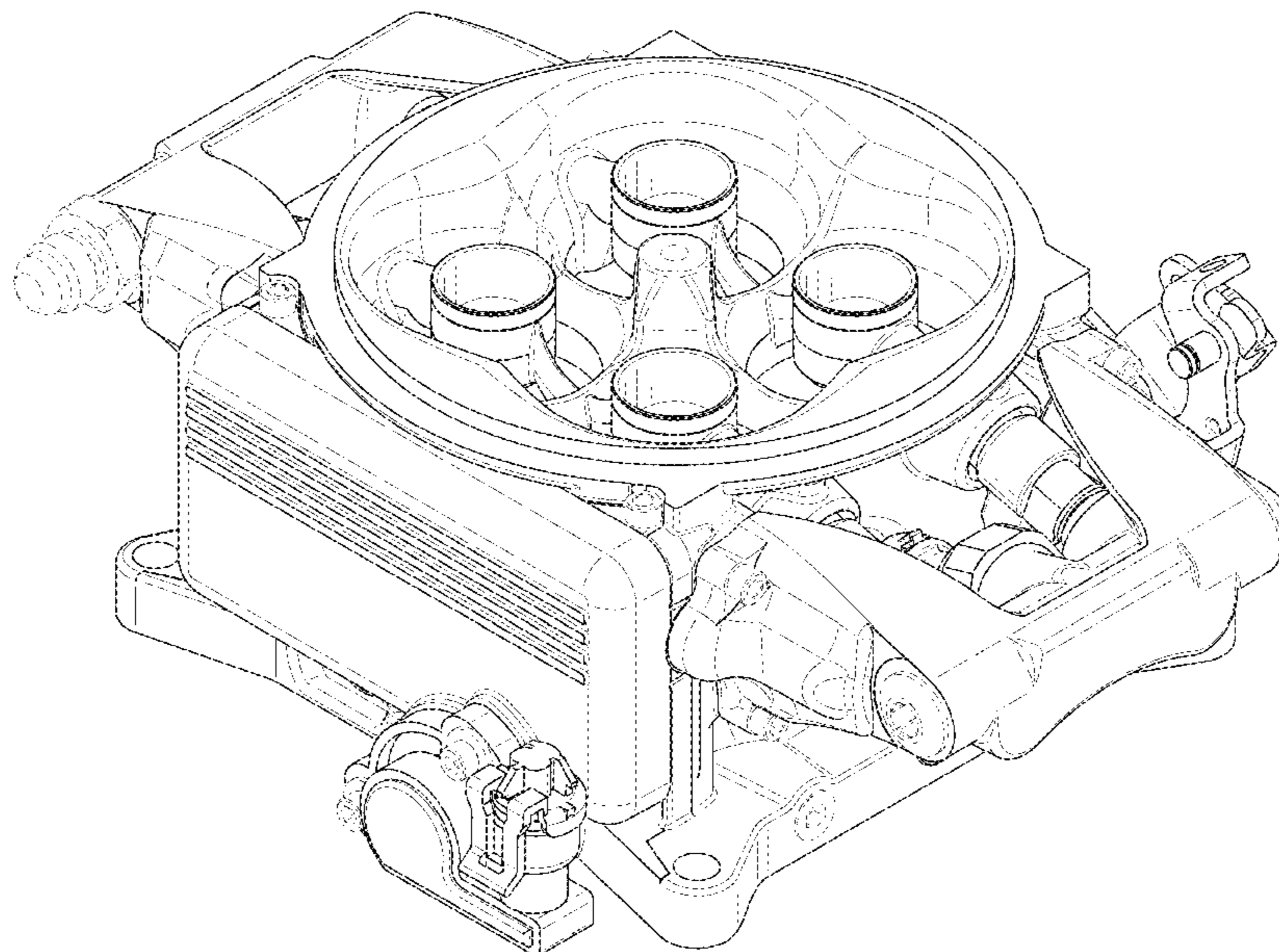
FIG. 1 is an upper perspective view of a design of an electronic fuel injection throttle body system; FIG. 2 is a lower perspective view of the design of FIG. 1; FIG. 3 is a top view of the design of FIG. 1; FIG. 4 is a bottom view of the design of FIG. 1; FIG. 5 is a first side view of the design of FIG. 1; FIG. 6 is a second side view of the design of FIG. 1; FIG. 7 is a front view of the design of FIG. 1; and, FIG. 8 is a rear view of the design of FIG. 1. The broken lines shown in the drawings are included for the purpose of illustrating the unclaimed boundary or unclaimed portions of the electronic fuel injection throttle body system. The broken lines form no part of the claimed design.

(56) **References Cited**

U.S. PATENT DOCUMENTS

4,357,283 A 11/1982 Manning
 4,802,902 A 2/1989 Bauerle
 5,667,730 A * 9/1997 Barfield F02M 1/16
 261/DIG. 50
 5,809,972 A * 9/1998 Grant F02M 71/00
 261/DIG. 82
 5,863,470 A 1/1999 Grant
 D447,147 S 8/2001 Grant
 6,481,698 B1 11/2002 Calvin

1 Claim, 8 Drawing Sheets



(56)

References Cited

U.S. PATENT DOCUMENTS

D655,311	S	3/2012	Gieske
D659,714	S	5/2012	Gieske
D721,389	S	1/2015	Gieske
9,115,671	B2	8/2015	Benoit
9,303,578	B2	4/2016	Wittkopf
9,376,997	B1 *	6/2016	Farrell F02M 63/0056
D760,804	S	7/2016	Shehan
9,441,571	B2	9/2016	Petersen
9,845,740	B2	12/2017	Wittkopf
D808,435	S	1/2018	Shehan
D810,142	S	2/2018	Shehan
10,012,197	B2	7/2018	Flynn
10,094,353	B2	10/2018	Bennett
10,294,902	B2	5/2019	Shehan
D877,201	S	3/2020	Shehan
D900,875	S	11/2020	Bell
D900,876	S	11/2020	Bell
D902,257	S	11/2020	Whittle
10,830,195	B2	11/2020	Shehan
10,859,004	B2	12/2020	Shehan
10,920,684	B2	2/2021	Bell
D921,049	S	6/2021	Shehan
D924,273	S	7/2021	Shehan
D925,606	S	7/2021	Shehan
11,118,515	B2	9/2021	Shehan
D933,713	S	10/2021	Bell
2013/0298871	A1	11/2013	Bennett
2019/0242345	A1	8/2019	Shehan
2019/0345905	A1	11/2019	Whittle
2020/0167496	A1	5/2020	Flynn
2021/0054813	A1	2/2021	Shehan
2021/0071592	A1	3/2021	Shehan
2021/0231061	A1	7/2021	Shehan

FOREIGN PATENT DOCUMENTS

AU	341133	2/2012
AU	348732	5/2013
AU	348733	5/2013
AU	348734	5/2013
AU	356762	8/2014
AU	201710470	2/2017
AU	201710471	2/2017
AU	2013254906	11/2017
AU	201813353	8/2018
AU	201813355	8/2018
AU	201815034	9/2018
AU	201815036	9/2018
AU	201816623	12/2018
AU	201816624	12/2018

AU	202010277	3/2020
AU	202010279	3/2020
AU	202112128 A1	5/2021
AU	202112129 A1	5/2021
CA	2391589	5/2001
CA	2832503 A1	5/2014
CA	184482	9/2019
CA	184483	9/2019
EM	003729599	1/2017
MX	57188	11/2019
MX	58885	11/2020
WO	2019112961 A1	6/2019
WO	2019112963 A1	6/2019
WO	2019217311 A1	11/2019
WO	2019217436 A1	11/2019

OTHER PUBLICATIONS

Australian Application No. 2019267442 filed May 6, 2019 titled Electronic Fuel Injection Throttle Body Assembly.
 Australian Application No. 2019267570 filed May 7, 2019 title Electronic Fuel Injection Throttle Body Assembly.
 Australian Application No. 2018378313 entered national stage Jun. 26, 2020 titled Electronic Fuel Injection Throttle Body Assembly.
 Australian Application No. 2018378315 entered national stage Jun. 26, 2020 titled Electronic Fuel Injection Throttle Body Assembly.
 Design U.S. Appl. No. 29/787,922, filed Jun. 9, 2021 titled EFI Throttle Body.
 Design U.S. Appl. No. 29/707,397, filed Sep. 27, 2019 titled Electronic Fuel Injection Throttle Body.
 Design U.S. Appl. No. 29/797,399, filed Sep. 27, 2019 titled Electronic Fuel Injection Throttle Body.
 Design U.S. Appl. No. 29/810,561, filed Oct. 6, 2021 titled Electronic Fuel Injection Throttle Body.
 Design U.S. Appl. No. 29/741,694, filed Jul. 15, 2020 titled Electronic Fuel Injection Throttle Body.
 Design U.S. Appl. No. 29/726,081, filed Feb. 28, 2020 titled Electronic Fuel Injection Throttle Body.
 Design U.S. Appl. No. 29/765,193, filed Jan. 6, 2021 titled Cover for Engine Control Unit.
 Holley 2017 New & Hot Products (2016).
 Wikipedia, Quadrajets, Rochester Products spread bore carburetor introduced in 1964, retrieved from internet on Apr. 16, 2019.
 Mopar Performance P5249686 Jeep MPI-Fuel, Sep. 2, 2016.
 Howell EFI Fuel Injection Conversion Kit, JP258, Apr. 29, 2015.
 F.A.S.T. EZ-EFI Self-Tuning Fuel Injection Systems 30294-Kit TBI Conversion Kit, Jun. 30, 2015.
 Youtube video, "Holley Terminator EFI Kit Electronic Fuel Injection", May 6, 2015. Retrieved from <https://www.youtube.com/watch?v=hrTppUkNAn0>; retrieved on Jul. 1, 2019.

* cited by examiner

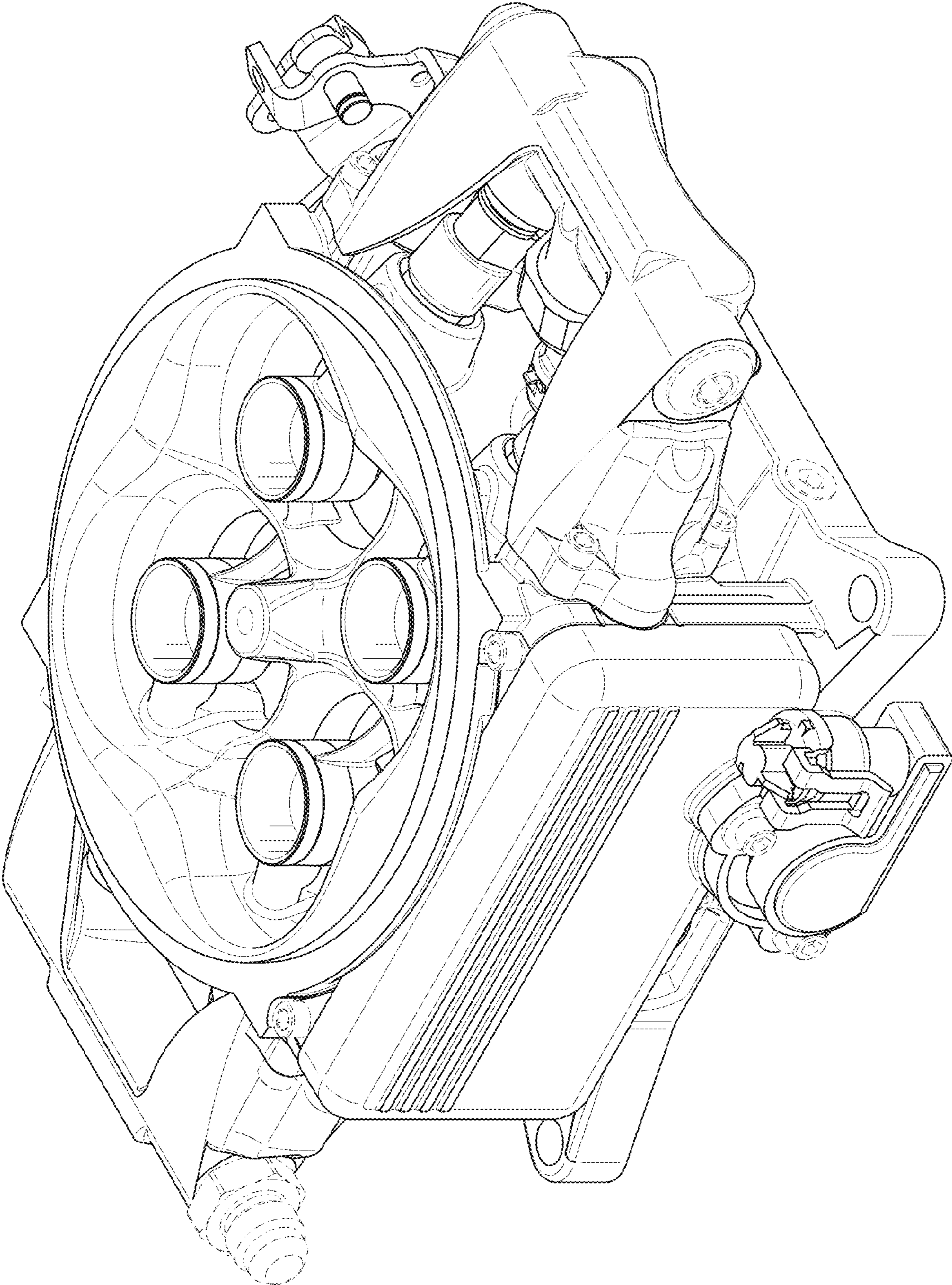


FIG. 1

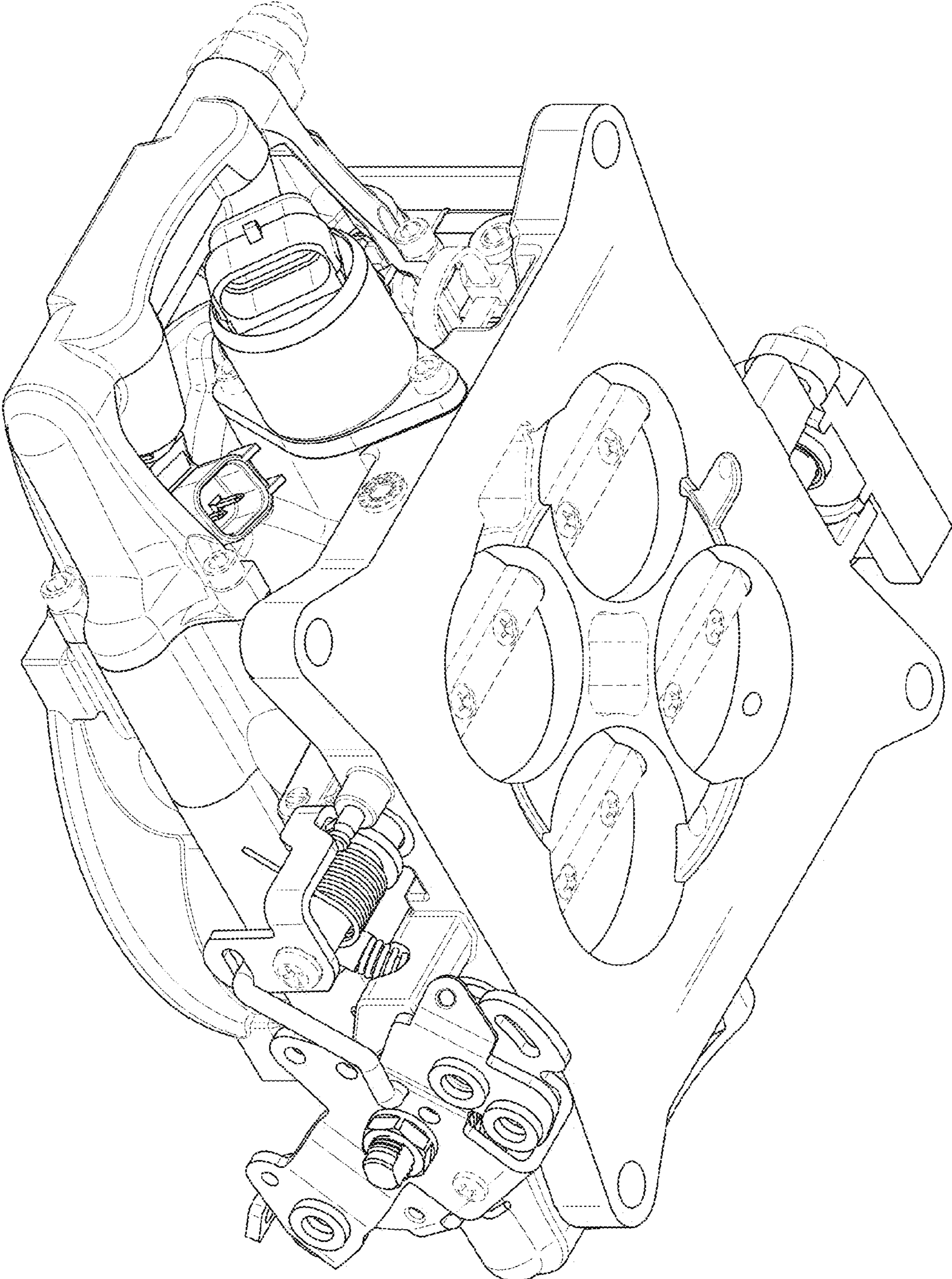


FIG. 2

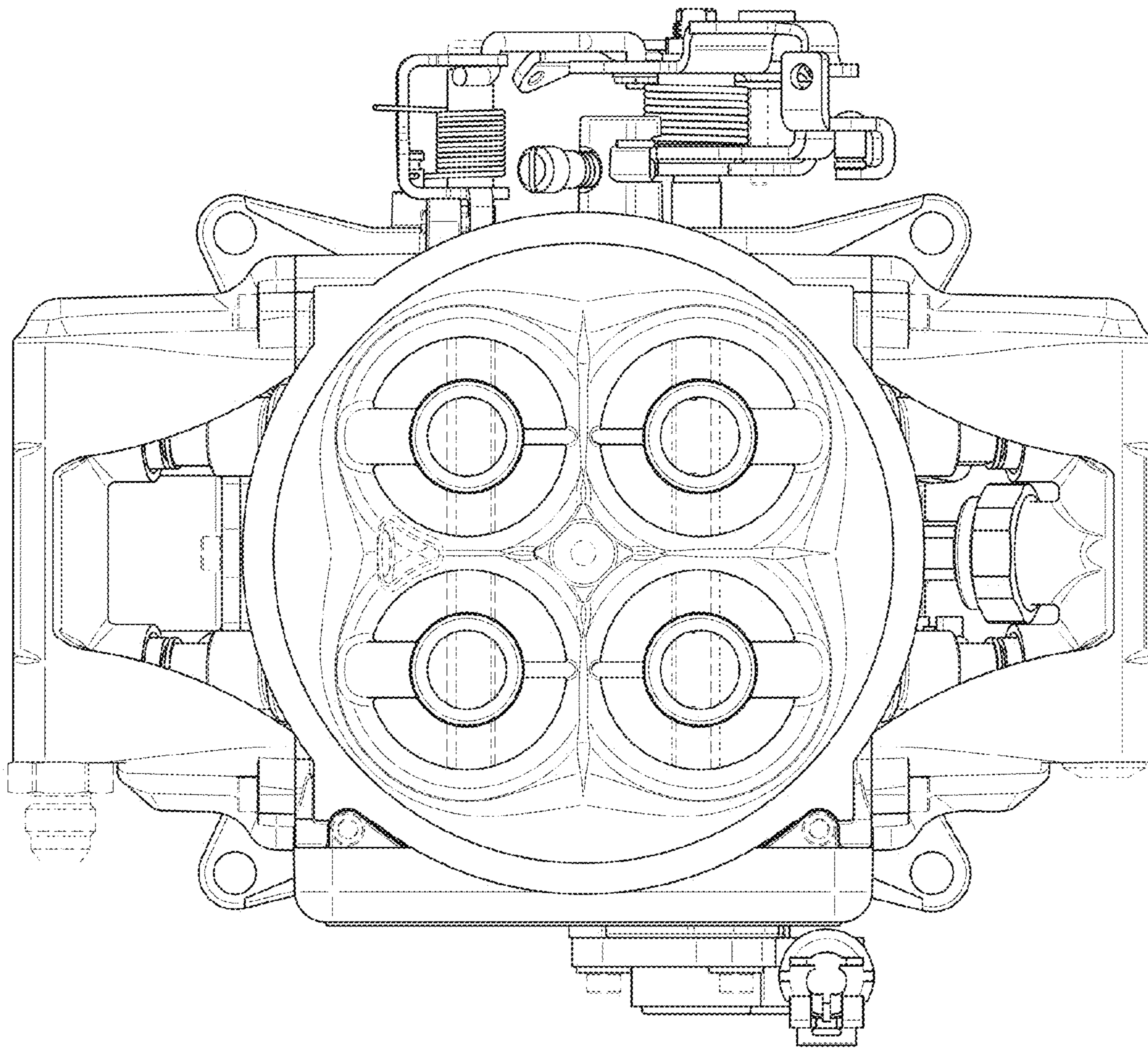


FIG. 3

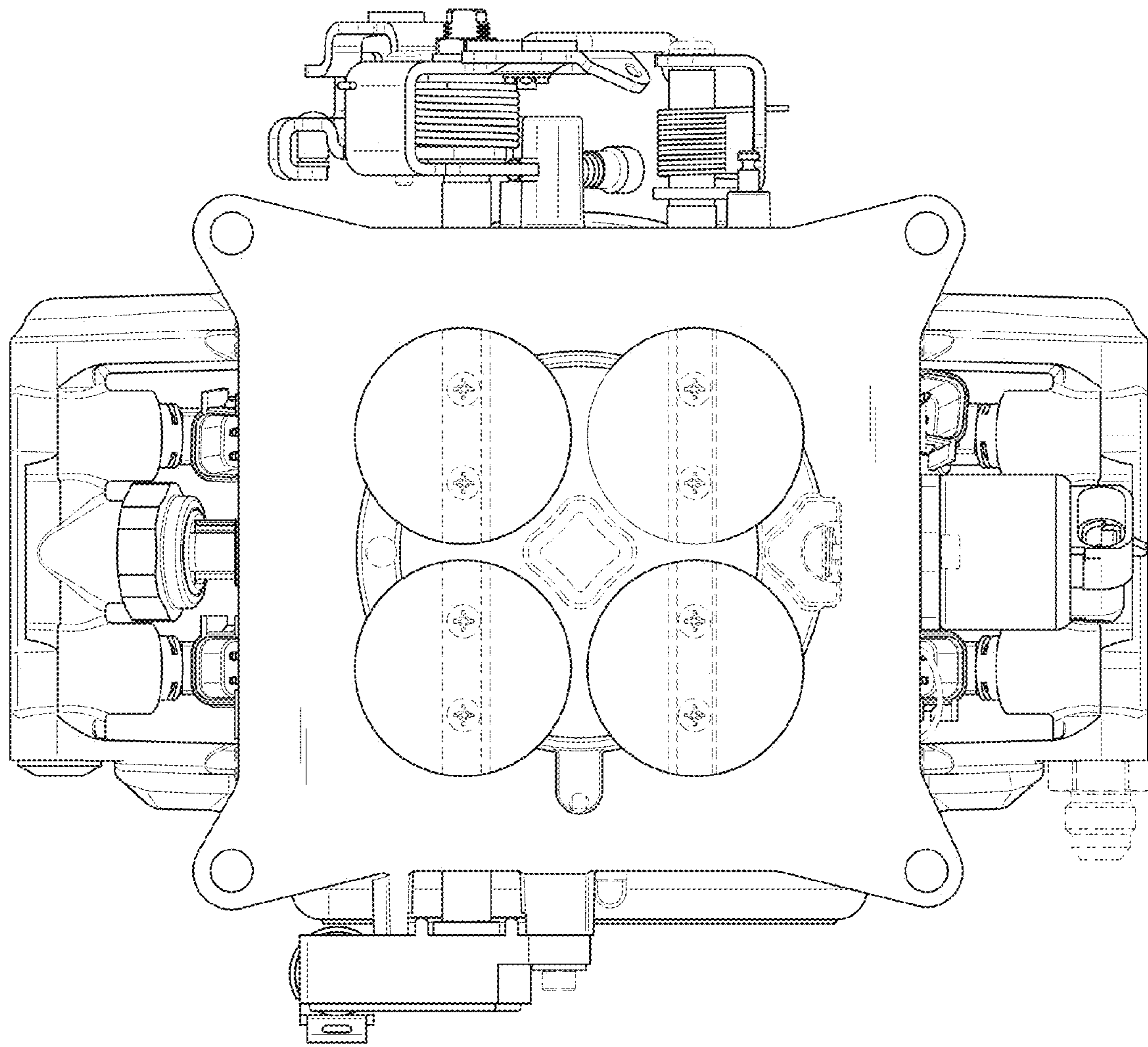


FIG. 4

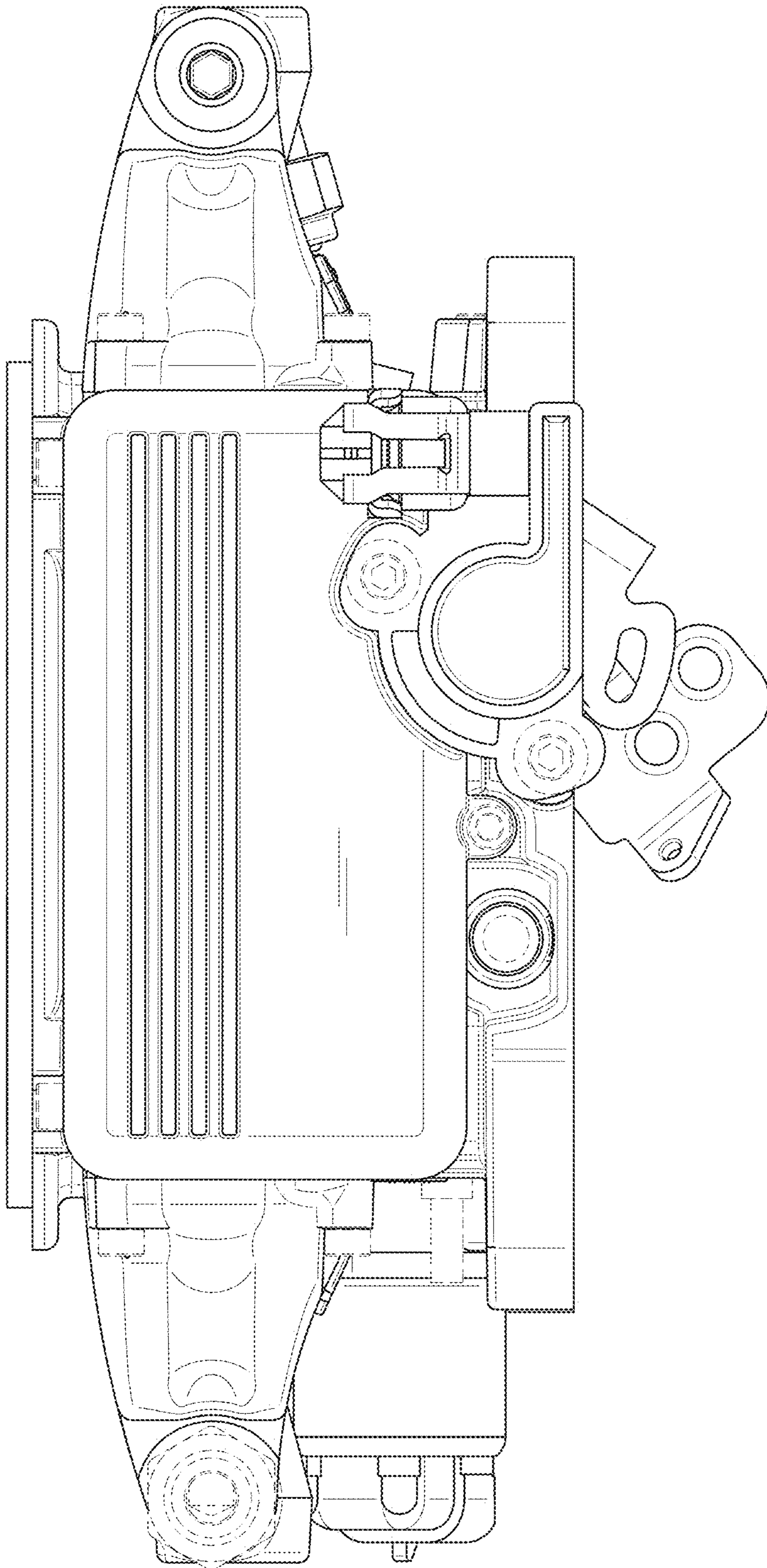


FIG. 5

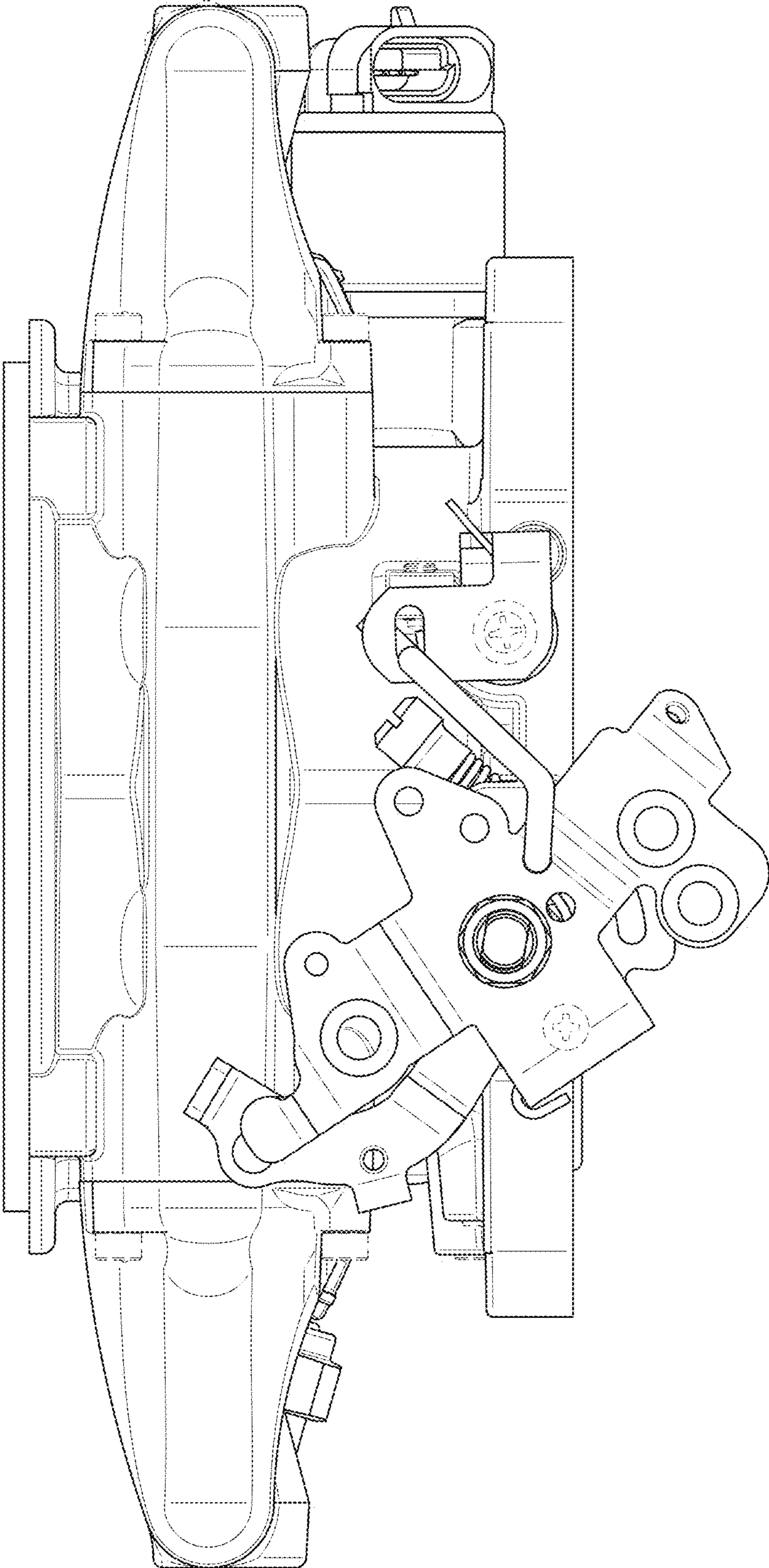


FIG. 6

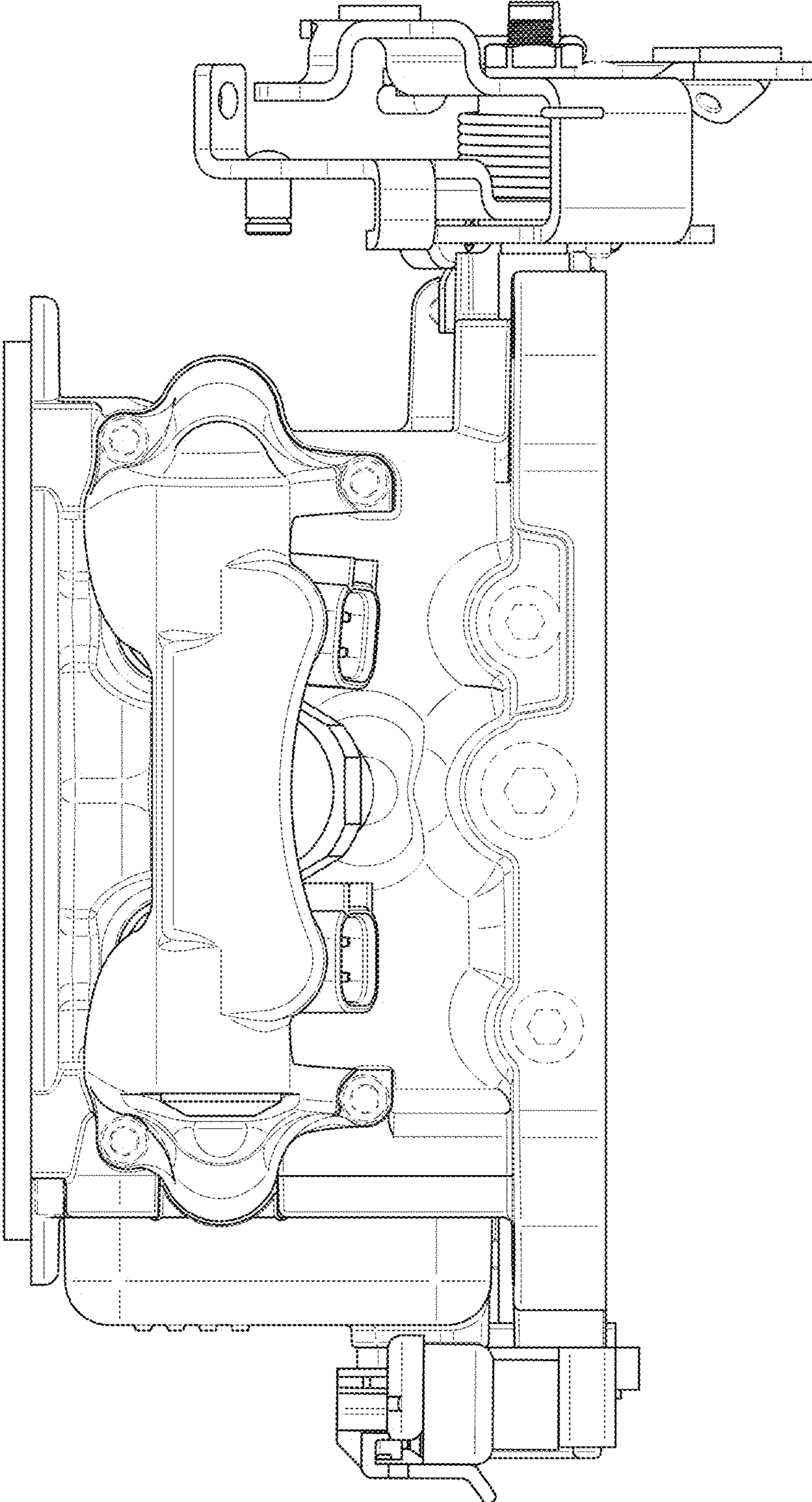


FIG. 7

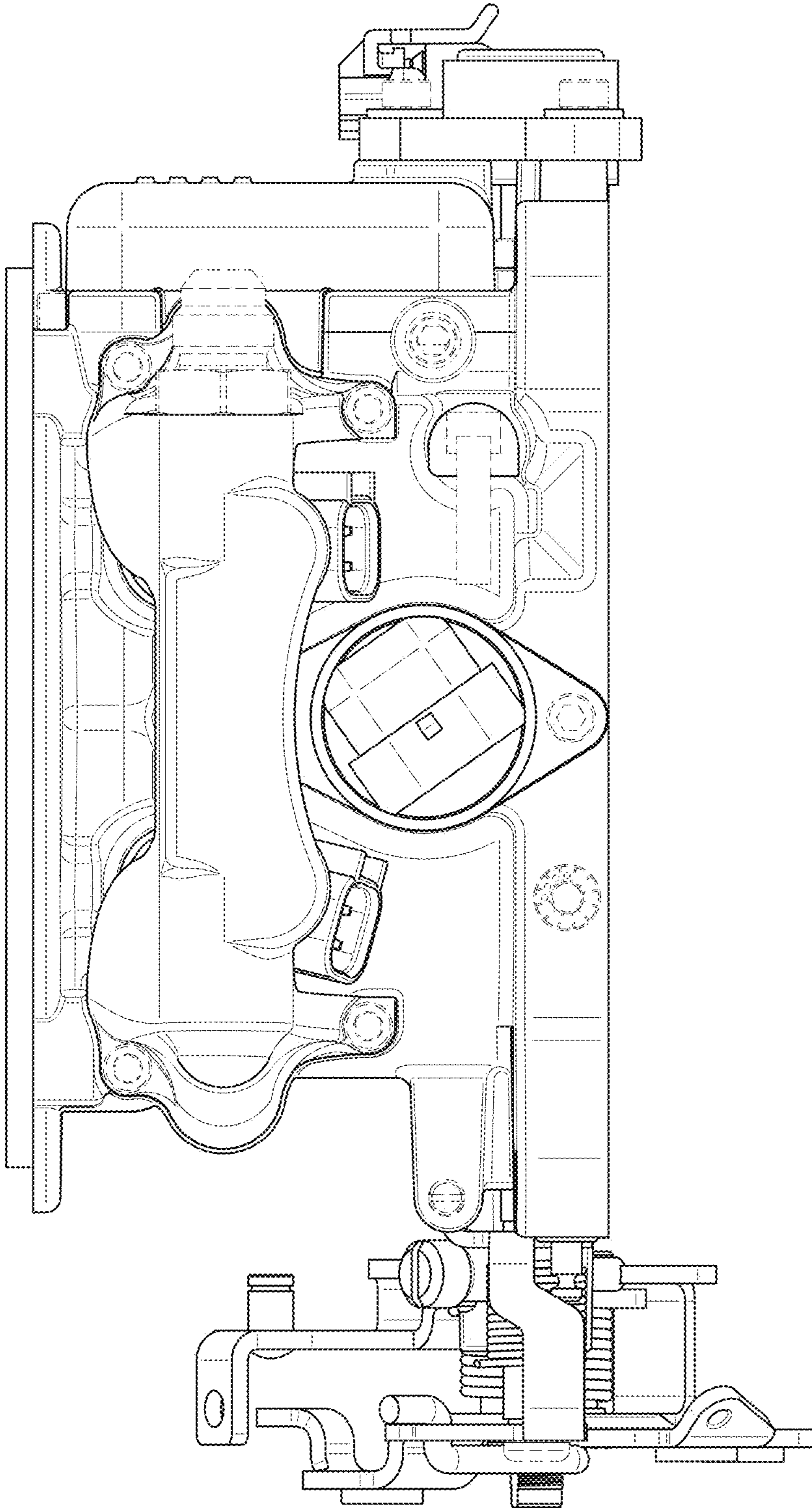


FIG. 8