



US00D989124S

(12) **United States Design Patent**  
**Sakuma**

(10) **Patent No.:** **US D989,124 S**

(45) **Date of Patent:** **\*\* Jun. 13, 2023**

(54) **DIGITAL CAMERA DISPLAY SCREEN OR PORTION THEREOF WITH A TRANSITIONAL GRAPHICAL USER INTERFACE**

(71) Applicant: **FUJIFILM Corporation**, Tokyo (JP)

(72) Inventor: **Nanae Sakuma**, Saitama (JP)

(73) Assignee: **FUJIFILM Corporation**, Tokyo (JP)

(\*\*) Term: **15 Years**

(21) Appl. No.: **29/744,411**

(22) Filed: **Jul. 29, 2020**

(30) **Foreign Application Priority Data**

Jan. 31, 2020 (JP) ..... 2020-001900 D  
Jan. 31, 2020 (JP) ..... 2020-001901 D

(51) **LOC (14) Cl.** ..... **14-04**

(52) **U.S. Cl.**  
USPC ..... **D14/485**

(58) **Field of Classification Search**  
USPC ..... D14/485–495  
CPC .... G06F 3/048; G06F 3/0481; G06F 3/04812;  
G06F 3/04815; G06F 3/04817; G06F  
3/0482; G06F 3/0483; G06F 3/0484;  
G06F

(Continued)

(56) **References Cited**

**U.S. PATENT DOCUMENTS**

D830,379 S \* 10/2018 Li ..... D14/485  
D831,685 S \* 10/2018 Peeten ..... D14/486

(Continued)

*Primary Examiner* — Daniel J Domino

(74) *Attorney, Agent, or Firm* — Studebaker & Brackett  
PC

(57) **CLAIM**

The ornamental designs for a digital camera display screen or portion thereof with transitional graphical user interface, as shown and described.

**DESCRIPTION**

FIG. 1 is a perspective view of a first embodiment of a digital camera display screen or portion thereof with a transitional graphical user interface, showing the new design;

FIG. 2 is a front view thereof;

FIG. 3 is a rear view thereof;

FIG. 4 is a top view thereof;

FIG. 5 is a left side view thereof;

FIG. 6 is an enlarged view of the graphical user interface of FIG. 1 showing a first image of a transitional graphical user interface;

FIG. 7 is a second image thereof;

FIG. 8 is a perspective view of a second embodiment of a digital camera display screen or portion thereof with a transitional graphical user interface, showing the new design;

FIG. 9 is a front view thereof;

FIG. 10 is a rear view thereof;

FIG. 11 is a top view thereof;

FIG. 12 is a left side view thereof;

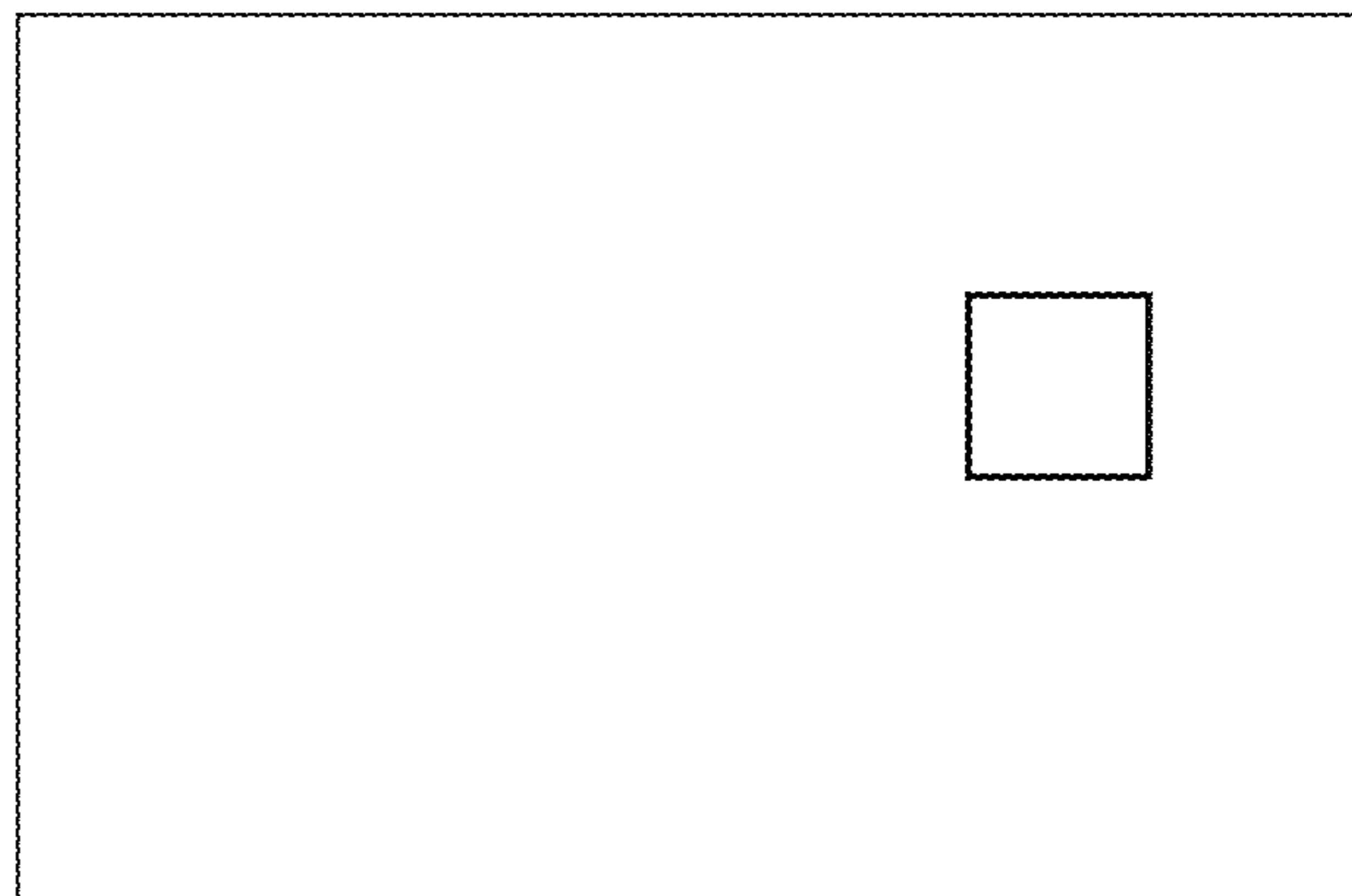
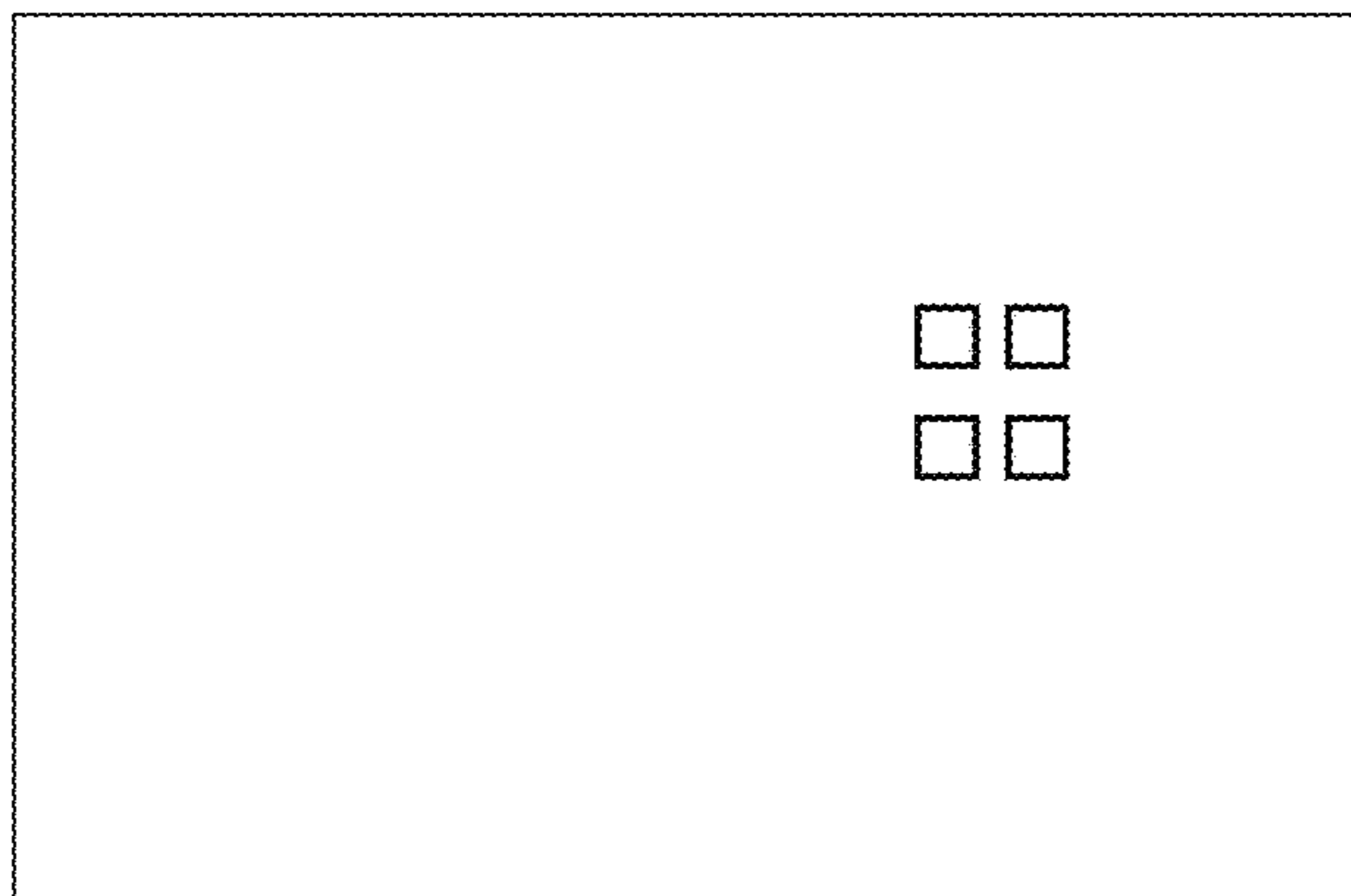
FIG. 13 is an enlarged view of the graphical user interface of FIG. 8 showing a first image of a transitional graphical user interface; and,

FIG. 14 is a second image thereof.

The appearance of the graphical user interface transitions sequentially between FIGS. 6 and 7 in embodiment 1 and FIGS. 13 and 14 in embodiment 2. The process or period in which one image transitions to another forms no part of the claimed design.

The broken lines illustrate portions of the digital camera display screen or portion thereof with a transitional graphical user interface and form no part of the claimed design. A bottom view and a right side view do not depict portions for which design patent is sought, and are omitted.

**1 Claim, 14 Drawing Sheets**



(58) **Field of Classification Search**

CPC ..... 3/04842; G06F 3/04845; G06F 3/04847;  
G06F 3/0485; G06F 3/04855; G06F  
3/0486; G06F 3/0487; G06F 3/0488;  
G06F 3/04883; G06F 3/04886

See application file for complete search history.

(56) **References Cited**

U.S. PATENT DOCUMENTS

D832,281	S	*	10/2018	Kagatsume .....	D14/485
D872,740	S	*	1/2020	Ternoey .....	D14/485
D875,131	S	*	2/2020	Lee .....	D14/488
D882,599	S	*	4/2020	Chaudhri .....	D14/486
D905,734	S	*	12/2020	Christiana .....	D14/488
D910,664	S	*	2/2021	Varghese .....	D14/485
D914,055	S	*	3/2021	Seo .....	D14/488
D915,451	S	*	4/2021	Baber .....	D14/488
D928,193	S	*	8/2021	Paul .....	D14/488
D930,702	S	*	9/2021	Grecia .....	D14/492
D946,013	S	*	3/2022	Maiman .....	D14/485
D947,217	S	*	3/2022	Broughton .....	D14/485
D949,186	S	*	4/2022	Tyler .....	D14/486
D954,084	S	*	6/2022	Broughton .....	D14/485
D954,102	S	*	6/2022	Anzures .....	D14/488
D956,092	S	*	6/2022	Cohen .....	D14/489
D961,601	S	*	8/2022	Mirsharif .....	D14/485
D964,416	S	*	9/2022	Alonso Ruiz .....	D14/486
D964,417	S	*	9/2022	Pei .....	D14/487
D965,018	S	*	9/2022	Xu .....	D14/485
D965,022	S	*	9/2022	Bong .....	D14/488

\* cited by examiner

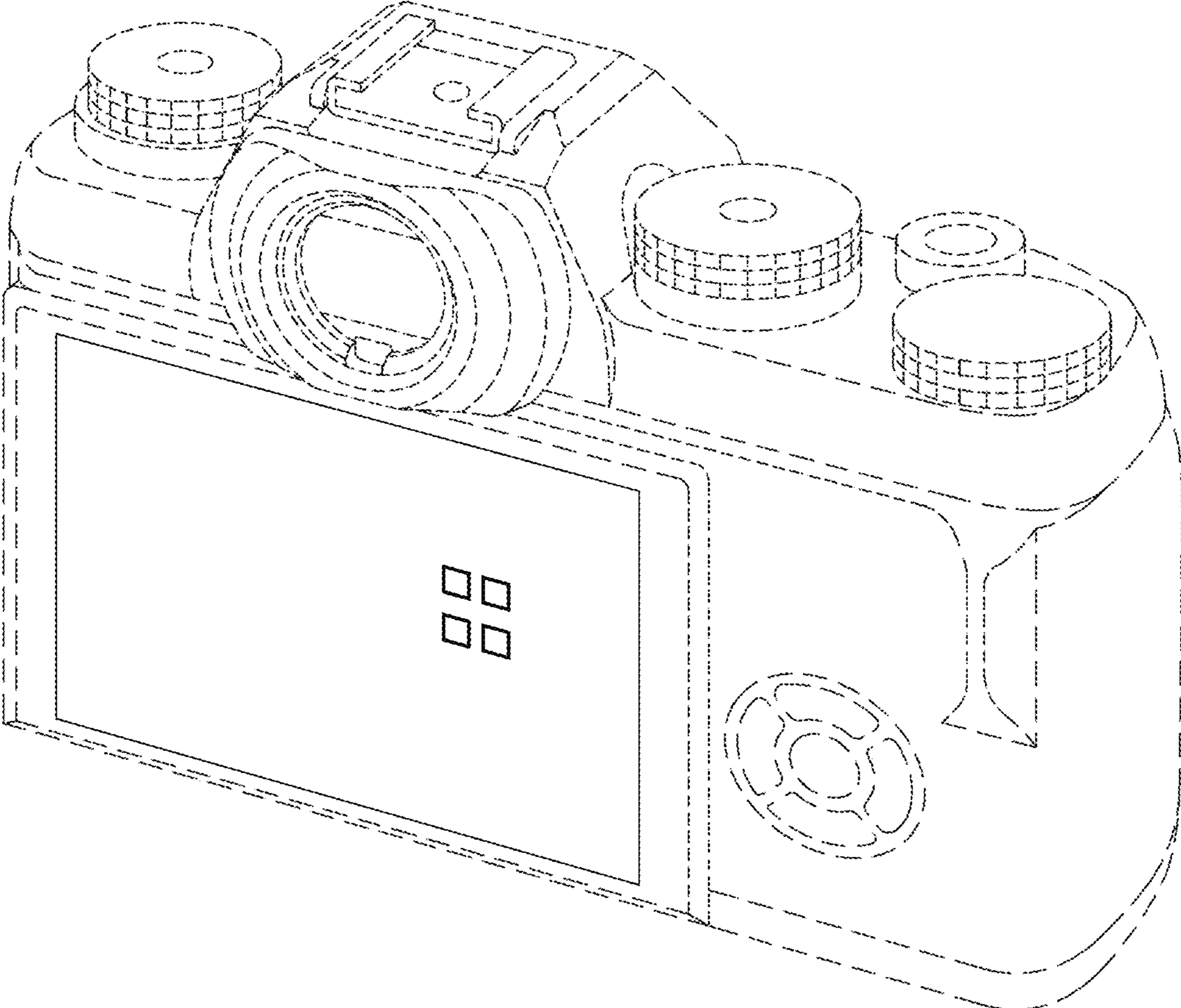


FIG. 1

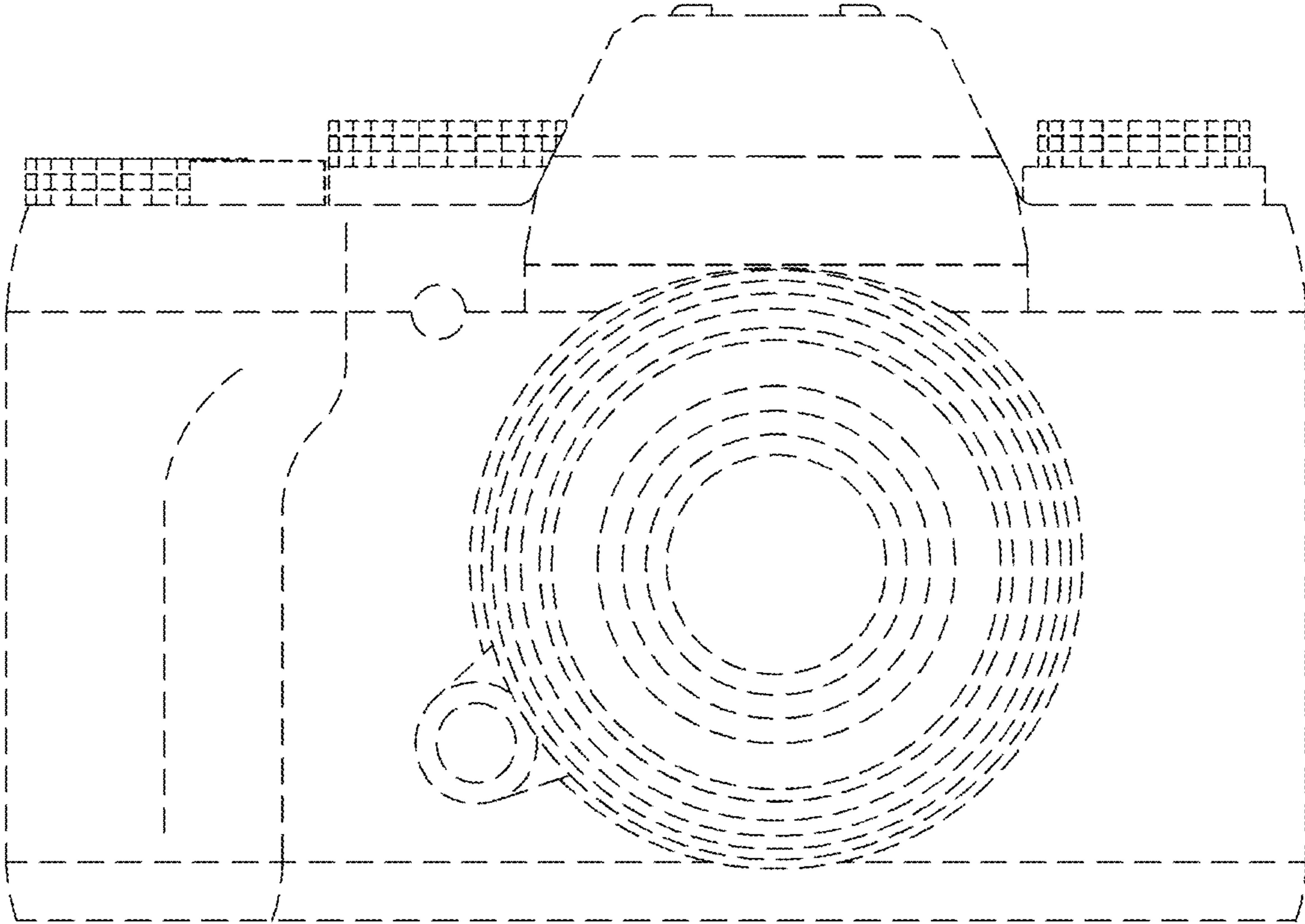


FIG. 2

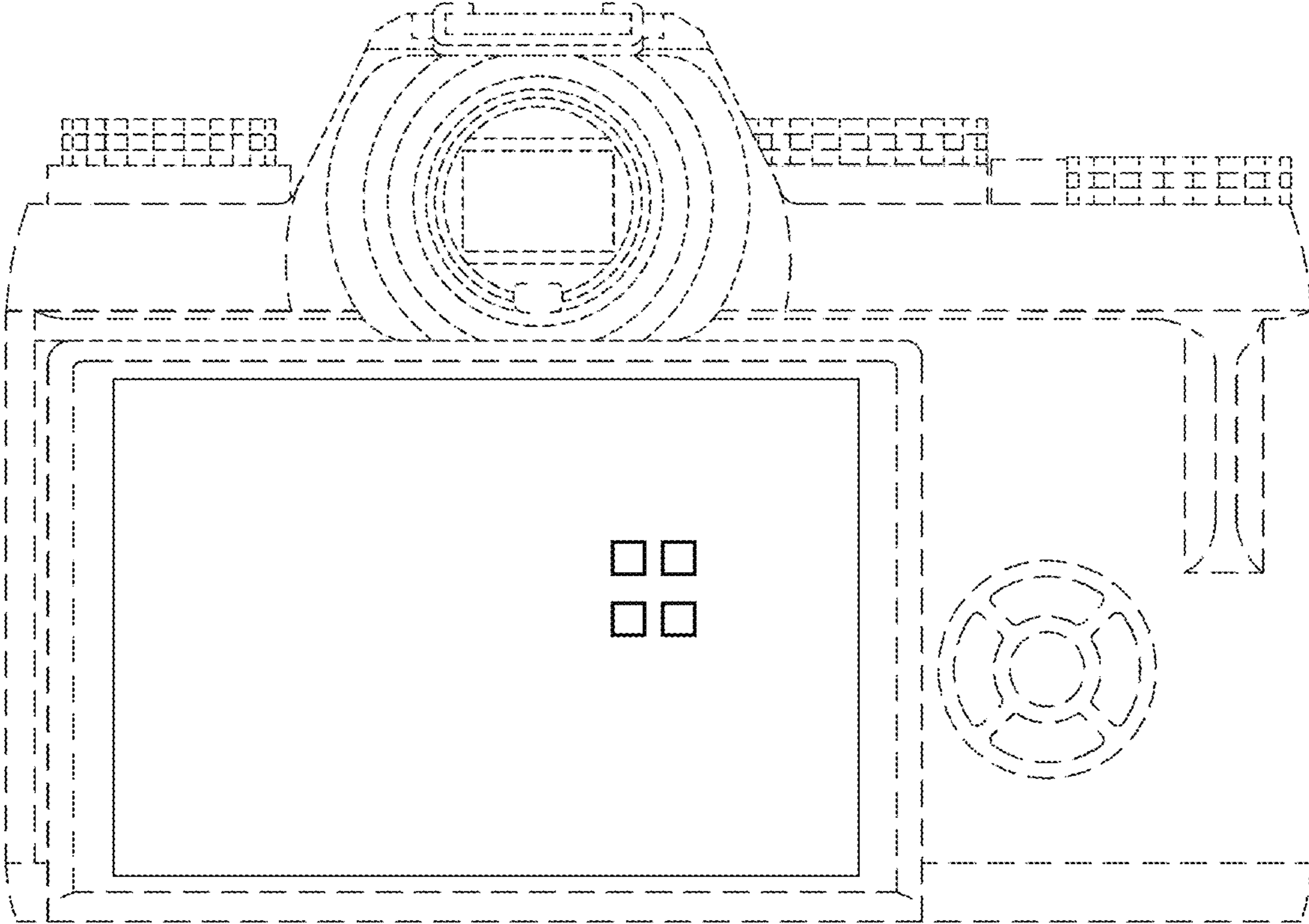


FIG. 3

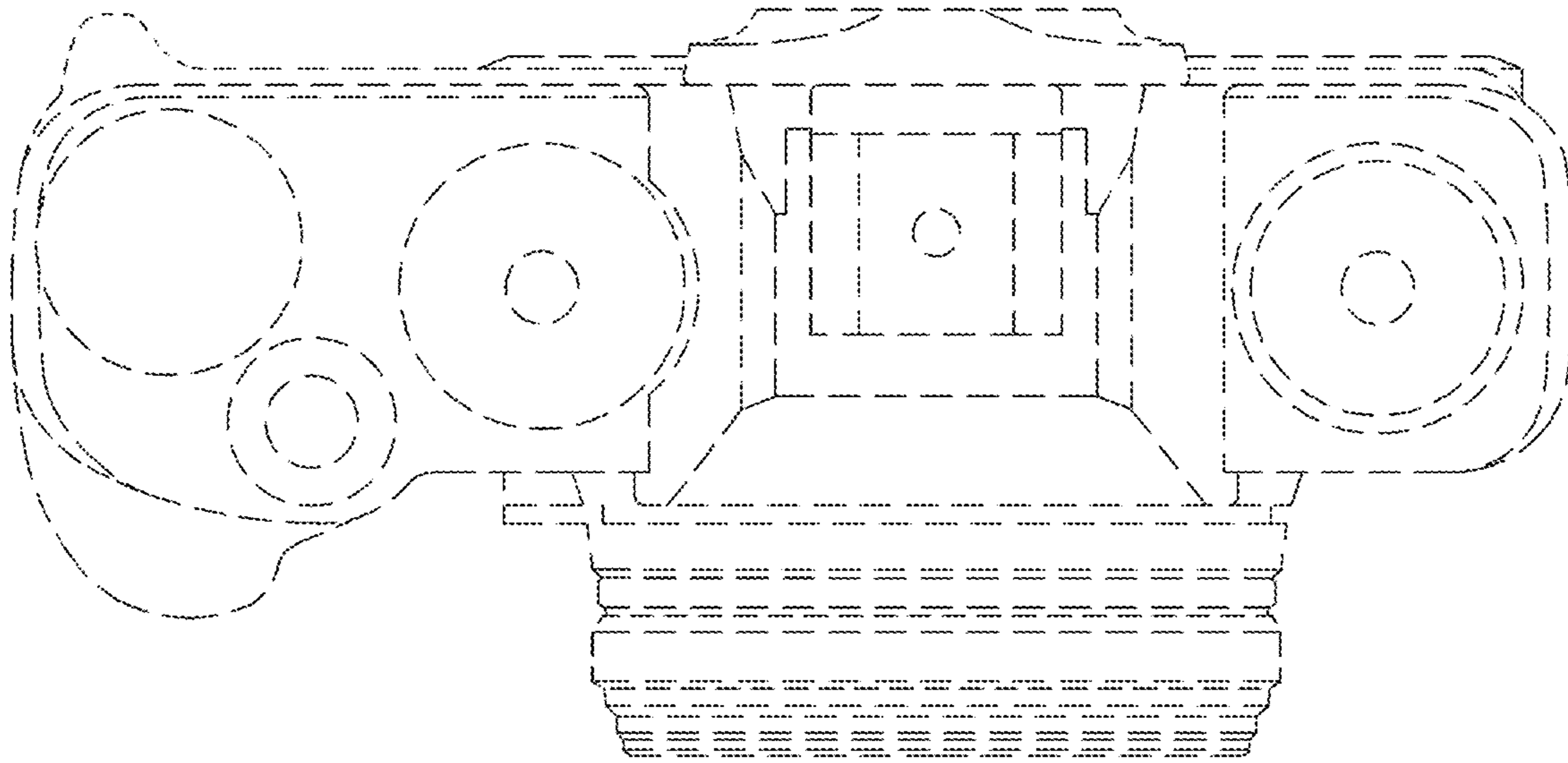


FIG. 4

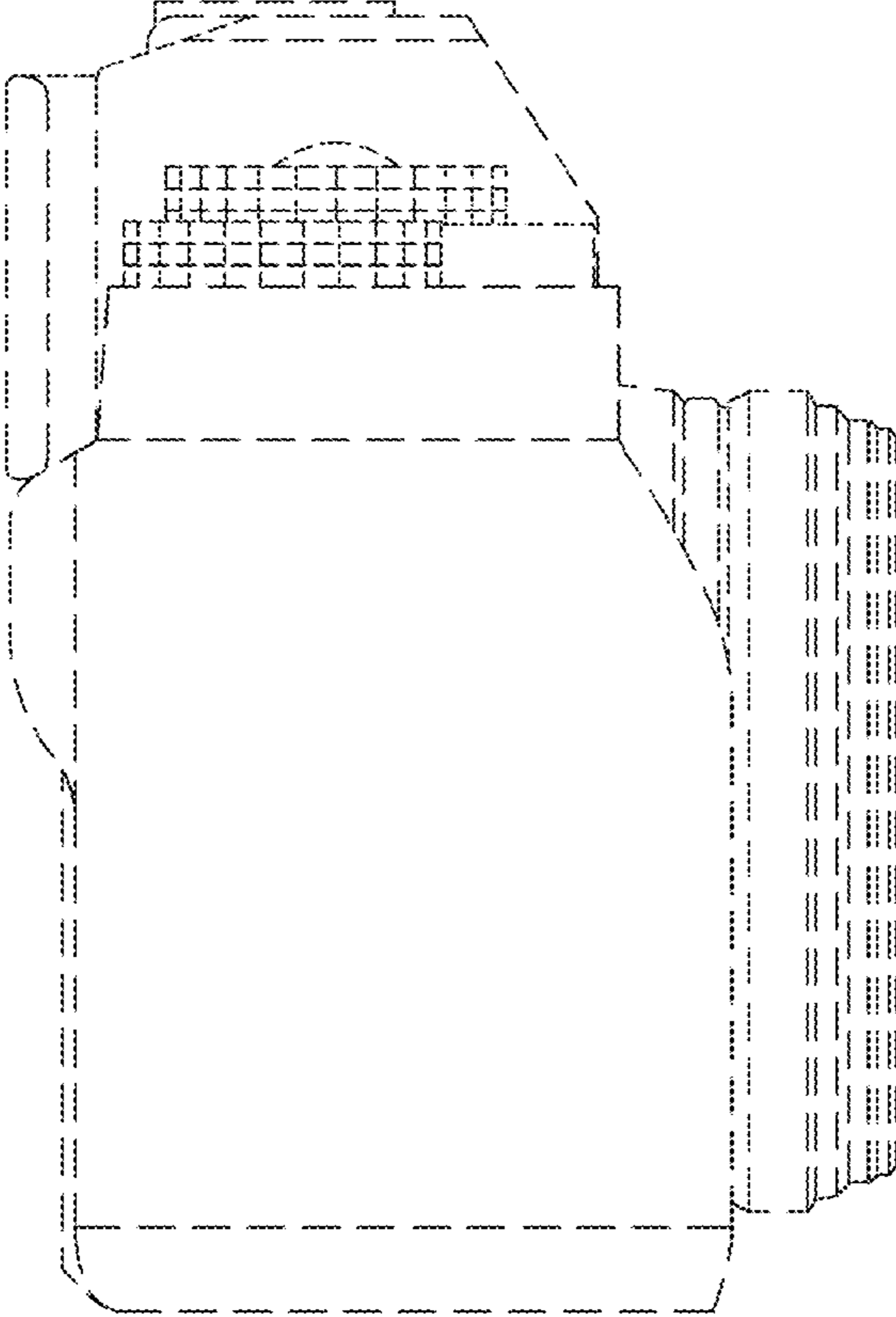


FIG. 5

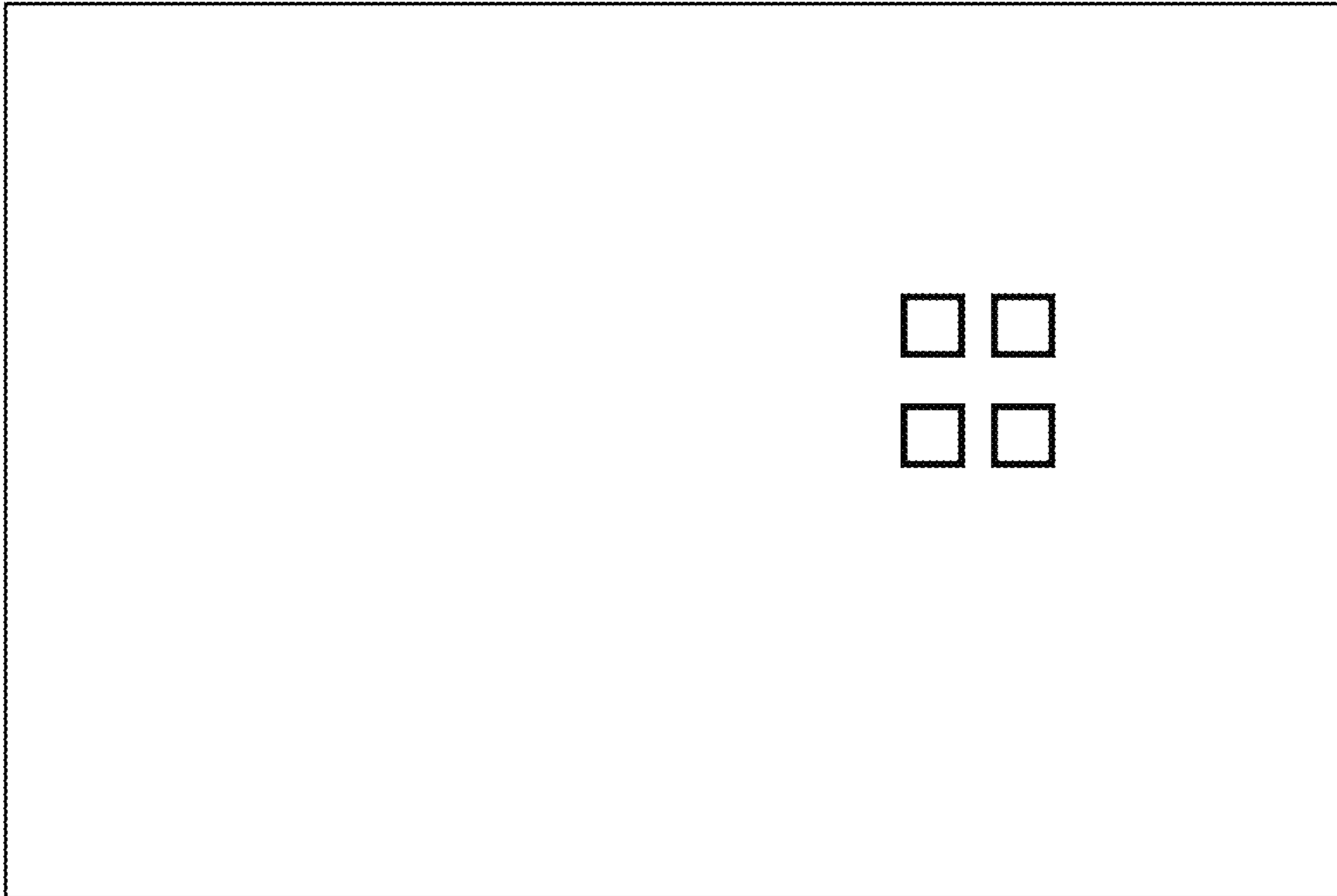


FIG. 6



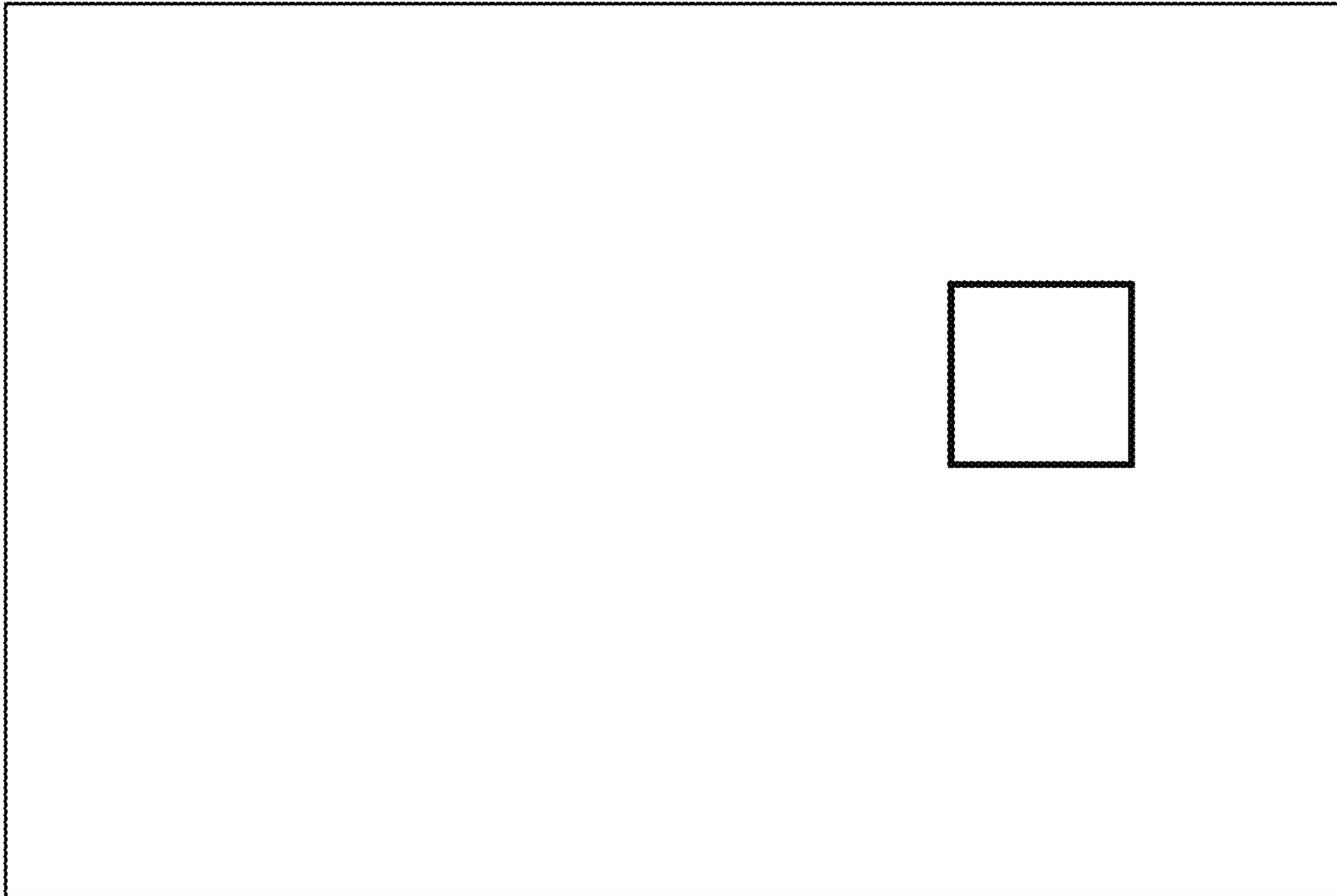


FIG. 7

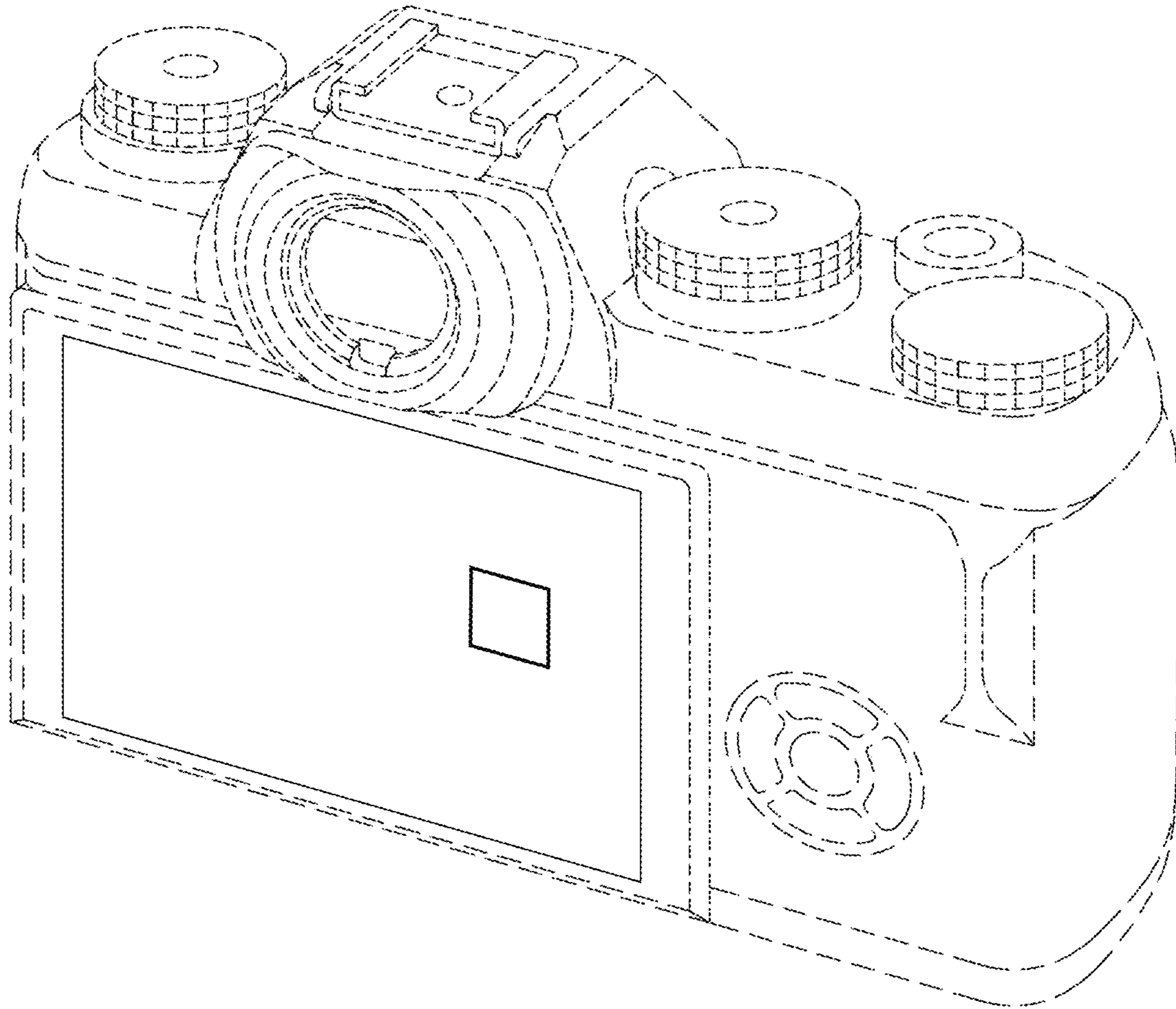


FIG. 8

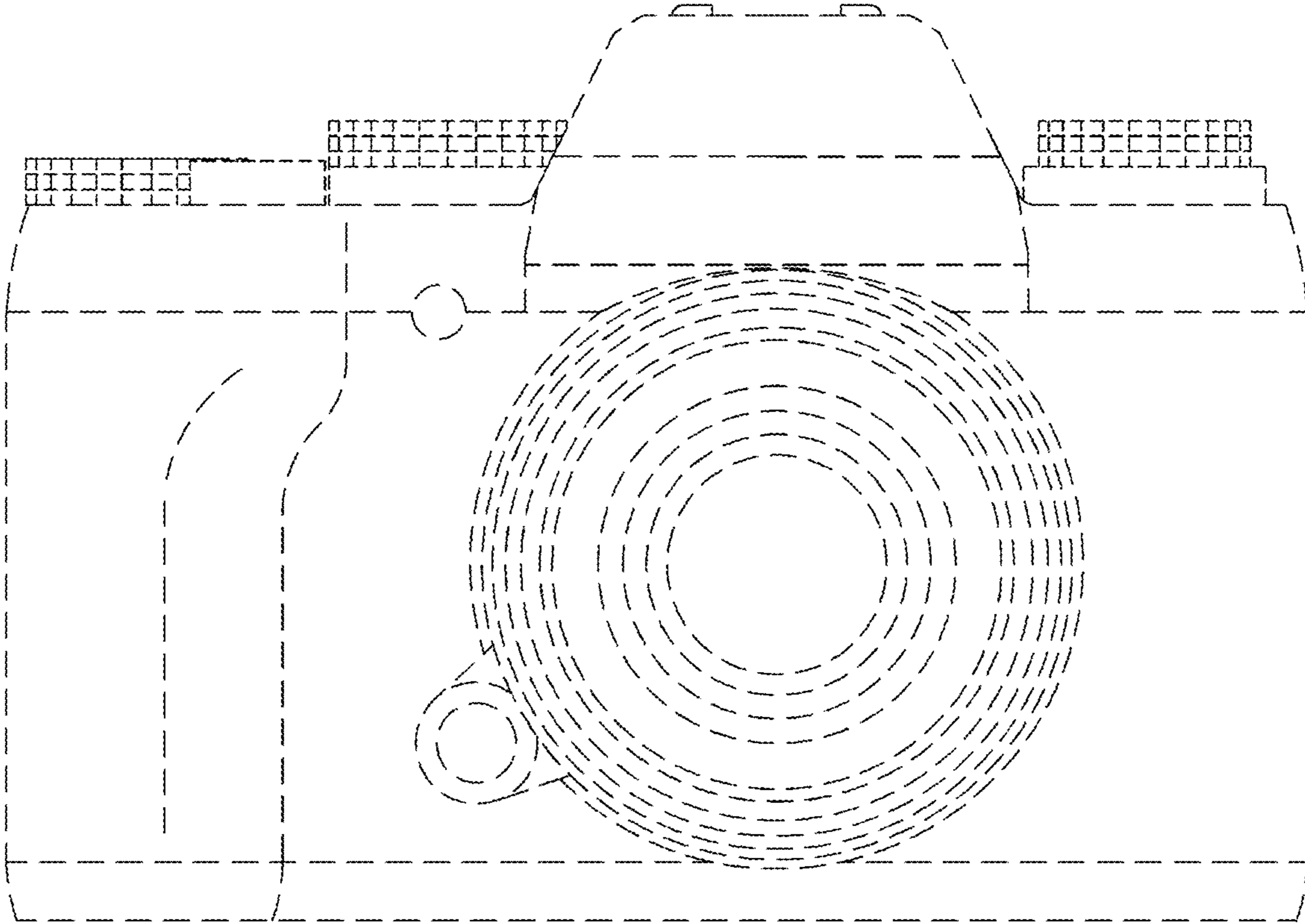


FIG. 9

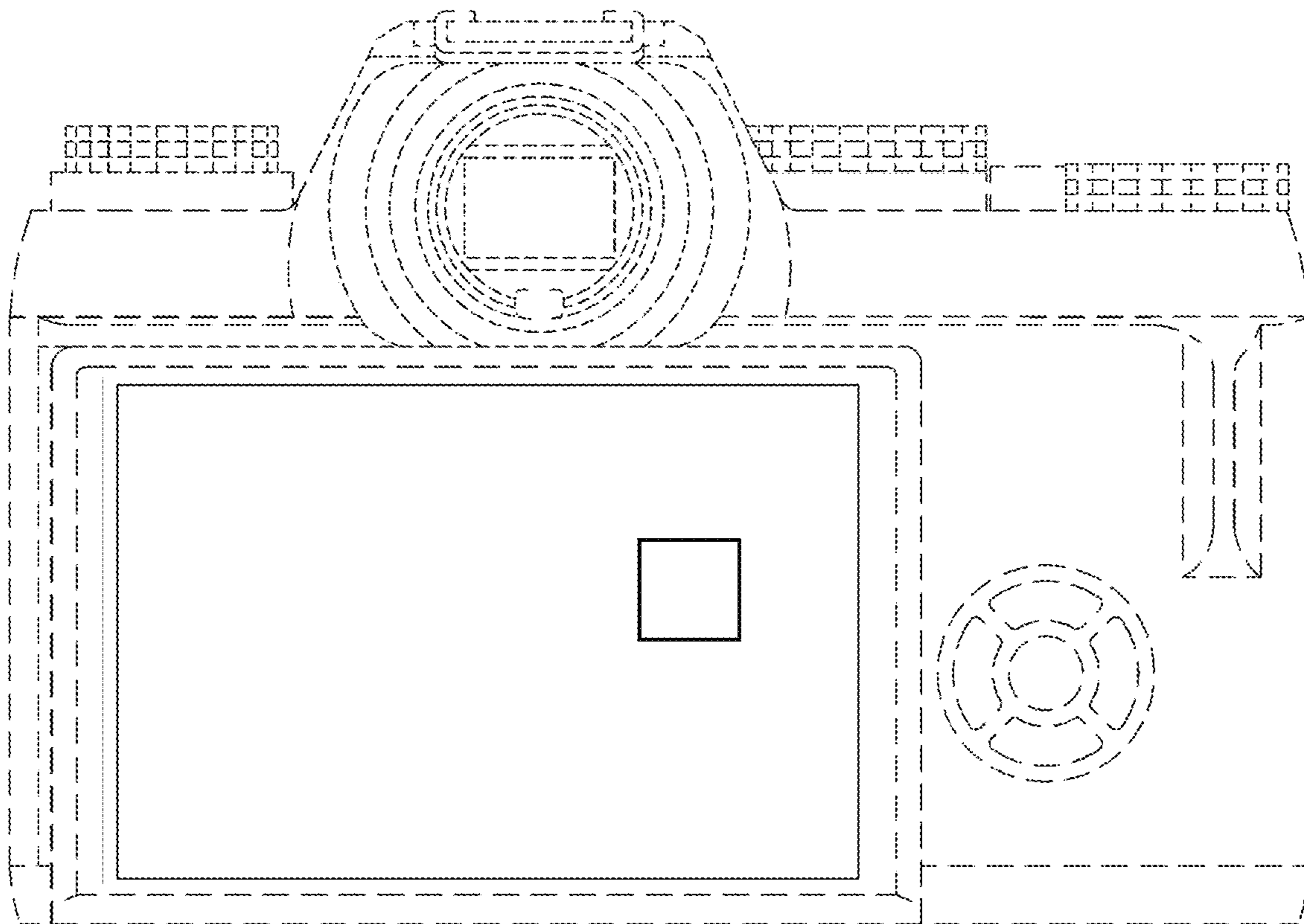


FIG. 10

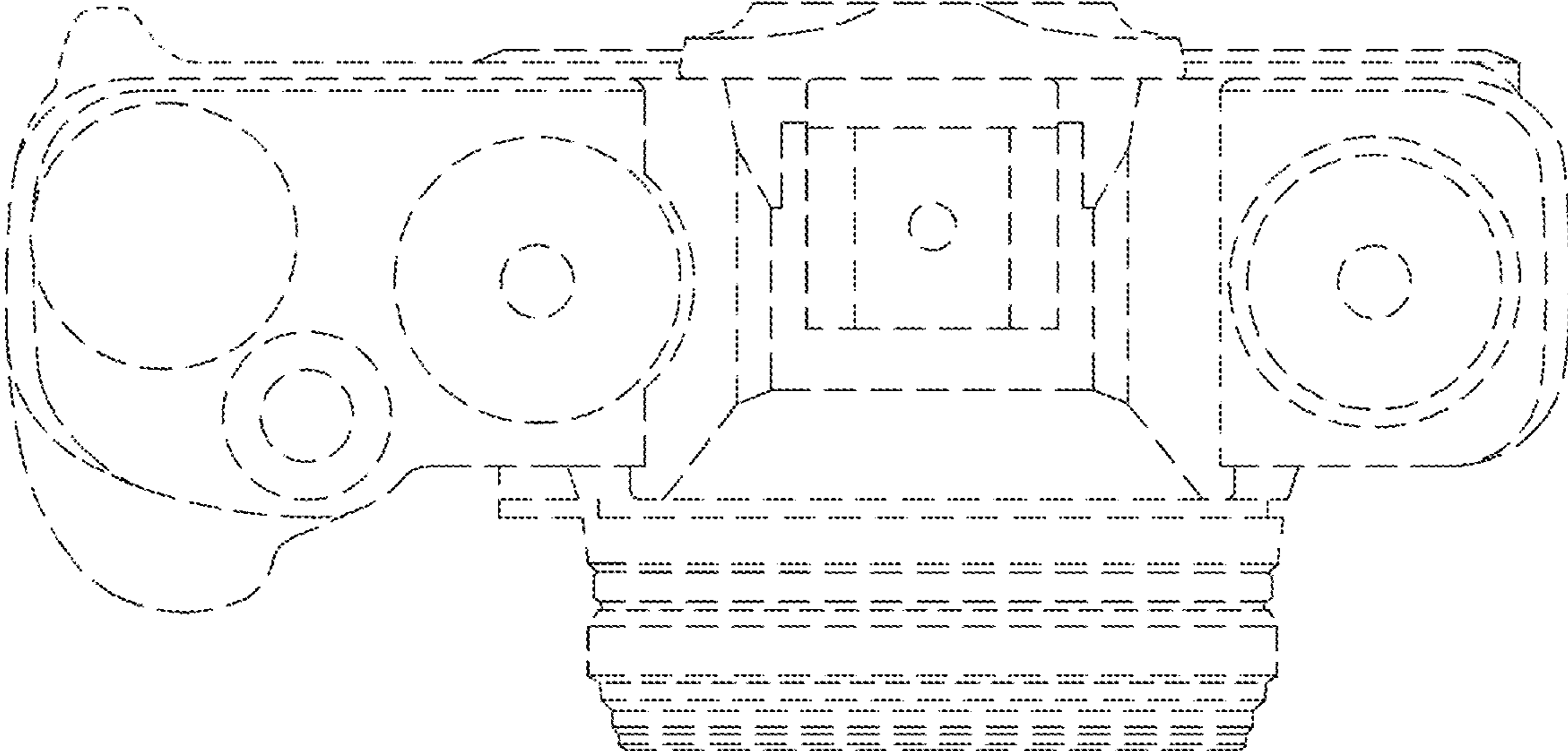


FIG. 11

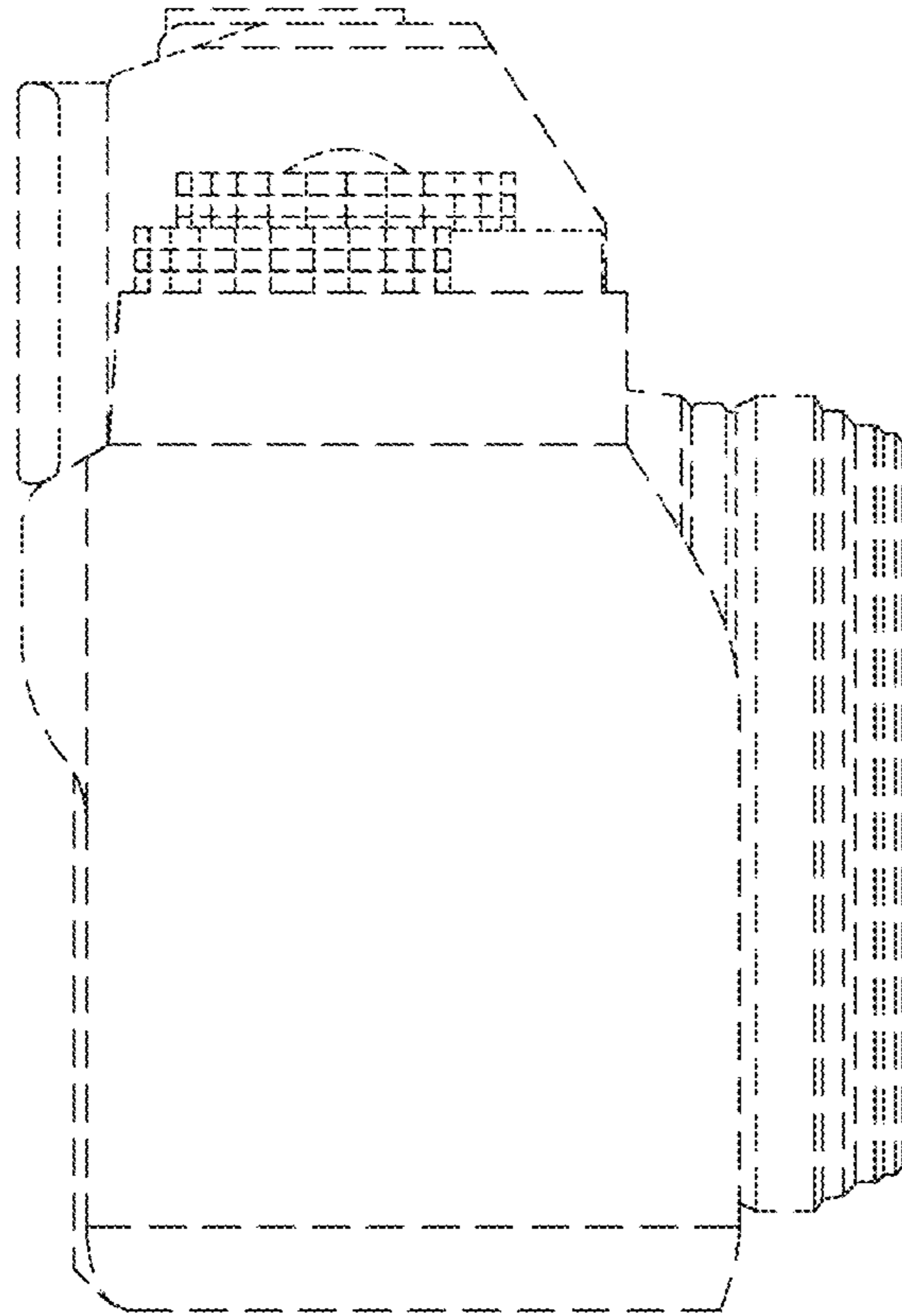


FIG. 12

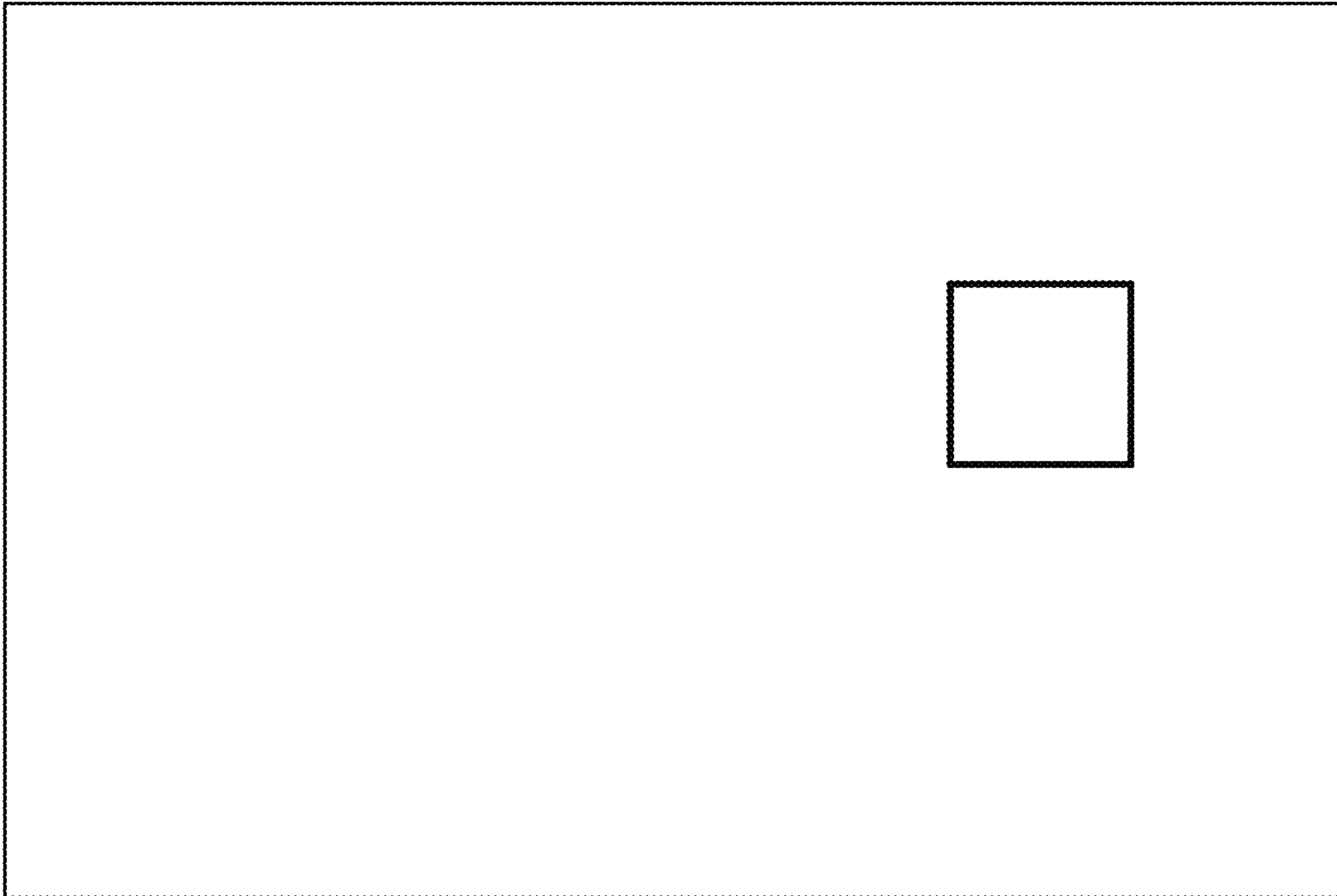


FIG. 13

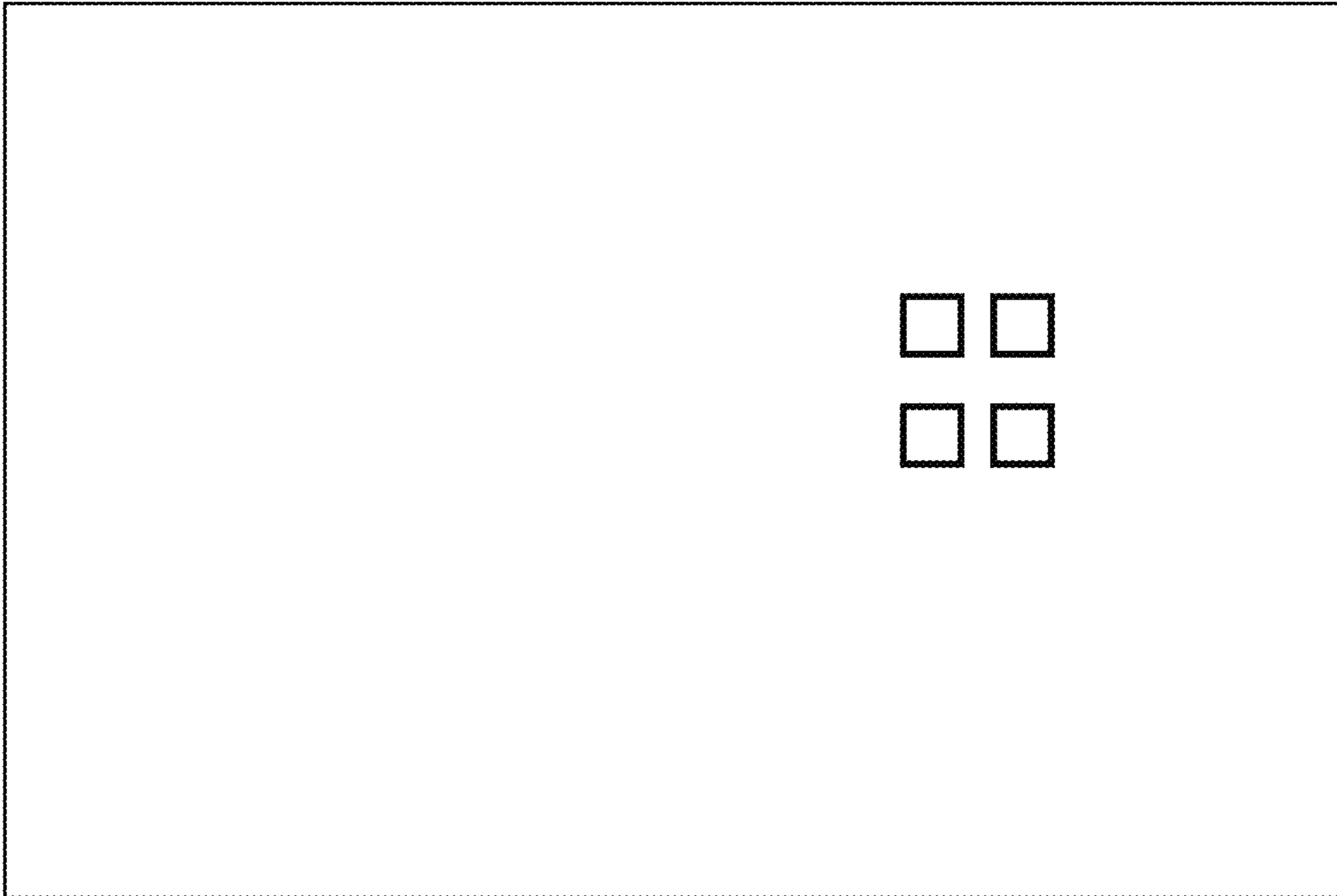


FIG. 14