



US00D989094S

(12) **United States Design Patent** (10) **Patent No.:** **US D989,094 S**
Koo (45) **Date of Patent:** **** Jun. 13, 2023**

(54) **DISPLAY SCREEN OR PORTION THEREOF WITH GRAPHICAL USER INTERFACE**

D759,707 S * 6/2016 You D14/488
D810,778 S * 2/2018 Kwak D14/489
D819,688 S * 6/2018 Foss D14/489

(71) Applicant: **SAMSUNG ELECTRONICS CO., LTD.**, Suwon-si (KR)

(Continued)

(72) Inventor: **Bonheon Koo**, Suwon-si (KR)

OTHER PUBLICATIONS

(73) Assignee: **SAMSUNG ELECTRONICS CO., LTD.**, Gyeonggi-Do (KR)

“Samsung Music App” Nov. 19, 2017, posted at eu.community.samsung.com, [site visited Jan. 13, 2023]. <https://eu.community.samsung.com/t5/other-smartphones/samsung-music-app/td-p/323895> (Year: 2017).*

(**) Term: **15 Years**

(Continued)

(21) Appl. No.: **29/782,852**

Primary Examiner — John M Otte

(22) Filed: **May 10, 2021**

(74) *Attorney, Agent, or Firm* — Cantor Colburn LLP

(30) **Foreign Application Priority Data**

(57) **CLAIM**

Dec. 21, 2020 (KR) 30-2020-0063636

The ornamental design for a display screen or portion thereof with graphical user interface, as shown and described.

(51) **LOC (14) Cl.** **14-04**

DESCRIPTION

(52) **U.S. Cl.**

USPC **D14/489**; D14/491

(58) **Field of Classification Search**

USPC D14/485–495; D20/11; D21/324, 325
CPC .. G06F 3/0481; G06F 3/04817; G06F 3/0482;
G06F 3/0483; G06F 3/04842; G06F 3/0485;
G06F 3/04855; G06F 3/0486; G06F 3/0488;
G06F 3/04886; G06F 9/451; G06F 16/44; G06F 40/103; G06F 40/106;
G06F 40/169; G06F 40/189; G06F 40/191; H04N 21/812

See application file for complete search history.

FIG. 1 is a front view of a first embodiment of a display screen or portion thereof with graphical user interface, showing my new design;

FIG. 2 is a front view of a second embodiment of a display screen or portion thereof with graphical user interface, showing my new design;

FIG. 3 is a front view of a third embodiment of a display screen or portion thereof with graphical user interface, showing my new design; and,

FIG. 4 is a front view of a fourth embodiment of a display screen or portion thereof with graphical user interface, showing my new design.

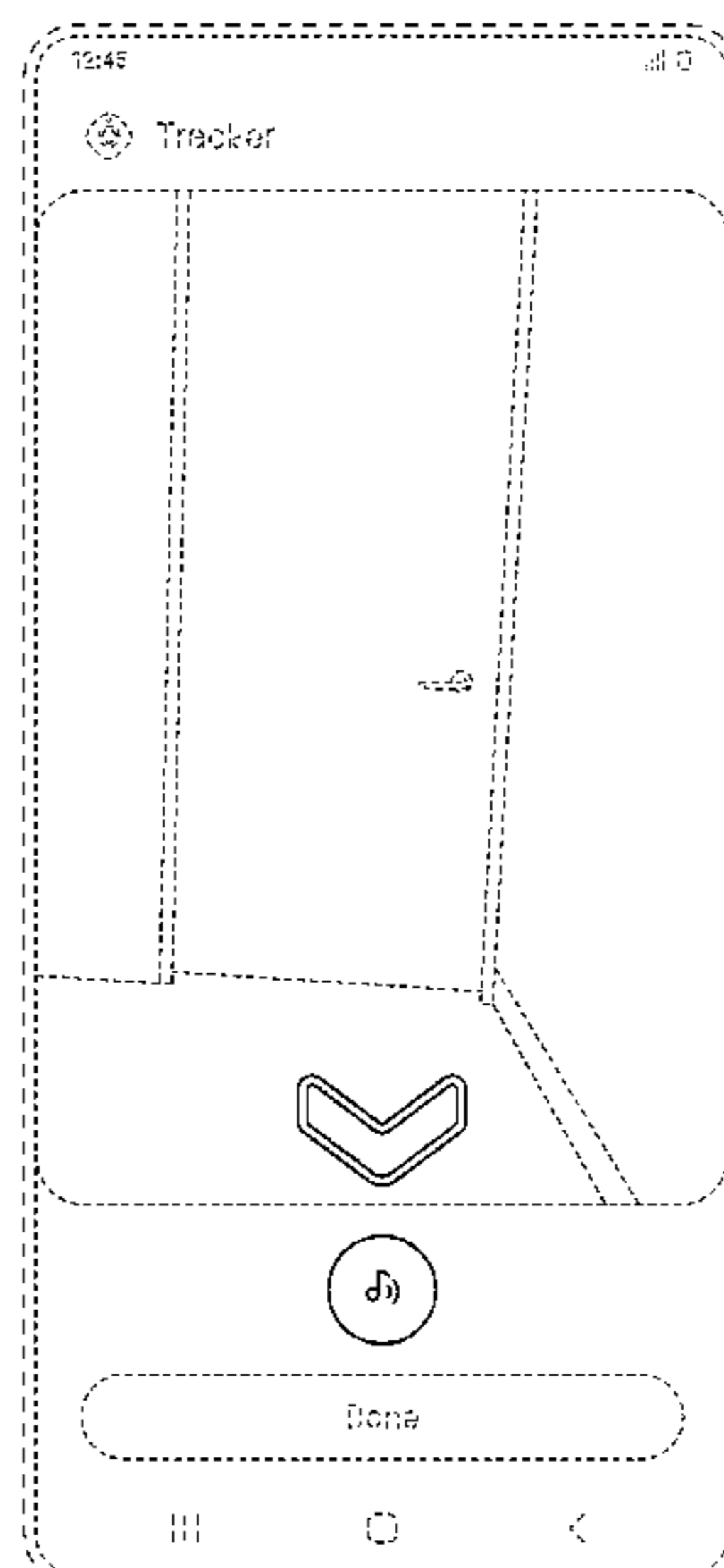
The outer perimeter broken lines in the figures depict a display screen or portion thereof and form no part of the claimed design. The remaining broken lines in the figures depict portions of the graphical user interface that form no part of the claimed design.

(56) **References Cited**

U.S. PATENT DOCUMENTS

6,678,891 B1 * 1/2004 Wilcox H04N 21/812
715/721
D643,437 S * 8/2011 Chaudhri D14/486
D647,919 S * 11/2011 Akana D14/203.3
D688,268 S * 8/2013 Myung D14/491
D705,244 S * 5/2014 Arnold D14/486

1 Claim, 4 Drawing Sheets



(56)

References Cited

U.S. PATENT DOCUMENTS

D936,688 S * 11/2021 McKently G06F 3/0482
D14/486
D971,952 S * 12/2022 Koo D14/486
D974,378 S * 1/2023 Lim D14/485
2009/0089676 A1* 4/2009 Finkelstein G06F 16/44
715/719
2012/0204108 A1* 8/2012 Audet G06F 40/169
715/716

OTHER PUBLICATIONS

Galaburda, Justas, "Music Icons" Jan. 5, 2015, posted at dribbble.com, [site visited Jan. 13, 2023]. <https://dribbble.com/shots/1868379-Music-Icons> (Year: 2015).*

* cited by examiner

FIG. 1

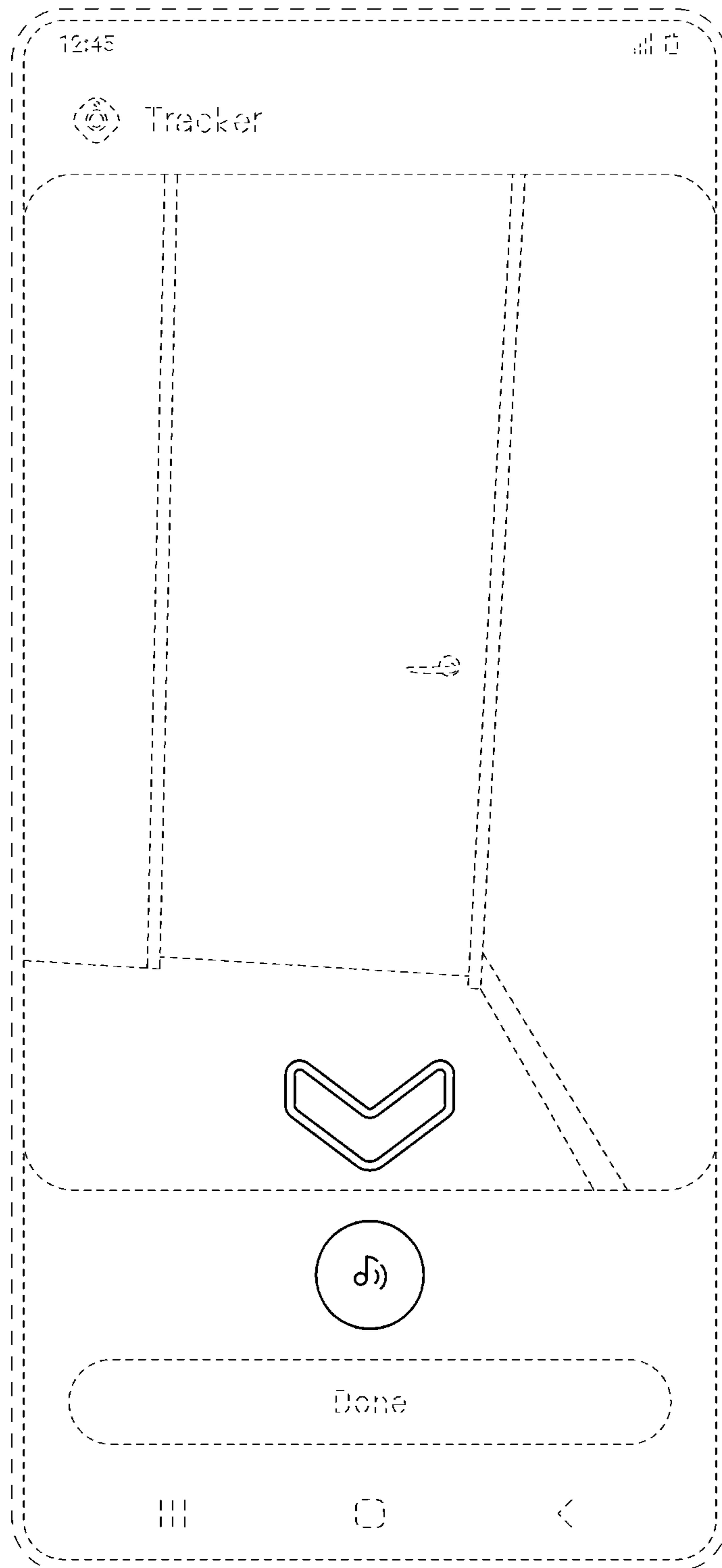


FIG. 2

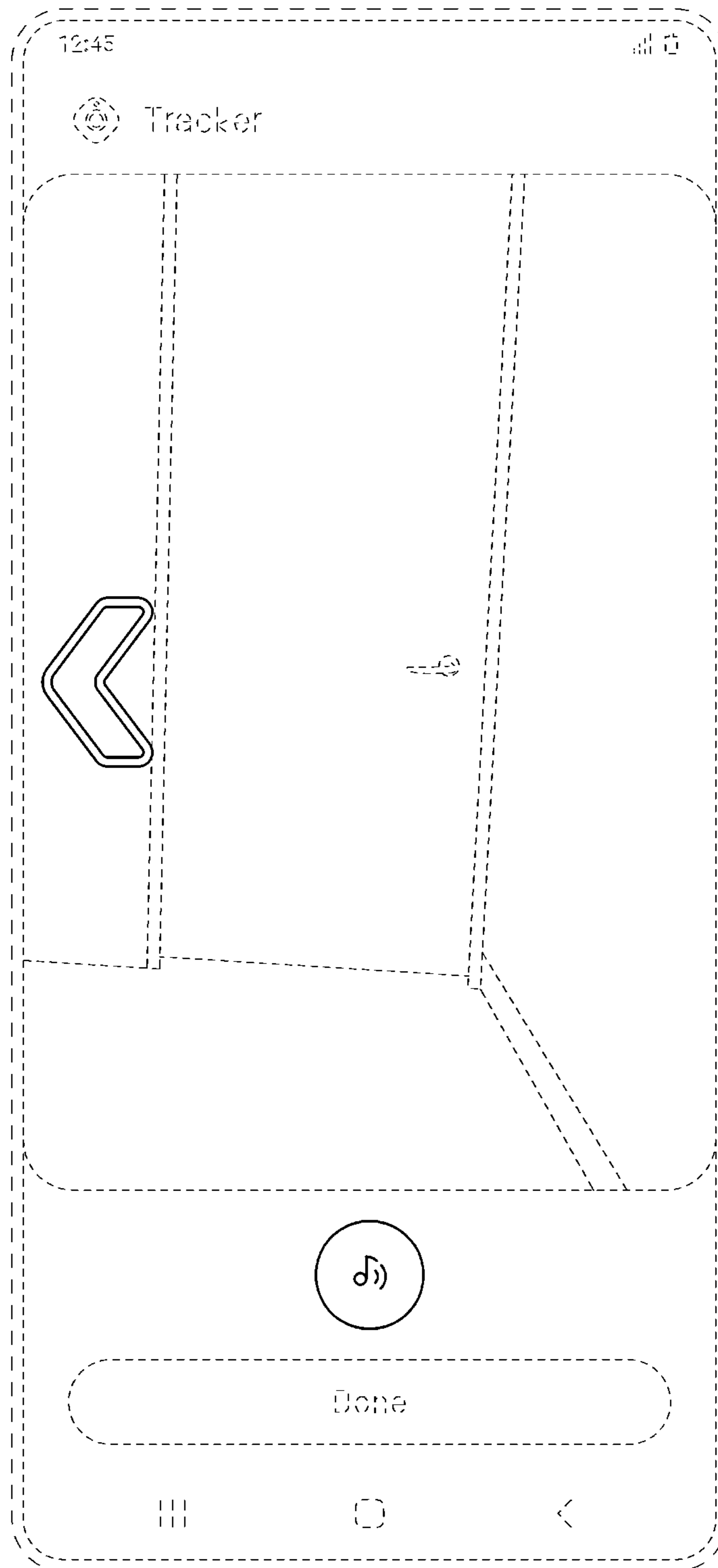


FIG. 3

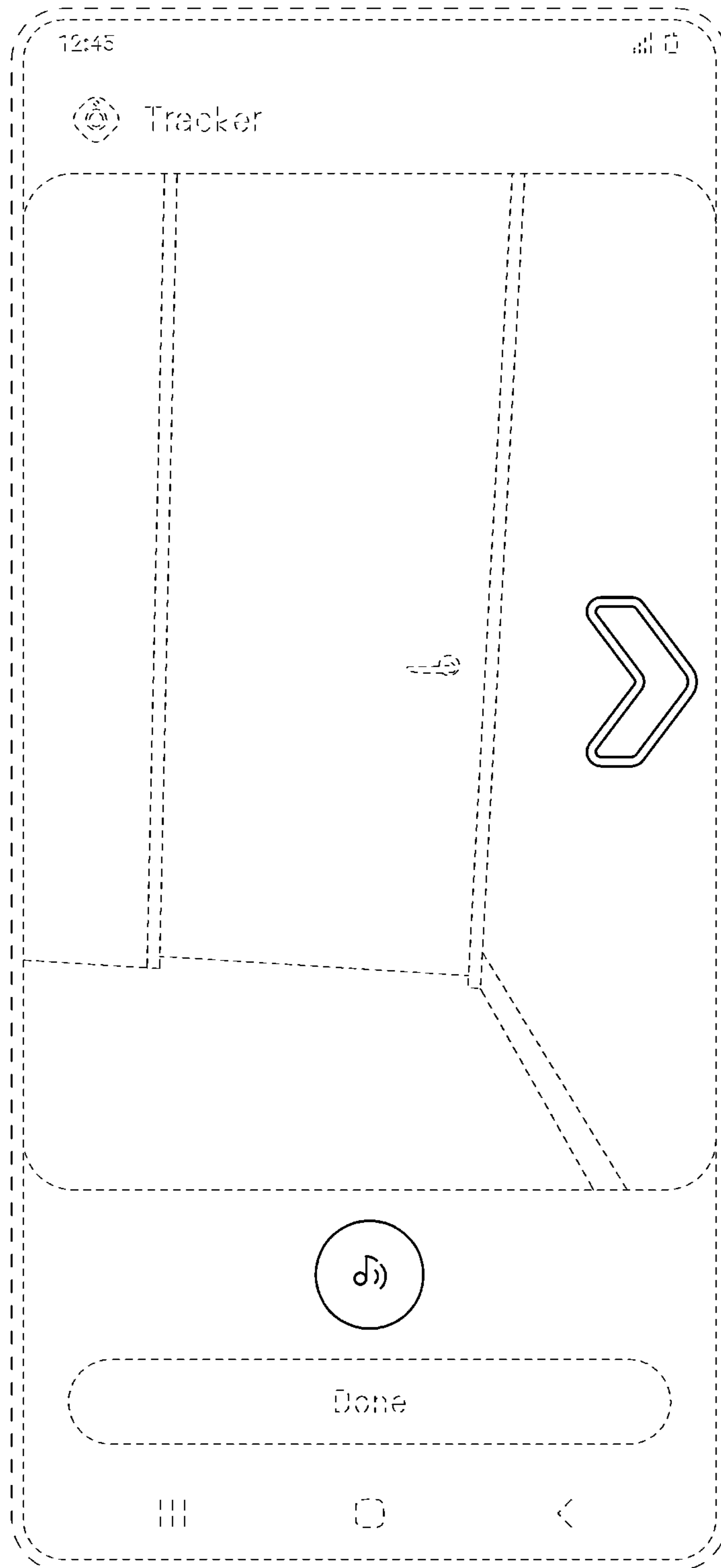


FIG. 4

