



US00D989086S

(12) **United States Design Patent**
Yoon

(10) **Patent No.:** **US D989,086 S**
(45) **Date of Patent:** **** Jun. 13, 2023**

(54) **JOYSTICK MODULE**

(71) Applicant: **LUXROBO CO., LTD.**, Seoul (KR)

(72) Inventor: **Son Yoon**, Seoul (KR)

(73) Assignee: **LUXROBO CO., LTD.**, Seoul (KR)

(**) Term: **15 Years**

(21) Appl. No.: **29/778,624**

(22) Filed: **Apr. 14, 2021**

(30) **Foreign Application Priority Data**

Mar. 9, 2021 (KR) 30-2021-0011378

(51) **LOC (14) Cl.** **14-02**

(52) **U.S. Cl.**
USPC **D14/412**

(58) **Field of Classification Search**
USPC D14/400, 412, 454, 398, 498, 499, 500,
D14/507, 511, 160, 170, 172, 257, 258,
D14/388, 392, 399, 203.1; D21/333, 325,
D21/566; D12/174, 345, 179, 197, 192;
D8/334, 331, 337, 310
CPC A63F 13/20; A63F 13/21; A63F 13/11;
A63F 13/24; A63F 2003/00359; A63F
2003/00362; A63F 2003/00391; G06F
3/0362; G06F 3/03547; G06F 3/033;
G06F 3/0338; G06F 1/169; G05G 9/047
See application file for complete search history.

(56) **References Cited**

U.S. PATENT DOCUMENTS

D299,141 S * 12/1988 Louis D14/388
D316,249 S * 4/1991 King-Pei D13/167
D438,847 S * 3/2001 Hasegawa D14/412
6,219,036 B1 * 4/2001 Urita G06F 1/169
345/157
D471,557 S * 3/2003 Toshiharu D14/412
D474,247 S * 5/2003 Miyoshi D21/333

6,795,318 B2 * 9/2004 Haas G06F 1/1626
361/728
D573,871 S * 7/2008 Nave D8/334
D629,280 S * 12/2010 Plato D8/334
8,018,726 B2 * 9/2011 Friedlander H01R 13/24
361/732
D760,228 S * 6/2016 Asano D14/412
D789,932 S * 6/2017 Chu D14/388
D791,134 S * 7/2017 Chu D14/388
D826,935 S * 8/2018 Son D14/388
D826,938 S * 8/2018 Son D14/388

(Continued)

FOREIGN PATENT DOCUMENTS

GB 9004548808-0003 * 12/2017

OTHER PUBLICATIONS

Makeblock Neuron: An Electronic Building Block Platform, posted Mar. 7, 2017 [online], [retrieved Sep. 14, 2022]. Retrieved from internet, <https://www.kickstarter.com/projects/makeblock/makeblock-neuron-an-electronic-building-blocks-pla/description> (Year: 2017).*

Primary Examiner — Marie D. Fast Horse
Assistant Examiner — Josiah D. Parsons
(74) *Attorney, Agent, or Firm* — Birch, Stewart, Kolasch & Birch, LLP

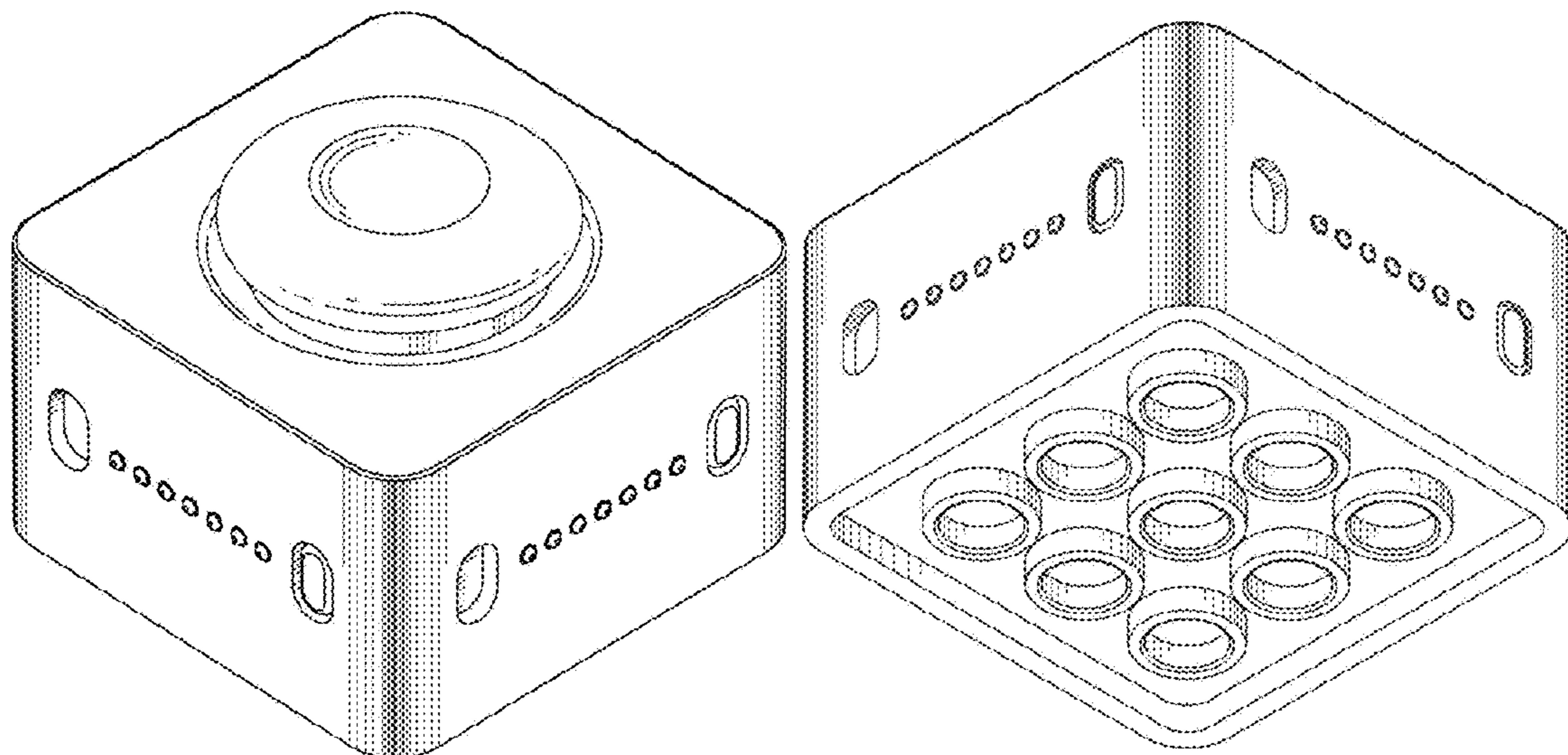
(57) **CLAIM**

The ornamental design for a joystick module, as shown and described.

DESCRIPTION

FIG. 1 is a top perspective view of the joystick module showing my new design;
FIG. 2 is a front view thereof, the rear, left side and right side being identical thereto;
FIG. 3 is a top plan view thereof;
FIG. 4 is a bottom plan view thereof; and,
FIG. 5 is a bottom perspective view thereof.

1 Claim, 5 Drawing Sheets



(56)

References Cited

U.S. PATENT DOCUMENTS

D880,478	S *	4/2020	Wang	D14/412
D890,185	S *	7/2020	Jetter	D21/333
D958,788	S *	7/2022	Chu	D14/388
D958,789	S *	7/2022	Chu	D14/388
D963,609	S *	9/2022	Jing	D14/218
11,449,154	B1 *	9/2022	Chu	G06F 3/0346
D966,266	S *	10/2022	Chu	D14/388
2002/0064018	A1 *	5/2002	Suzuki	H03K 17/975
					361/288
2006/0154711	A1 *	7/2006	Ellis	A63F 13/12
					463/30
2008/0018600	A1 *	1/2008	Hou	G06F 3/0338
					345/161
2015/0202530	A1 *	7/2015	Zheng	H04M 1/04
					463/31
2017/0208700	A1 *	7/2017	Elmieh	H05K 5/0021
2019/0220259	A1 *	7/2019	Asor	A63H 33/042
2020/0387187	A1 *	12/2020	Liang	G06F 1/169

* cited by examiner

FIG. 1

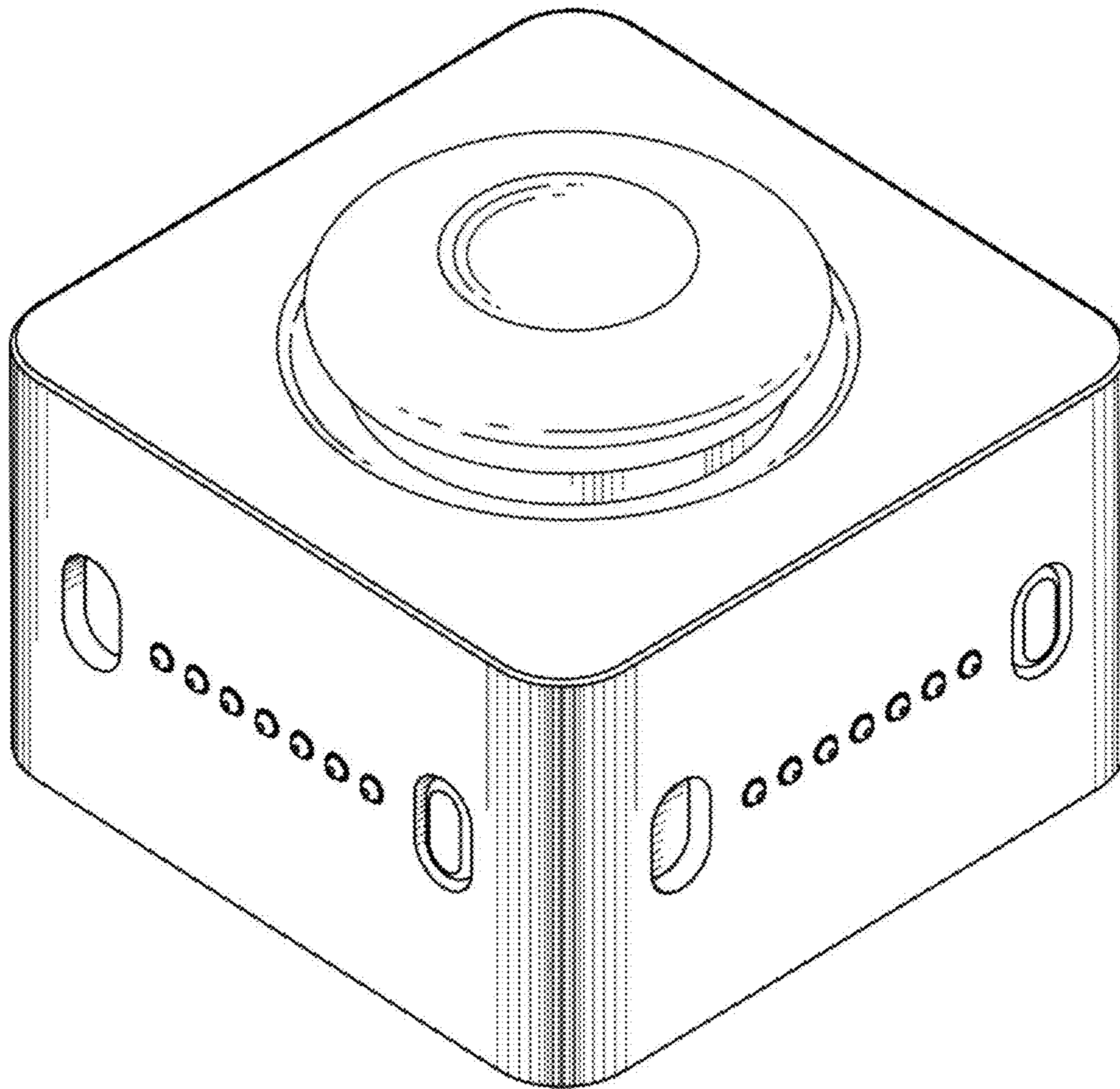


FIG. 2

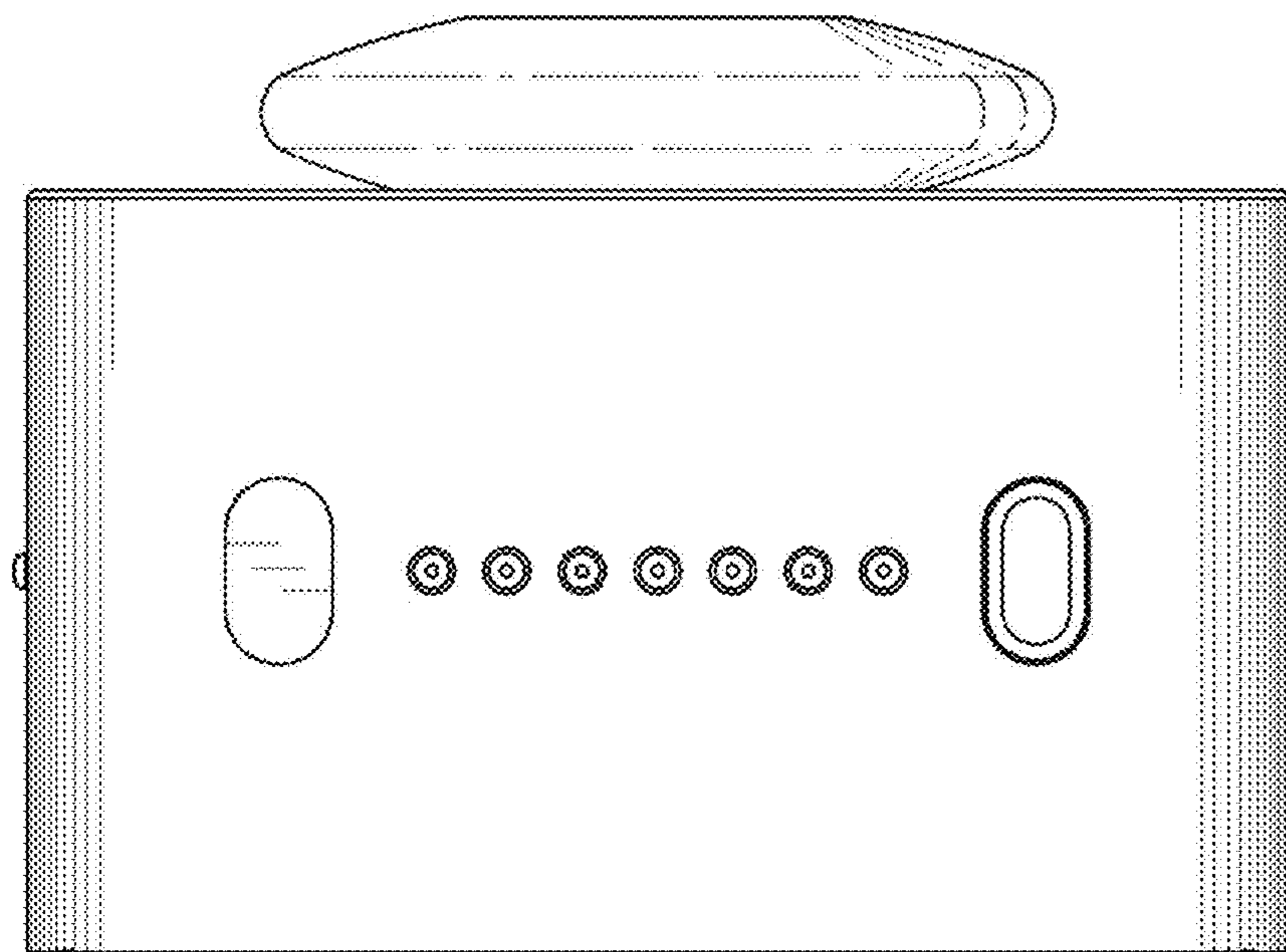


FIG. 3

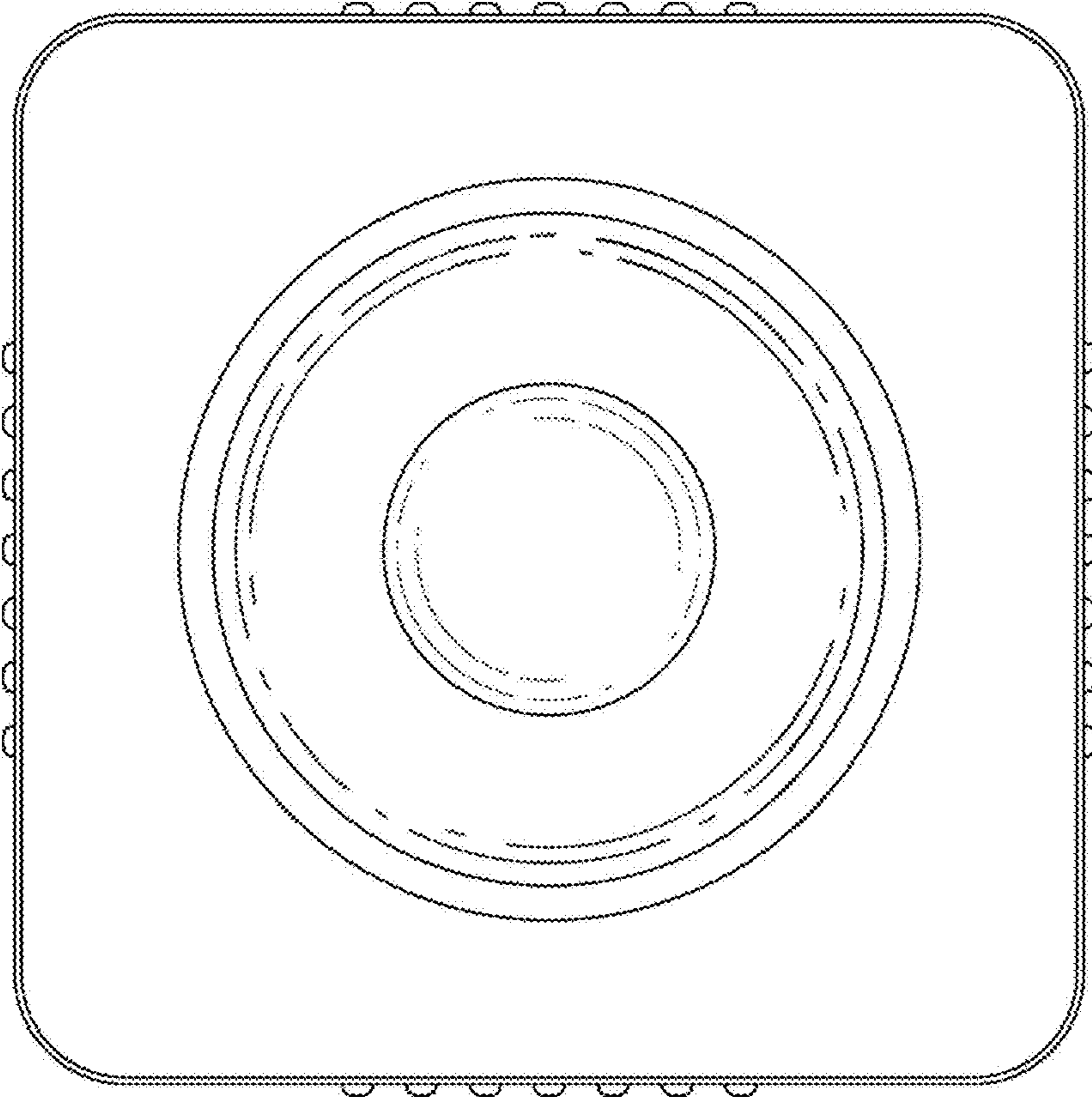


FIG. 4

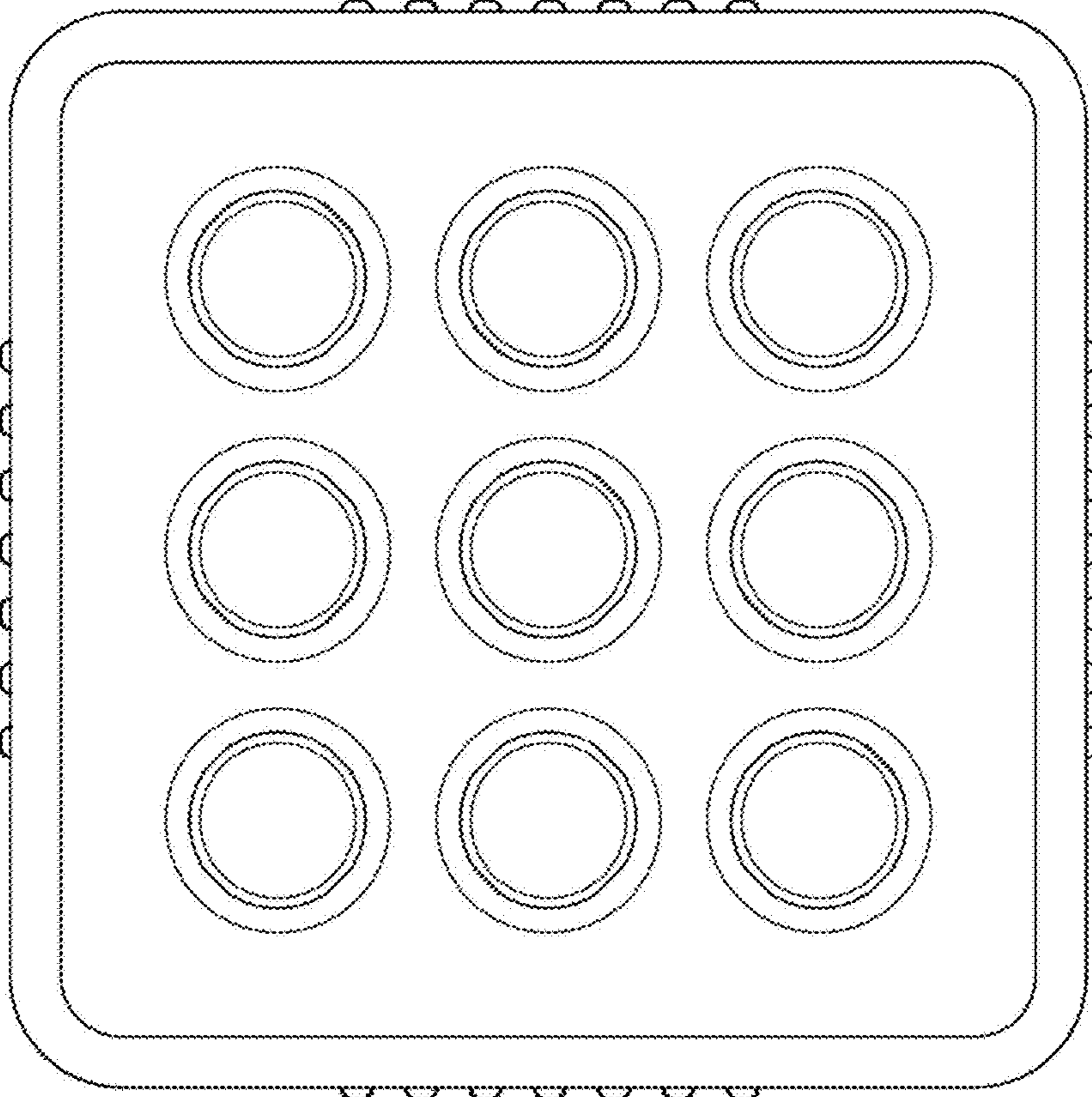


FIG. 5

