



US00D989085S

(12) **United States Design Patent**
Xu

(10) **Patent No.:** **US D989,085 S**
(45) **Date of Patent:** **** Jun. 13, 2023**

(54) **COMPUTER LCD MONITOR STAND**

(71) Applicant: **Zhiwei Xu**, Jiaxing (CN)

(72) Inventor: **Zhiwei Xu**, Jiaxing (CN)

(**) Term: **15 Years**

(21) Appl. No.: **29/767,236**

(22) Filed: **Jan. 21, 2021**

(51) **LOC (14) Cl.** **14-02**

(52) **U.S. Cl.**
USPC **D14/452**

(58) **Field of Classification Search**
USPC D14/371–382, 125–129, 335–337,
D14/447–452, 492, 376–382, 239, 457,
D14/439–441, 432, 251–253; D8/349,
D8/354, 363, 373, 376, 380; 348/180,
348/184, 325, 739, 825; D12/407, 415;
D3/218; 341/12; D13/108, 155
CPC G06F 3/0412; G06F 3/016; G06F 3/0488;
G06F 3/011; G06F 3/038; G06F 3/03543;
G06F 3/0338; G06F 3/0202; G06F
3/0219; G06F 3/0213; G06F 1/1616;
G06F 3/023; G06F 3/04883; G02F
1/13338; G02F 1/1313; G02F 1/1333;
G02F 1/135; G02F 1/132; G02F
1/133308; G02F 1/134309; G02F
1/13718; G09G 3/3648; G06K 15/1252;
B41J 2/465; G03F 7/70291; G02B
27/0172; G02B 5/30; G02B 2027/0118;
G02B 27/0101; F16M 13/02; F16M
13/00; F16M 11/10; F16M 11/04; F16M
2200/08; F16M 11/2021; A47B 21/0314;
A47B 88/044; A47B 2021/0335; H02G
3/126; F16B 47/00; F16B 47/006; A47G
1/17; A47K 2201/00

See application file for complete search history.

(56) **References Cited**

U.S. PATENT DOCUMENTS

D246,534 S * 11/1977 Buckley D24/177
D311,829 S * 11/1990 Vossoughi D6/513
6,935,883 B2 * 8/2005 Oddsen, Jr. H01R 13/625
439/534
7,243,892 B2 * 7/2007 Pfister F16M 11/2014
248/371
D557,125 S * 12/2007 Worrall D14/452
7,694,927 B2 * 4/2010 Chuang F16M 11/041
248/282.1
8,469,323 B1 * 6/2013 Deros F16M 11/105
248/124.2
9,316,346 B2 * 4/2016 Lau F16M 13/022
10,309,578 B2 * 6/2019 Yen F16M 11/041
10,323,791 B1 * 6/2019 Liu F16B 2/065
D922,394 S * 6/2021 Lu D14/452
2012/0267497 A1 * 10/2012 Bowman F16M 13/022
248/280.11
2014/0367137 A1 * 12/2014 Leung H02G 1/00
174/68.3

* cited by examiner

Primary Examiner — Katie Jane Stofko

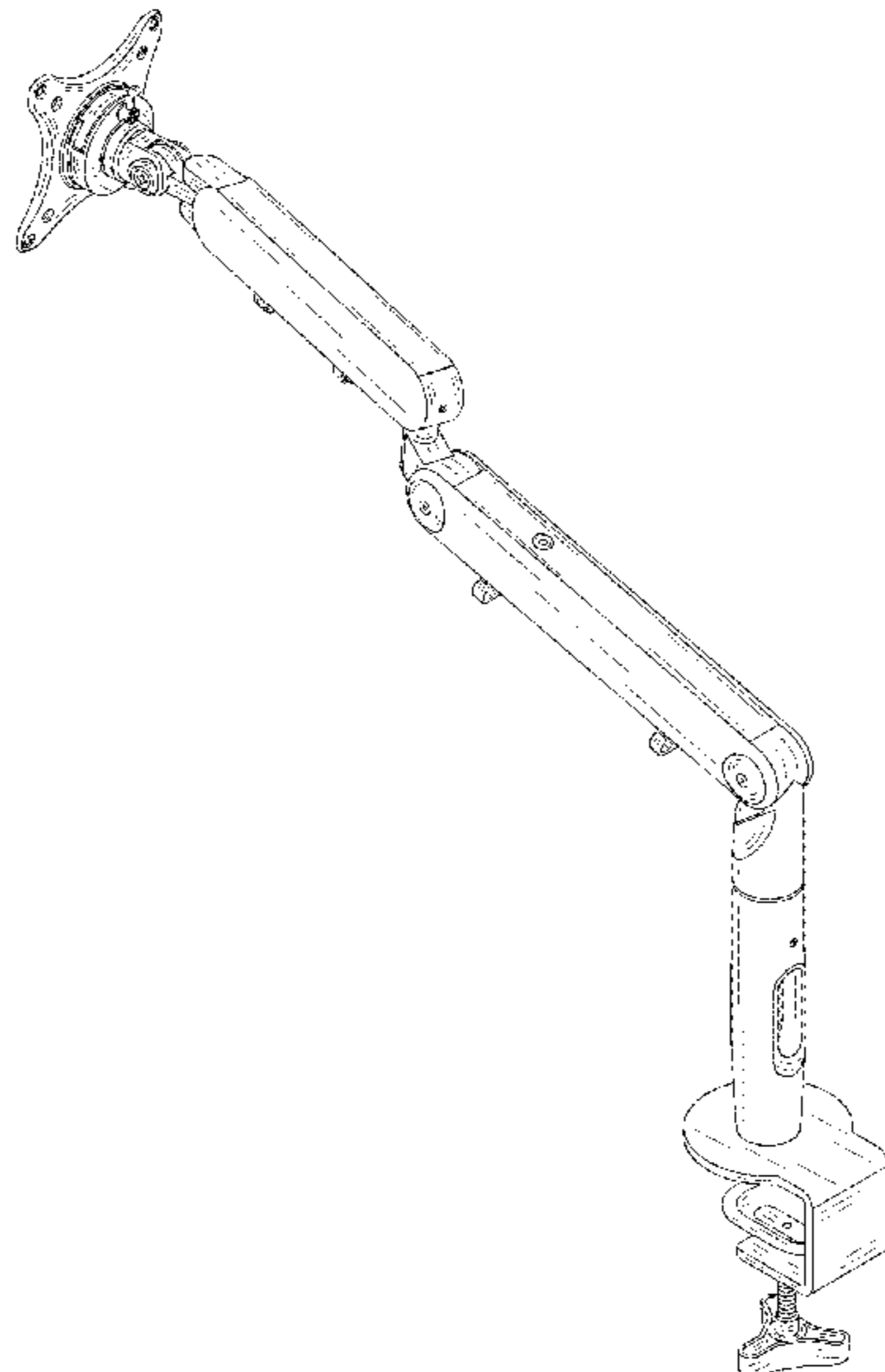
(57) **CLAIM**

The ornamental design for a computer LCD monitor stand,
as shown and described.

DESCRIPTION

FIG. 1 is a front view of a computer LCD monitor stand
showing my new design;
FIG. 2 is a back view thereof;
FIG. 3 is a left side view thereof;
FIG. 4 is a right side view thereof;
FIG. 5 is a top view thereof;
FIG. 6 is a bottom view thereof;
FIG. 7 is a perspective view thereof;
FIG. 8 is another perspective view thereof; and,
FIG. 9 is another perspective view thereof, shown with the
stand in extended condition.

1 Claim, 9 Drawing Sheets



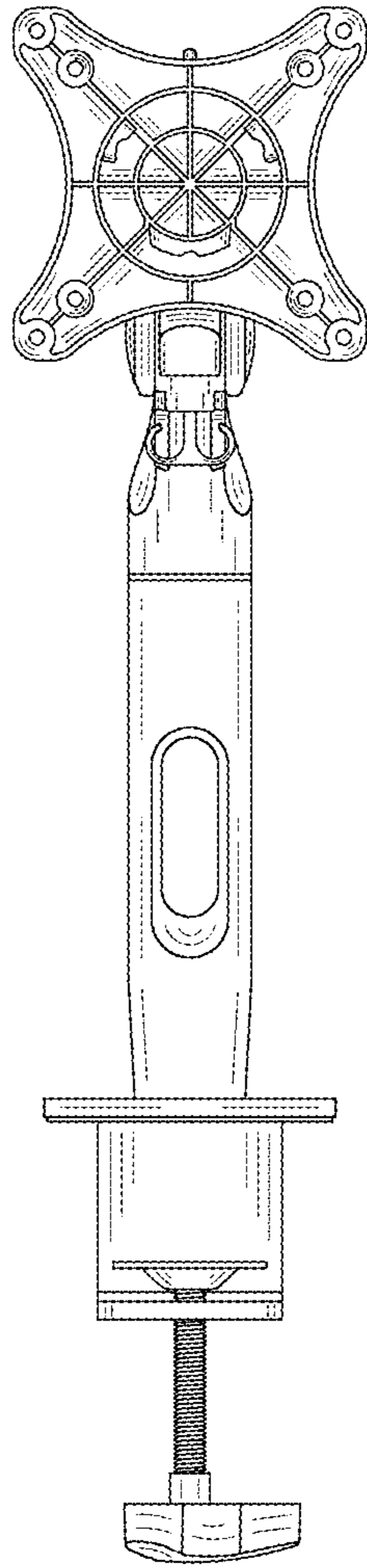


FIG. 1

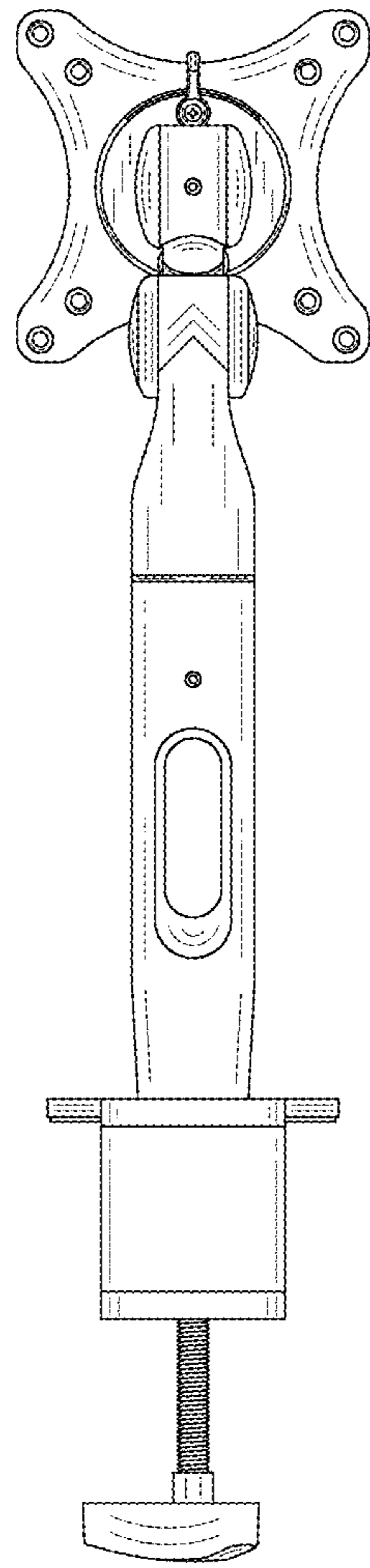


FIG. 2

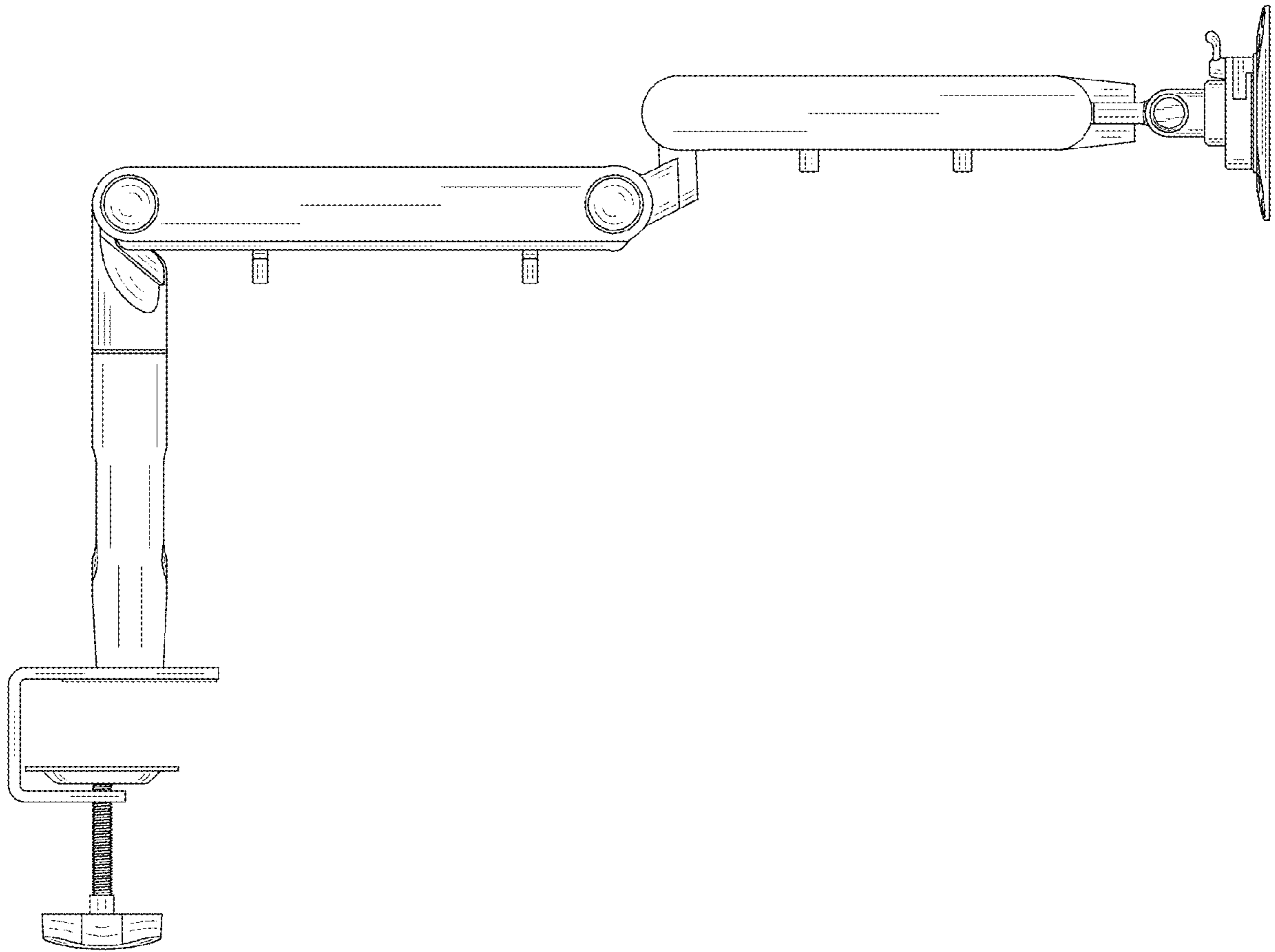


FIG. 3

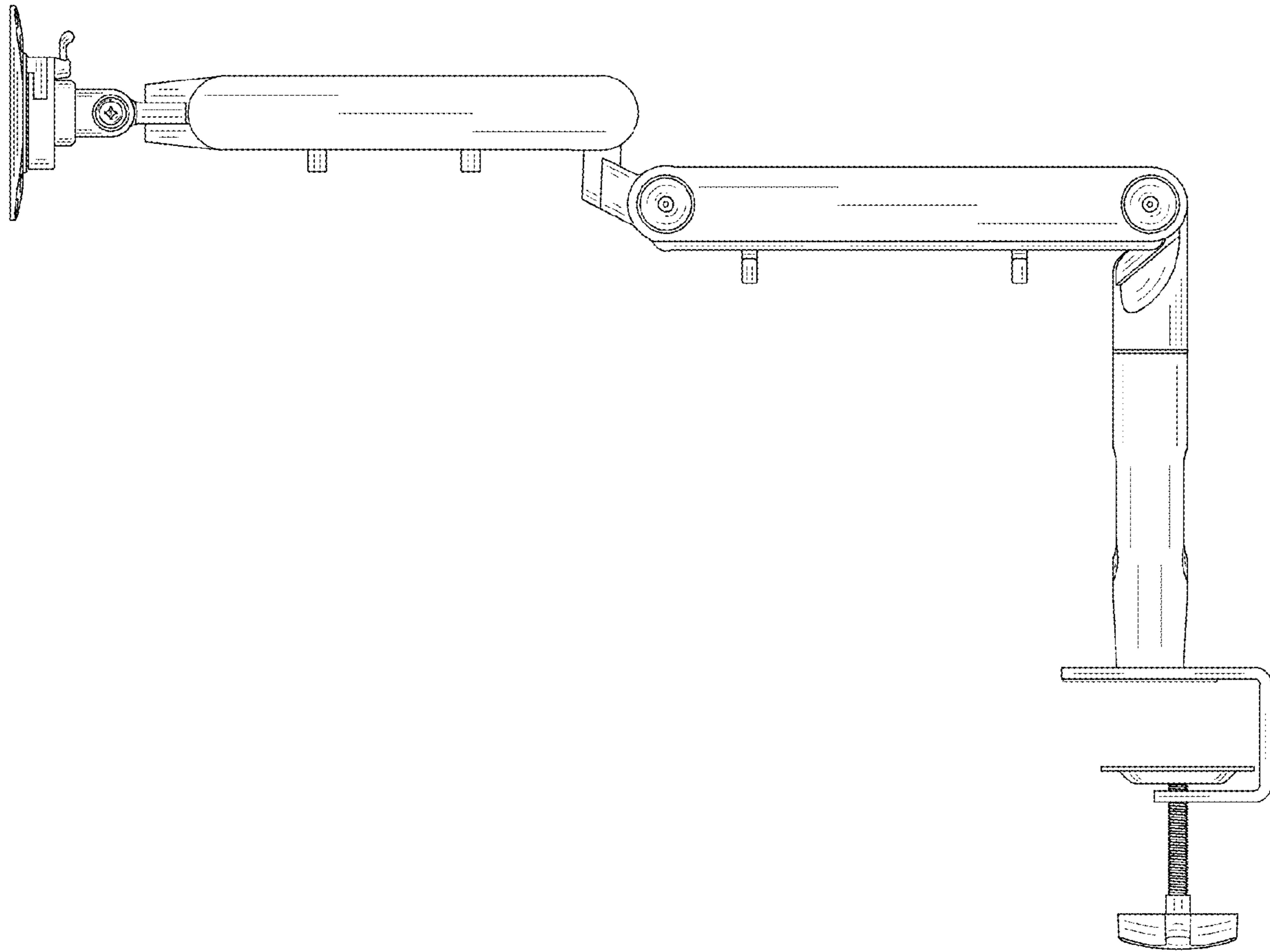


FIG. 4

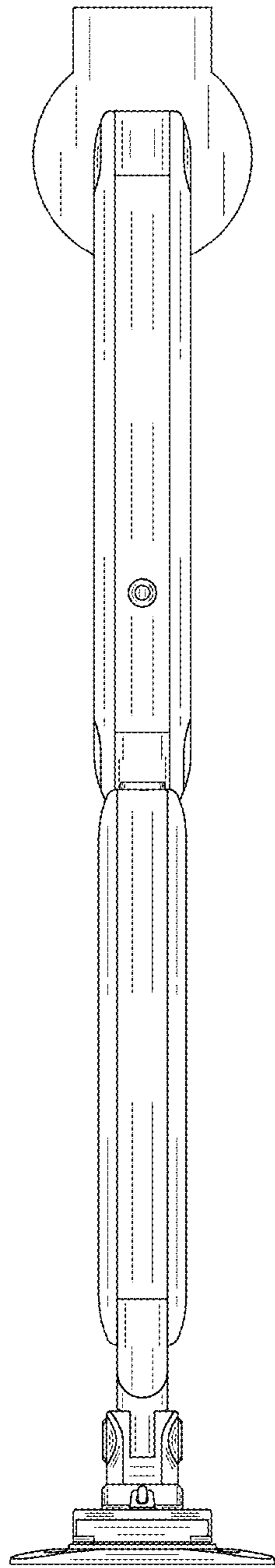


FIG. 5

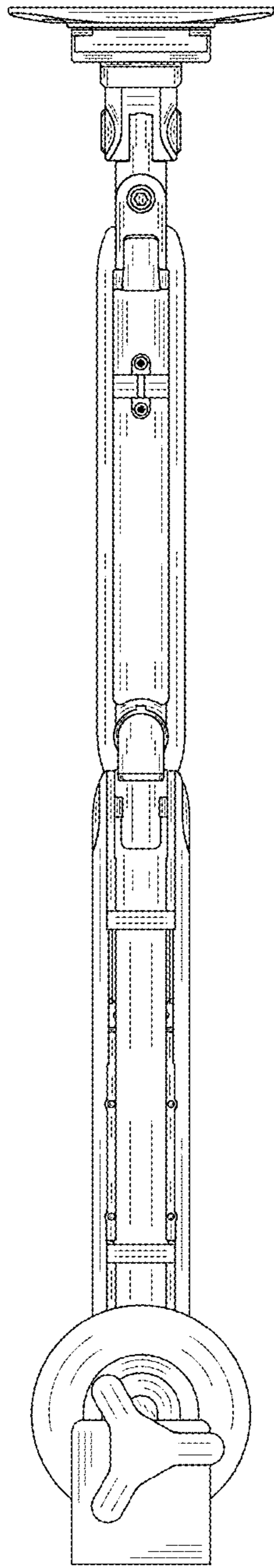


FIG. 6

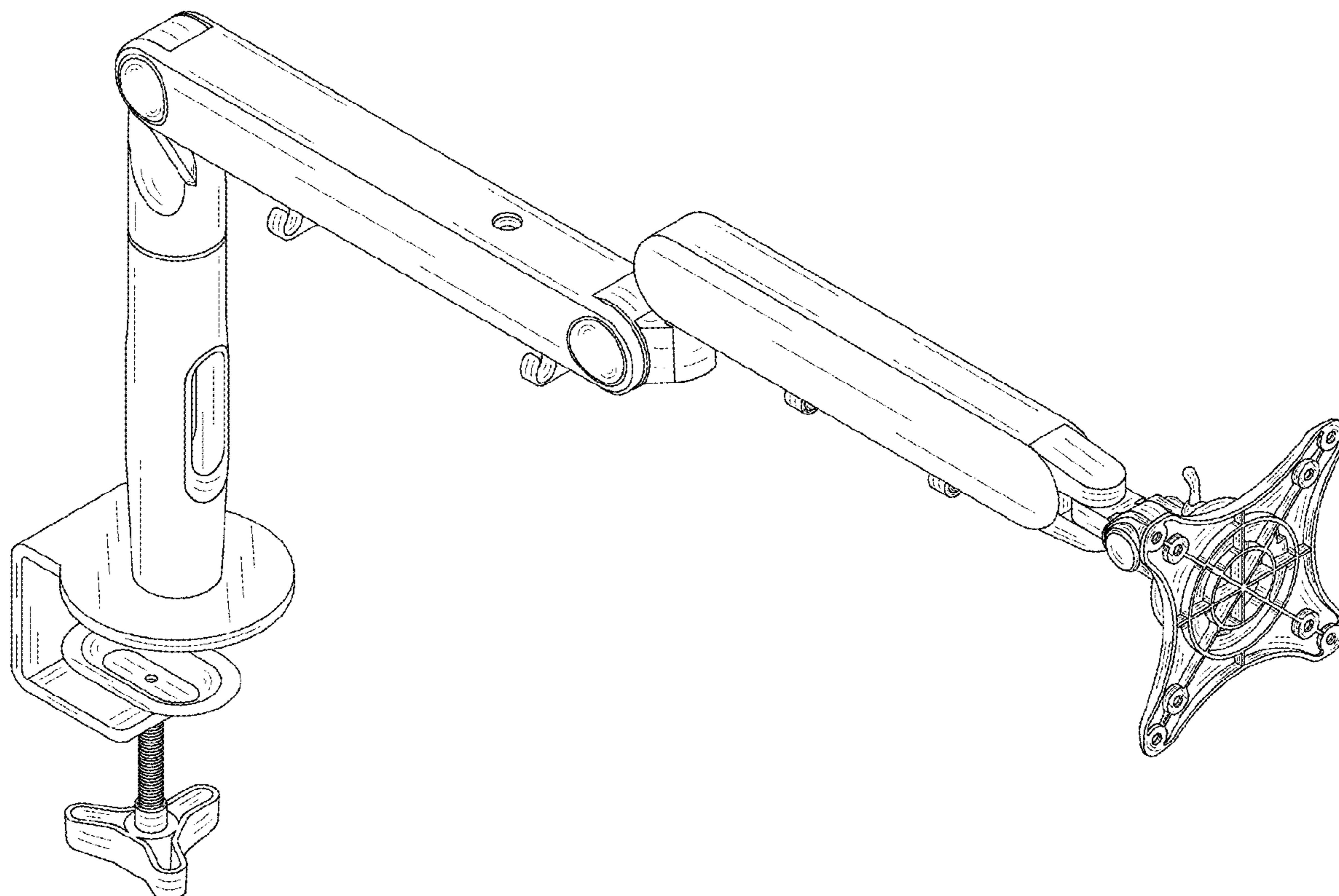


FIG. 7

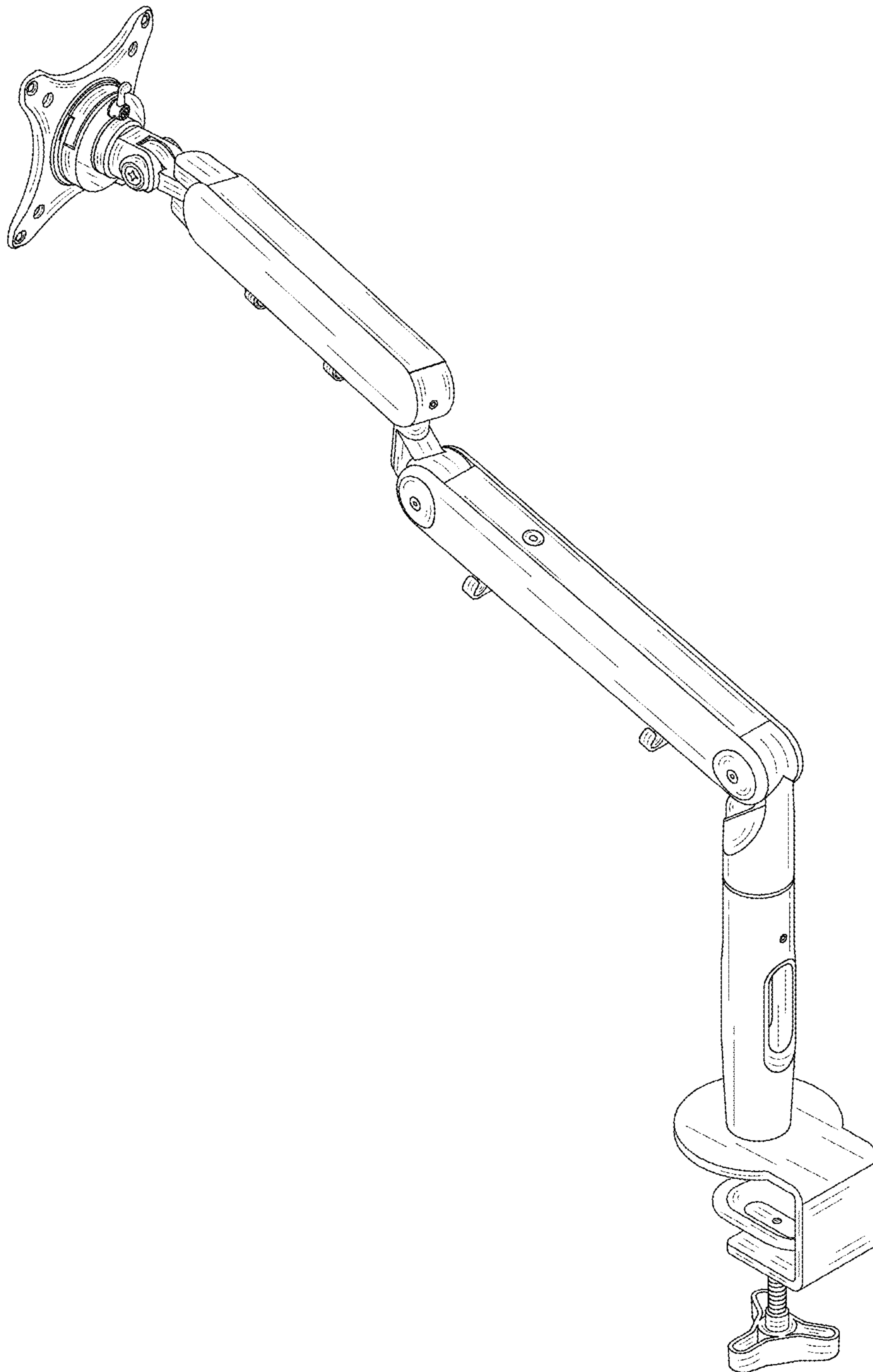


FIG. 8

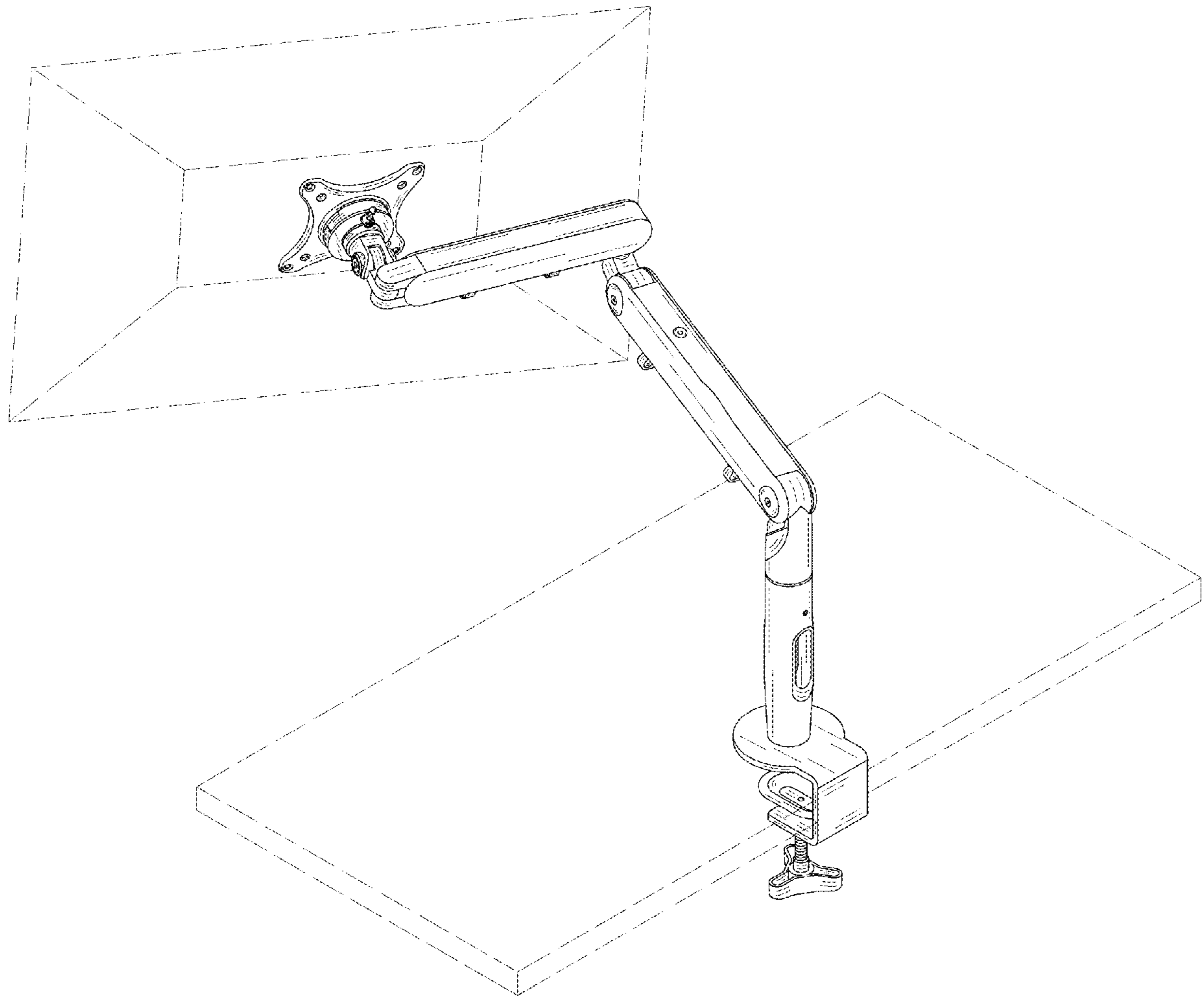


FIG. 9