



US00D989082S

(12) **United States Design Patent**
Yi et al.

(10) **Patent No.:** **US D989,082 S**
(45) **Date of Patent:** **** Jun. 13, 2023**

(54) **STAND FOR MOBILE ELECTRONIC DEVICE**

(71) Applicant: **Shenzhen Lanhe Technologies Co., Ltd.**, Shenzhen (CN)

(72) Inventors: **Wenchao Yi**, Guangdong (CN);
Xinghua Yang, Guangdong (CN)

(73) Assignee: **SHENZHEN LANHE TECHNOLOGIES CO., LTD.**, Shenzhen (CN)

(**) Term: **15 Years**

(21) Appl. No.: **29/815,826**

(22) Filed: **Nov. 17, 2021**

(30) **Foreign Application Priority Data**

May 18, 2021 (CN) 202130297913.5

(51) **LOC (14) Cl.** **14-03**

(52) **U.S. Cl.**
USPC **D14/447**

(58) **Field of Classification Search**
USPC D14/447, 432, 434, 439, 440, 451, 452, D14/457, 239, 251, 253; D8/363, 373, D8/380; D6/406.3, 406.4, 406.5, 406.6; D12/415; D19/91; D3/218; D13/108
CPC A47B 21/04; A47B 2097/006; A47B 2097/005; A47B 2023/049; A45C 2011/002; A45C 2011/003; F16M 2200/00; F16M 13/00; A45F 2200/0516; A45F 2200/0525

See application file for complete search history.

(56) **References Cited**

U.S. PATENT DOCUMENTS

D390,209 S * 2/1998 Dials D8/349
D483,767 S * 12/2003 Green D14/447

6,833,988 B2 * 12/2004 Kamphuis G06F 1/1632
361/679.41
D508,055 S * 8/2005 Lo D14/451
D539,291 S * 3/2007 Li D14/447
D767,575 S * 9/2016 Green D14/447
D786,883 S * 5/2017 Chen D14/447
D788,781 S * 6/2017 Chen D14/447

(Continued)

Primary Examiner — Angela J Lee

(74) *Attorney, Agent, or Firm* — Andrew C. Cheng

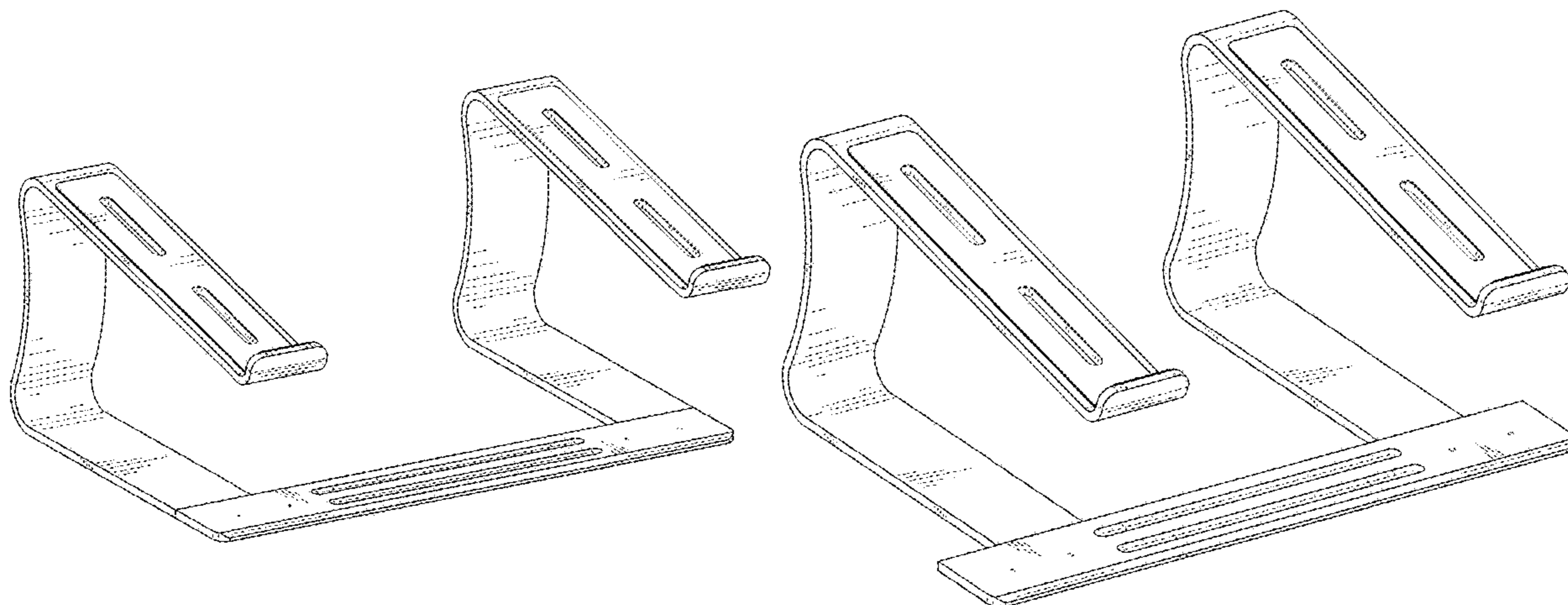
(57) **CLAIM**

We claim the ornamental design for a stand for mobile electronic device, as shown and described.

DESCRIPTION

FIG. 1 is a front view of a stand for mobile electronic device according to a first embodiment;
FIG. 2 is a rear view thereof;
FIG. 3 is a left side view thereof;
FIG. 4 is a right side view thereof;
FIG. 5 is a top view thereof;
FIG. 6 is a bottom view thereof;
FIG. 7 is a front, left and top perspective view thereof;
FIG. 8 is a rear, left and bottom perspective view thereof;
FIG. 9 is a front view of a stand for mobile electronic device according to a second embodiment;
FIG. 10 is a rear view thereof;
FIG. 11 is a left side view thereof;
FIG. 12 is a right side view thereof;
FIG. 13 is a top view thereof;
FIG. 14 is a bottom view thereof;
FIG. 15 is a front, left and top perspective view thereof; and,
FIG. 16 is a rear, left and bottom perspective view thereof.
The broken lines depict portions of the stand for mobile electronic device in which the design is embodied that form no part of the claimed design.

1 Claim, 16 Drawing Sheets



(56)

References Cited

U.S. PATENT DOCUMENTS

D829,215 S	*	9/2018	Magargee	D14/447
D847,822 S	*	5/2019	Lye	D14/447
D893,499 S	*	8/2020	Kirkpatrick	D14/447
D955,399 S	*	6/2022	Shi	D14/447
D971,927 S	*	12/2022	Lin	D14/447

* cited by examiner

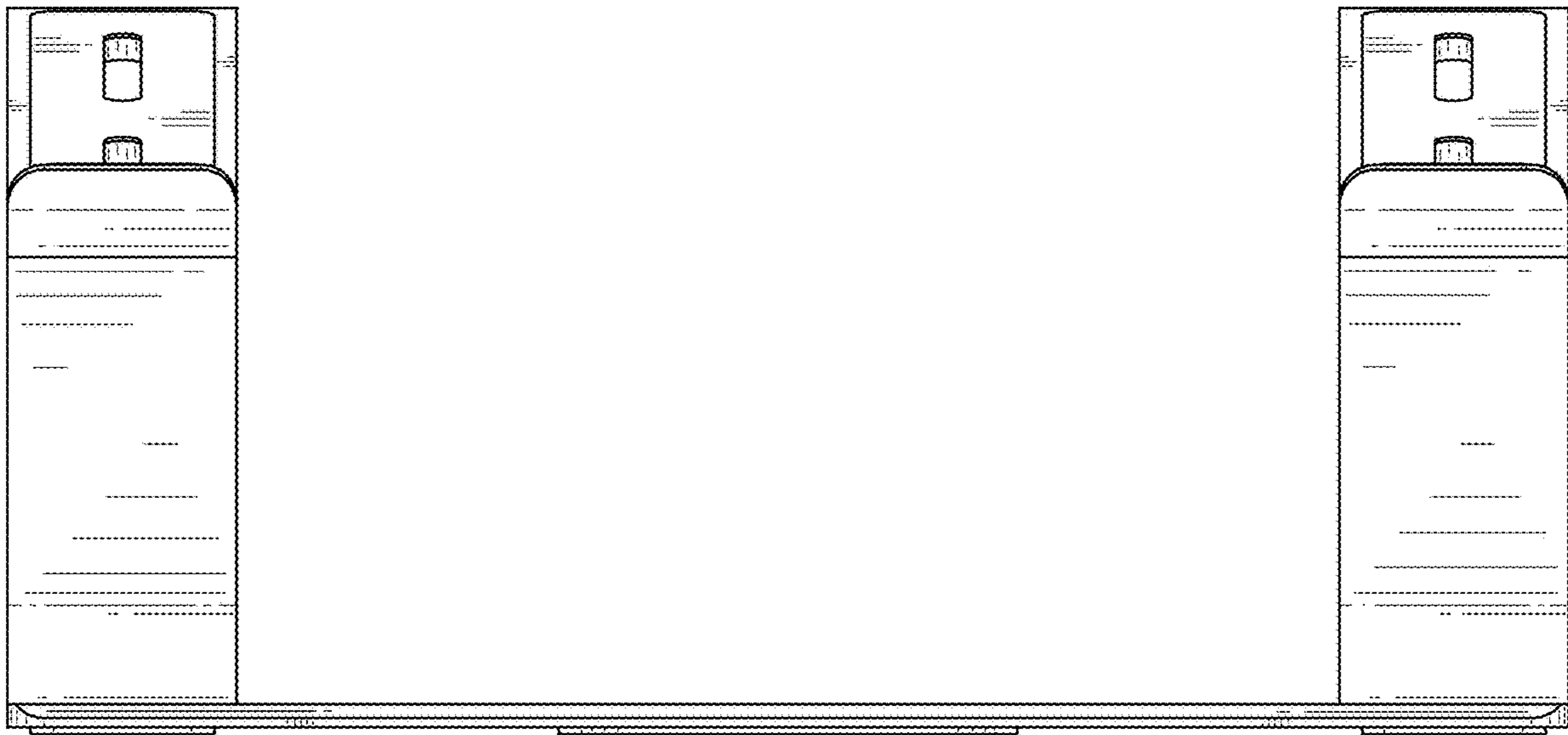


Fig. 1

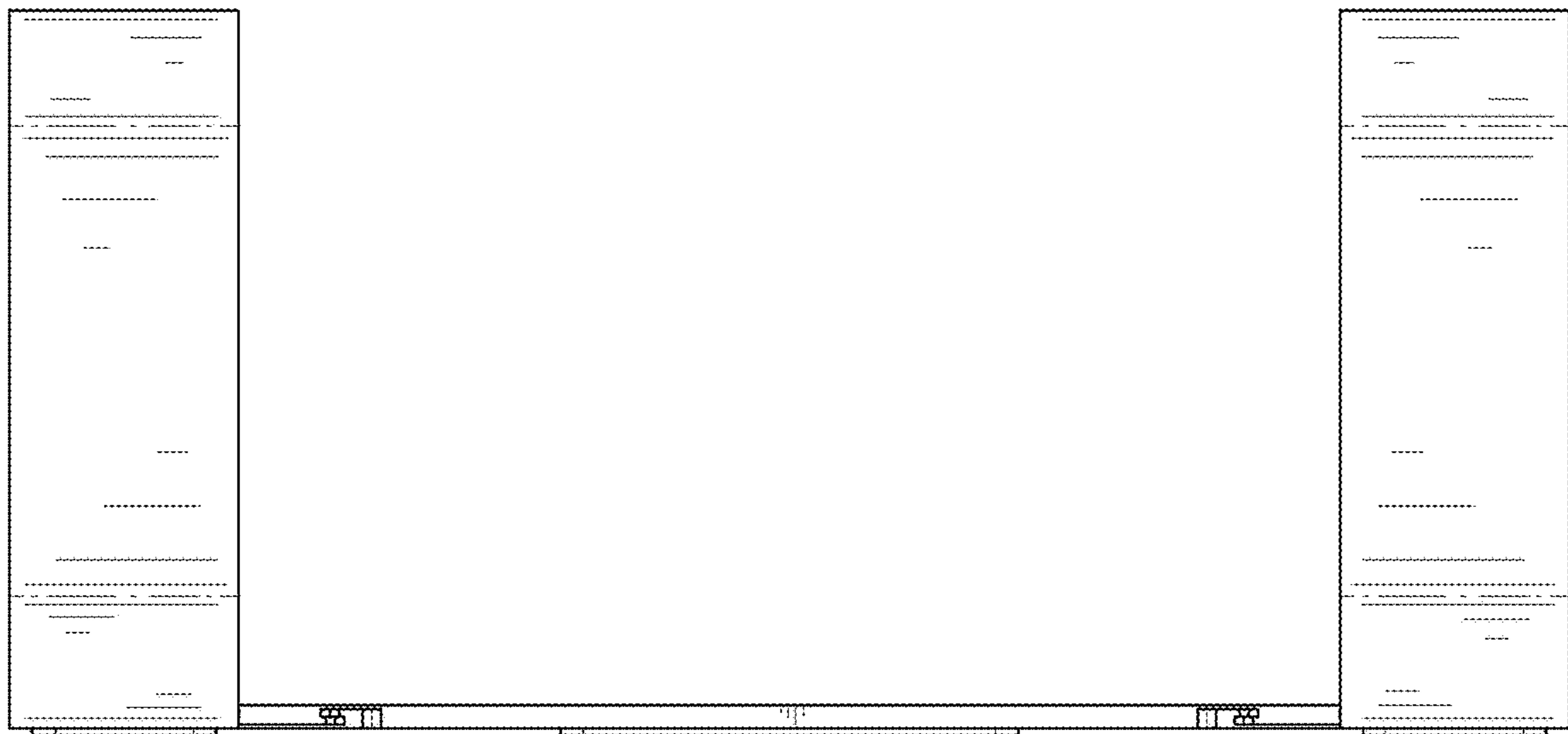


Fig. 2

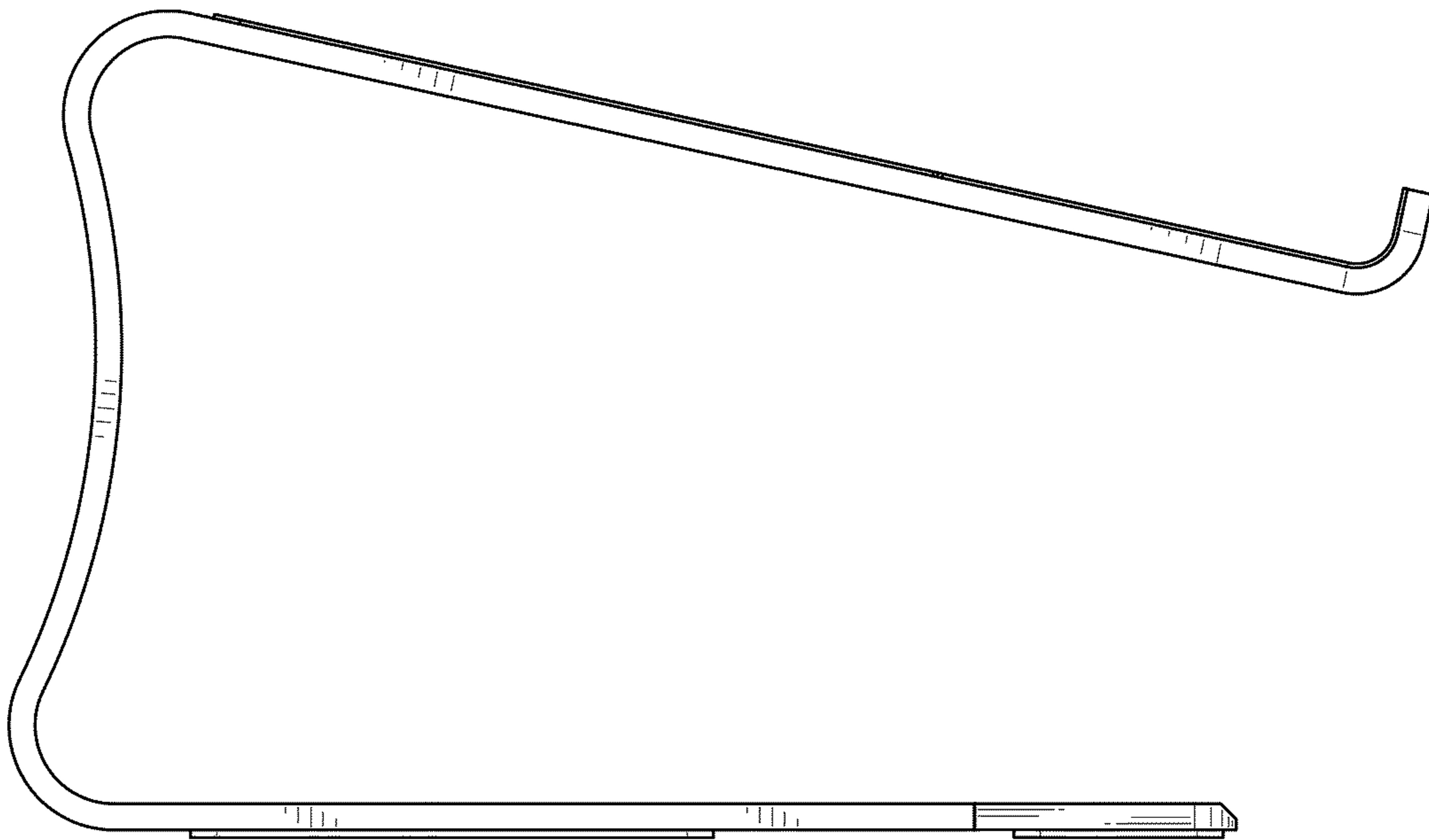


Fig. 3

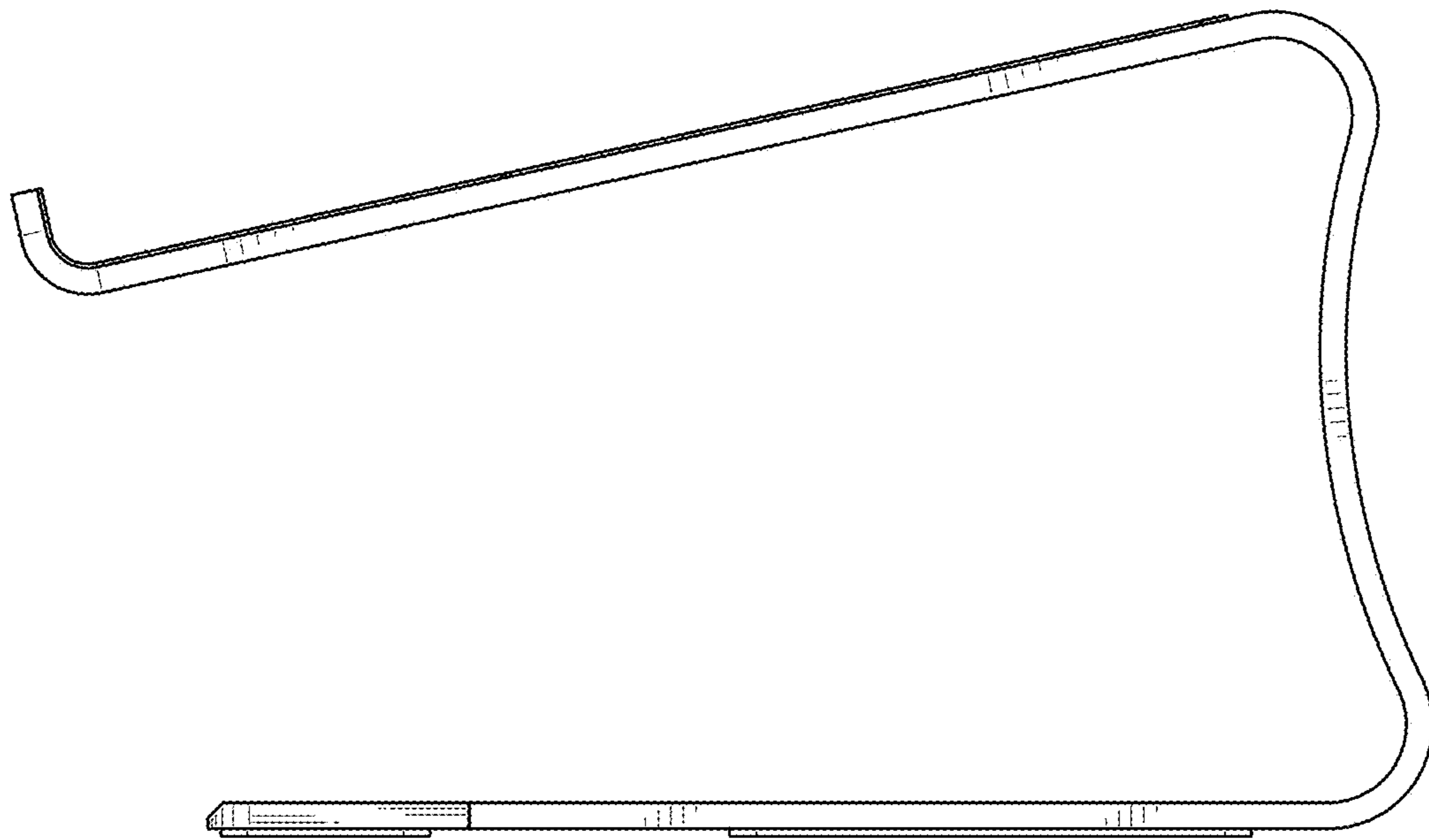


Fig. 4

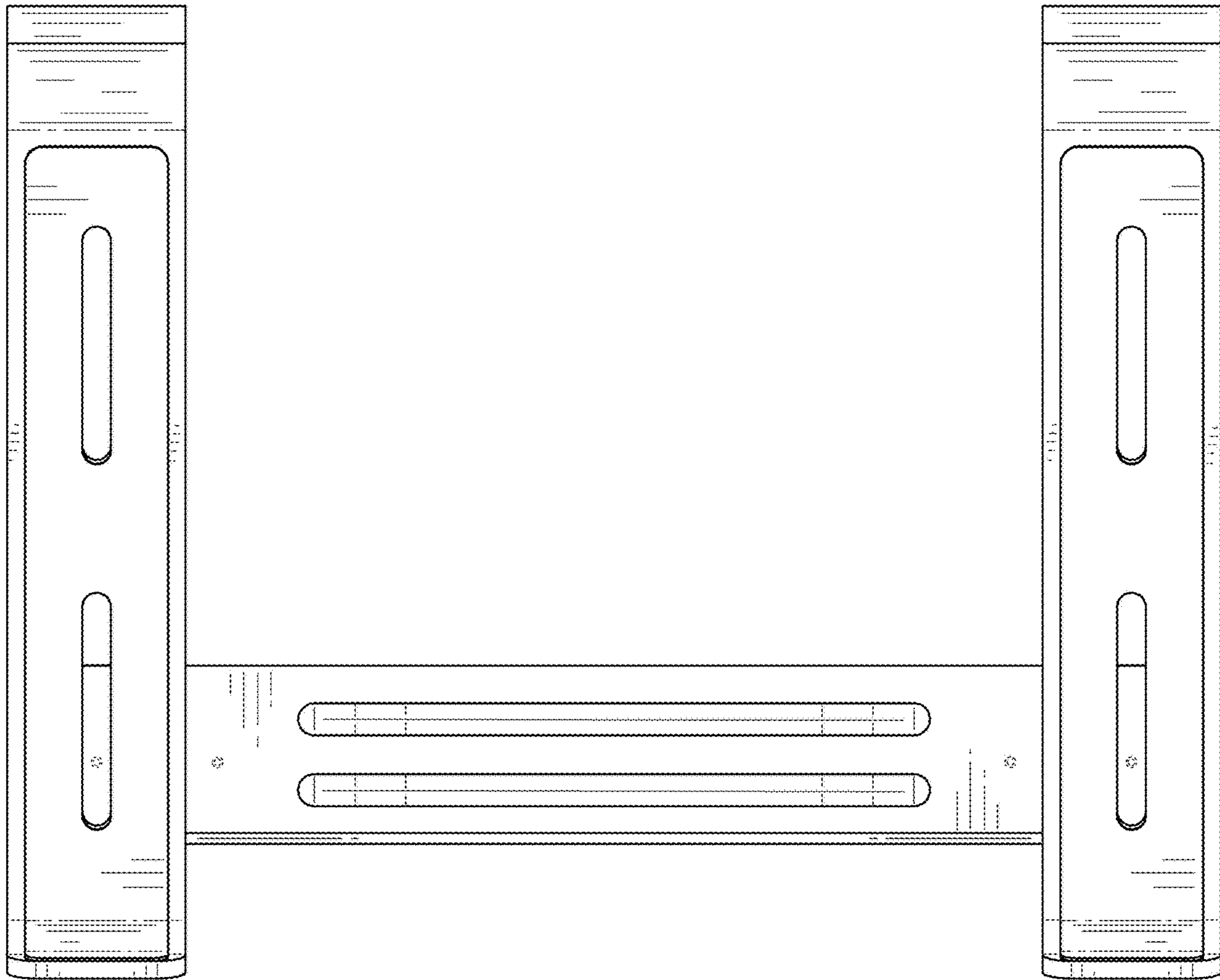


Fig. 5

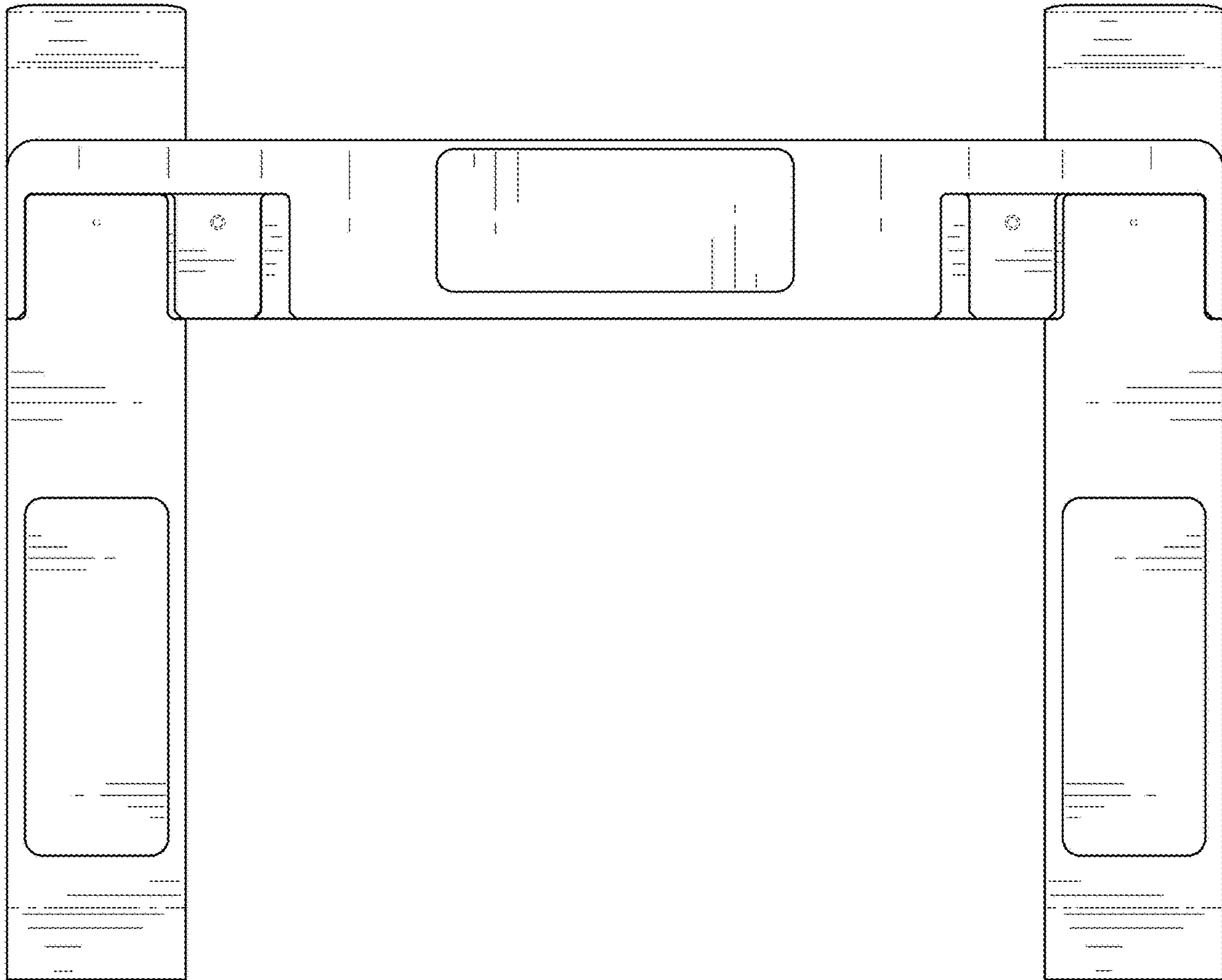


Fig. 6

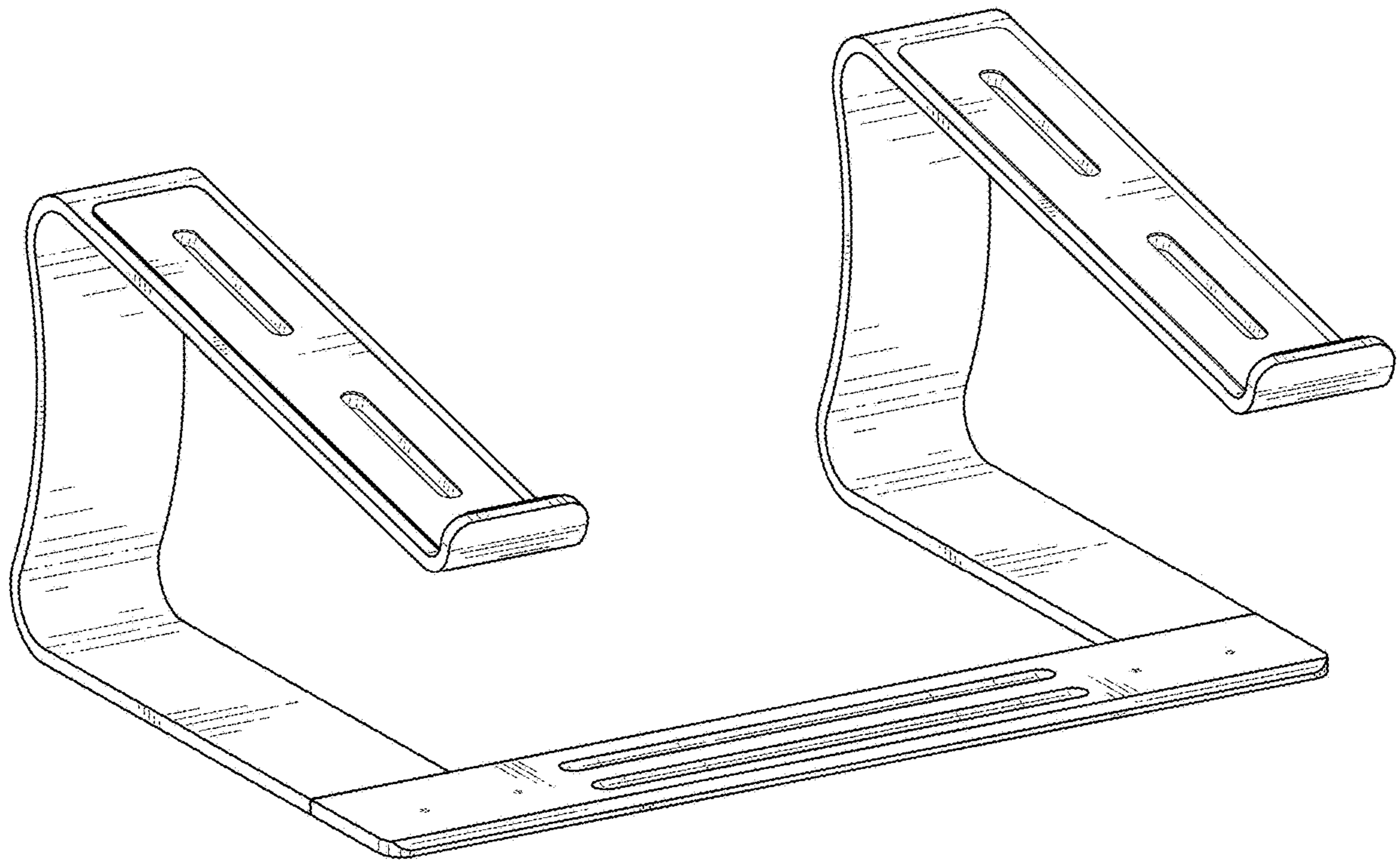


Fig. 7

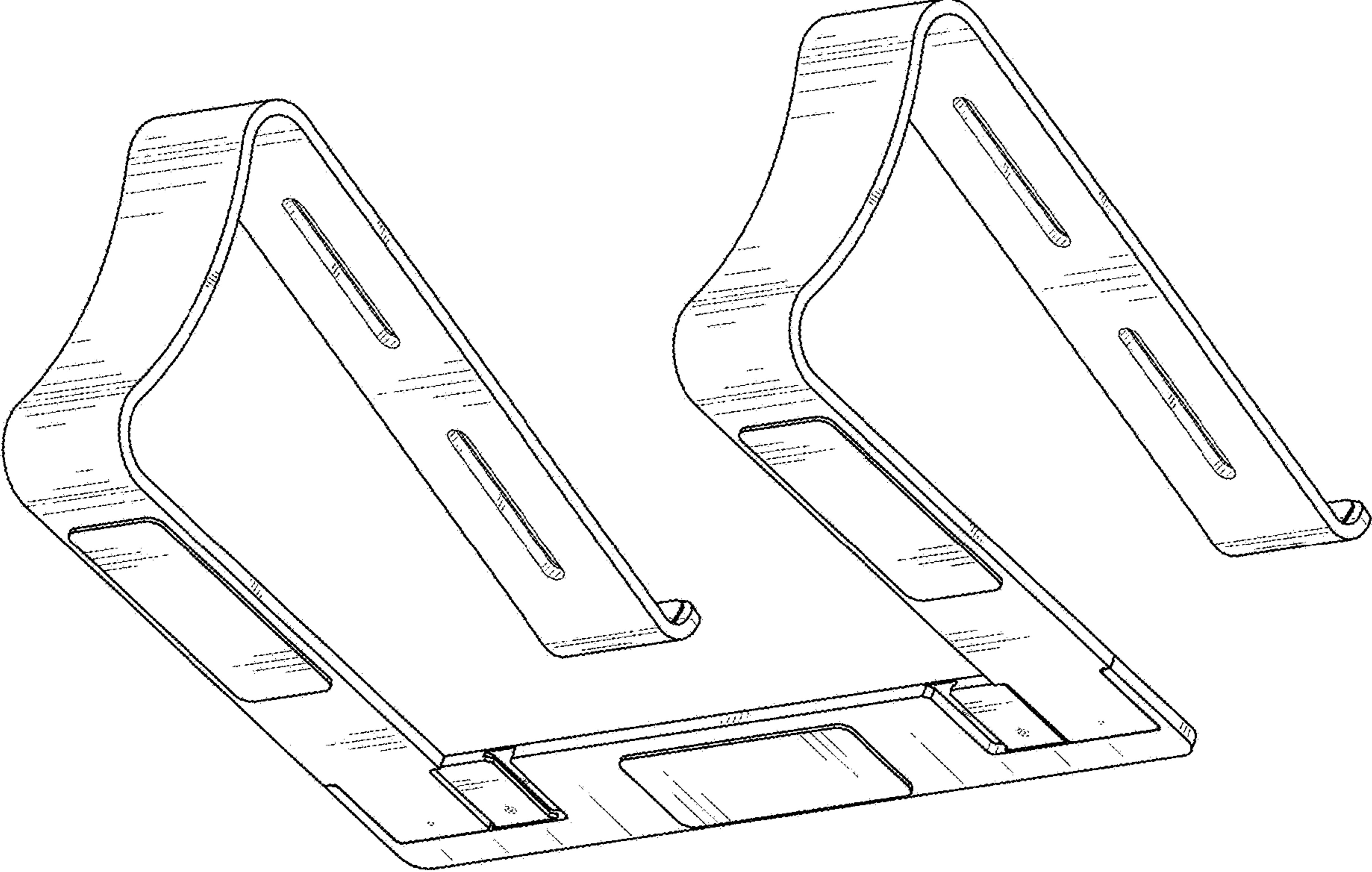


Fig. 8

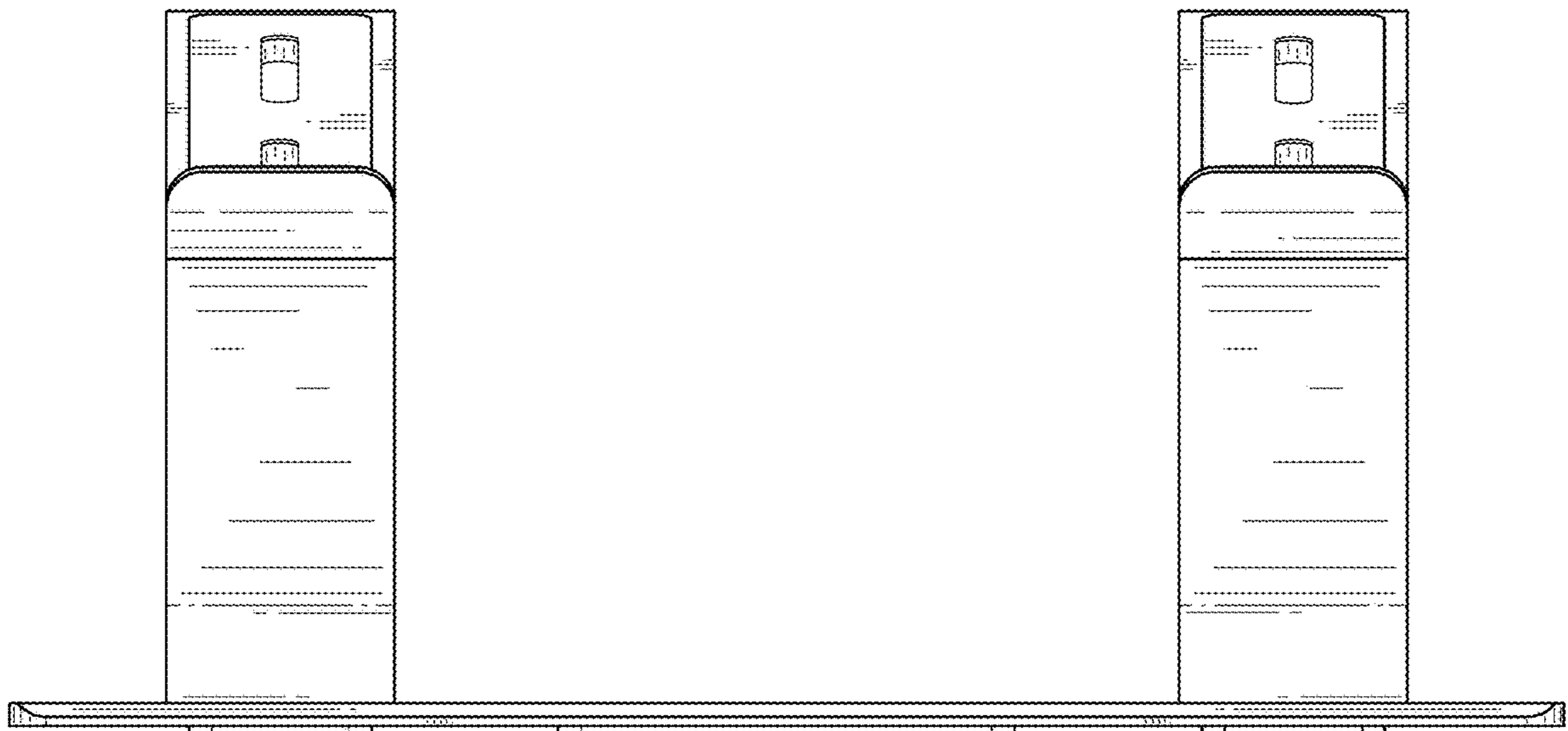


Fig. 9

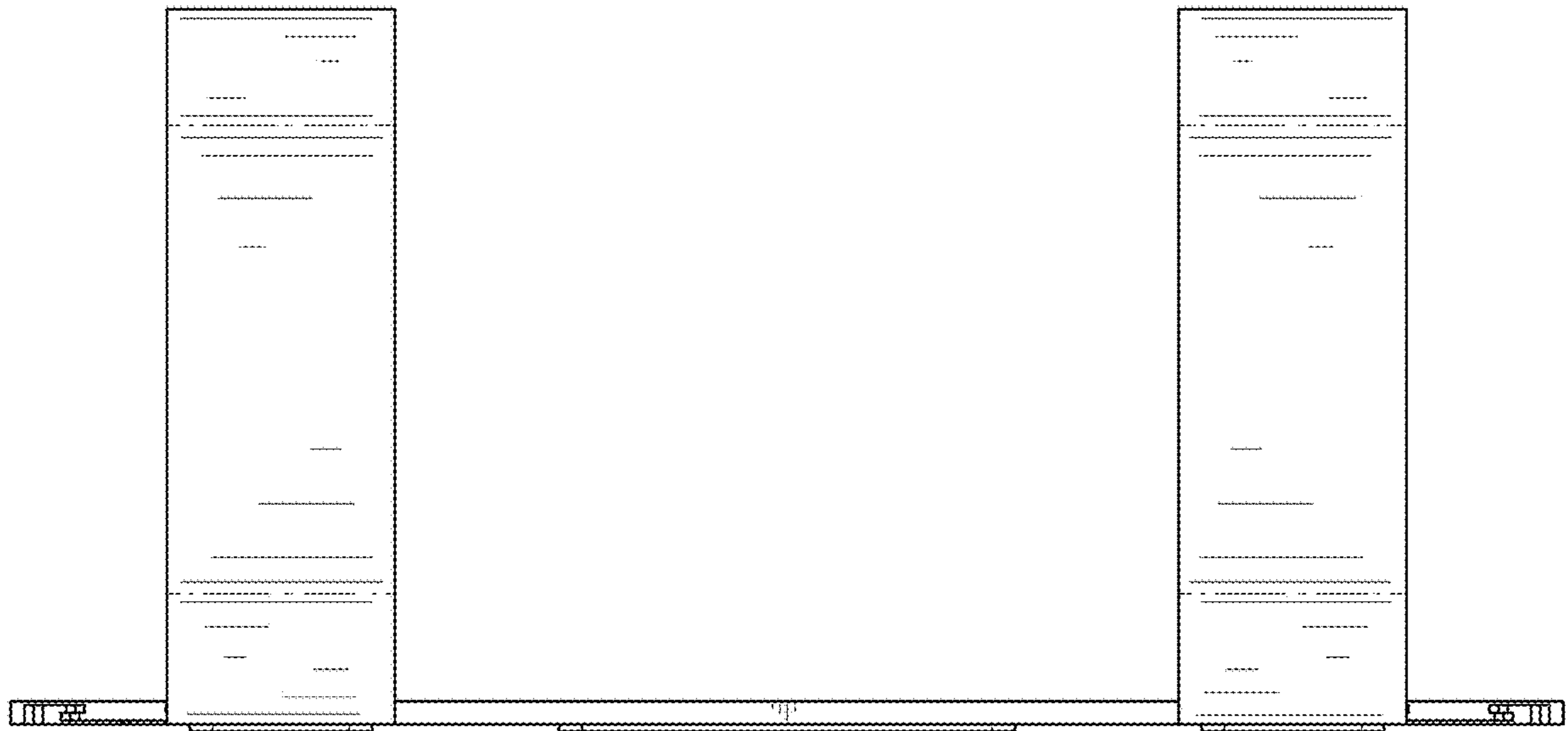


Fig. 10

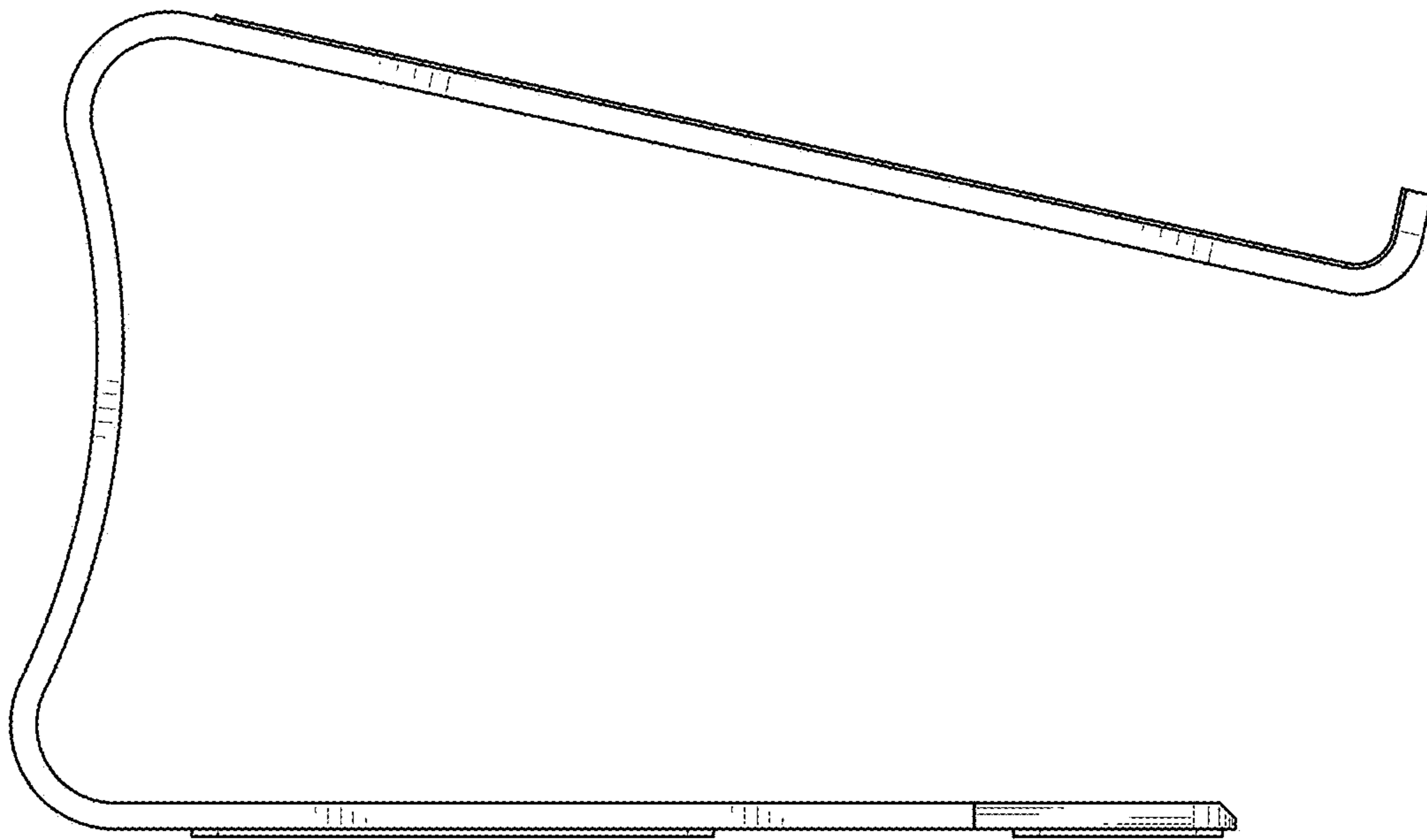


Fig. 11

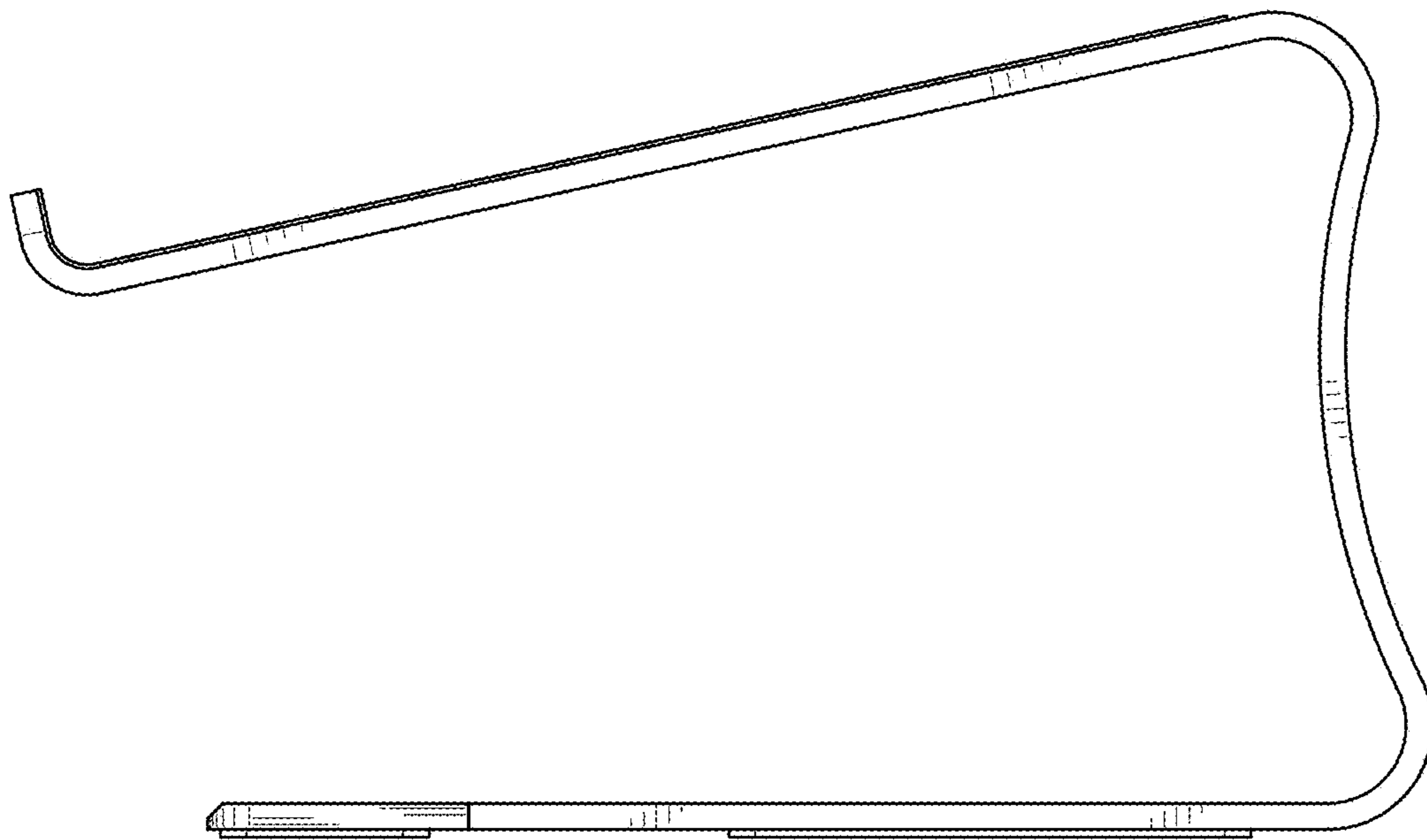


Fig. 12

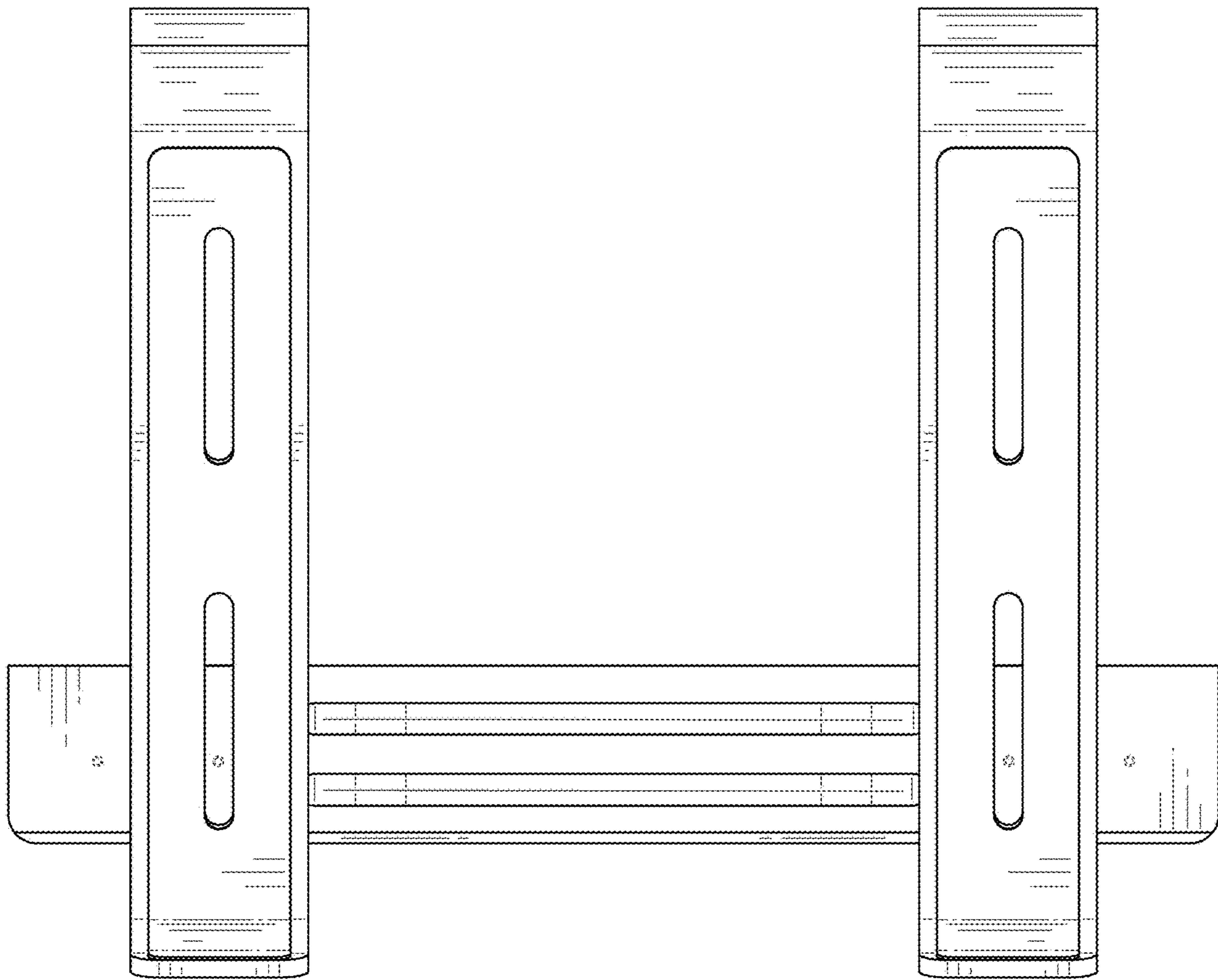


Fig. 13

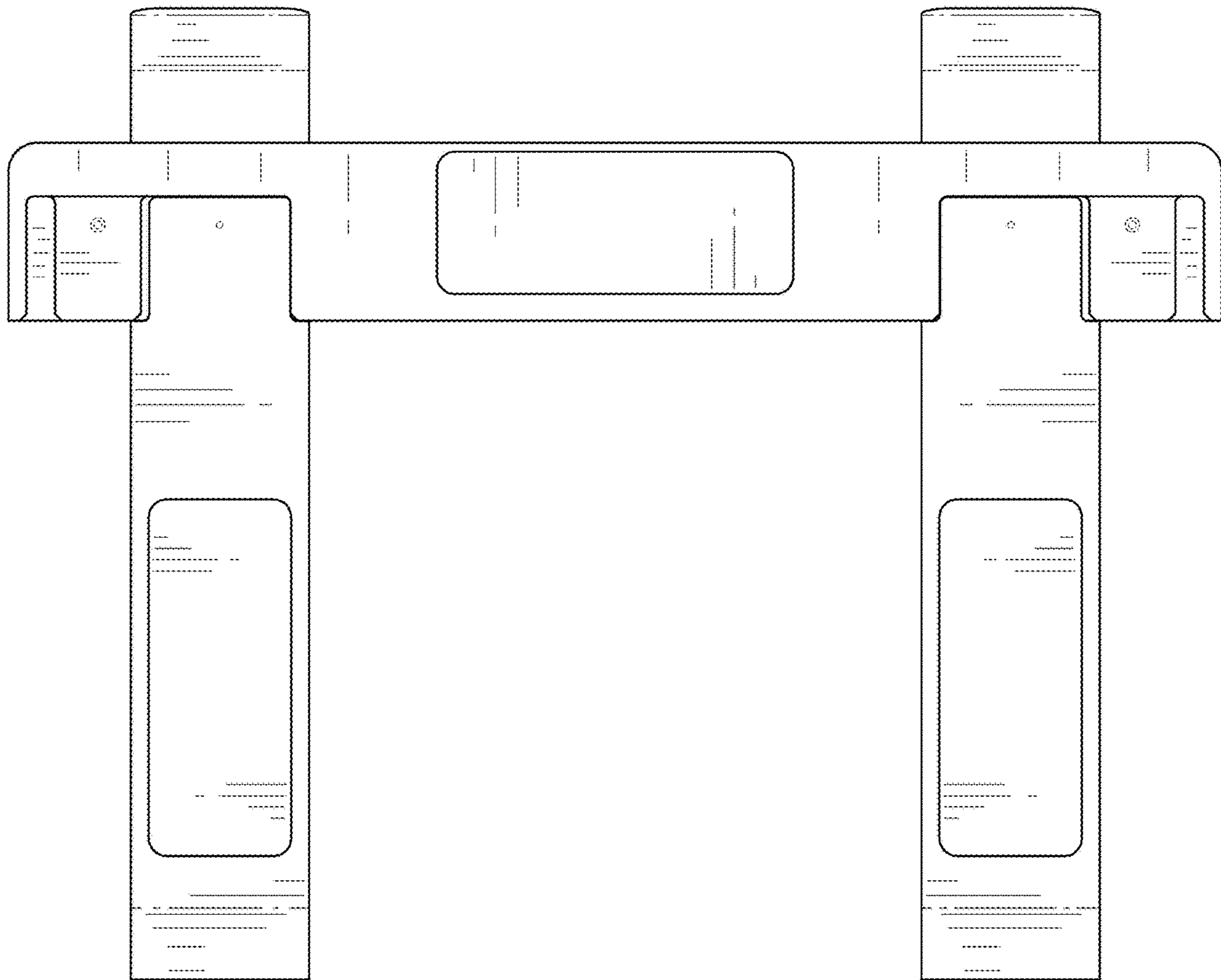


Fig. 14

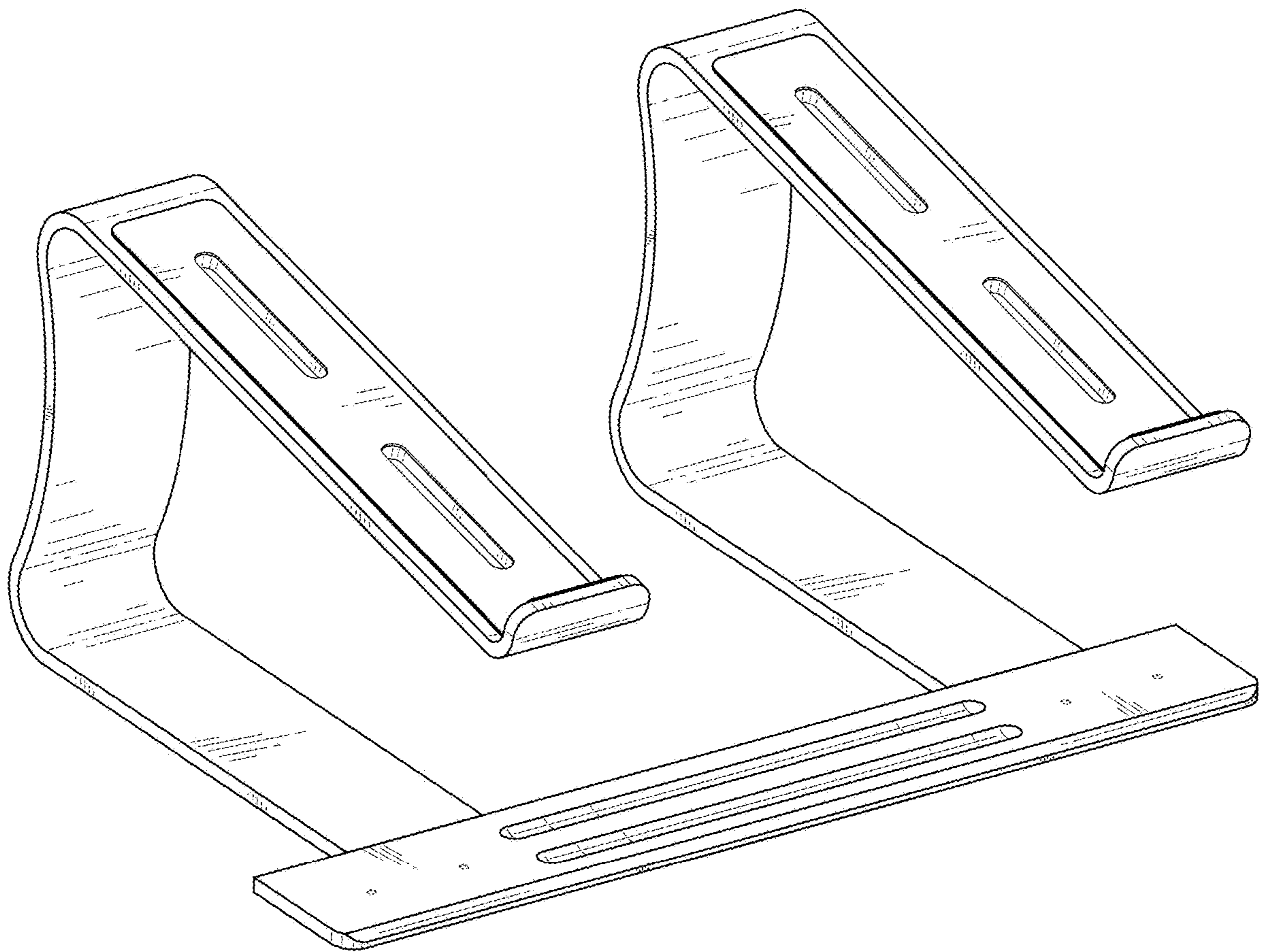


Fig. 15

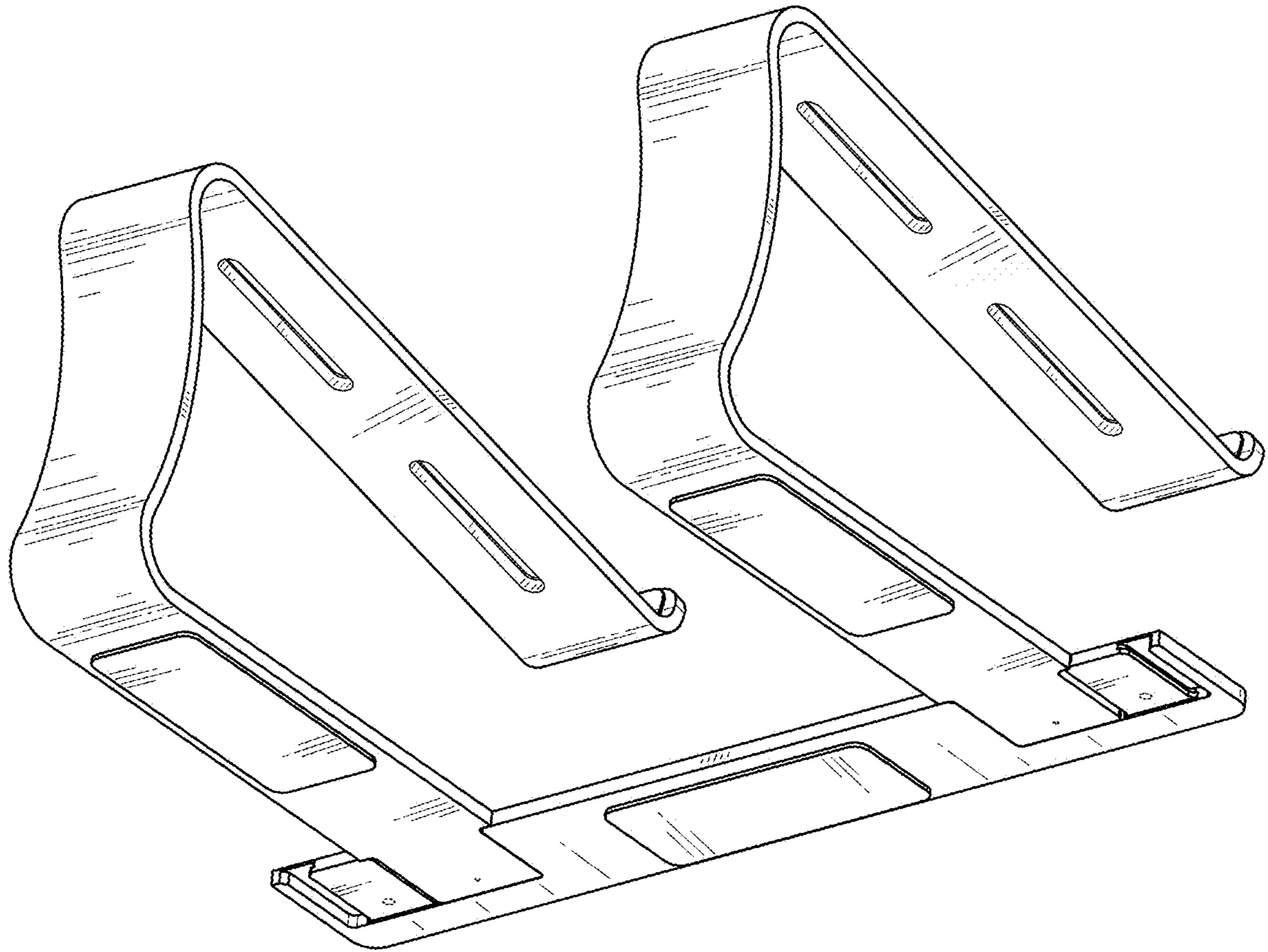


Fig. 16