



US00D989079S

(12) **United States Design Patent**
Nyholm et al.

(10) **Patent No.:** **US D989,079 S**
(45) **Date of Patent:** **** Jun. 13, 2023**

(54) **CASE FOR A TABLET SHAPED DEVICE**

(71) Applicant: **STM Management Pty Ltd,**
Alexandria (AU)

(72) Inventors: **Ethan Nyholm,** North Bondi (AU);
Jacob Goodridge, Kelvin Grove (AU)

(73) Assignee: **STM Management Pty Ltd,**
Alexandria (AU)

(**) Term: **15 Years**

(21) Appl. No.: **29/799,610**

(22) Filed: **Jul. 15, 2021**

(30) **Foreign Application Priority Data**

Apr. 9, 2021 (AU) 202112030

(51) **LOC (14) Cl.** **14-02**

(52) **U.S. Cl.**
USPC **D14/440**

(58) **Field of Classification Search**
USPC D14/440, 447, 250; 206/45.23, 320,
206/45.2; 361/679.55; 294/25; 224/218
CPC ... G06F 1/1628; G06F 1/1626; A47B 23/044;
H04B 1/3888; A45C 11/00
See application file for complete search history.

(56) **References Cited**

U.S. PATENT DOCUMENTS

D733,154 S * 6/2015 Armstrong D14/440
D789,936 S * 6/2017 Nyholm D14/440

D804,490 S * 12/2017 Wei D14/447
D888,719 S * 6/2020 Moore D14/440
D904,413 S * 12/2020 Feng D14/440
D942,982 S * 2/2022 Cheng D14/440
D967,111 S * 10/2022 Yang D14/440
D969,814 S * 11/2022 Zhu D14/320
D970,460 S * 11/2022 Akana D14/138 AA
2014/0151248 A1 * 6/2014 Hurst B65D 25/24
206/45.23
2017/0005687 A1 * 1/2017 Nyholm A45C 13/02

* cited by examiner

Primary Examiner — Cynthia R Underwood

(74) *Attorney, Agent, or Firm* — Christensen, Fonder,
Dardi & Herbert PLLC

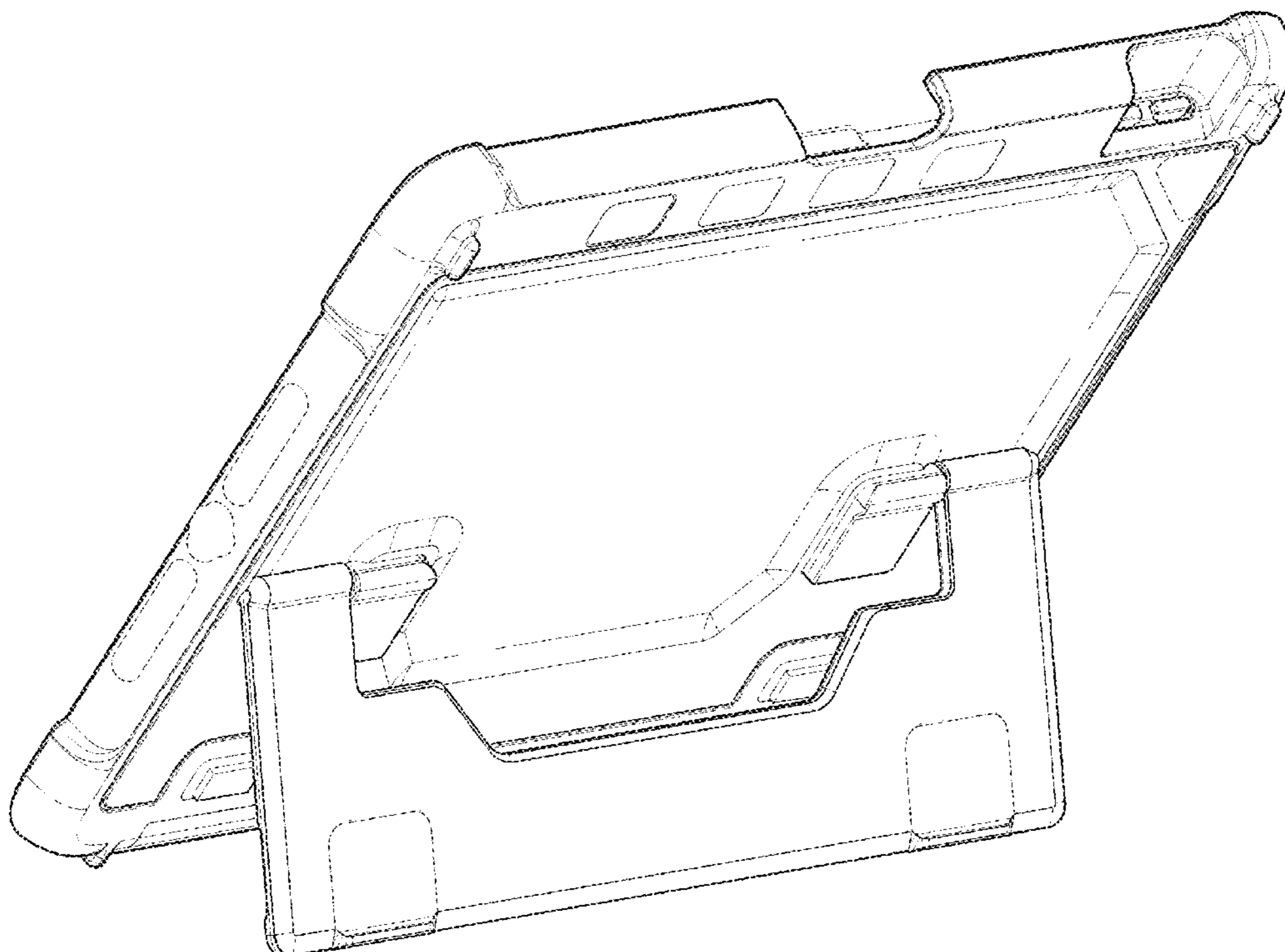
(57) **CLAIM**

We claim the ornamental design for a case for a tablet shaped device, as shown and described.

DESCRIPTION

FIG. 1 shows an isometric view of a bottom of a case for a tablet shaped device, the case being in a first configuration. FIG. 2 shows a bottom view of the case of FIG. 1. FIG. 3 shows a front view of the case of FIG. 1. FIG. 4 shows a back view of the case of FIG. 1. FIG. 5 shows a side view of the case of FIG. 1. FIG. 6 shows another side view of the case of FIG. 1; and, FIG. 7 shows another isometric view of the case, the case being in a second configuration. The figures include broken lines that are directed to environment and are for illustrative purposes only; the broken lines form no part of the claimed design.

1 Claim, 5 Drawing Sheets



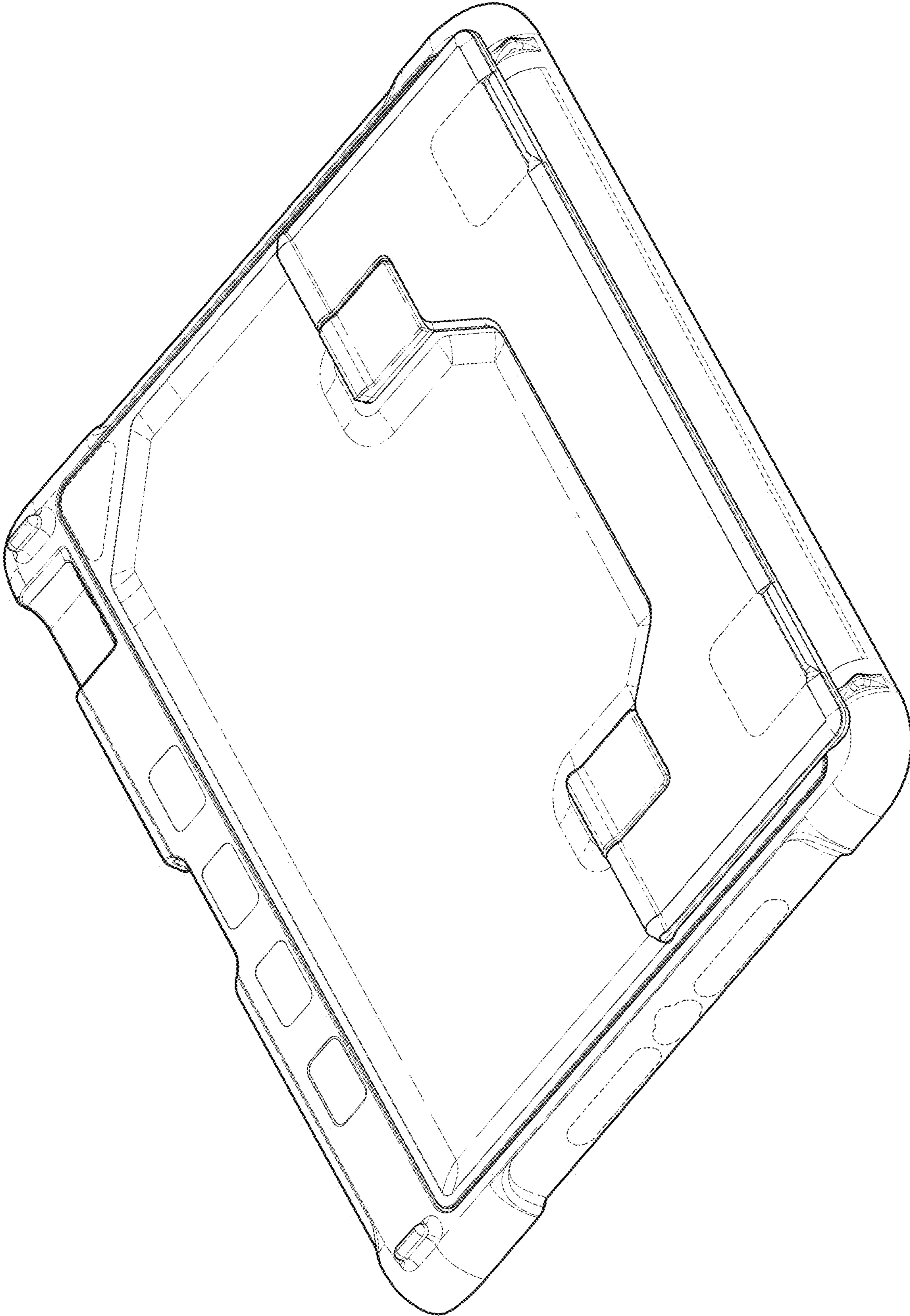


Figure 1

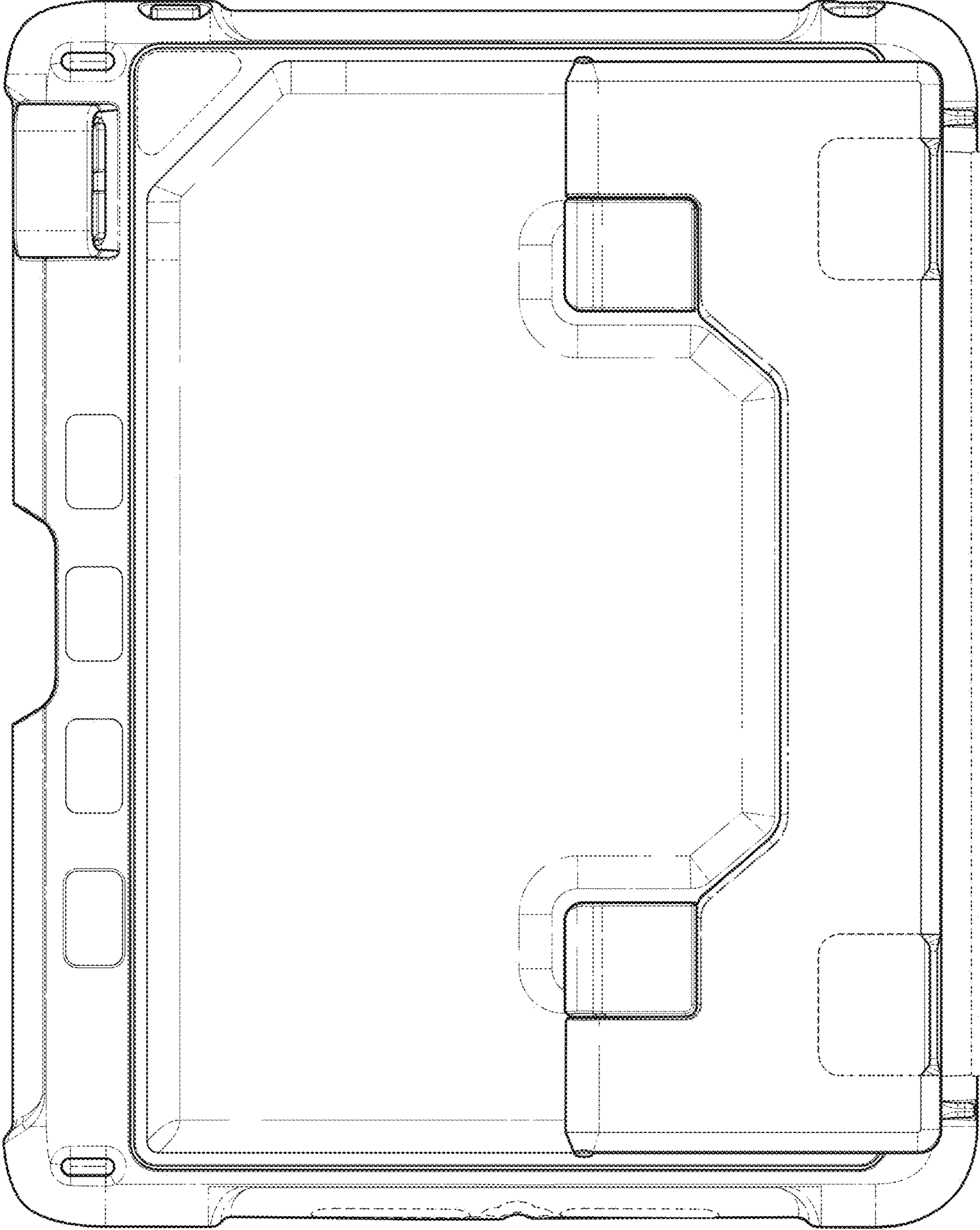


Figure 2

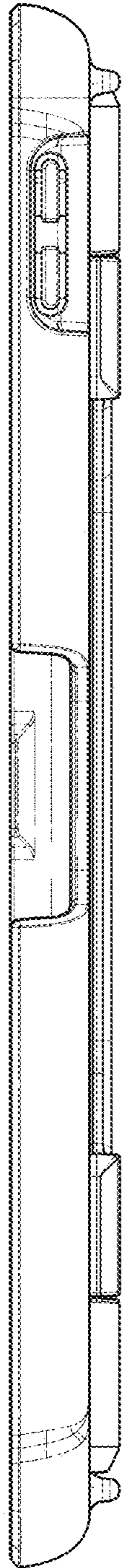


Figure 3

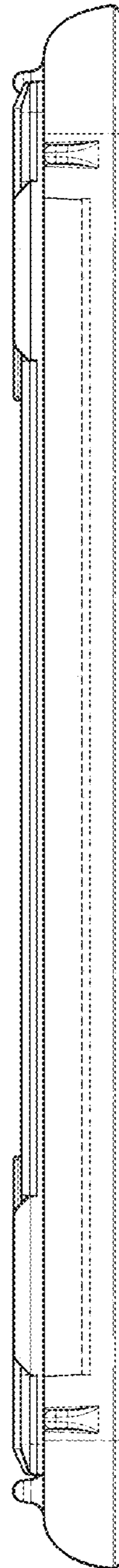


Figure 4

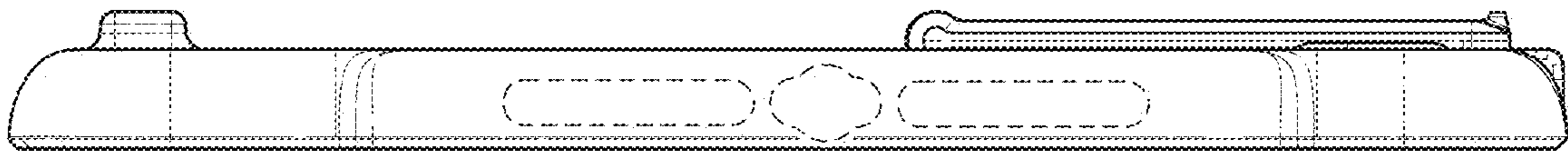


Figure 5

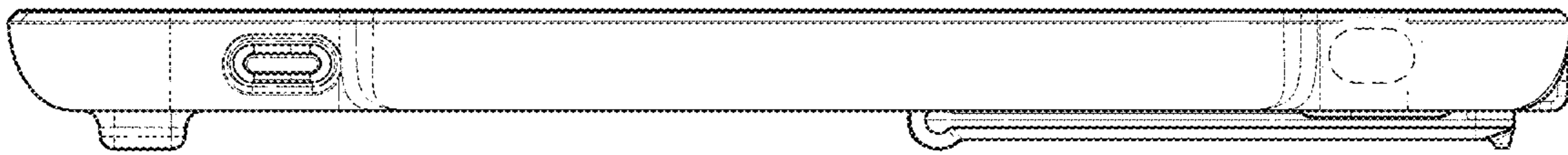


Figure 6

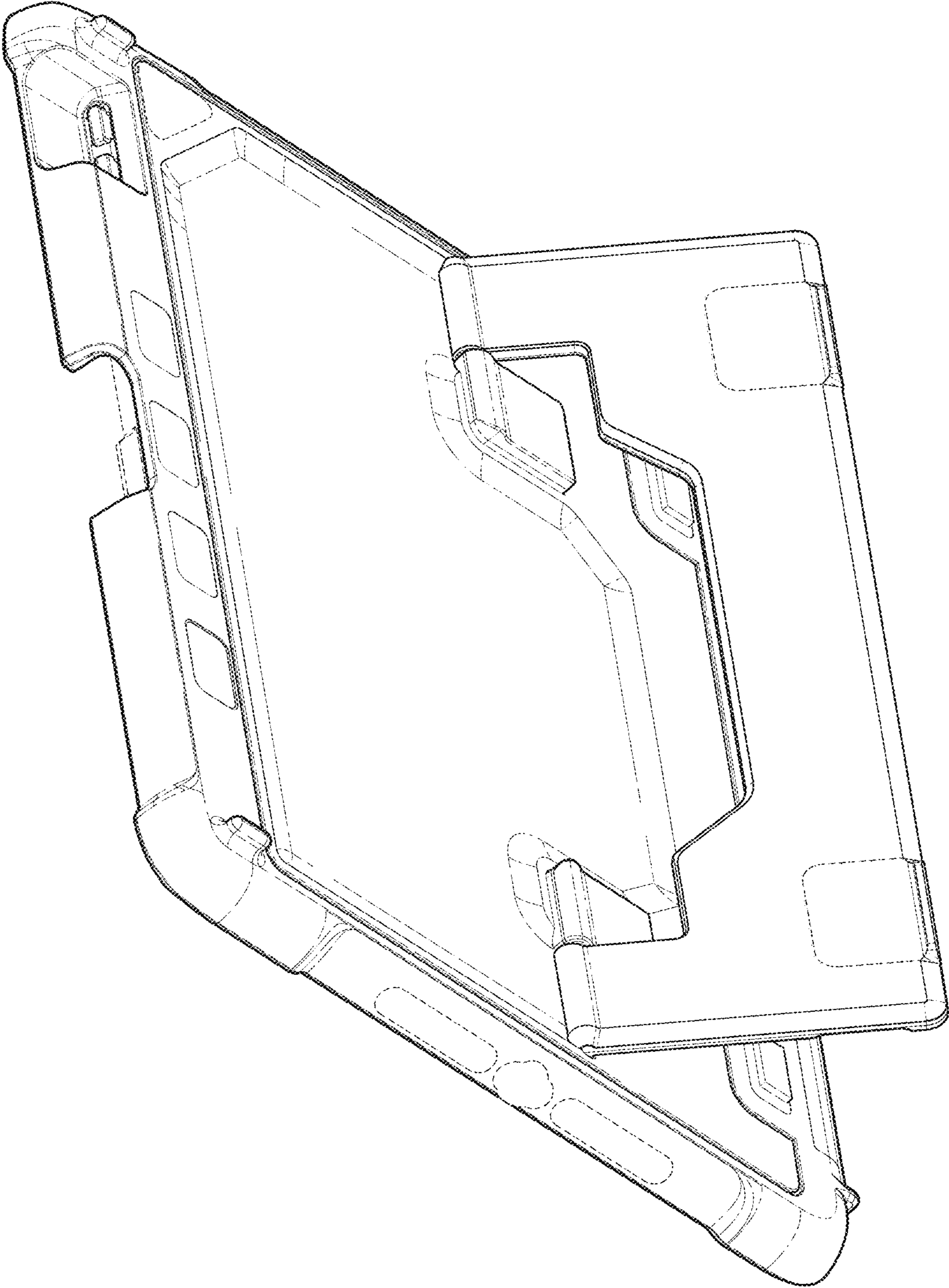


Figure 7