



US00D989078S

(12) **United States Design Patent**
Davis et al.

(10) **Patent No.:** **US D989,078 S**
(45) **Date of Patent:** **** Jun. 13, 2023**

(54) **ELECTRONIC DEVICE CASE**

(71) Applicants: **Sable Diamond Davis**, Tujunga, CA
(US); **Armen Setaghian**, Tujunga, CA
(US)

(72) Inventors: **Sable Diamond Davis**, Tujunga, CA
(US); **Armen Setaghian**, Tujunga, CA
(US)

(**) Term: **15 Years**

(21) Appl. No.: **29/788,396**

(22) Filed: **May 14, 2021**

(51) **LOC (14) Cl.** **14-02**

(52) **U.S. Cl.**
USPC **D14/440**

(58) **Field of Classification Search**
USPC D14/315, 318, 324, 328, 341, 344, 345,
D14/389, 392, 440, 444, 445, 446, 250;
D19/26, 62; D3/247, 290, 299, 206
CPC A45C 2011/002; A45C 2011/003; A45C
2200/15; A45F 2200/0516; A45F
2200/525; G06F 1/1628; G06F 1/1632;
G06F 1/1669; G06F 2200/1633; H04B
1/3888; H04M 1/185
See application file for complete search history.

(56) **References Cited**

U.S. PATENT DOCUMENTS

8,051,980 B2 * 11/2011 Tai H05K 5/0221
455/575.8
8,879,245 B2 * 11/2014 Kim H04B 1/3888
361/679.55
9,241,053 B2 * 1/2016 Ashley G06F 1/1626
D892,803 S * 8/2020 Armstrong D14/440
D896,214 S * 9/2020 Lee D14/250
D899,412 S * 10/2020 Lee D14/250

D910,004 S * 2/2021 Lee D14/250
D911,323 S * 2/2021 Kim D14/250
D931,846 S * 9/2021 Lee D14/250
11,121,735 B2 * 9/2021 Kim H04M 1/185
D943,565 S * 2/2022 Kim D14/250
2009/0186264 A1 * 7/2009 Huang H04B 1/3888
429/96
2014/0083997 A1 * 3/2014 Chen H02J 50/10
320/103
2015/0257285 A1 * 9/2015 Wilson H04B 1/3888
224/235
2017/0054833 A1 * 2/2017 Wong H04M 1/185
2022/0166456 A1 * 5/2022 Dannenberg H04B 1/3888

* cited by examiner

Primary Examiner — Marie D. Fast Horse

Assistant Examiner — Josiah D. Parsons

(74) *Attorney, Agent, or Firm* — Dunlap Bennett &
Ludwig, PLLC

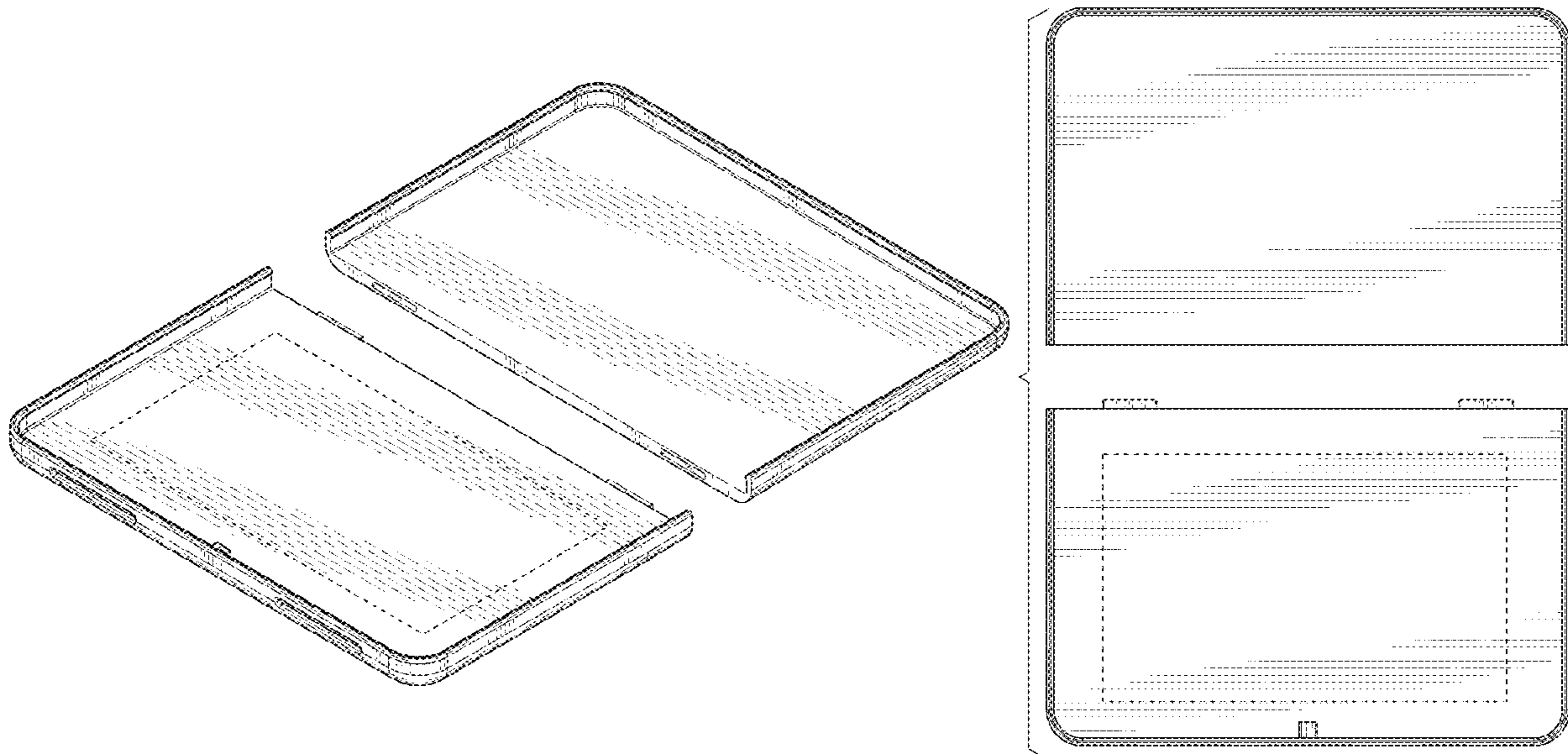
(57) **CLAIM**

The ornamental design for an electronics device case, as shown and described.

DESCRIPTION

FIG. 1 is an exploded top front right perspective view of the electronic device case, showing our new design; FIG. 2 is an exploded top plan view thereof; FIG. 3 is an exploded bottom plan view thereof; FIG. 4 is an exploded left side elevation view thereof; FIG. 5 is an exploded right side elevation view thereof; FIG. 6 is a front elevation view thereof; FIG. 7 is a rear elevation view thereof; and, FIG. 8 is another top front right perspective view thereof, showing the electronic device case assembled. The broken lines shown in the figures depict portions of the electronic device case that form no part of the claimed design.

1 Claim, 4 Drawing Sheets



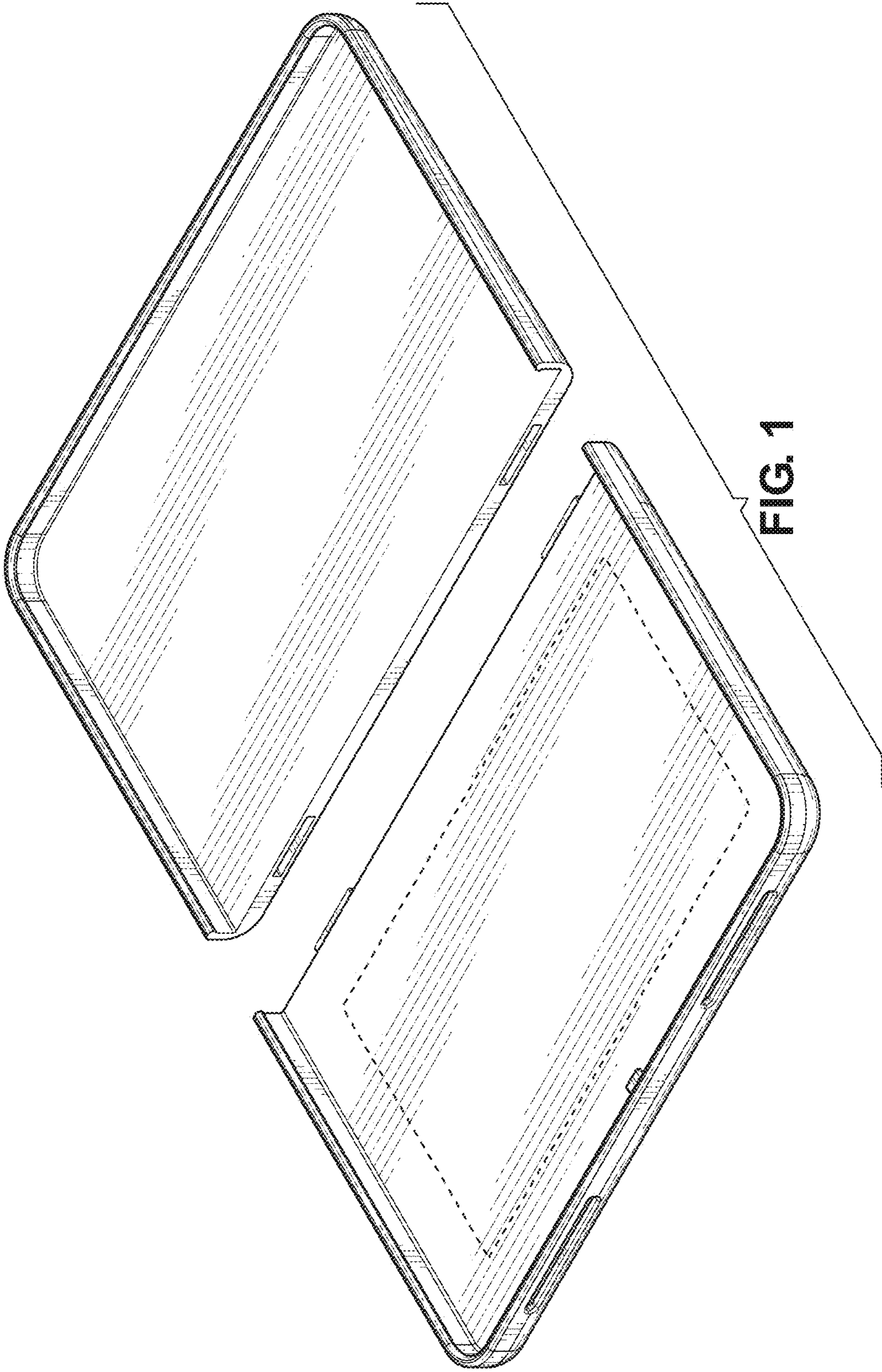


FIG. 1

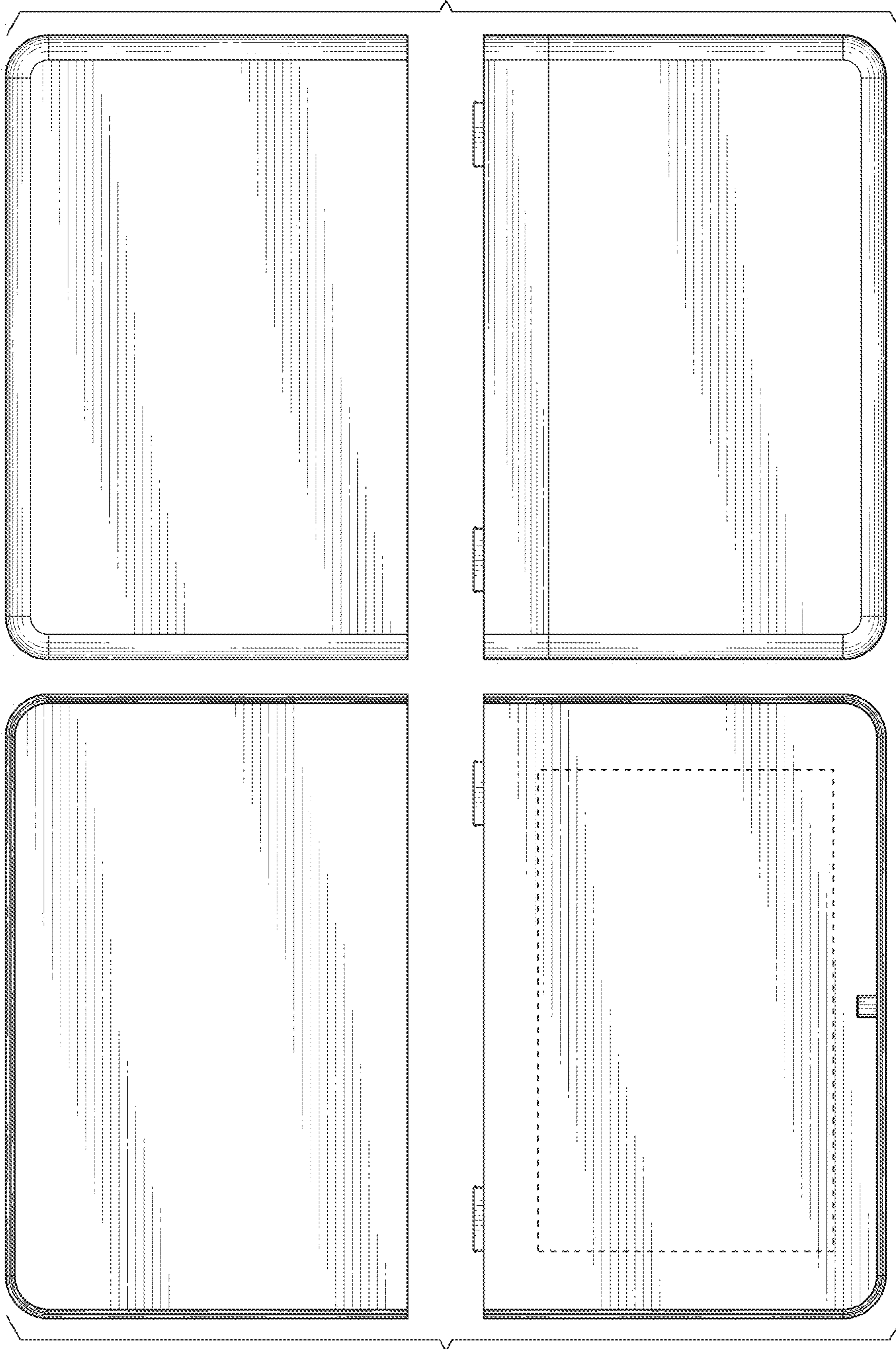


FIG. 3

FIG. 2

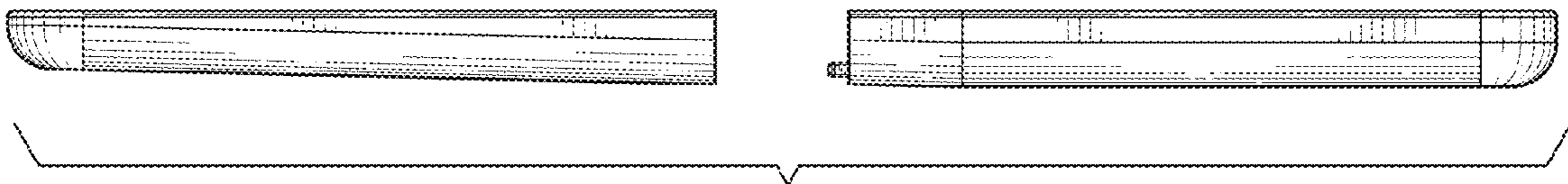


FIG. 4

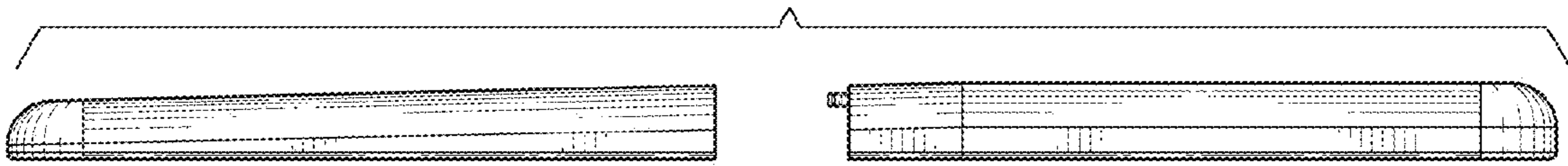


FIG. 5

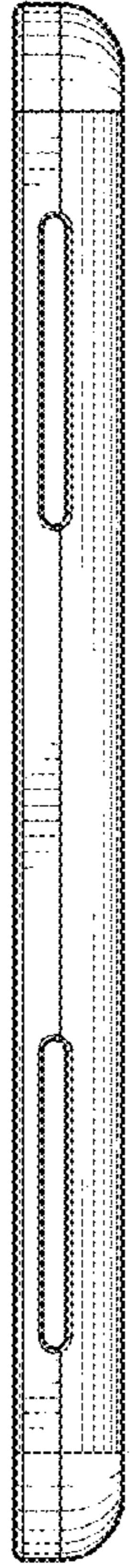


FIG. 6

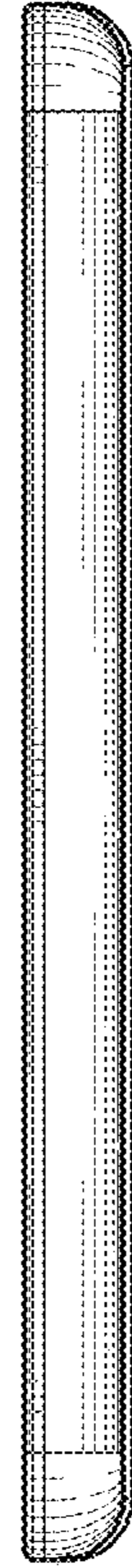


FIG. 7

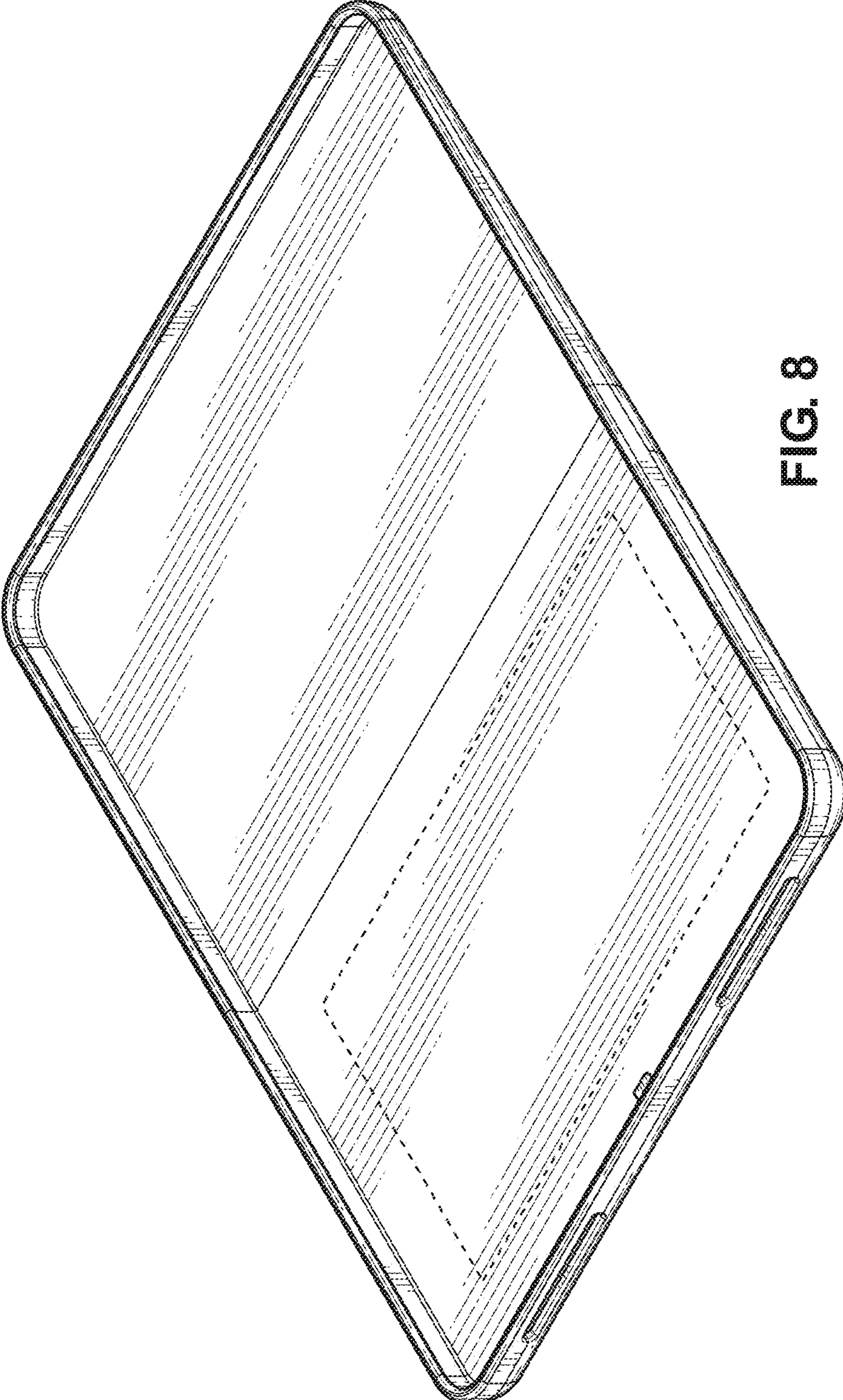


FIG. 8