



US00D989077S

(12) **United States Design Patent**
Cai

(10) **Patent No.:** **US D989,077 S**
(45) **Date of Patent:** **** Jun. 13, 2023**

(54) **TABLET KEYBOARD CASE**

FOREIGN PATENT DOCUMENTS

(71) Applicant: **Dongguan Kaishuo Electronic Technology Co., Ltd**, Guangdong (CN)

CN 202230071526.4 * 5/2022
CN 307603707 * 10/2022

(Continued)

(72) Inventor: **Jing Cai**, Guangdong (CN)

OTHER PUBLICATIONS

(73) Assignee: **Dongguan Kaishuo Electronic Technology Co., Ltd**, Dongguan (CN)

Magic Keyboard for 11-inch iPad Pro, posted Sep. 4, 2020 [online], [retrieved Oct. 18, 2022]. Retrieved from internet, <https://www.amazon.com/Magic-Keyboard-11-inch-Pro-Generation/dp/B08HJHKCNM> (Year: 2020).*

(**) Term: **15 Years**

(Continued)

(21) Appl. No.: **29/782,654**

Primary Examiner — Marie D. Fast Horse

(22) Filed: **May 7, 2021**

Assistant Examiner — Josiah D. Parsons

(51) **LOC (14) Cl.** **14-02**

(57) **CLAIM**

(52) **U.S. Cl.**

The ornamental design for a tablet keyboard case, as shown and described.

USPC **D14/440**

(58) **Field of Classification Search**

DESCRIPTION

USPC D14/315, 318, 324, 328, 341, 344, 345, D14/389, 392, 440, 444, 445, 446, 250; D19/26, 62; D3/247, 290, 299, 206
CPC A45C 2011/002; A45C 2011/003; A45C 2200/15; A45F 2200/0516; A45F 2200/525; G06F 1/1628; G06F 1/1632; G06F 1/1669; G06F 2200/1633; H04B 1/3888; H04M 1/185

See application file for complete search history.

FIG. 1 is a perspective view of a tablet keyboard case showing my new design;
FIG. 2 is another perspective view thereof;
FIG. 3 is a front elevation view thereof;
FIG. 4 is a rear elevation view thereof;
FIG. 5 is a left elevation view thereof;
FIG. 6 is a right elevation view thereof;
FIG. 7 is a top plan view thereof;
FIG. 8 is a bottom plan view thereof;
FIG. 9 is a reference view thereof, showing the article in use;
FIG. 10 is a front perspective view in a closed position thereof; and,
FIG. 11 is a rear perspective view in a closed position thereof.

(56) **References Cited**

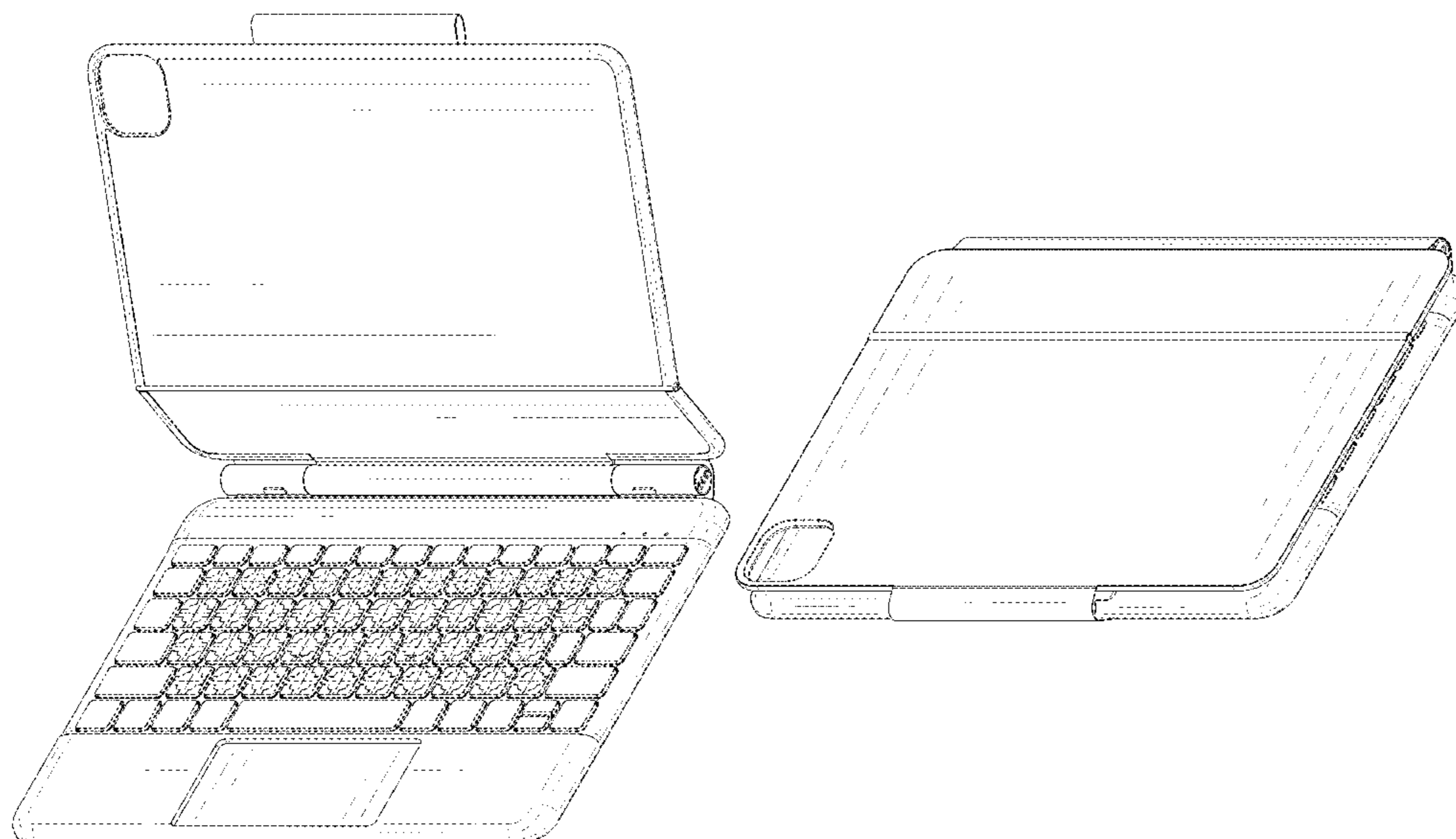
U.S. PATENT DOCUMENTS

8,230,992 B2 * 7/2012 Law G06F 1/1626 248/176.1
8,467,186 B2 * 6/2013 Zelif G06F 1/1632 345/169
D720,748 S * 1/2015 Groene D14/392
D741,317 S * 10/2015 Kang D14/315
9,241,053 B2 * 1/2016 Ashley G06F 1/1626

The additional broken lines seen in FIG. 9 showing the tablet and the stylus depict unclaimed environmental subject matter only and form no part of the claim, while all other broken lines depict portions of the tablet keyboard case that form no part of the claimed design.

(Continued)

1 Claim, 11 Drawing Sheets



(56)

References Cited

U.S. PATENT DOCUMENTS

9,634,711 B2 * 4/2017 Sirichai A45C 11/00
9,785,198 B2 * 10/2017 Grinstead G06F 1/1683
9,851,748 B2 * 12/2017 Senatori G06F 1/1679
D811,390 S * 2/2018 Kim D14/345
D874,456 S * 2/2020 Sharma G06F 1/1683
D14/318
10,664,012 B1 * 5/2020 Zimmerman H04M 1/04
D887,416 S * 6/2020 Wu D14/440
D892,128 S * 8/2020 Chen D14/440
D897,346 S * 9/2020 Claudepierre D14/440
D924,244 S * 7/2021 Akana D14/440
D942,460 S * 2/2022 Akana D14/440
D942,975 S * 2/2022 Huang D14/316
D944,257 S * 2/2022 Akana D14/440
11,493,960 B2 * 11/2022 Moon G06F 1/1626
2009/0322790 A1 * 12/2009 Behar G06F 1/1677
715/810
2012/0140396 A1 * 6/2012 Zelif G06F 1/1628
361/679.09
2012/0262866 A1 * 10/2012 Marshall F16M 11/105
361/679.08
2014/0071606 A1 * 3/2014 Bates G06F 1/1669
361/679.09
2014/0071654 A1 * 3/2014 Chien H01H 13/704
362/23.03

2014/0169853 A1 * 6/2014 Sharma G06F 3/0202
400/481
2015/0296068 A1 * 10/2015 Chin G06F 1/1626
455/575.8
2018/0107253 A1 * 4/2018 Landwehr G06F 1/1681
2020/0301480 A1 * 9/2020 Miller E05D 11/00
2021/0278881 A1 * 9/2021 Atom G06F 1/1637
2022/0413547 A1 * 12/2022 Sung H02J 50/10

FOREIGN PATENT DOCUMENTS

EM 001452031-0001 * 8/2015
KR 301190538.0000 * 11/2022

OTHER PUBLICATIONS

ESR Rebound Magnetic Keyboard Case, posted Dec. 7, 2021 [online], [retrieved Oct. 18, 2022]. Retrieved from internet, <https://www.amazon.com/ESR-Compatible-Cantilever-Precision-Multi-Touch/dp/B09N744Y4C?th=1> (Year: 2021).*

IPad Bluetooth Magnetic Magic Keyboard Case with Touchpad, posted Jun. 18, 2021 [online], [retrieved Oct. 18, 2022]. Retrieved from internet, <https://www.amazon.in/Bluetooth-Brightness-Cantilever-Protection-Pro/dp/B097K4M98N?th=1> (Year: 2021).*

* cited by examiner

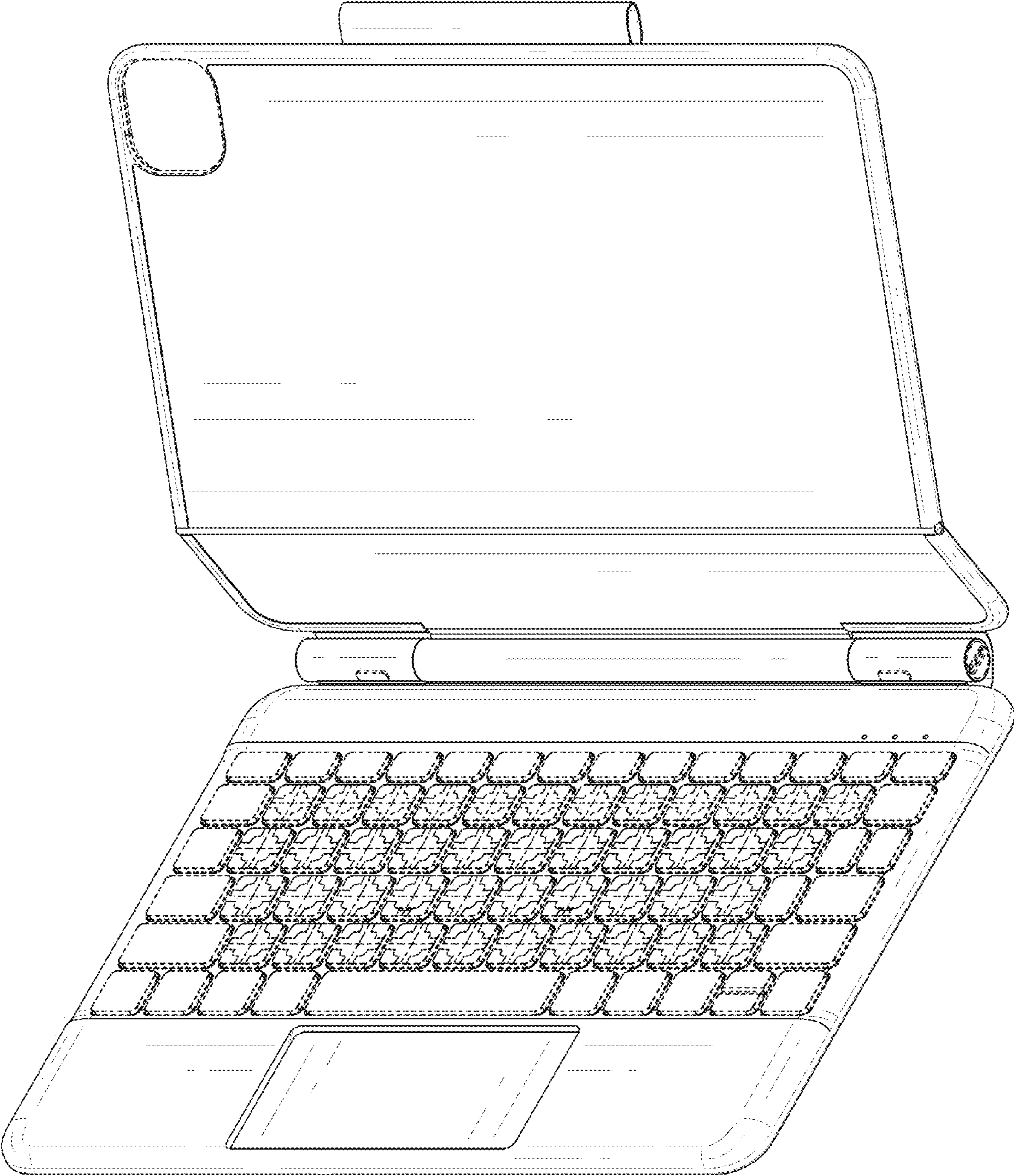


FIG.1

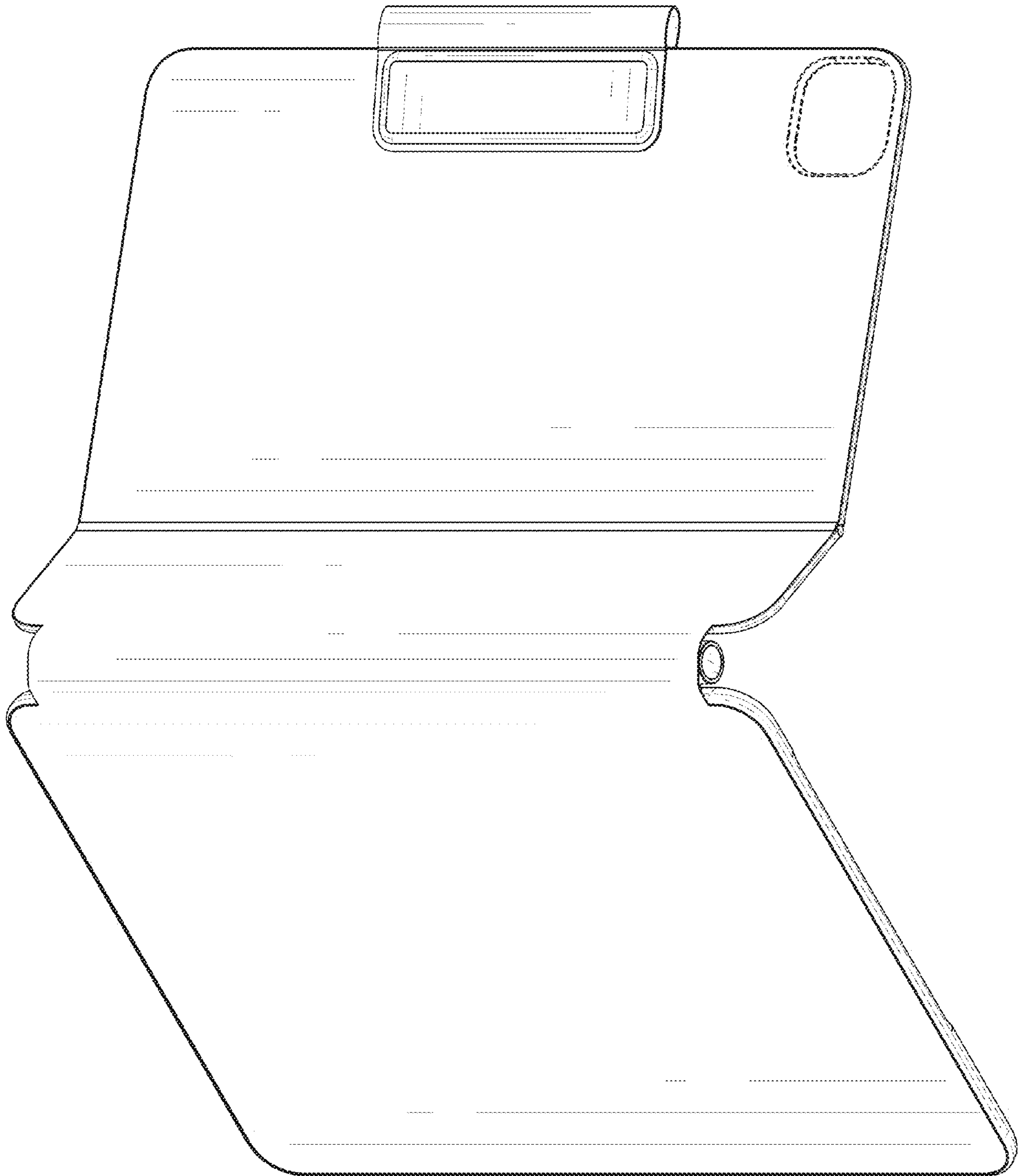


FIG. 2

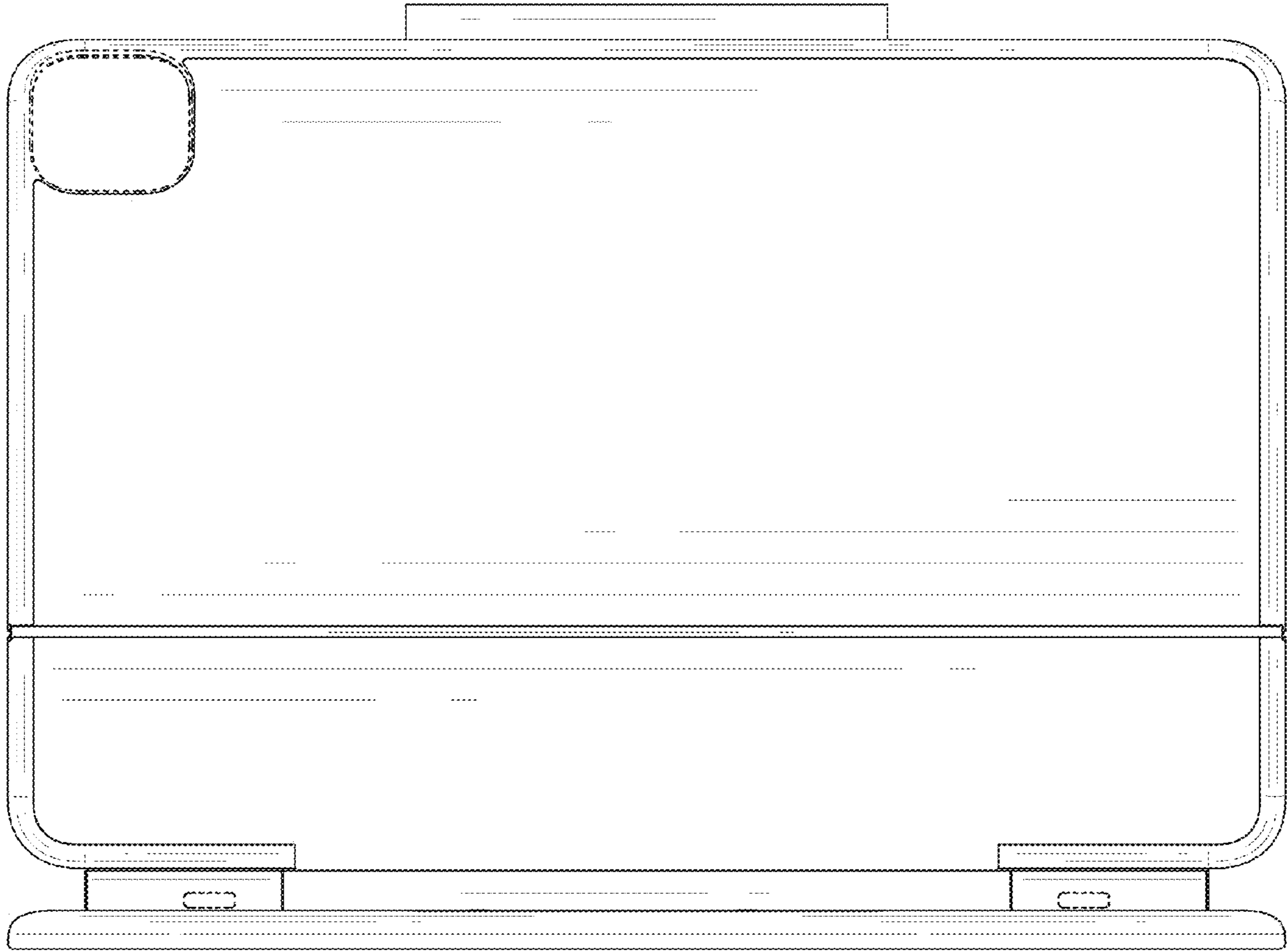


FIG.3

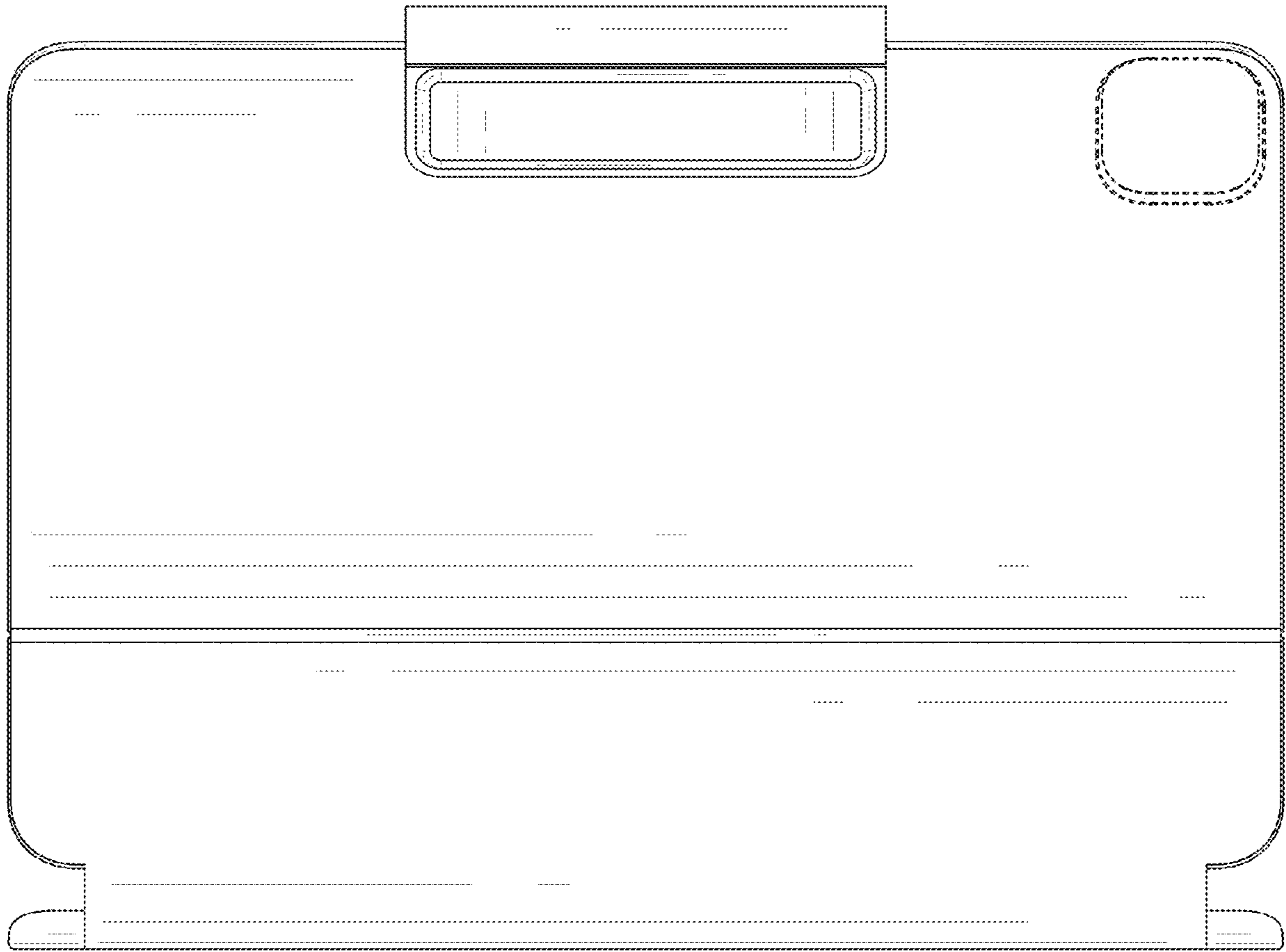


FIG.4

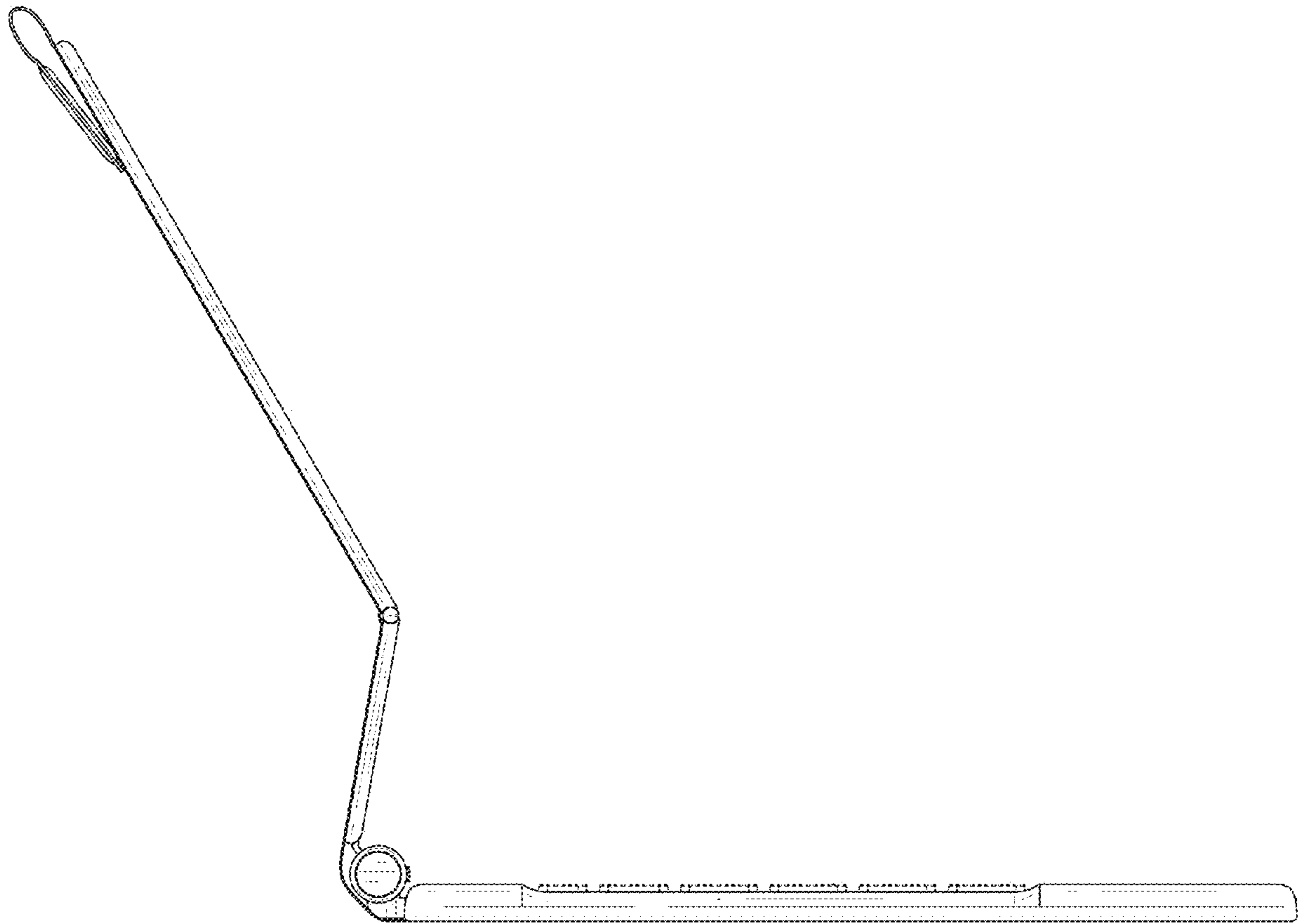


FIG.5

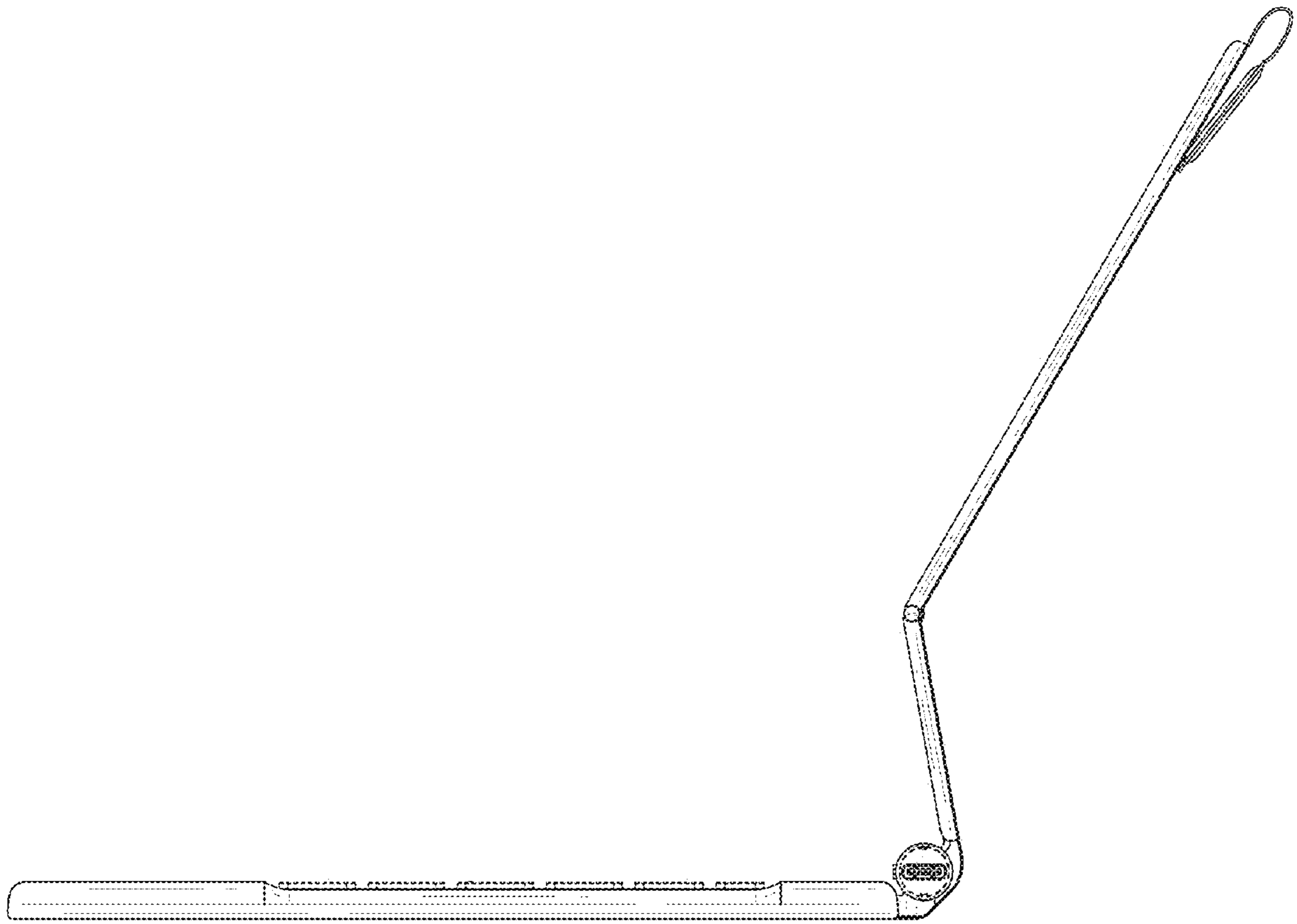


FIG.6

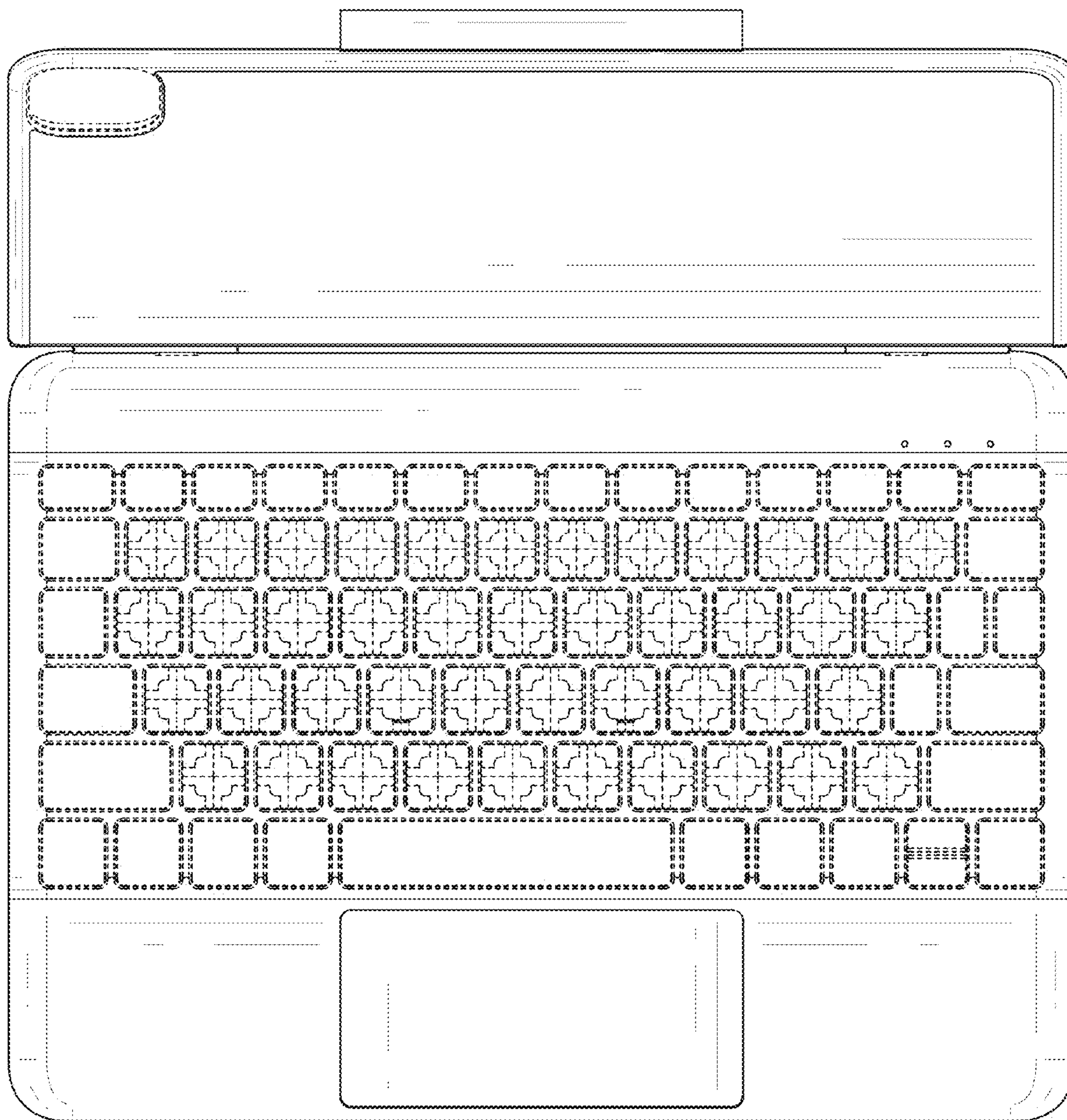


FIG.7

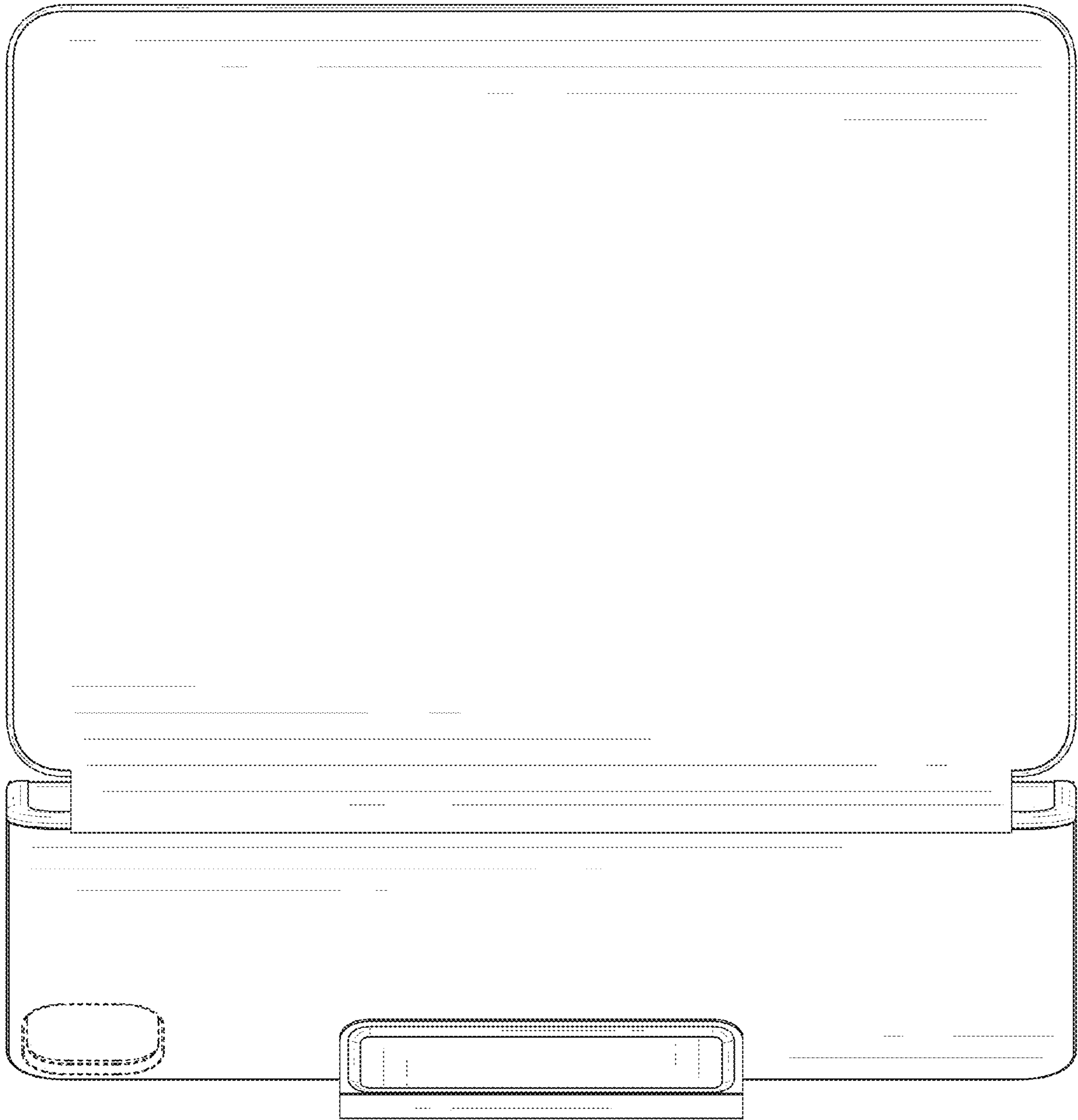


FIG.8

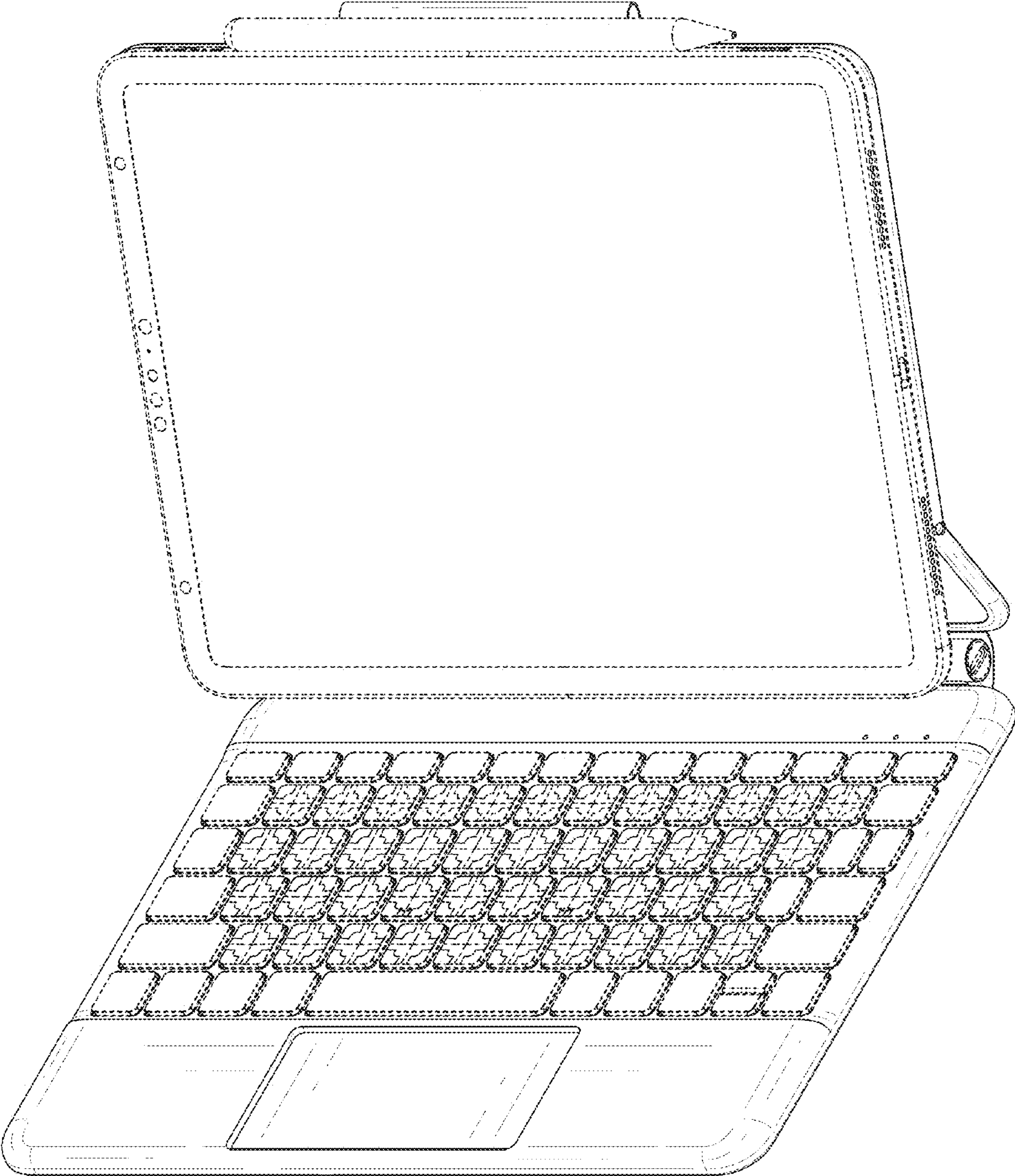


FIG.9

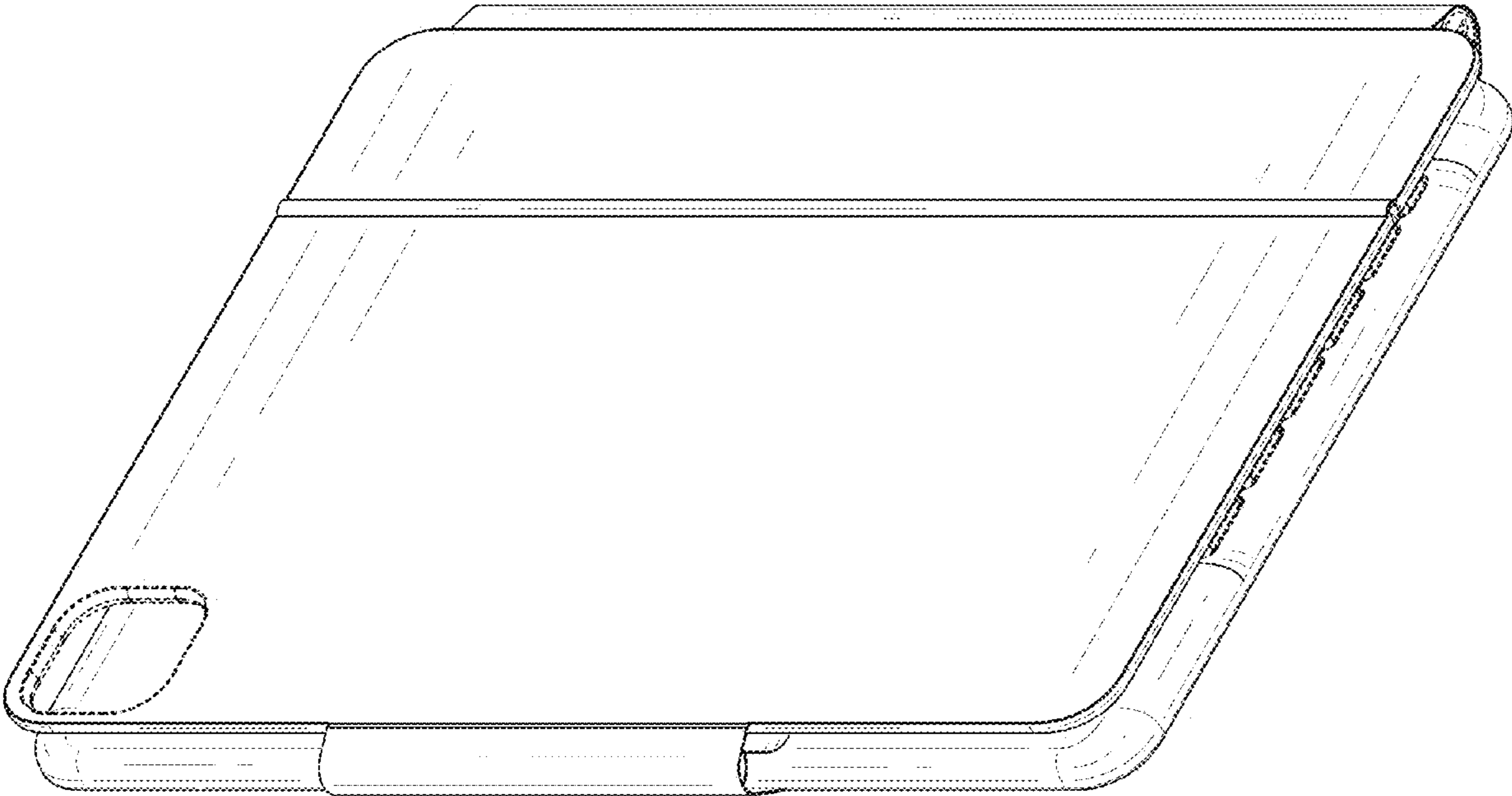


FIG.10

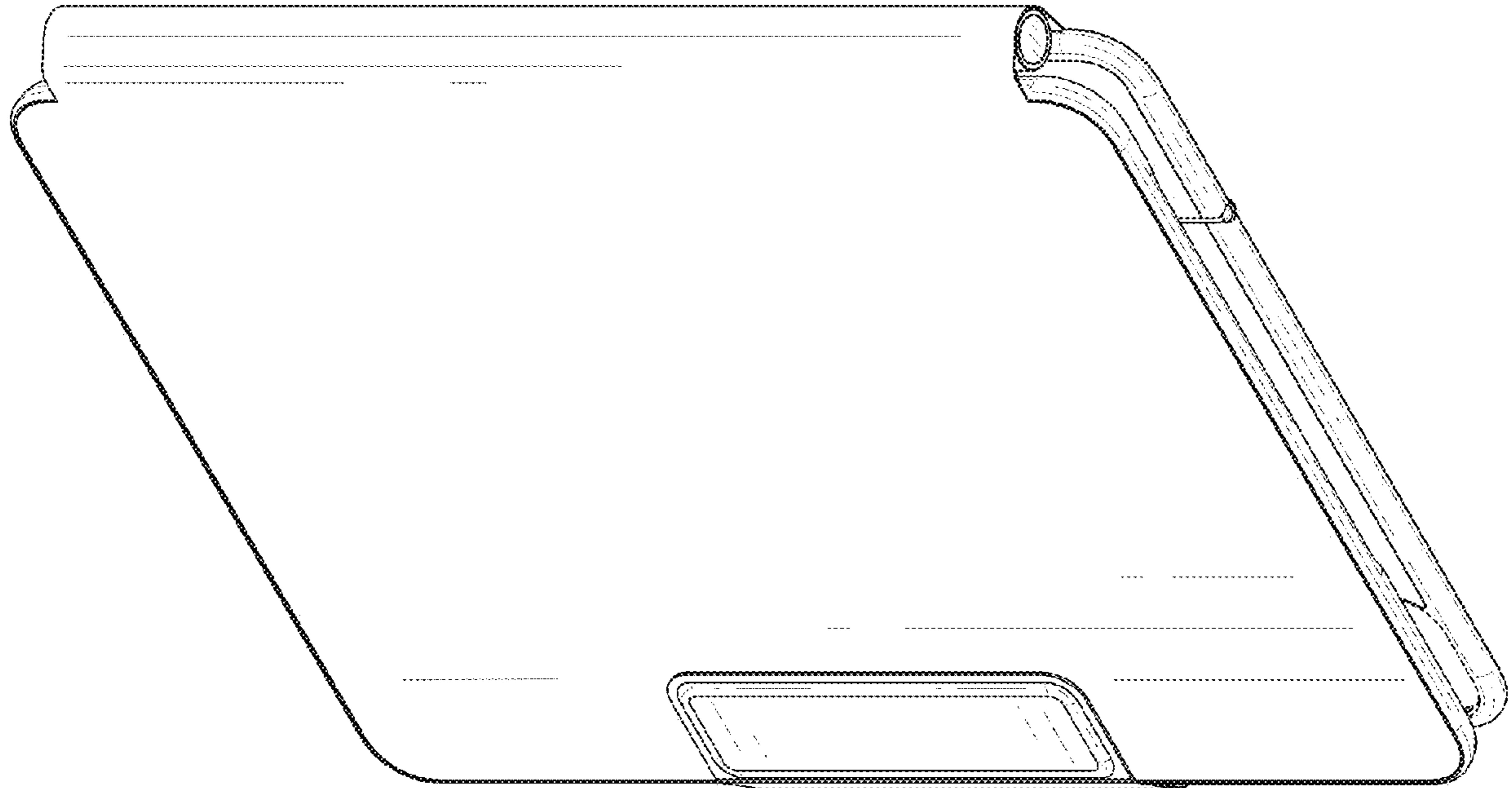


FIG.11