



US00D989075S

(12) **United States Design Patent**
Murray et al.

(10) **Patent No.:** **US D989,075 S**
(45) **Date of Patent:** **** Jun. 13, 2023**

(54) **DEVICE FOR ILLUMINATION AND IMAGING OF A TARGET**

(71) Applicant: **Stryker European Operations Limited**, Carrigtwohill (IE)

(72) Inventors: **Gavin Michael Murray**, Vancouver (CA); **Gregory Vincent Browne**, Vancouver (CA); **James Elliott Cameron**, Victoria (CA)

(73) Assignee: **Stryker European Operations Limited**, Carrigtwohill (IE)

(**) Term: **15 Years**

(21) Appl. No.: **29/678,142**

(22) Filed: **Jan. 25, 2019**

Related U.S. Application Data

(62) Division of application No. 29/588,898, filed on Dec. 23, 2016, now Pat. No. Des. 844,005.

(51) **LOC (14) Cl.** **14-02**

(52) **U.S. Cl.**
USPC **D14/428**; D24/186

(58) **Field of Classification Search**
USPC D14/240, 341, 346, 347, 388, 420, 422, D14/426-430, 447, 451, 453, 454; D24/137, 138, 158, 180, 186, 209; D13/107, 184
CPC A47B 21/04; A47B 2097/006; A47B 2097/005; A47B 2023/049; A45C 2011/002; A45C 2011/003; F16M 2200/00; F16M 13/00; H02J 7/0044; G06K 7/10; G06K 7/10821; A45F 5/00
See application file for complete search history.

(56) **References Cited**

U.S. PATENT DOCUMENTS

D331,576 S * 12/1992 Yamanaka D14/428
D346,921 S 5/1994 Stallsmith

D362,435 S 9/1995 Charych et al.
D374,440 S * 10/1996 Kanno D14/428
D446,524 S 8/2001 Bontly et al.
D456,809 S 5/2002 Schieffers
D459,728 S * 7/2002 Roberts D14/428
D470,497 S * 2/2003 Byun D14/428
D483,668 S 12/2003 Le Roux
D524,985 S 7/2006 Lukan et al.

(Continued)

OTHER PUBLICATIONS

Murray et al., U.S. Notice of Allowance and Fee(s) due dated Jul. 13, 2020, directed to U.S. Appl. No. 29/562,795; 7 pages.

(Continued)

Primary Examiner — Keli L Hill

(74) *Attorney, Agent, or Firm* — Morrison & Foerster LLP

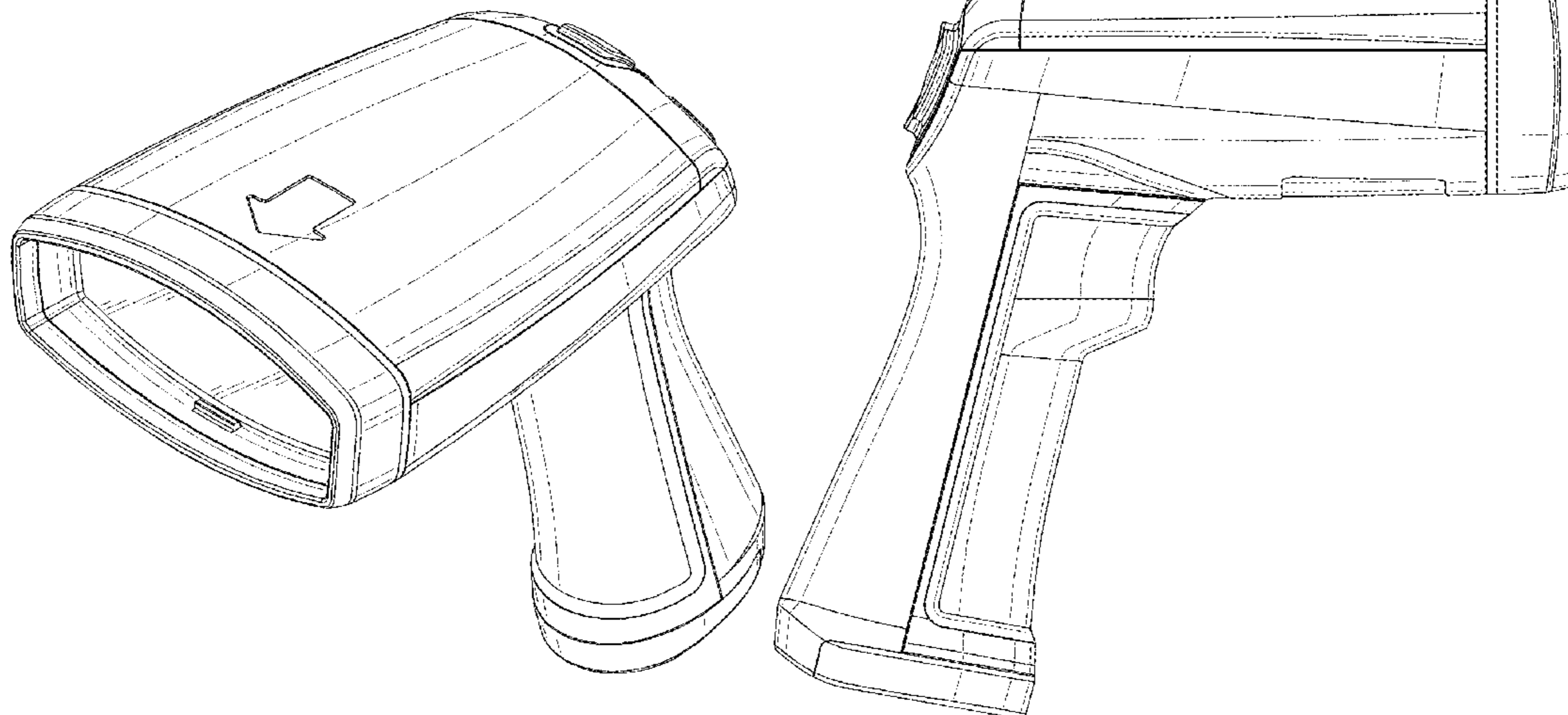
(57) **CLAIM**

We claim the ornamental design for a device for illumination and imaging of a target, as shown and described.

DESCRIPTION

FIG. 1 is a front and side perspective view of a device for illumination and imaging of a target showing our new design;
FIG. 2 is a front elevation view thereof;
FIG. 3 is a rear elevation view thereof;
FIG. 4 is a side elevation view thereof;
FIG. 5 is a side elevation view of the opposite side of FIG. 4;
FIG. 6 is a top plan view thereof; and,
FIG. 7 is a bottom plan view thereof.
The broken lines shown in the drawings illustrate portions of the device for illumination and imaging of a target that form no part of the claimed design.

1 Claim, 7 Drawing Sheets



(56)

References Cited

U.S. PATENT DOCUMENTS

D524,987 S 7/2006 Lukan et al.
 D542,802 S ‡ 5/2007 Woodcock D14/426
 D556,761 S ‡ 12/2007 MacGregor D14/428
 D558,206 S ‡ 12/2007 Watanabe D14/428
 D562,825 S ‡ 2/2008 Fitch D14/426
 D566,713 S ‡ 4/2008 Ah D14/426
 D567,649 S 4/2008 Borkowski et al.
 D570,843 S ‡ 6/2008 Mazzone D14/426
 D574,832 S ‡ 8/2008 MacGregor D14/428
 D588,596 S ‡ 3/2009 Mazzone D14/426
 D599,799 S ‡ 9/2009 Di Bari D14/428
 D603,408 S ‡ 11/2009 Fitch D14/426
 D606,076 S ‡ 12/2009 Di Bari D14/428
 D606,544 S ‡ 12/2009 Di Bari D14/426
 D614,625 S ‡ 4/2010 Fitch D14/426
 7,748,629 B2 ‡ 7/2010 Brock G06K 7/10801
 7,823,789 B2 ‡ 11/2010 Nunnink G06K 7/10732
 235/462.11
 D646,315 S 10/2011 Orf
 D653,811 S 2/2012 BenZion
 8,157,177 B1 ‡ 4/2012 O'Donnell G06K 7/10386
 235/462.21
 8,167,209 B2 ‡ 5/2012 Joseph G06K 7/10722
 235/462.11
 8,186,592 B2 ‡ 5/2012 Fletcher F16M 11/10
 235/454
 8,282,006 B2 ‡ 10/2012 Longacre, Jr. G06K 7/10712
 235/462.01
 D677,258 S ‡ 3/2013 Mistkawi D14/426
 D682,277 S ‡ 5/2013 Tasselli D14/426
 D692,004 S 10/2013 Man
 D692,576 S 10/2013 Steinman et al.
 D692,892 S 11/2013 Mistkawi
 D693,802 S 11/2013 Wikel
 D719,574 S ‡ 12/2014 Alegiani D14/426
 D723,563 S ‡ 3/2015 Alegiani D14/426
 D723,564 S ‡ 3/2015 Lim D14/428
 D726,186 S ‡ 4/2015 Jenkins D14/426
 D734,339 S ‡ 7/2015 Zhou D14/428
 D742,509 S 11/2015 Anderson
 D749,598 S 2/2016 Ray et al.
 D764,565 S 8/2016 Tekunoff et al.
 D782,901 S 4/2017 Richter
 9,610,021 B2 ‡ 4/2017 Dvorsky A61B 5/0059
 D791,137 S ‡ 7/2017 Wang D14/428
 D808,076 S ‡ 1/2018 Gabriele D28/44.1
 D813,400 S ‡ 3/2018 Bechtel D24/186
 D815,928 S 4/2018 Rummel et al.
 10,025,091 B2 ‡ 7/2018 Dahmen G02B 27/0006
 D826,234 S ‡ 8/2018 Zhou D14/428
 D834,583 S 11/2018 Janzen et al.
 D835,284 S 12/2018 Barker et al.
 D835,285 S 12/2018 Barker et al.
 D844,005 S * 3/2019 Murray D14/428
 D916,294 S 4/2021 Murray et al.
 D919,810 S 5/2021 Murray et al.
 D919,811 S 5/2021 Murray et al.
 D919,812 S 5/2021 Murray et al.
 2001/0045466 A1 ‡ 11/2001 Bontly G06K 7/10881
 235/472.01

2002/0148902 A1 ‡ 10/2002 Schlieffers G06K 7/10881
 235/472.01
 2003/0226895 A1 ‡ 12/2003 Havens G06K 7/10584
 235/462.22
 2004/0020990 A1 ‡ 2/2004 Havens G06K 7/10574
 235/472.01
 2004/0134990 A1 ‡ 7/2004 Fitch G06K 7/10881
 235/472.01
 2006/0082871 A1 ‡ 4/2006 Bolland G02B 7/182
 359/402
 2008/0217411 A1 ‡ 9/2008 Ledwith G06K 7/10881
 235/472.02
 2009/0218405 A1 ‡ 9/2009 Joseph G06K 7/10732
 235/462.42
 2010/0308116 A1 ‡ 12/2010 Sani A45C 11/00
 235/472.01
 2010/0321501 A1 ‡ 12/2010 Arndt H04N 5/2252
 348/162
 2011/0024506 A1 ‡ 2/2011 Nunnink G06K 7/10732
 235/472.01
 2011/0037844 A1 ‡ 2/2011 Johnson A61N 5/0613
 348/77
 2011/0073658 A1 3/2011 Vassura et al.
 2011/0290889 A1 ‡ 12/2011 Tamburrini G06K 7/10881
 235/470
 2012/0006897 A1 1/2012 Barkan et al.
 2012/0256002 A1 ‡ 10/2012 O'Donnell G06K 7/10386
 235/472.01
 2012/0319645 A1 ‡ 12/2012 O'Donnell H02J 7/025
 320/108
 2013/0008964 A1 ‡ 1/2013 Hawley G06K 7/10851
 235/472.01
 2013/0321638 A1 ‡ 12/2013 Stratmann G06T 3/4061
 348/162
 2015/0381909 A1 ‡ 12/2015 Butte H04N 5/332
 348/68
 2018/0234603 A1 ‡ 8/2018 Moore A61B 1/043

OTHER PUBLICATIONS

Murray et al., U.S. Notice of Allowance and Fee(s) Due dated Oct. 25, 2018, directed to U.S. Appl. No. 29/588,898; 14 pages.
 Murray et al., U.S. Notice of Allowance and Fee(s) dated Jan. 19, 2021, directed to U.S. Appl. No. 29/724,647; 6 pages.
 Murray et al., U.S. Ex Parte Quayle Action dated Jul. 23, 2020, directed to U.S. Appl. No. 29/724,647; 5 pages.
 Murray et al., U.S. Notice of Allowance dated Jan. 13, 2021, directed to U.S. Appl. No. 29/724,650; 6 pages.
 Murray et al., U.S. Ex Parte Quayle Action dated Jul. 23, 2020, directed to U.S. Appl. No. 29/724,650; 5 pages.
 Murray et al., U.S. Notice of Allowance dated Jan. 19, 2021, directed to U.S. Appl. No. 29/724,651; 6 pages.
 Murray et al., U.S. Ex Parte Quayle Action dated Jul. 23, 2020, directed to U.S. Appl. No. 29/724,651; 5 pages.
 Murray et al., U.S. Restriction Requirement dated Feb. 7, 2019, directed to U.S. Appl. No. 29/562,795; 7 pages.
 Murray et al., U.S. Office Action dated Sep. 27, 2019, directed to U.S. Appl. No. 29/562,795; 9 pages.

* cited by examiner

‡ imported from a related application

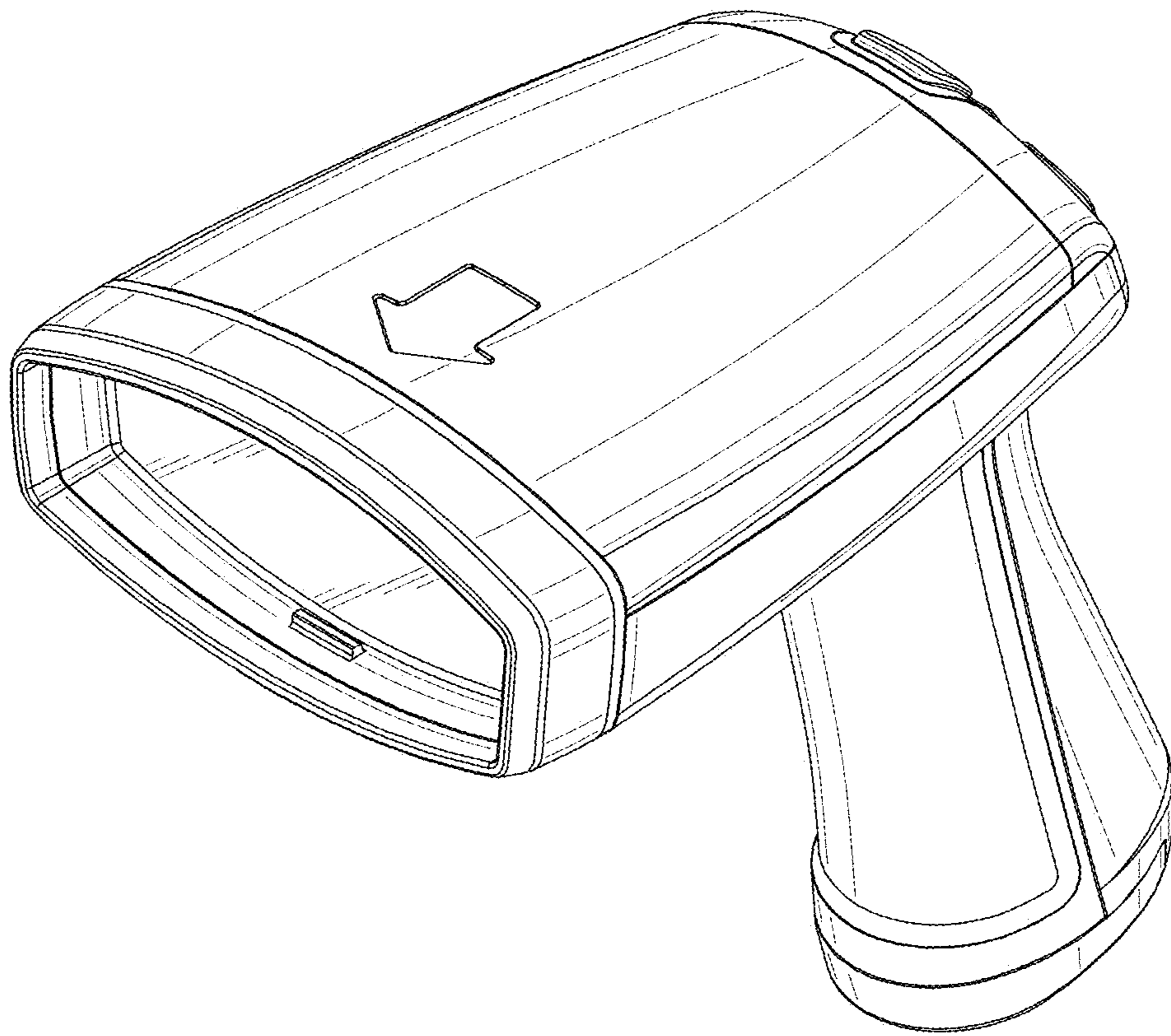


FIG. 1

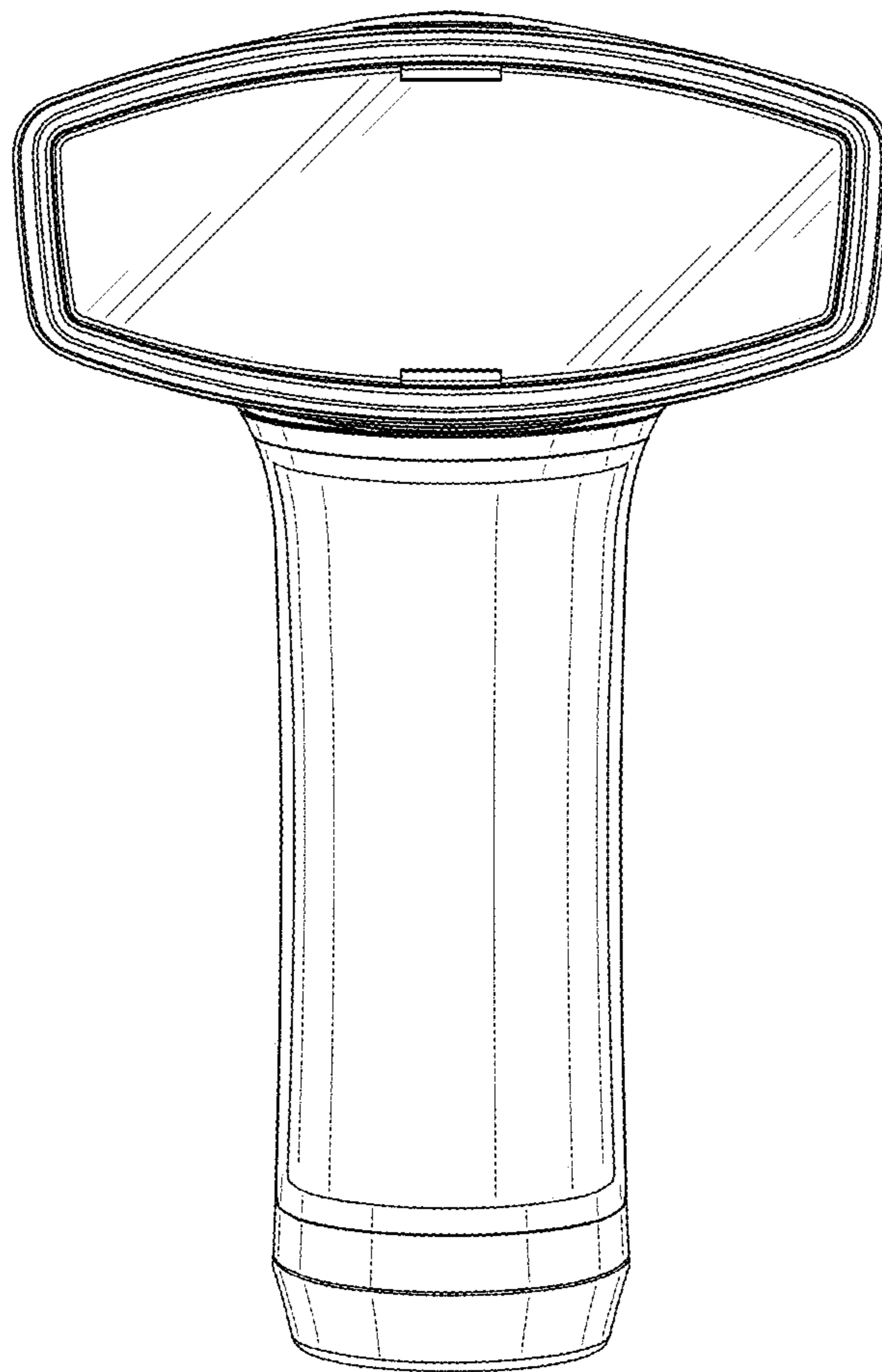


FIG. 2

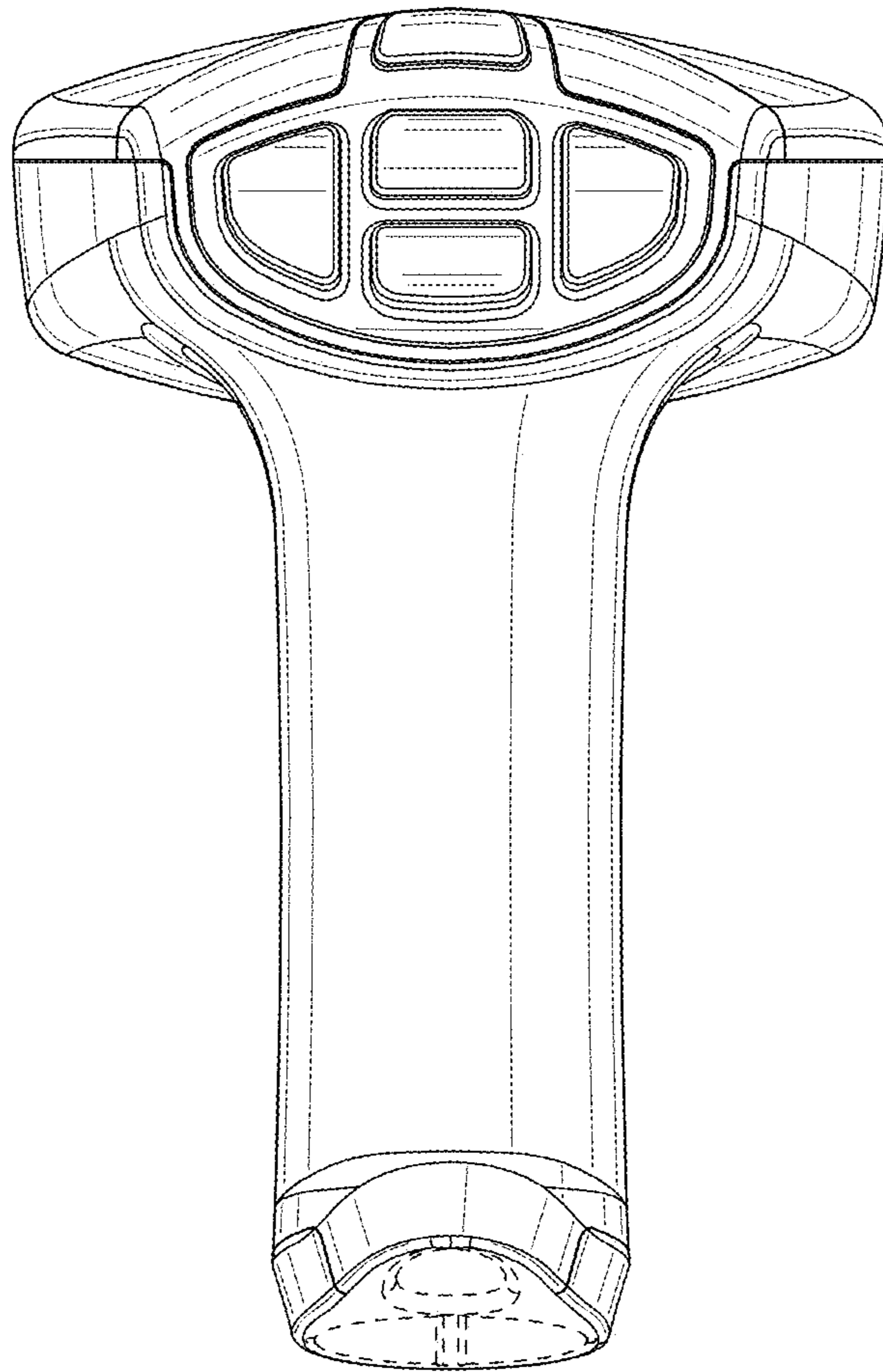


FIG. 3

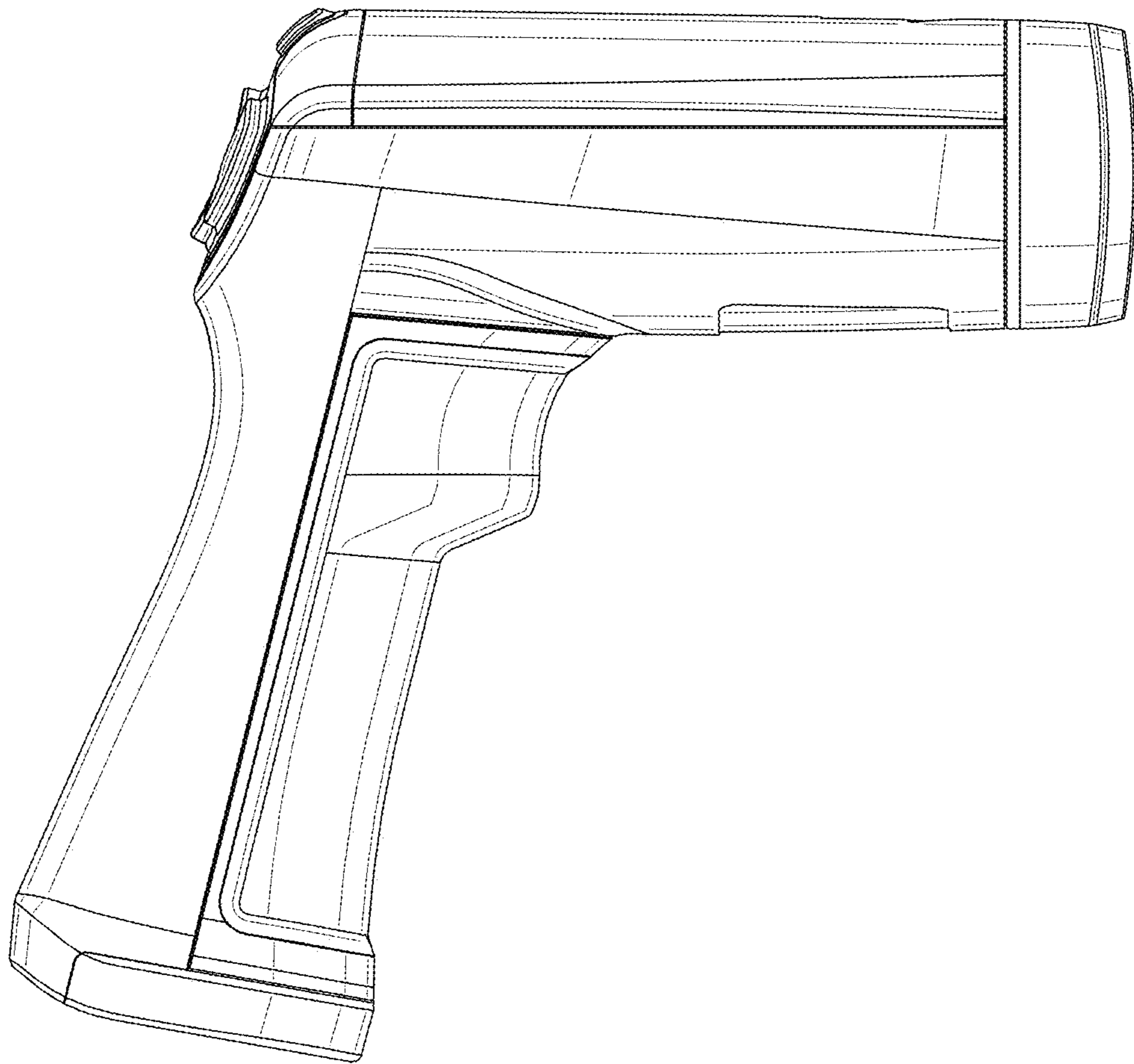


FIG. 4

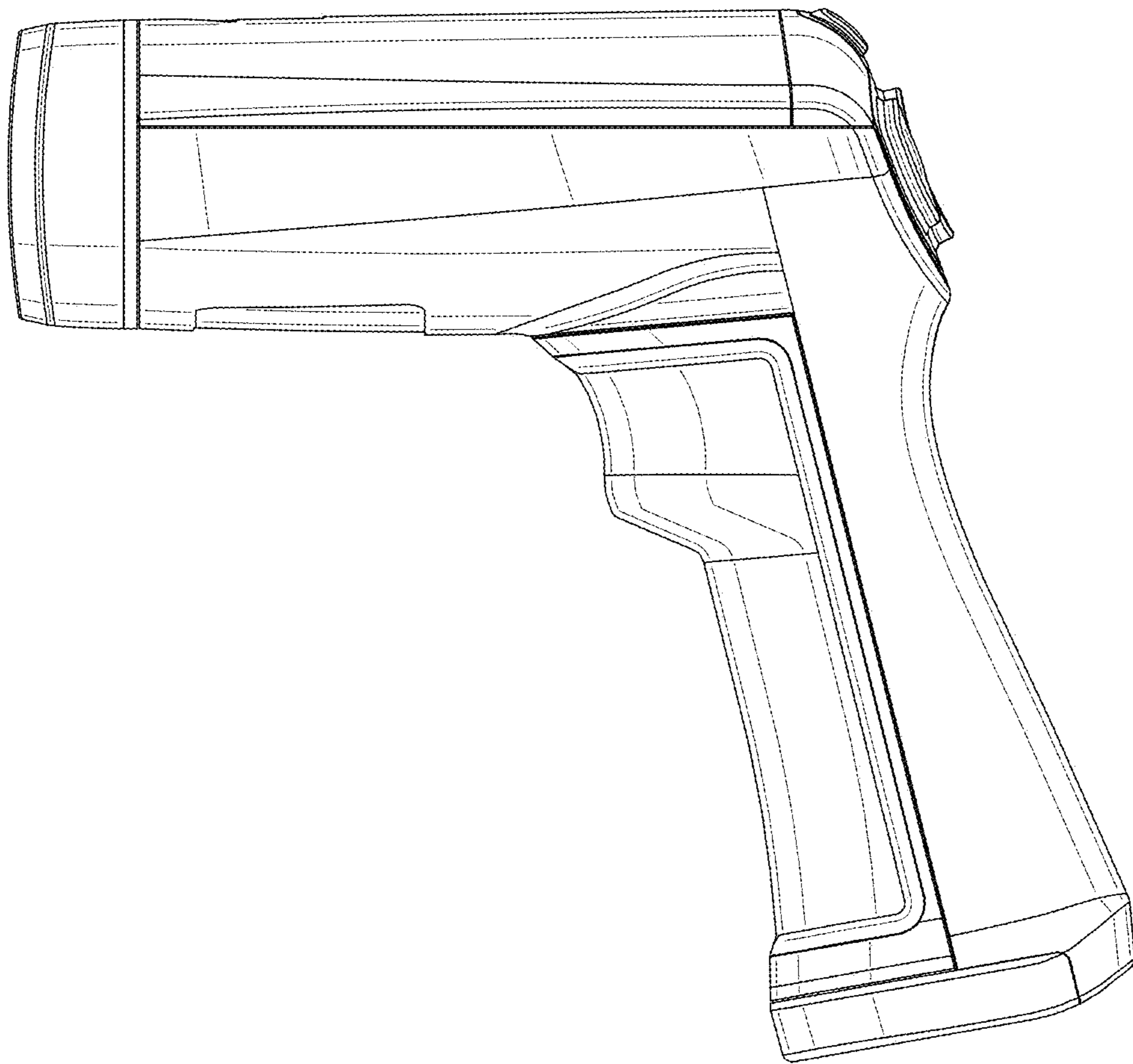


FIG. 5

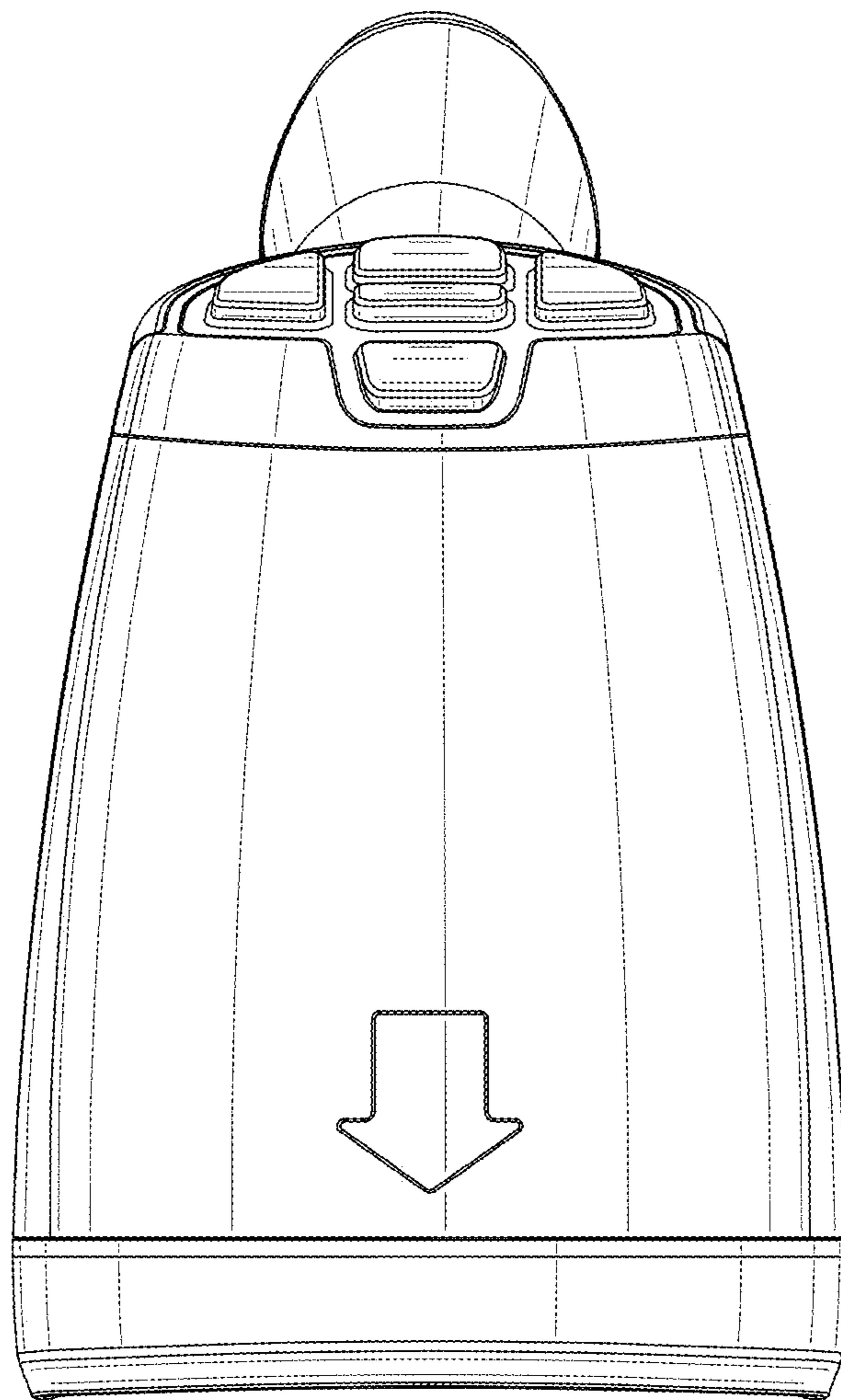


FIG. 6

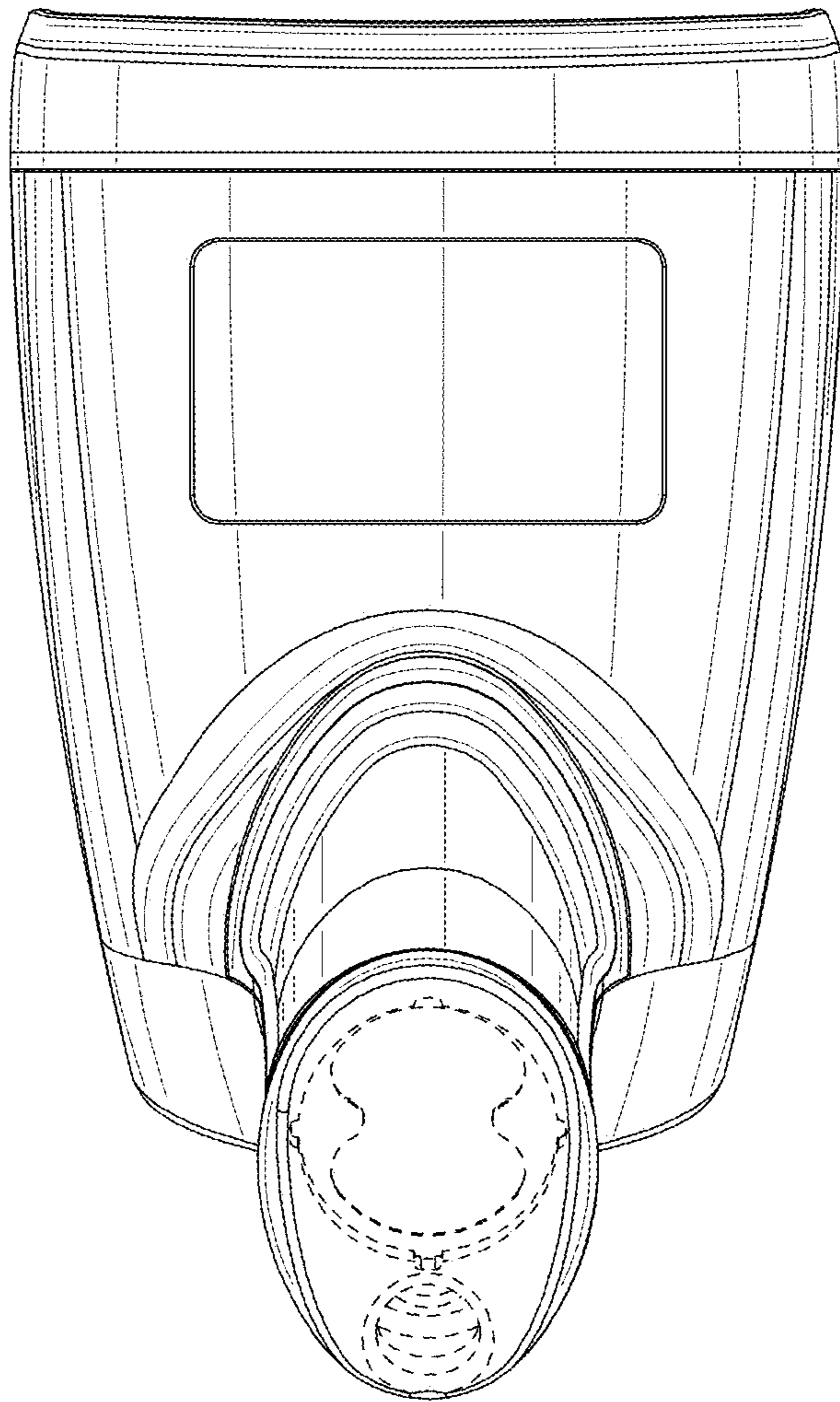


FIG. 7