



US00D989074S

(12) **United States Design Patent**
Selling et al.

(10) **Patent No.:** **US D989,074 S**
(45) **Date of Patent:** **** Jun. 13, 2023**

(54) **STYLUS TETHER**

(71) Applicant: **ZoopLoop LLC**, South Pasadena, CA (US)

(72) Inventors: **Sheri Selling**, South Pasadena, CA (US); **Carolita Blythe**, South Pasadena, CA (US)

(73) Assignee: **Zooploop, LLC**, South Pasadena, CA (US)

(**) Term: **15 Years**

(21) Appl. No.: **29/788,989**

(22) Filed: **Aug. 23, 2021**

(51) **LOC (14) Cl.** **14-02**

(52) **U.S. Cl.**
USPC **D14/432; D14/411**

(58) **Field of Classification Search**
USPC D8/61; D14/411; D19/35, 36, 41-51, D19/54-58, 81, 84; 401/55, 99, 100, 401/104-107, 196, 197, 202, 208, 209, 401/213, 192, 195, 243; 708/107; 345/179, 173; 24/3.7, 3.8, 11 CC
See application file for complete search history.

(56) **References Cited**

U.S. PATENT DOCUMENTS

4,927,986 A * 5/1990 Daly G06F 1/1626
178/19.01
5,180,891 A * 1/1993 Trumbo B43M 99/008
178/19.01

D723,036 S * 2/2015 Longo D14/411
D830,368 S * 10/2018 Zhang D14/440
D832,256 S * 10/2018 King D19/81
10,411,748 B1 * 9/2019 Lucente H04M 1/04
D980,220 S * 3/2023 Lee D14/411
2013/0292530 A1 * 11/2013 Dang G06F 1/1656
248/229.2
2015/0022503 A1 * 1/2015 Chang B43K 23/12
345/179

* cited by examiner

Primary Examiner — Austin Murphy

(74) *Attorney, Agent, or Firm* — Gregory Wood

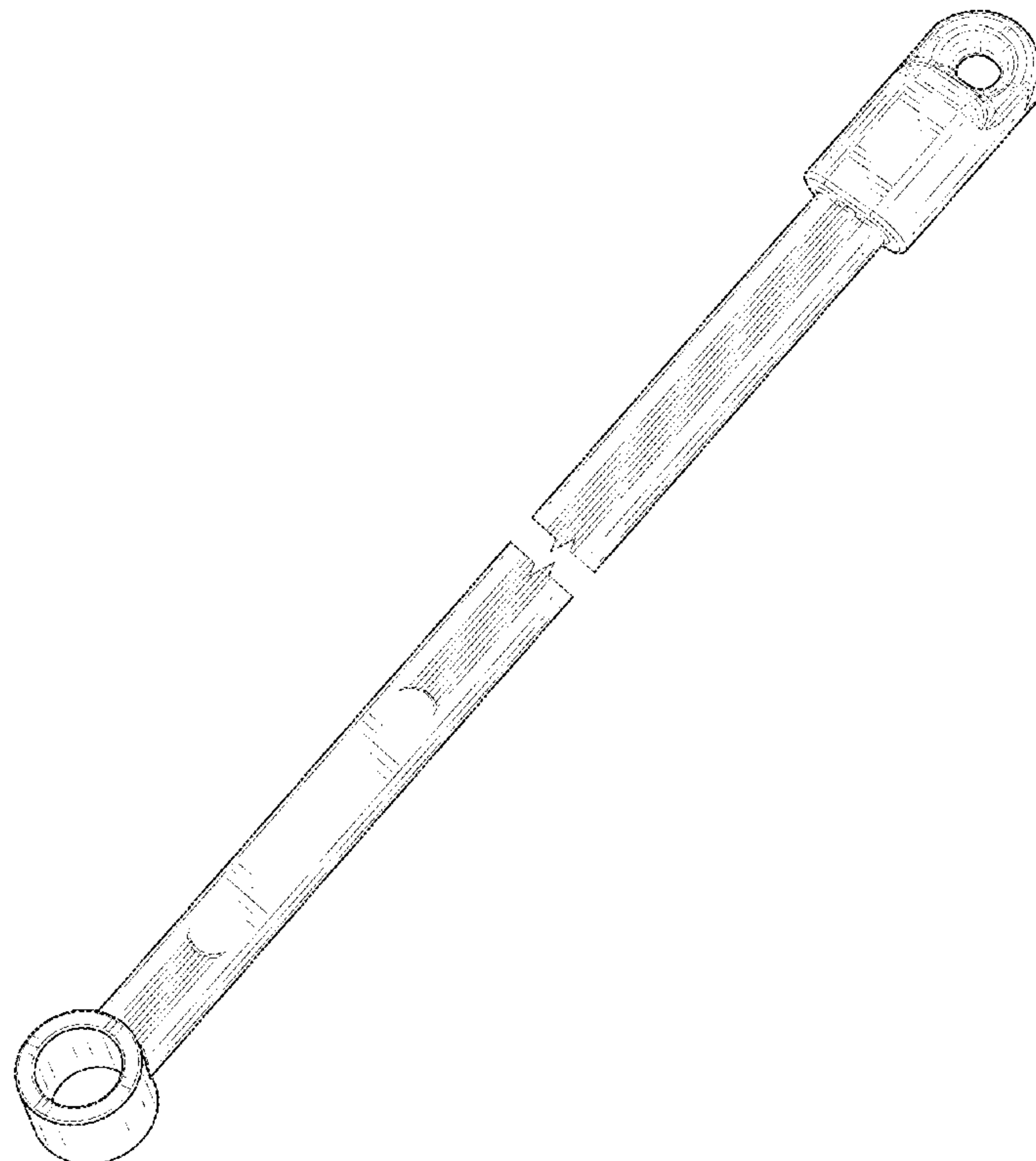
(57) **CLAIM**

The ornamental design for a stylus tether, as shown and described.

DESCRIPTION

FIG. 1 is a perspective view of the stylus tether.
FIG. 2 is a top view of the stylus tether.
FIG. 3 is a bottom view of the stylus tether.
FIG. 4 is a side view of the stylus tether.
FIG. 5 is an end view from the stylus tether stylus holder end.
FIG. 6 is an end view from the end of the stylus tether opposition of the stylus holder end; and,
FIG. 7 is a cross-sectional view through the center of the stylus tether.

1 Claim, 6 Drawing Sheets



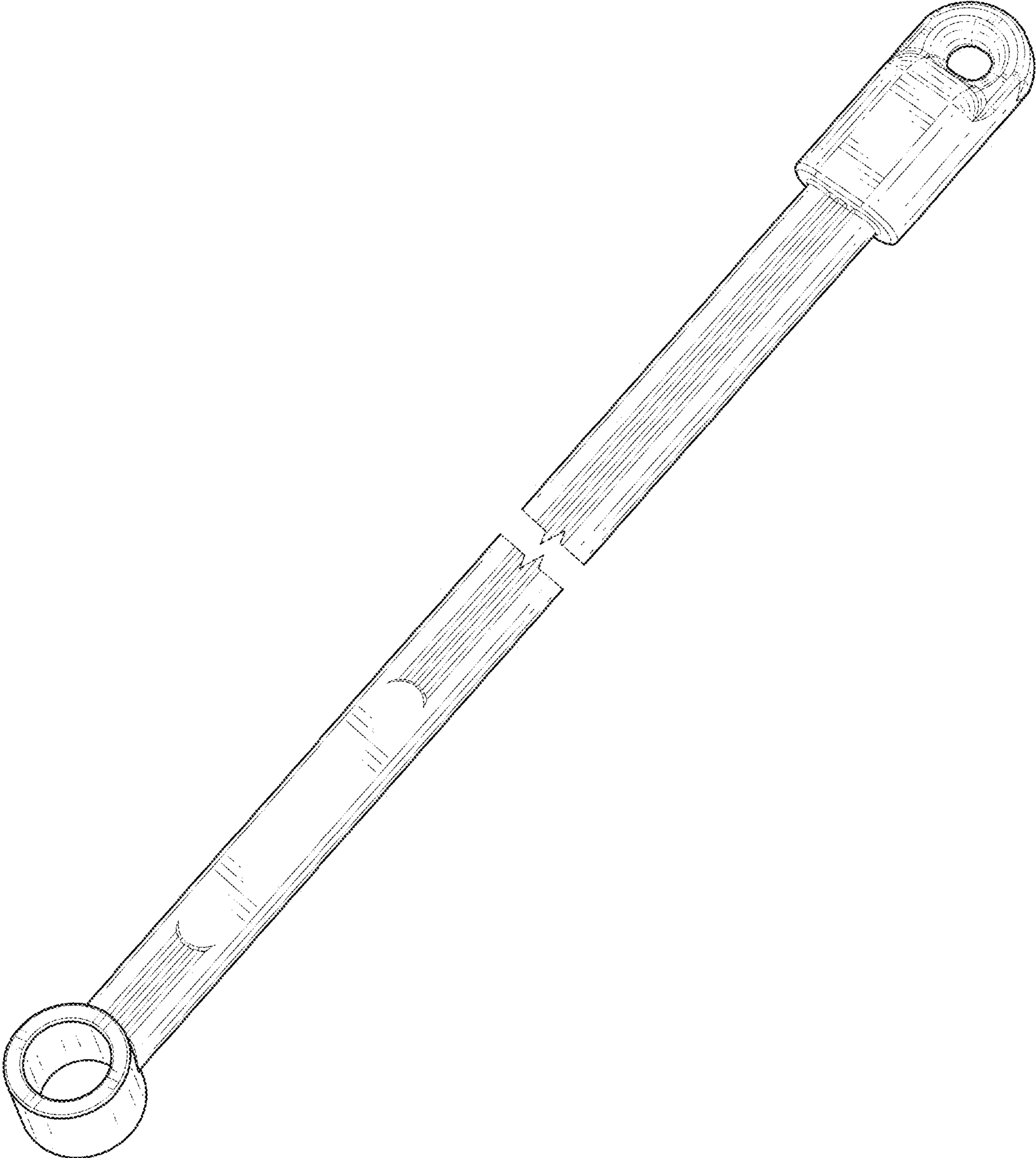


FIG. 1

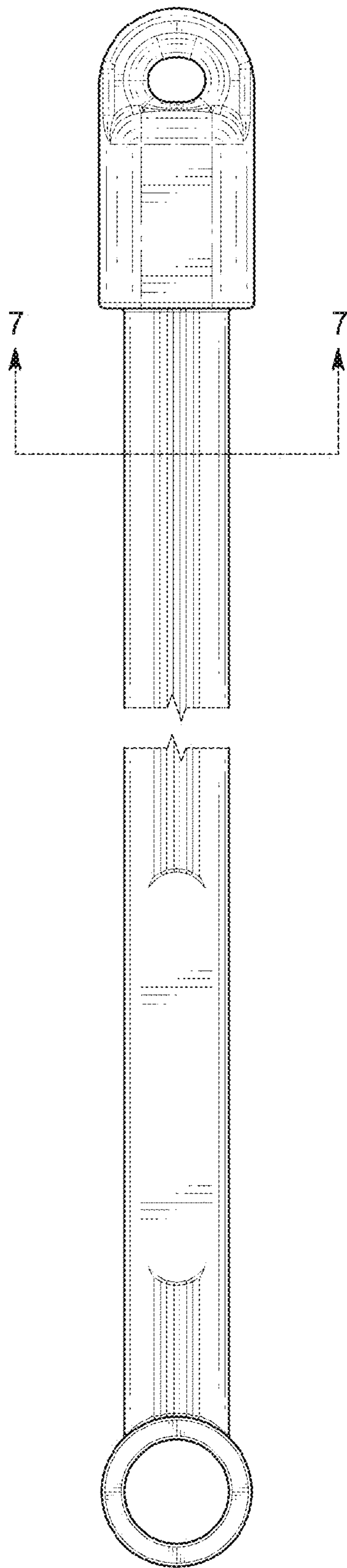


FIG. 2

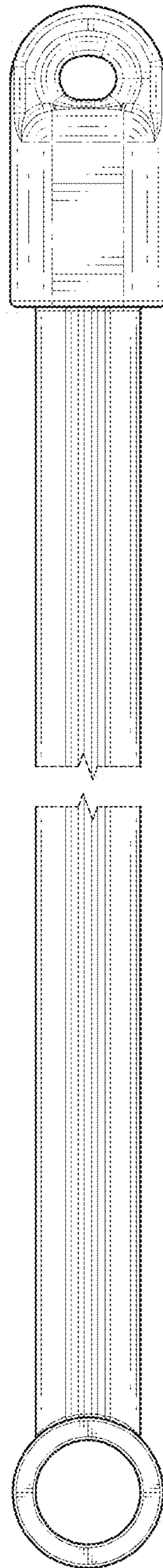


FIG. 3

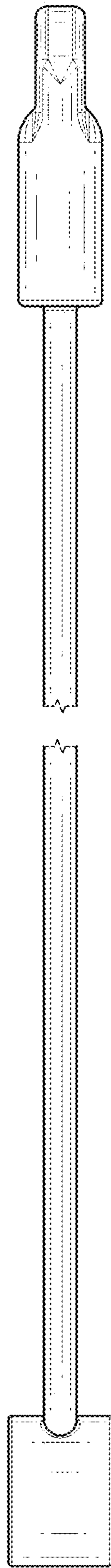


FIG. 4

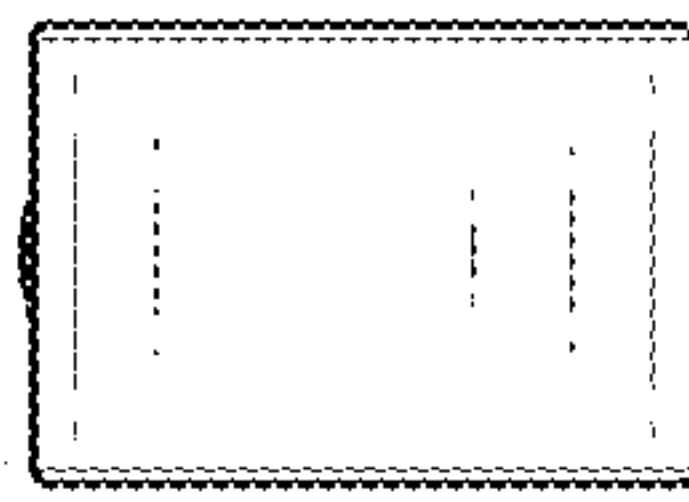


FIG. 5

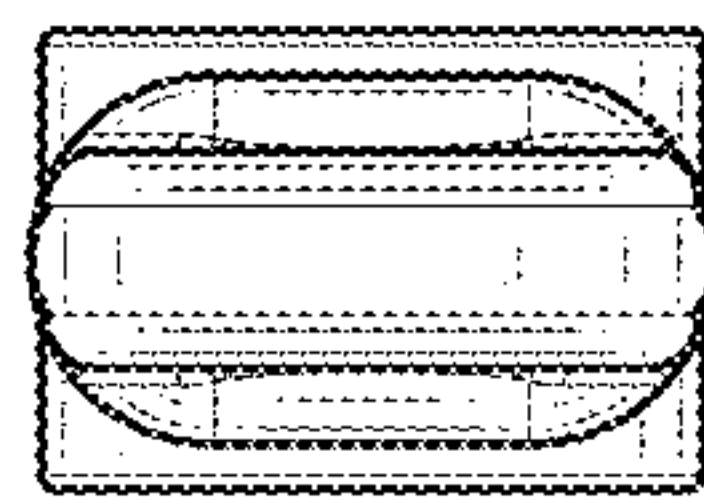


FIG. 6

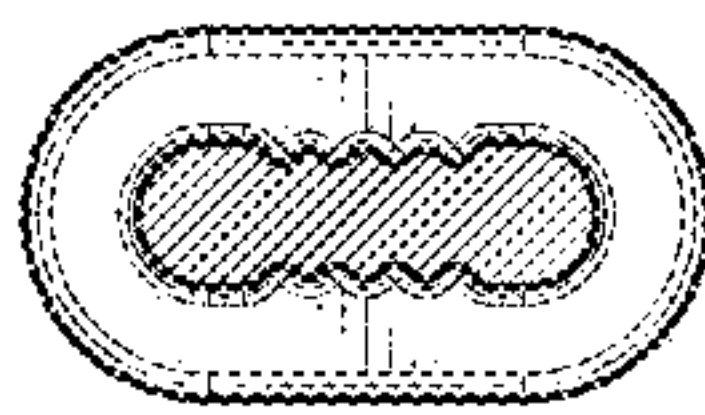


FIG. 7