



US00D989073S

(12) **United States Design Patent** (10) **Patent No.:** **US D989,073 S**
Chen (45) **Date of Patent:** **** Jun. 13, 2023**

(54) **KEYBOARD**

(71) Applicant: **Mujie Chen**, Guangdong (CN)

(72) Inventor: **Mujie Chen**, Guangdong (CN)

(**) Term: **15 Years**

(21) Appl. No.: **29/883,936**

(22) Filed: **Feb. 6, 2023**

(51) **LOC (14) Cl.** **14-02**

(52) **U.S. Cl.**
USPC **D14/392**

(58) **Field of Classification Search**
USPC D14/391–394
CPC G06F 3/0208; G06F 3/0202
See application file for complete search history.

(56) **References Cited**

U.S. PATENT DOCUMENTS

- 4,568,056 A * 2/1986 Lewinski G06F 3/0208
248/677
- 4,773,783 A * 9/1988 Dickie B41J 5/10
400/681
- 5,439,304 A * 8/1995 Phillips B41J 5/105
400/492
- 6,215,420 B1 * 4/2001 Harrison H01H 13/70
341/20
- D459,726 S 7/2002 Kuchler
- D528,117 S * 9/2006 Shimizu D14/391
- D579,450 S * 10/2008 Ozolins D14/391
- D601,148 S * 9/2009 Akita D14/391
- D625,310 S * 10/2010 Andre D14/392
- D628,998 S * 12/2010 Wu D14/391
- D641,021 S * 7/2011 Andre D14/392
- D673,574 S * 1/2013 Gengler D14/455
- D676,048 S * 2/2013 McManigal D14/392
- D678,279 S 3/2013 U-Ping
- D696,667 S * 12/2013 Helwig D14/392
- D716,810 S * 11/2014 Fujita D14/392
- D719,573 S * 12/2014 Schake D14/392
- D754,137 S * 4/2016 Ozolins D14/455
- D760,226 S * 6/2016 Bailey D14/392

- D794,023 S * 8/2017 Morgan D14/392
- D854,013 S * 7/2019 van Hooft D14/392
- D871,409 S * 12/2019 van Hooft D14/392
- 2005/0100382 A1 * 5/2005 Tzeng G06F 3/0208
400/472
- 2012/0188167 A1 * 7/2012 Ting G06F 3/0208
345/168

FOREIGN PATENT DOCUMENTS

- CN 307631956 * 11/2022
- CN 307810948 * 1/2023
- CN 307829648 * 2/2023

OTHER PUBLICATIONS

Xebec keyboard, Xebec website 2023, site visited Feb. 24, 2023, <https://www.thexebec.com/products/xebec>.*

* cited by examiner

Primary Examiner — John R Yeh

(74) *Attorney, Agent, or Firm* — Kunzler Bean & Adamson, PC; Michael Bartholomew

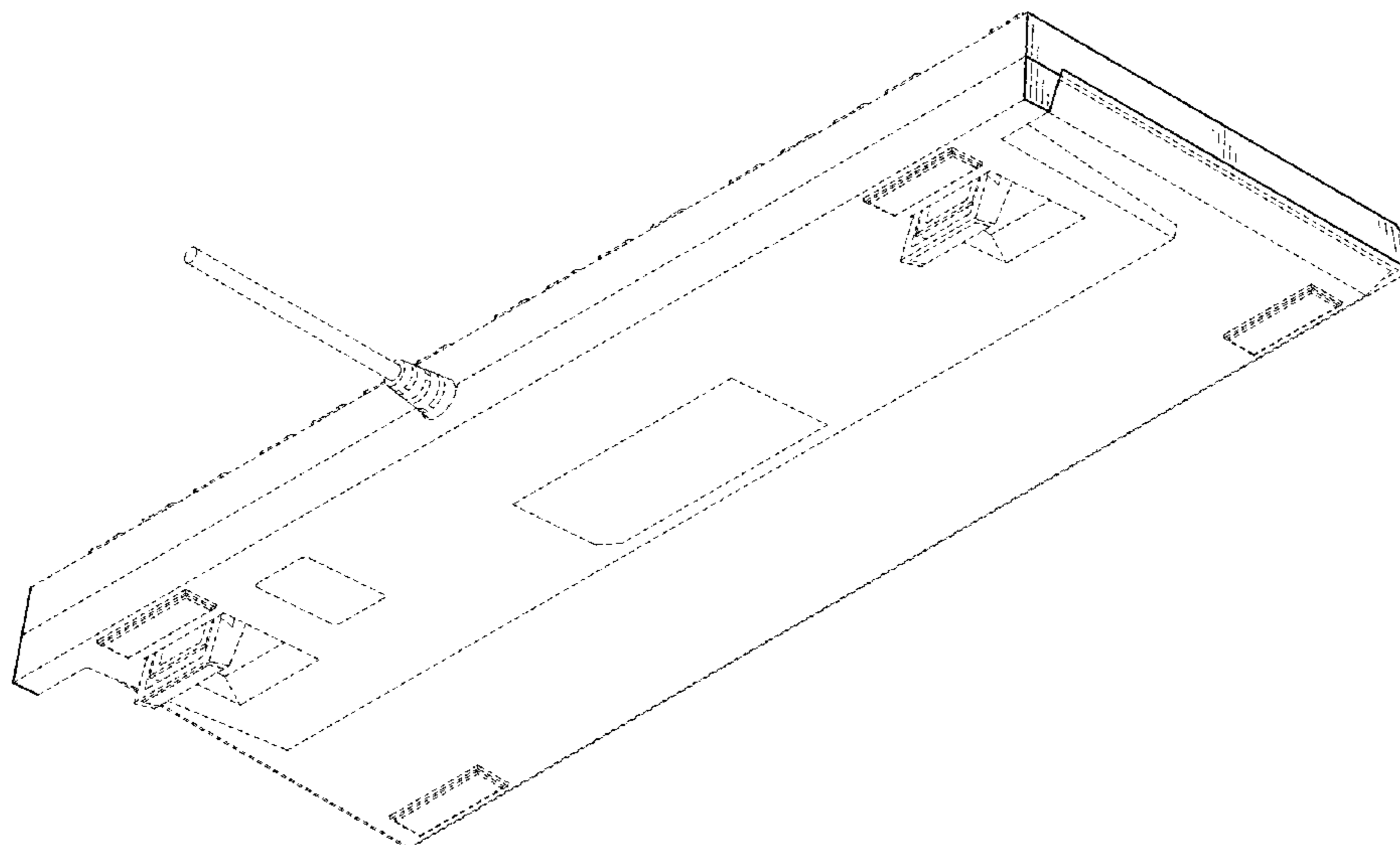
(57) **CLAIM**

The ornamental design for a keyboard, as shown and described.

DESCRIPTION

FIG. 1 is a front, right and top perspective view of a keyboard, showing my design.
 FIG. 2 is a rear, left and bottom perspective view thereof.
 FIG. 3 is a front elevation view thereof.
 FIG. 4 is a rear elevation view thereof.
 FIG. 5 is a left side elevation view thereof.
 FIG. 6 is a right side elevation view thereof.
 FIG. 7 is a top plan view thereof; and,
 FIG. 8 is a bottom plan view thereof.
 The broken lines depict portions of the keyboard that form no part of the claimed design.

1 Claim, 8 Drawing Sheets



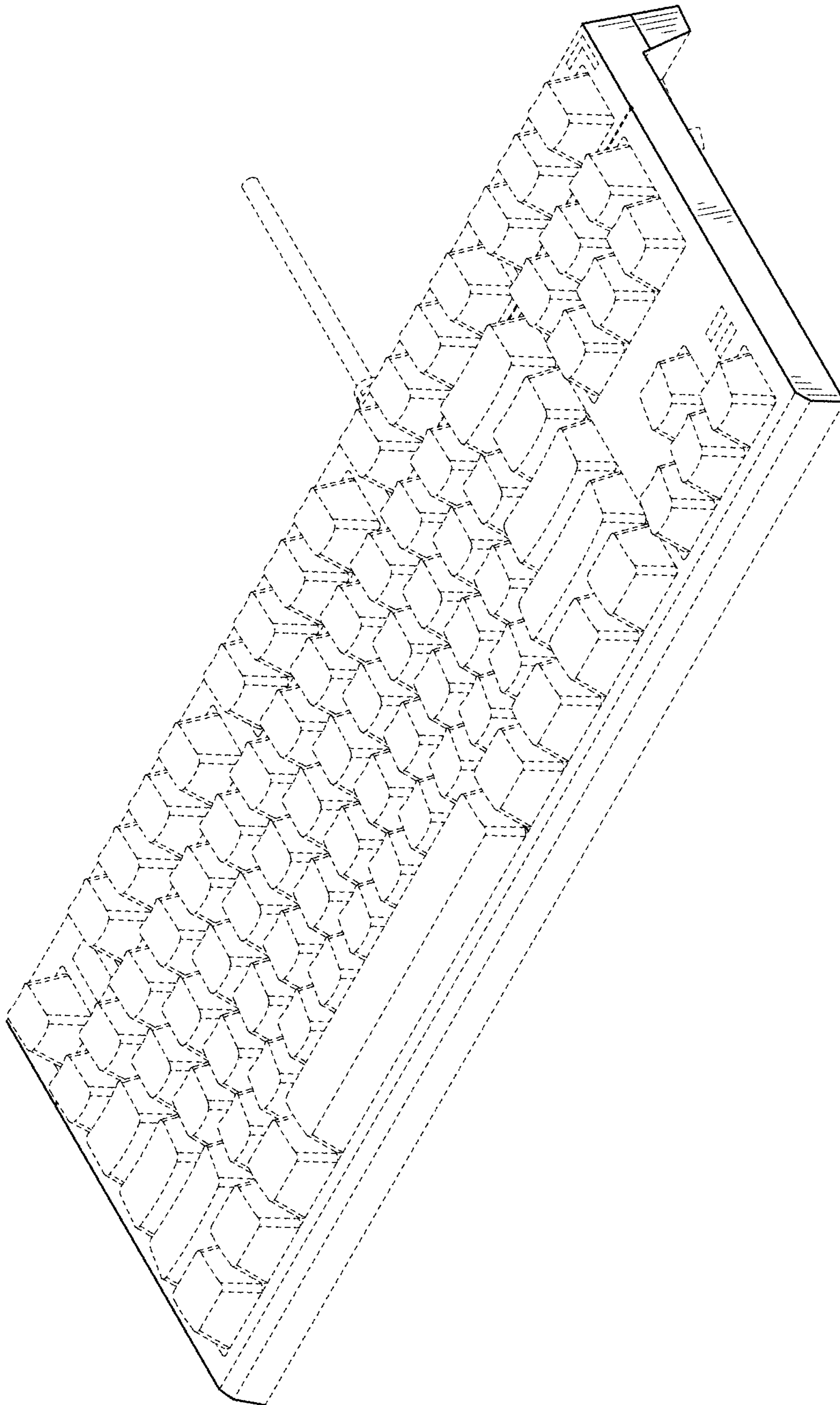


FIG. 1

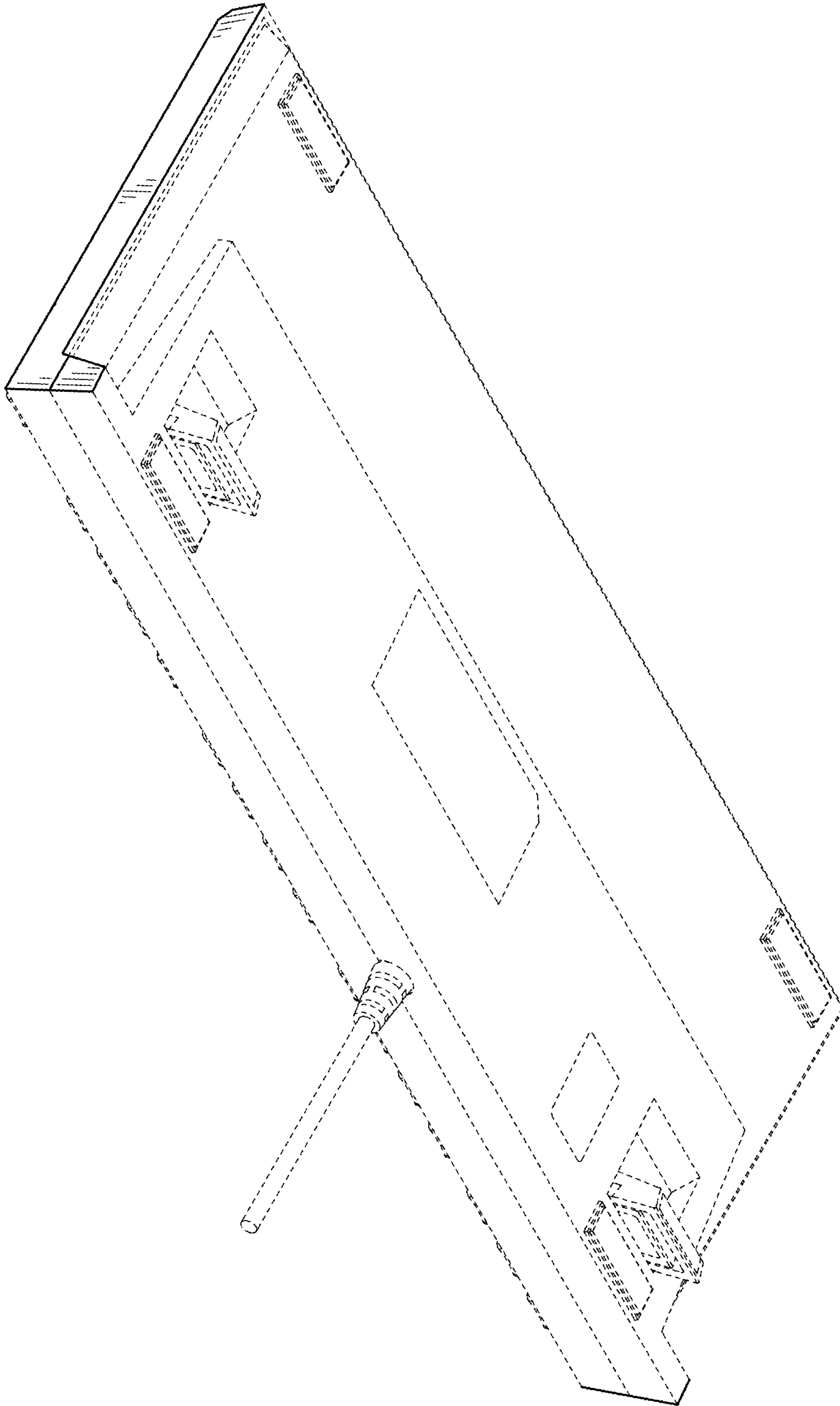


FIG. 2

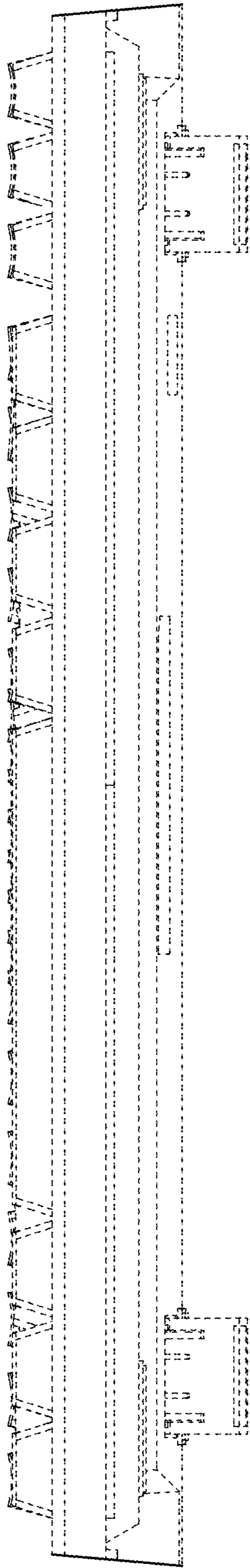


FIG. 3

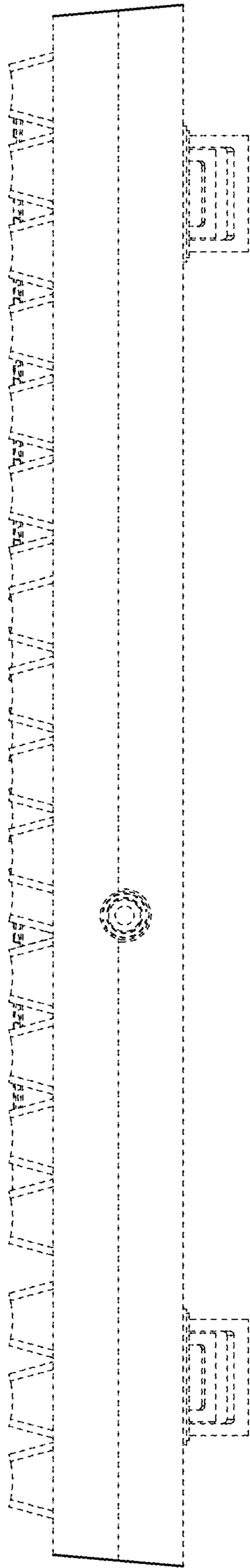


FIG. 4

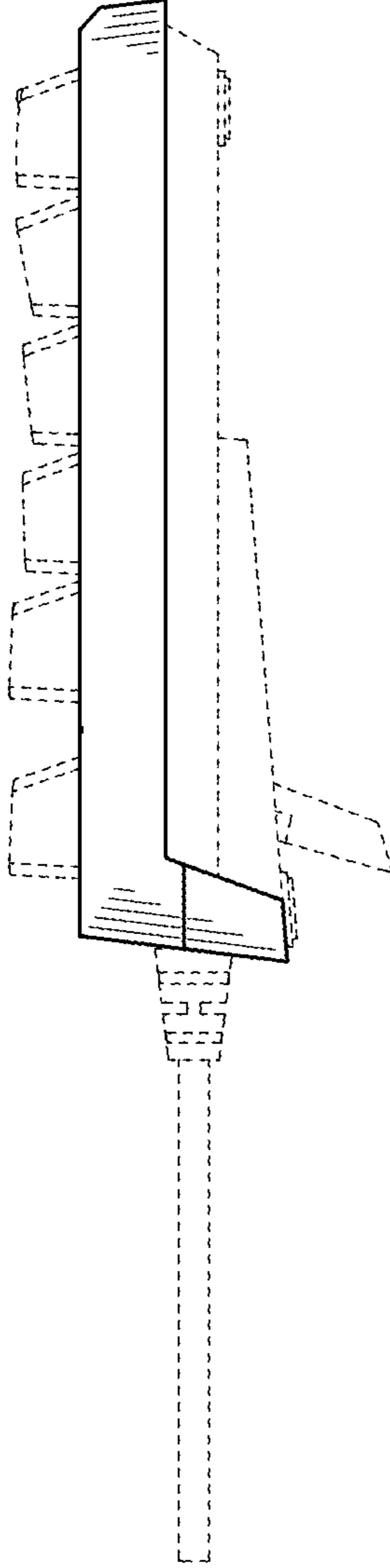


FIG. 5

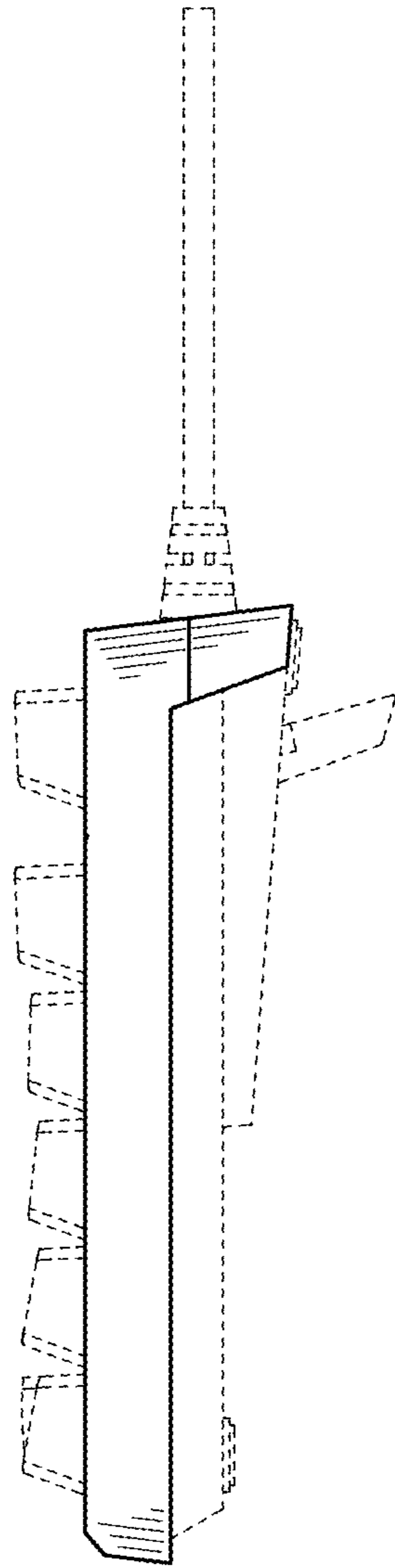


FIG. 6

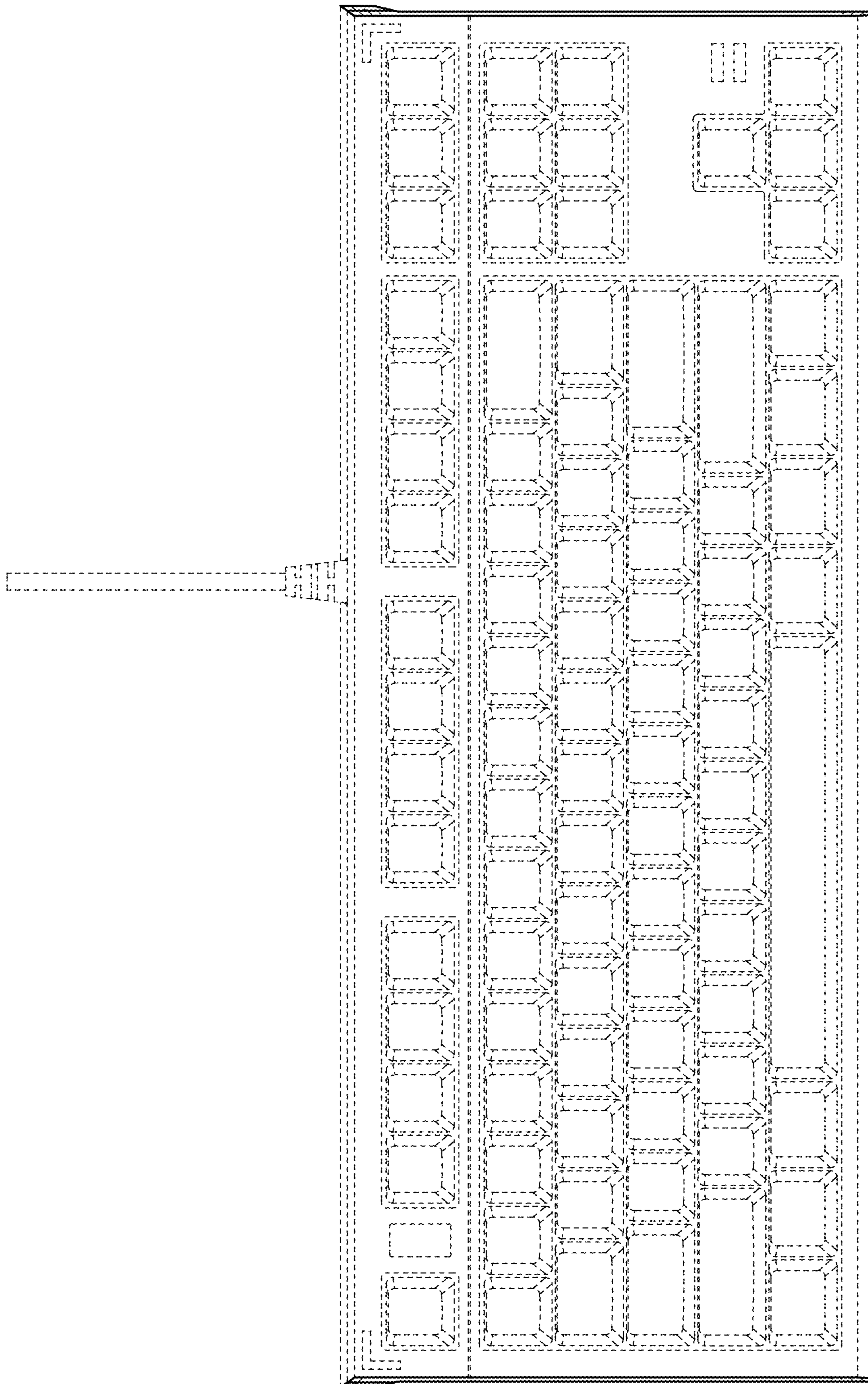


FIG. 7

